

[54] FIREFIGHTING NOZZLE

[76] Inventors: Darrell Graf, P.O. Box 7512, Fargo, N. Dak. 58109; Kevin S. Bosche, 812 Northwestern Dr., Grand Forks, N. Dak. 58201

[**] Term: 14 Years

[21] Appl. No.: 293,654

[22] Filed: Jan. 5, 1989

[52] U.S. Cl. D23/213

[58] Field of Search D23/213, 223-229; 239/391-392, 394, 396, 289, 525, 561-562, 436, 443-449

[56] References Cited

U.S. PATENT DOCUMENTS

D. 113,439 2/1939 Reinecke D23/213

D. 218,824	9/1970	Lawrence	D23/213
1,745,138	1/1930	Alten	239/396
1,942,395	1/1934	Bersted	239/391
2,575,222	11/1951	Isenberg	239/396 X
2,761,662	9/1956	Goodrie	D23/213 X

Primary Examiner—Susan J. Lucas
Assistant Examiner—M. H. Tung
Attorney, Agent, or Firm—Faegre & Benson

[57] CLAIM

The ornamental design for a firefighting nozzle, as shown and described.

DESCRIPTION

FIG. 1 is a bottom, side perspective view of a firefighting nozzle showing our new design; FIG. 2 is a top, side perspective view thereof; FIG. 3 is a side elevational view thereof, a portion cut away for clarity of illustration.

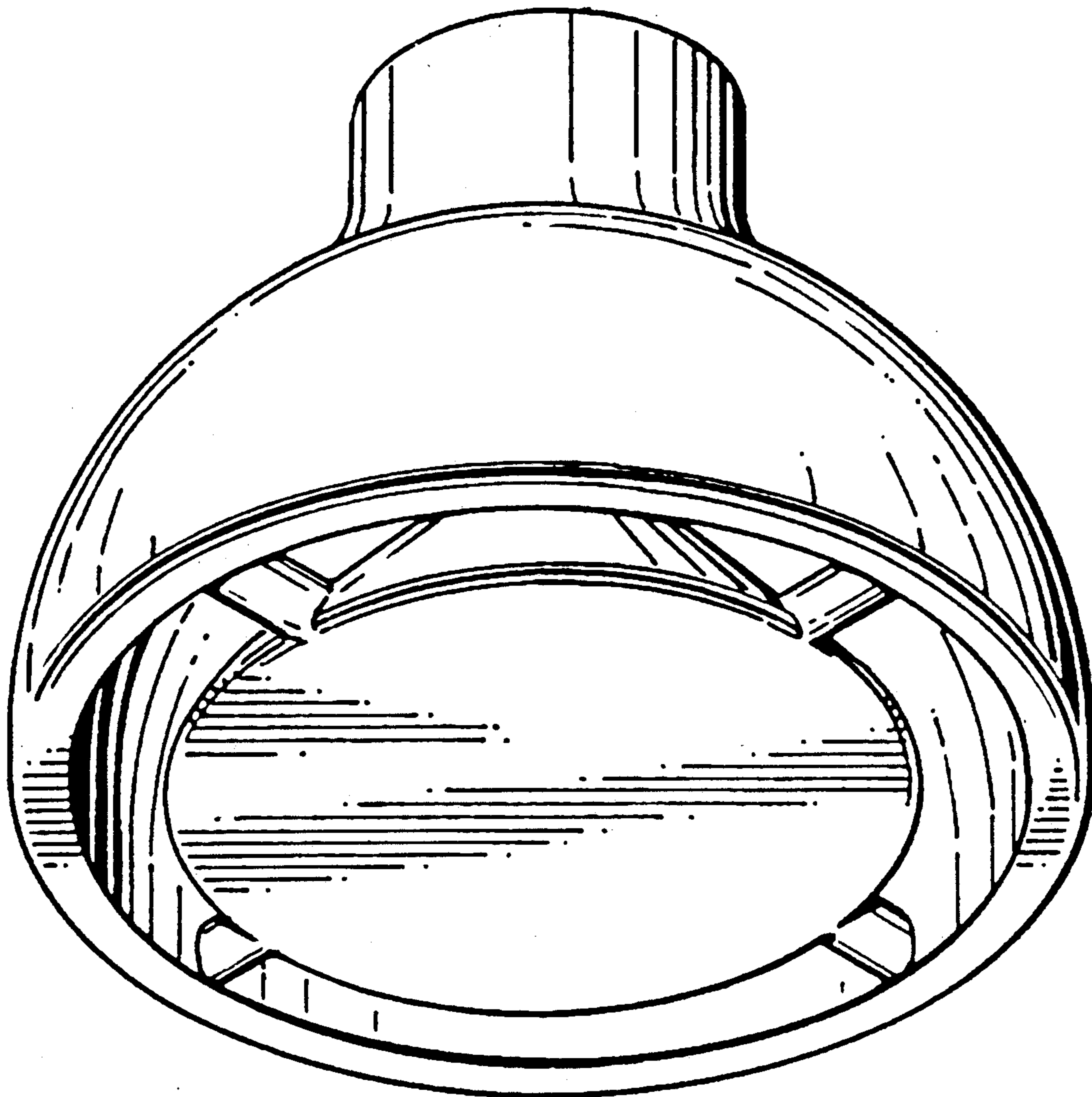


Fig. 1

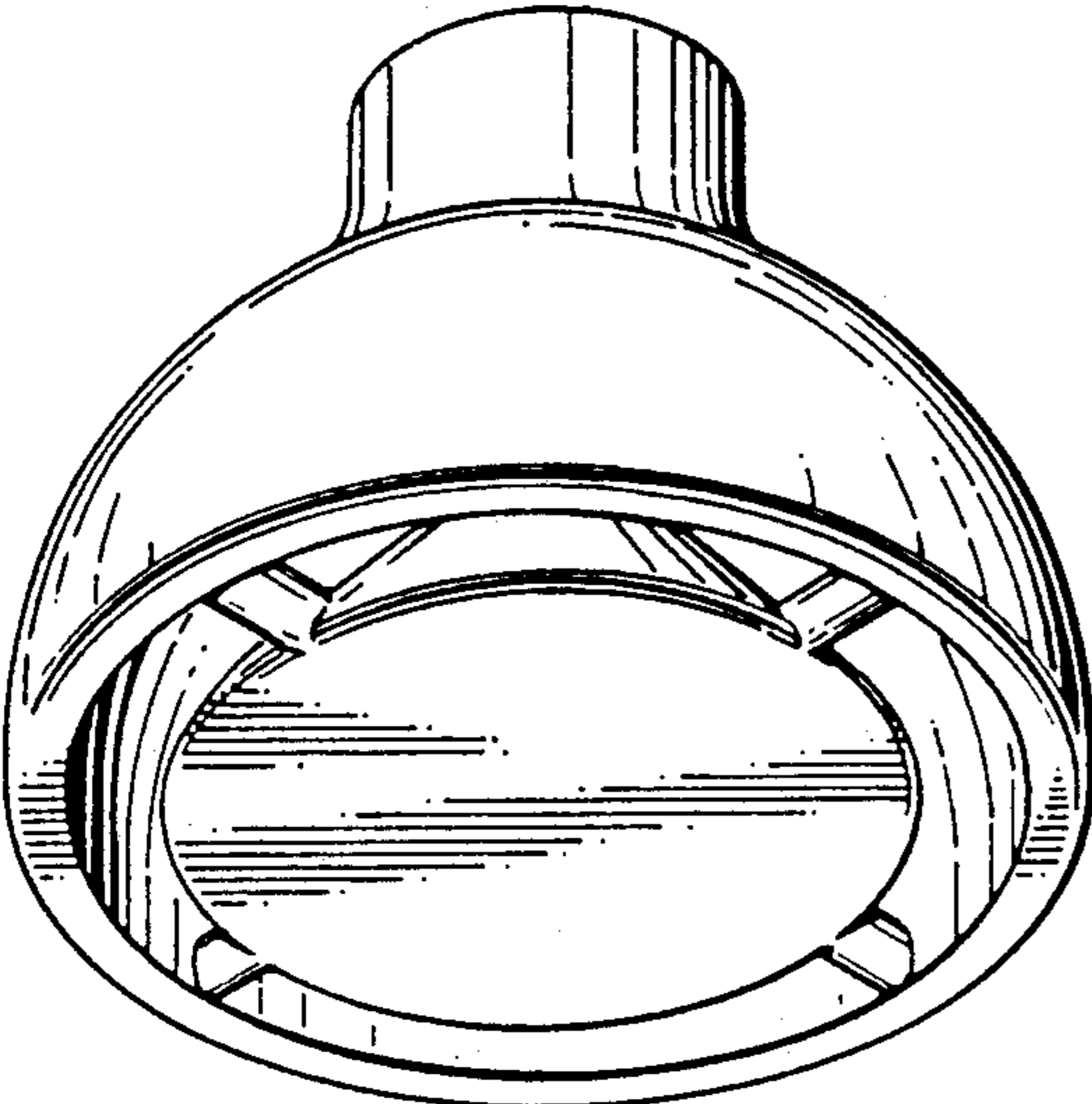


Fig. 2

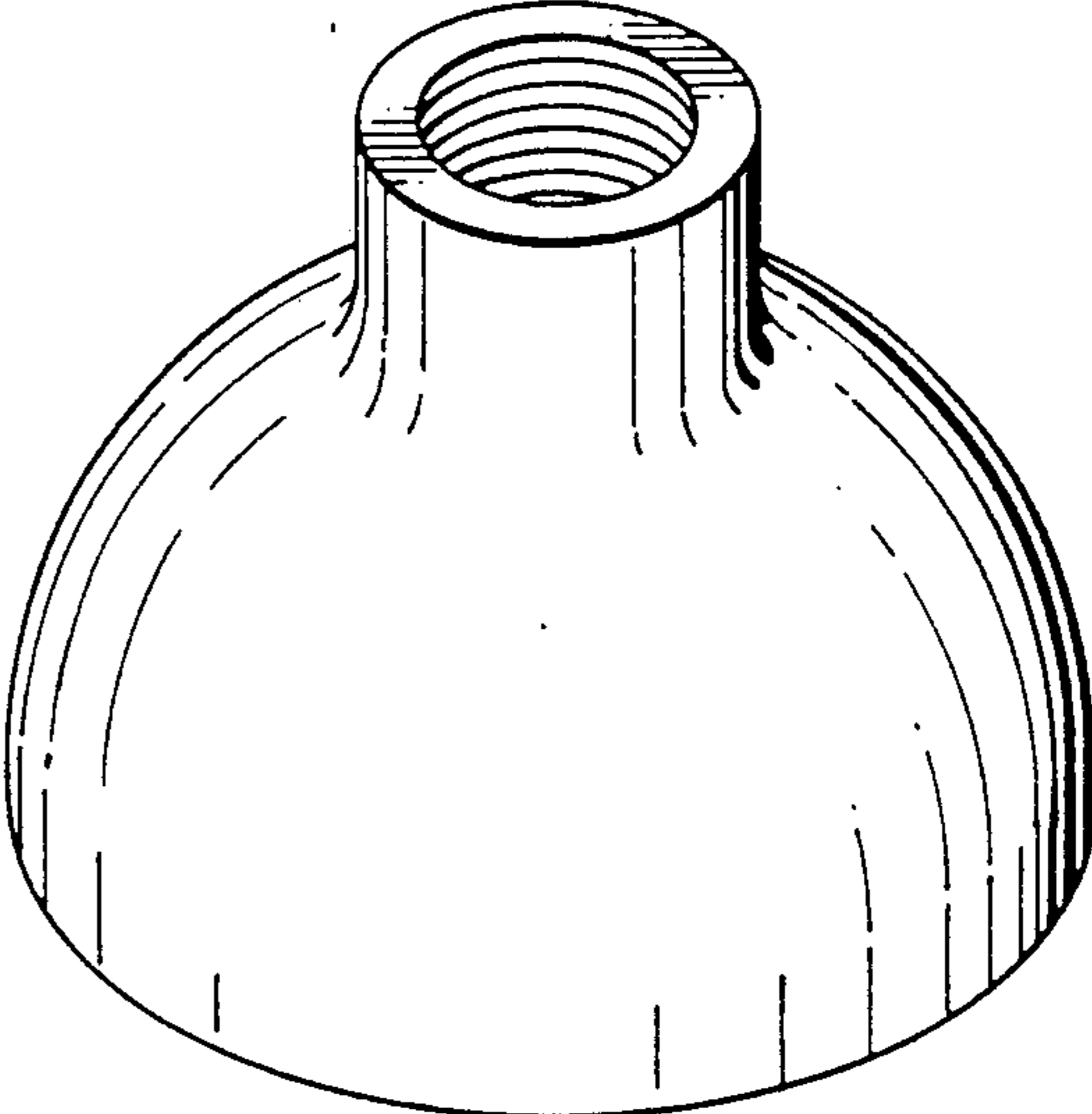


Fig. 3

