

[54] **GARDEN WATERING-CAN**

[75] **Inventor: Maurizio Mattei, Macerata, Italy**

[73] **Assignee: Fratelli Guzzine S.p.A., Recanati, Italy**

[**] **Term: 14 Years**

[21] **Appl. No.: 548,763**

[22] **Filed: Jul. 6, 1990**

[30] **Foreign Application Priority Data**

Jan. 9, 1990 [IT] Italy 20 418 B/90

[52] **U.S. Cl. D23/212**

[58] **Field of Search D23/211-212;**
D7/300-302, 514-516, 519; 220/85 SP;
222/372, 383, 384-385, 465.1, 468, 478, 481,
565, 567, 571, 572-573; 215/1 R, 1 C;
239/375-379, 289, 333, 443, 446

[56] **References Cited**

U.S. PATENT DOCUMENTS

22,489 5/1893 Good D23/211

D. 251,129 2/1979 Behling D23/212

OTHER PUBLICATIONS

Pottery Barn Catalogue items watering cans, p. 10.
Potpourri Catalogue item watering can, p. 52, Autumn
1988.

Primary Examiner—Susan J. Lucas
Assistant Examiner—M. H. Tung
Attorney, Agent, or Firm—Hedman, Gibson, Costigan &
Hoare

[57] **CLAIM**

The ornamental design for a garden watering-can, as
shown and described.

DESCRIPTION

FIG. 1 is a top perspective view of a garden watering-
can showing my new design;
FIG. 2 is a side elevational view thereof; the side oppo-
site is identical to the side shown;
FIG. 3 is a top plan view thereof;
FIG. 4 is a bottom plan view thereof;
FIG. 5 is a front elevational view thereof;
FIG. 6 is a rear elevational view thereof.

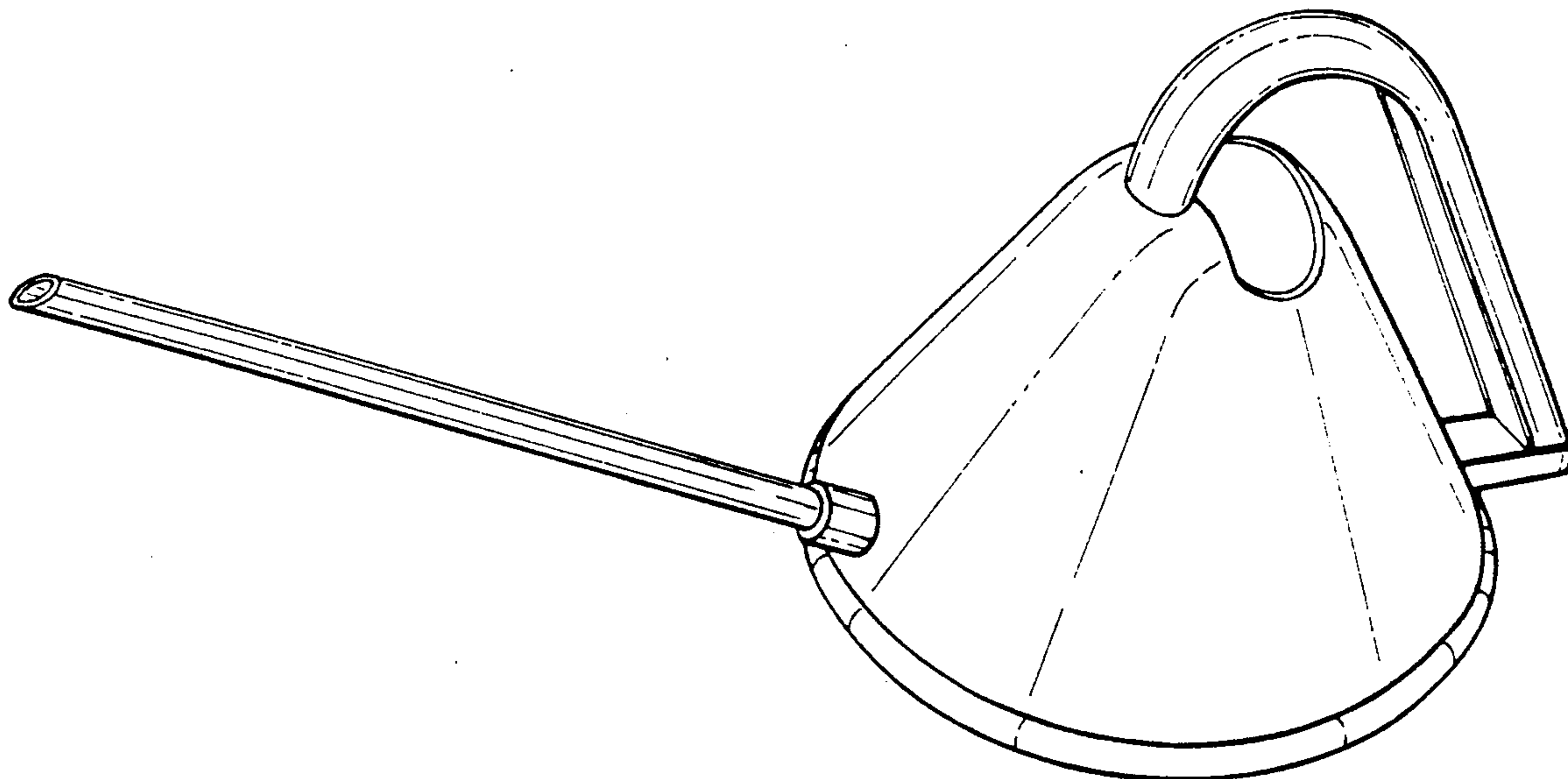


Fig.1

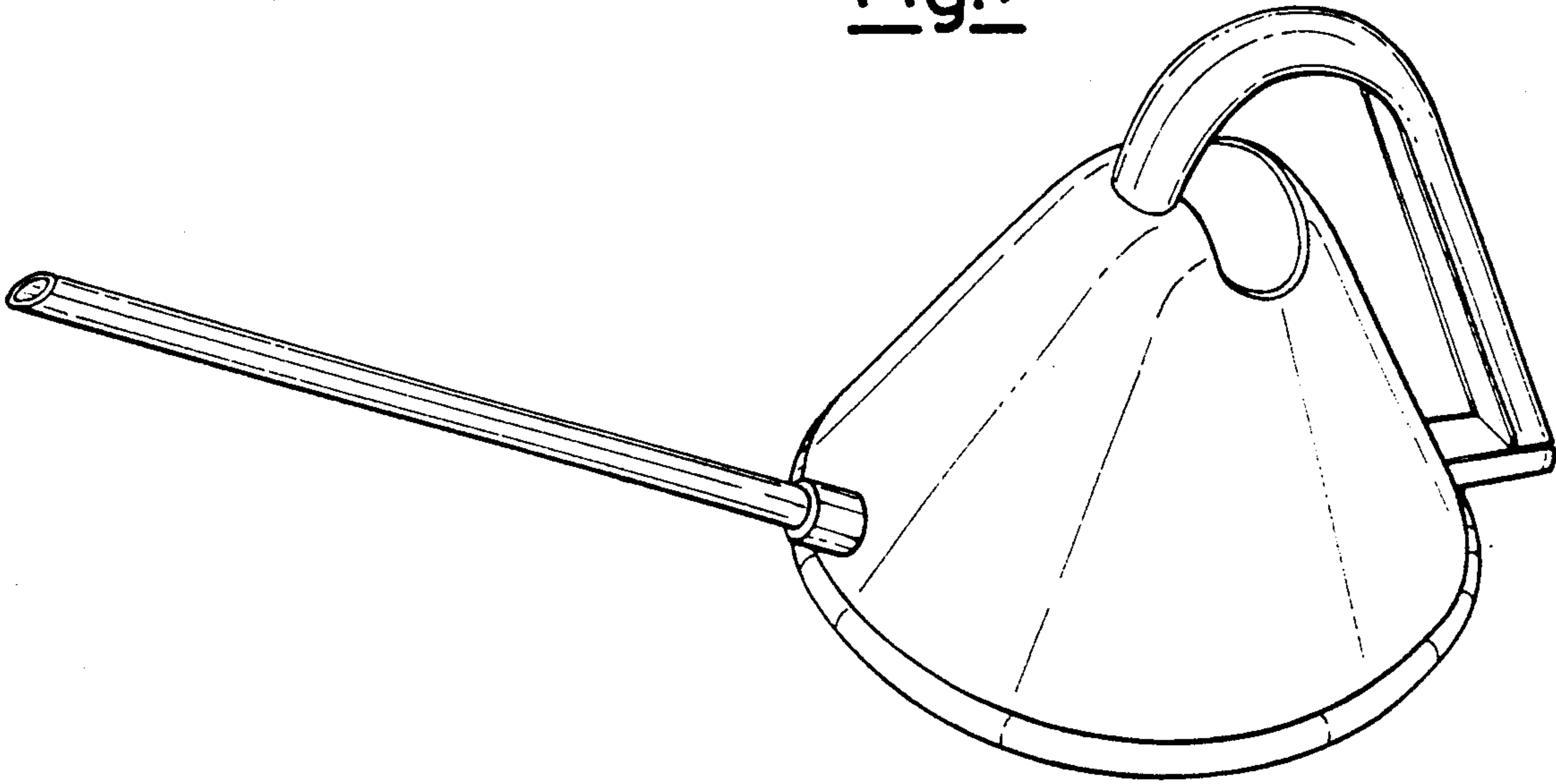


Fig.2

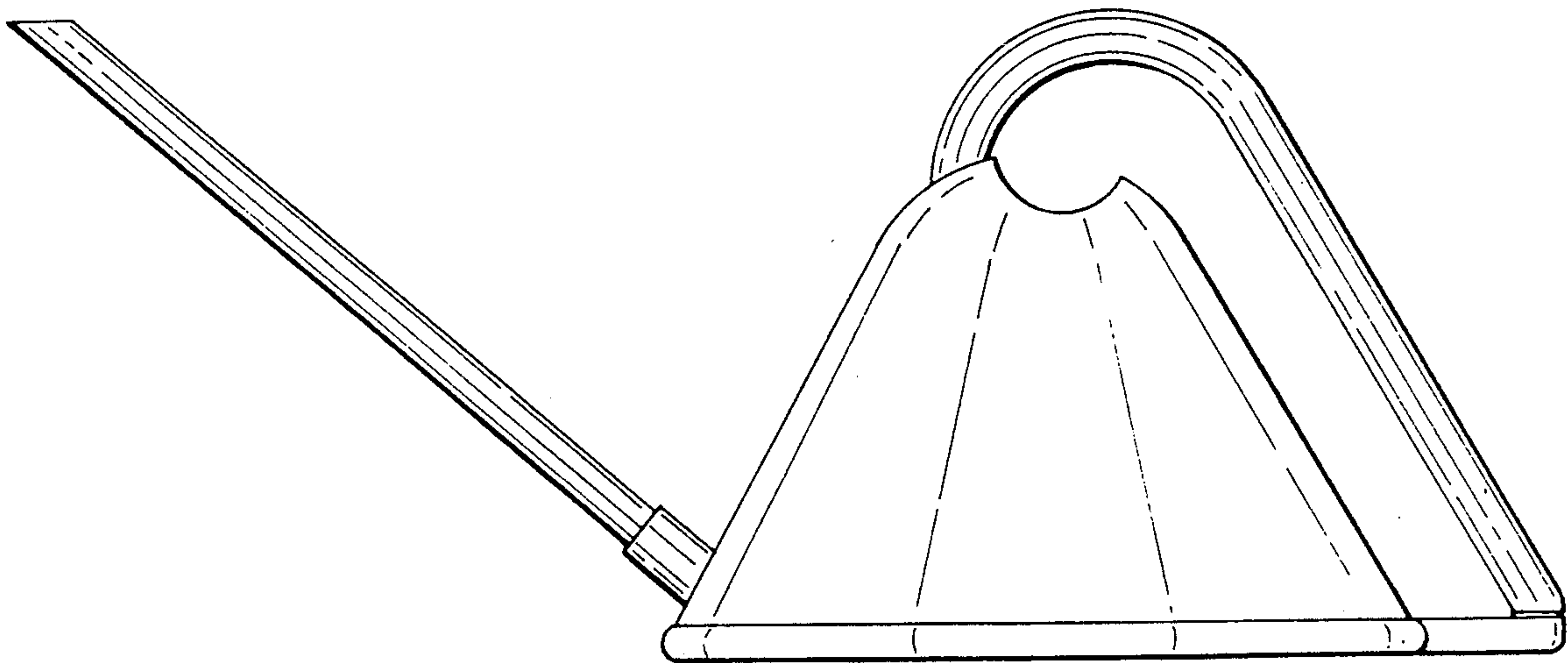


Fig.3

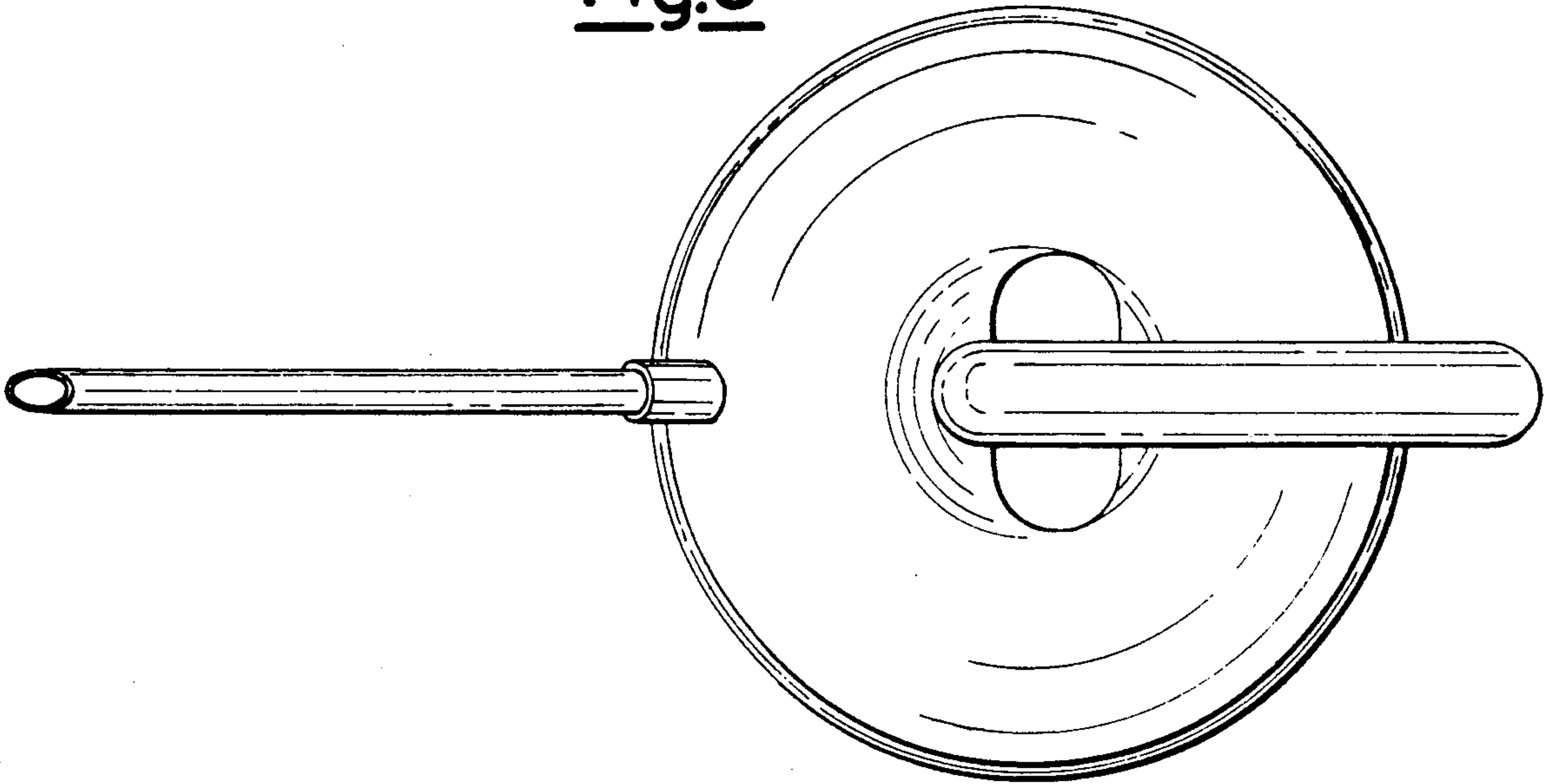


Fig.4

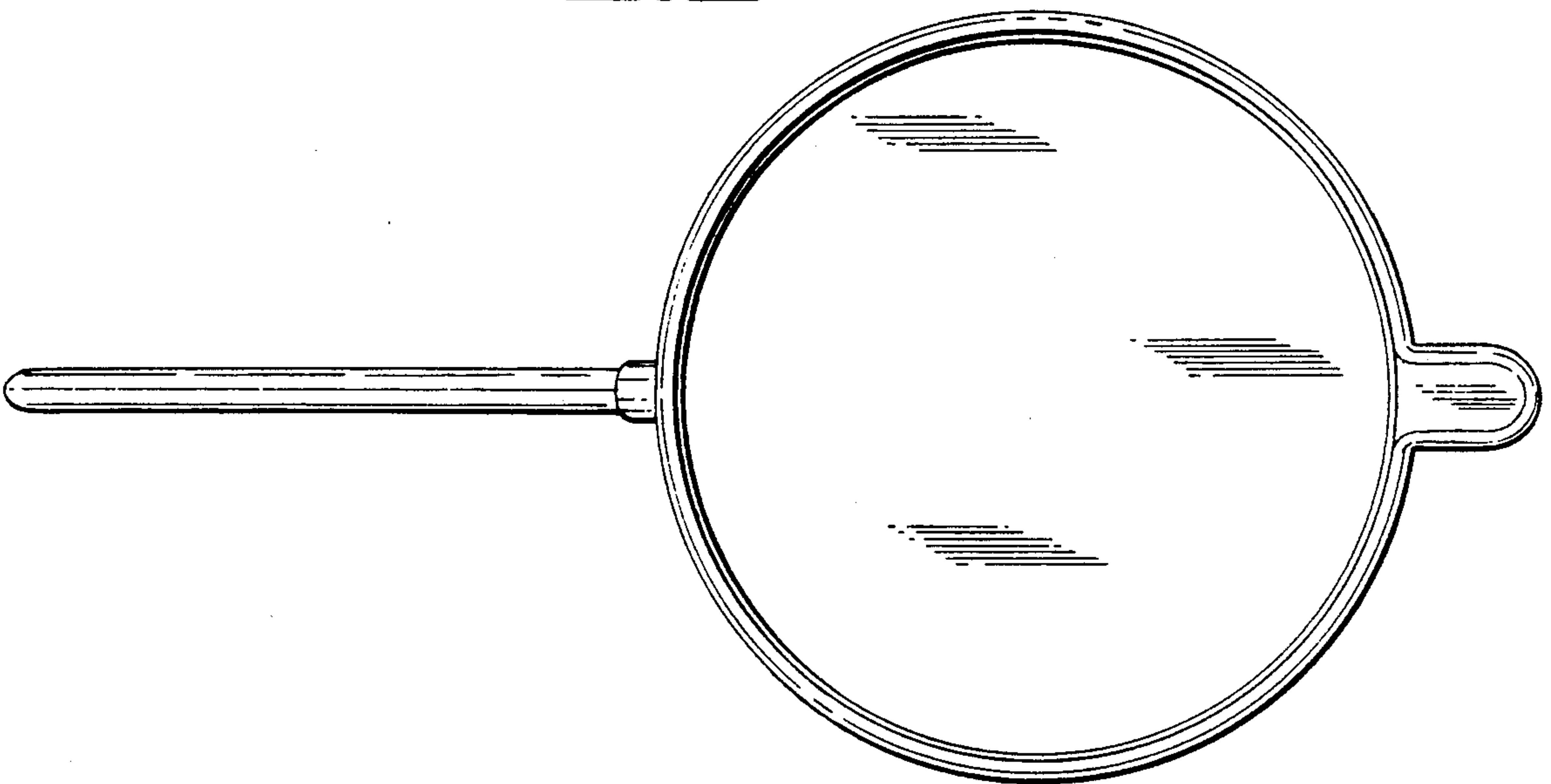


Fig. 5

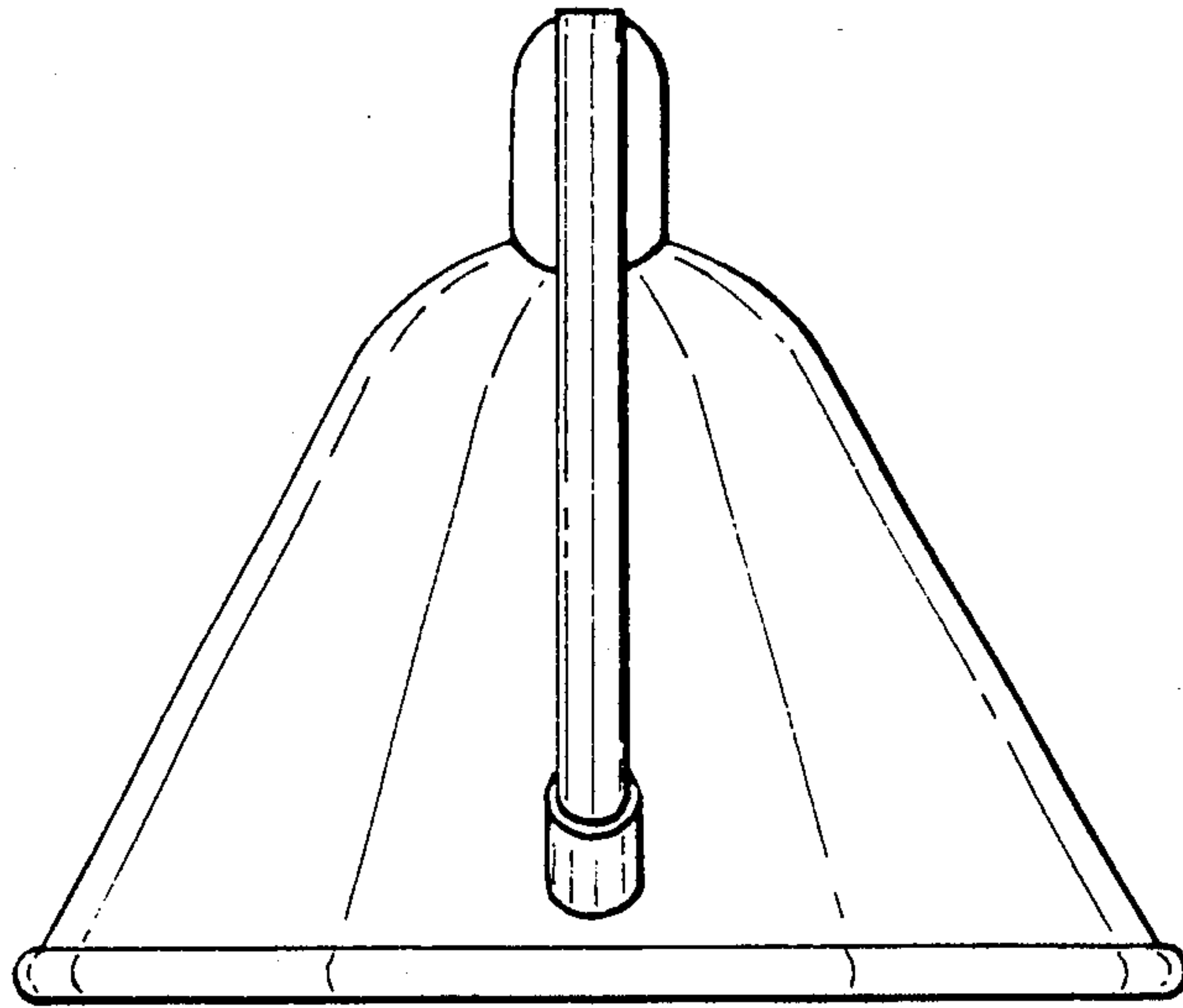


Fig. 6

