

# United States Patent [19]

Antonious

[11] Patent Number: **Des. 320,427**

[45] Date of Patent: **\*\* Oct. 1, 1991**

[54] **CHIPPER TYPE IRON GOLF CLUB HEAD**

[76] Inventor: **Anthony J. Antonious**, 205 E. Joppa Rd., Towson, Md. 21204

[\*\*] Term: **14 Years**

[21] Appl. No.: **299,516**

[22] Filed: **Jan. 23, 1989**

[52] U.S. Cl. .... **D21/220; D21/219**

[58] Field of Search ..... **D21/214-220; 273/167-175, 164**

[56] **References Cited**

**U.S. PATENT DOCUMENTS**

- |            |         |           |       |         |
|------------|---------|-----------|-------|---------|
| D. 285,956 | 9/1986  | Shearer   | ..... | D21/218 |
| D. 289,912 | 5/1987  | Cotchonis | ..... | D21/219 |
| D. 311,763 | 10/1990 | Antonious | ..... | D21/220 |

1,531,821 3/1925 Scott ..... D21/217

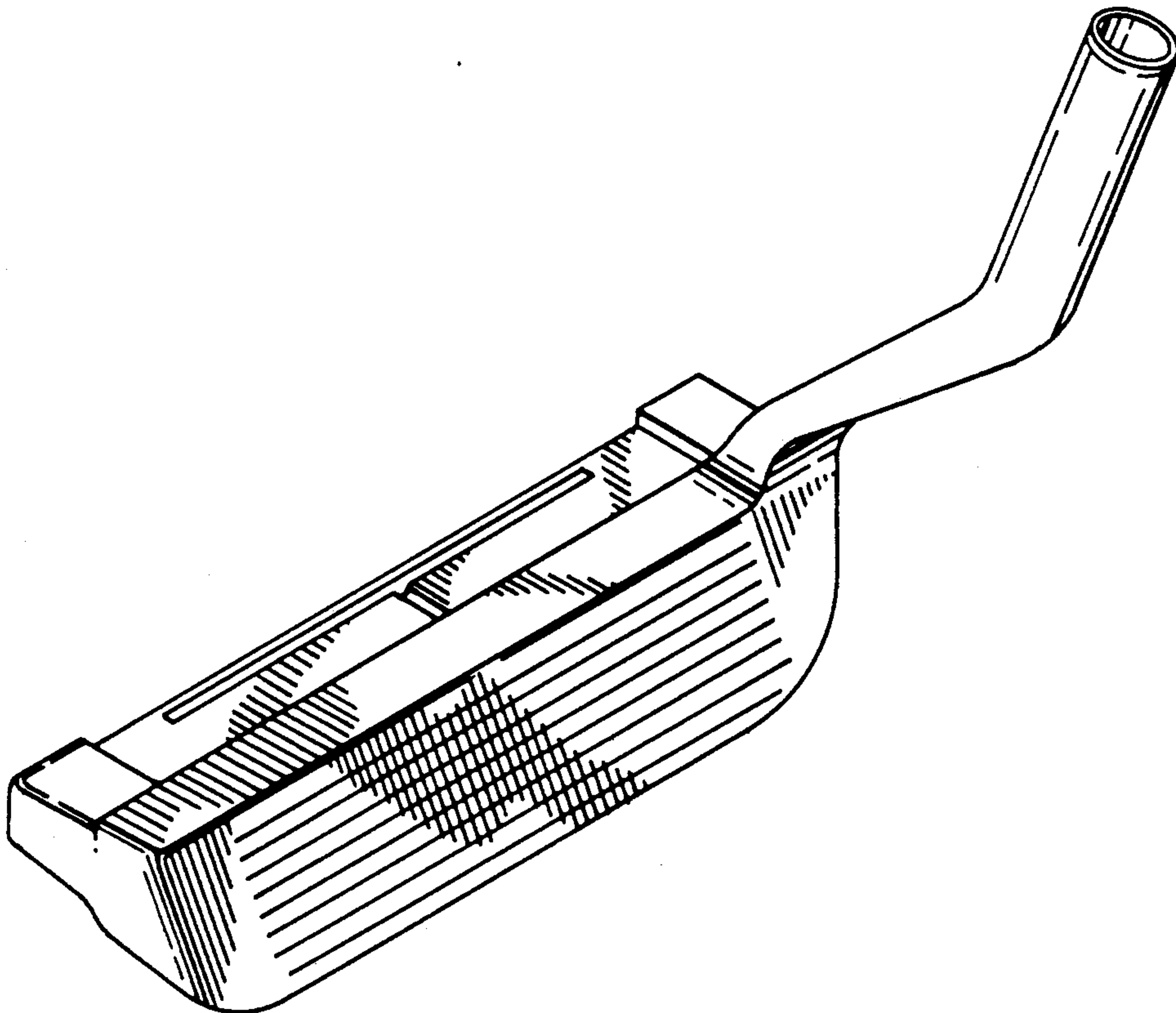
*Primary Examiner*—Melvin B. Feifer  
*Attorney, Agent, or Firm*—N. J. Aquilino

[57] **CLAIM**

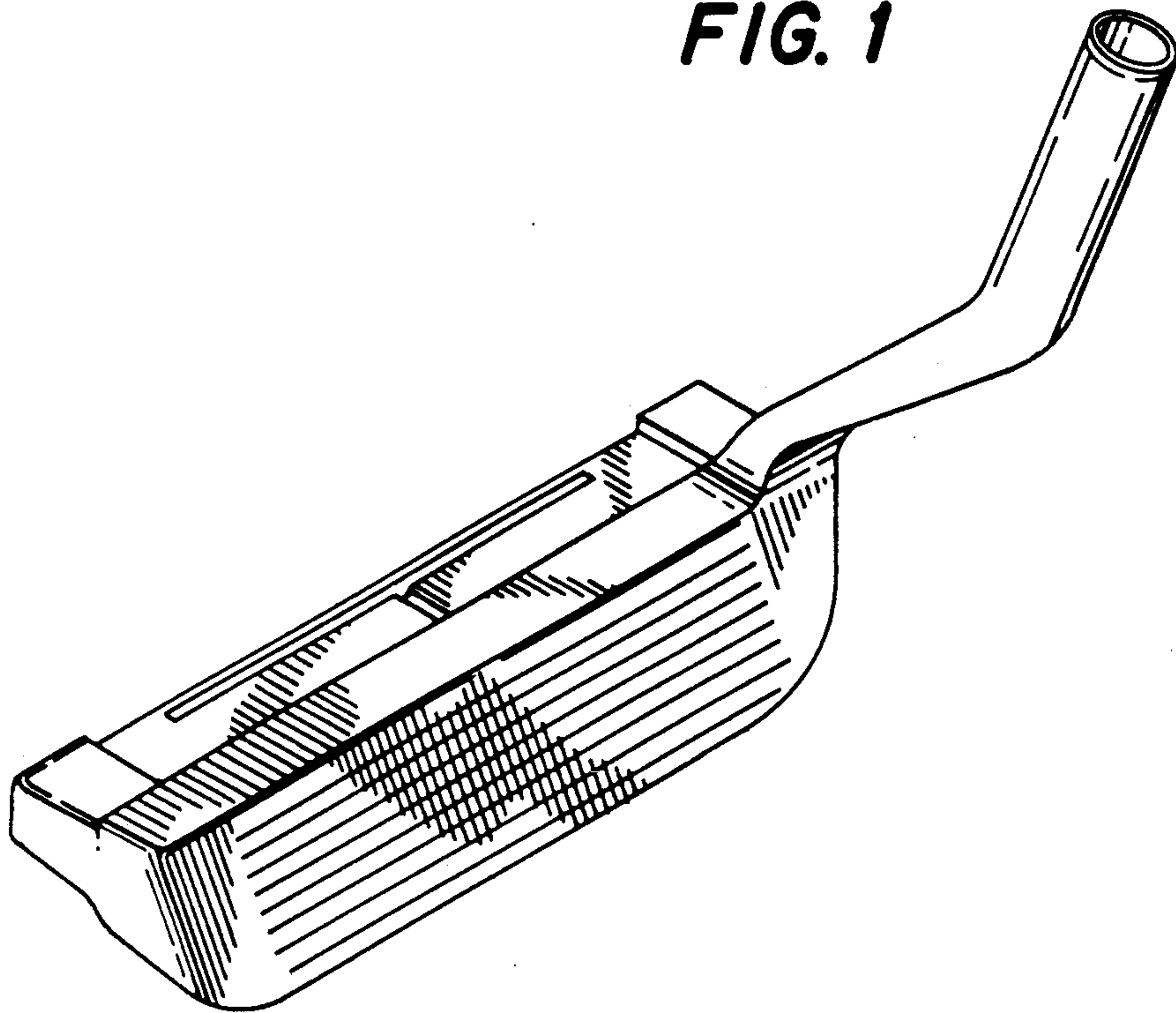
The ornamental design for a chipper type iron golf club head, as shown and described.

**DESCRIPTION**

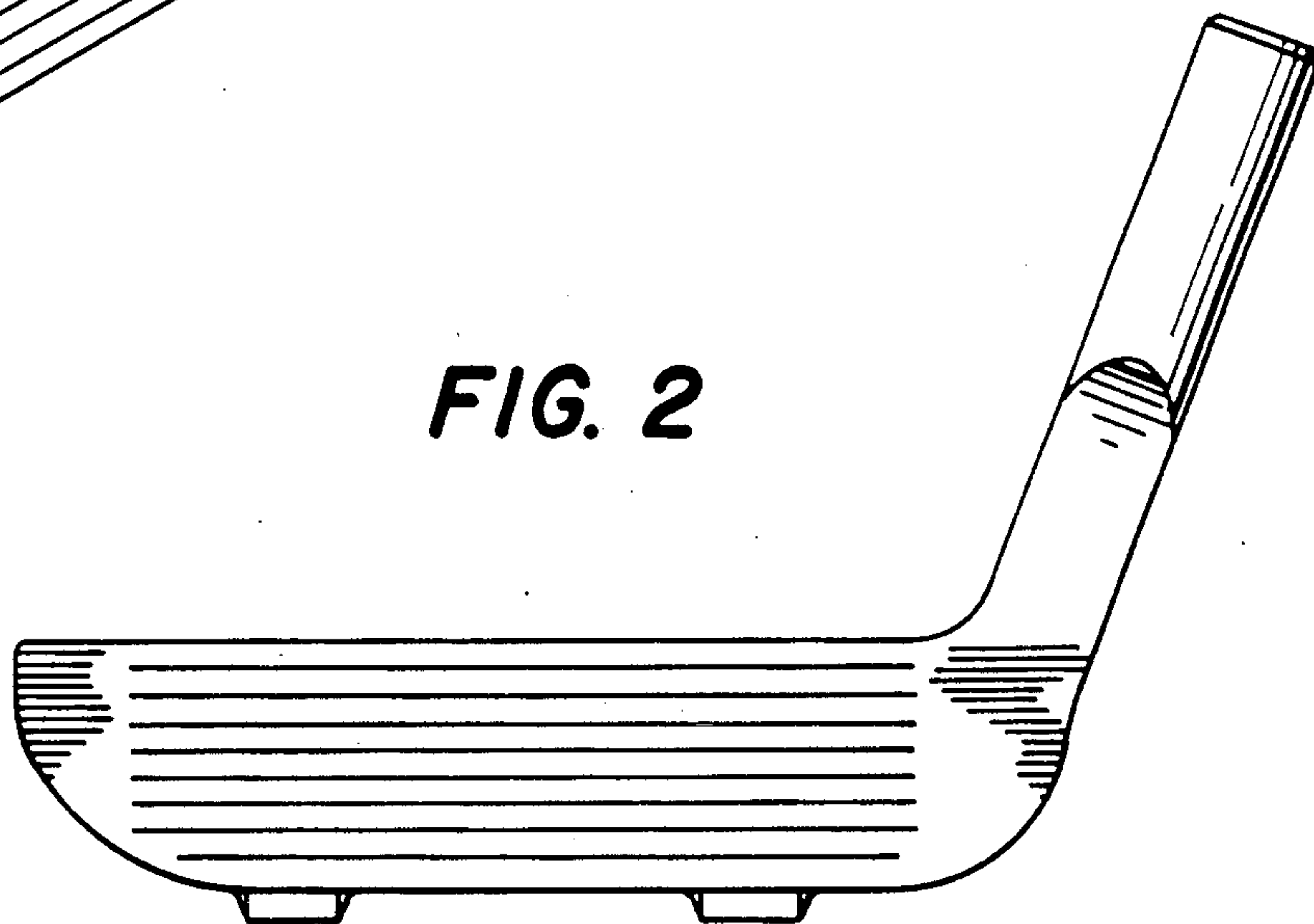
FIG. 1 is a perspective view for a chipper type iron golf club head showing my new design;  
FIG. 2 is a front elevational view thereof;  
FIG. 3 is a top plan view thereof;  
FIG. 4 is a rear elevational view thereof;  
FIG. 5 is an end elevational view thereof;  
FIG. 6 is an end elevational view taken from the opposite side of FIG. 5;  
FIG. 7 is a bottom view thereof.



**FIG. 1**



**FIG. 2**



**FIG. 3**

