

[54] GOLF CLUB HEAD

[76] Inventor: Anthony J. Antonious, 205 E. Joppa Rd., Towson, Md. 21204

[**] Term: 14 Years

[21] Appl. No.: 324,343

[22] Filed: Mar. 16, 1989

[52] U.S. Cl. D21/217

[58] Field of Search D21/214-220; 273/164, 167-175

[56] References Cited

U.S. PATENT DOCUMENTS

D. 202,715	11/1965	Solheim	D21/219
D. 207,228	3/1967	Solheim	D21/219
D. 306,334	2/1990	Alcala	D21/219

OTHER PUBLICATIONS

Golf World, Jul. 22, 1988, p. 34, lower left, putter, TPM Gold IV.

Primary Examiner—Melvin B. Feifer
Attorney, Agent, or Firm—N. J. Aquilino

[57] CLAIM

The ornamental design for a golf club head, as shown and described.

DESCRIPTION

FIG. 1 is a rear perspective view of the golf club head showing my new design;

FIG. 2 is a top plan view thereof;

FIG. 3 is a front elevational view thereof;

FIG. 4 is a bottom view thereof;

FIG. 5 is an end elevational view thereof;

FIG. 6 is an end elevational view taken from the opposite side of FIG. 5.

FIG. 7 is a sectional view taken along line 7-7 in FIG. 1.

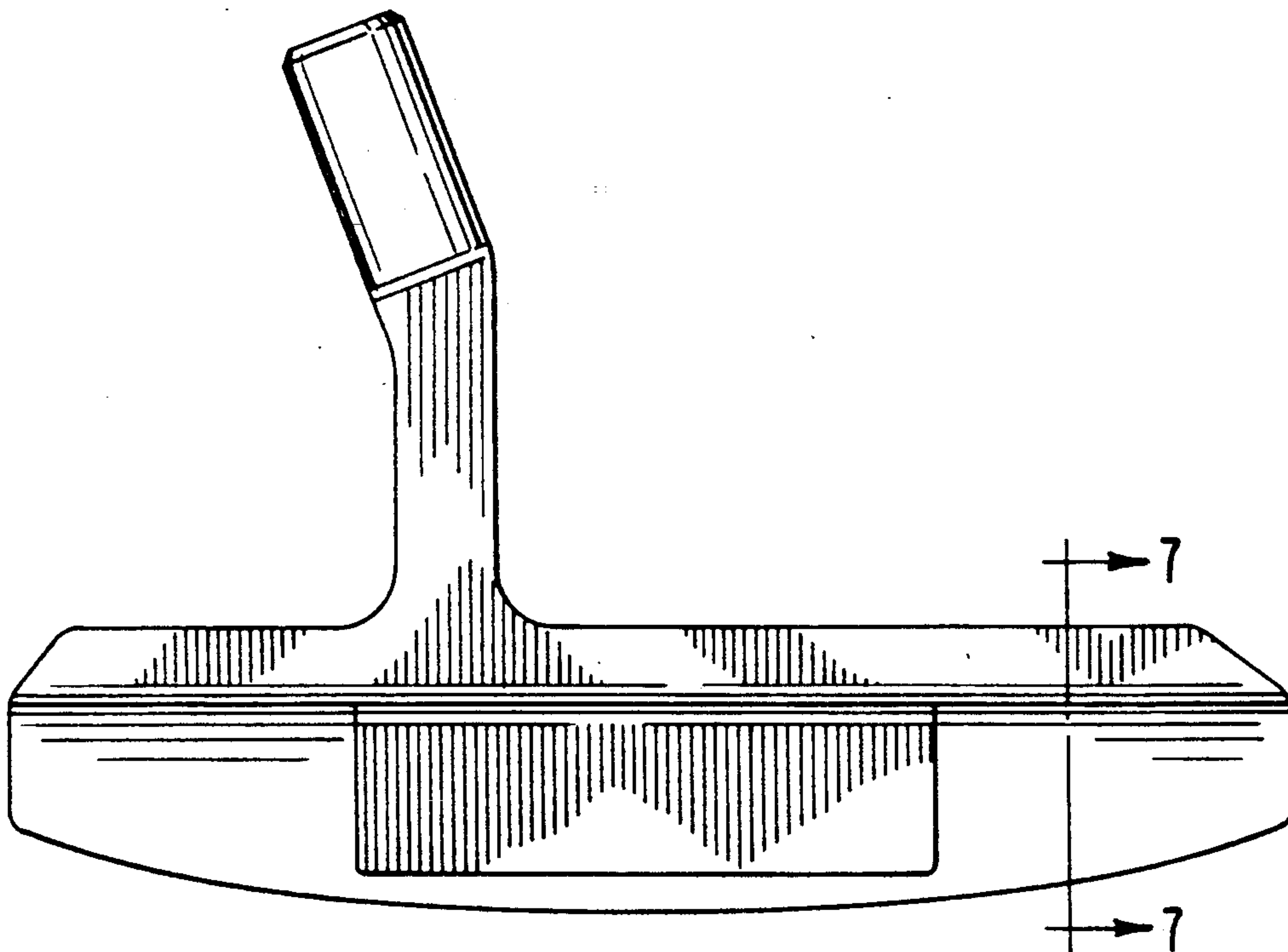


FIG. 1

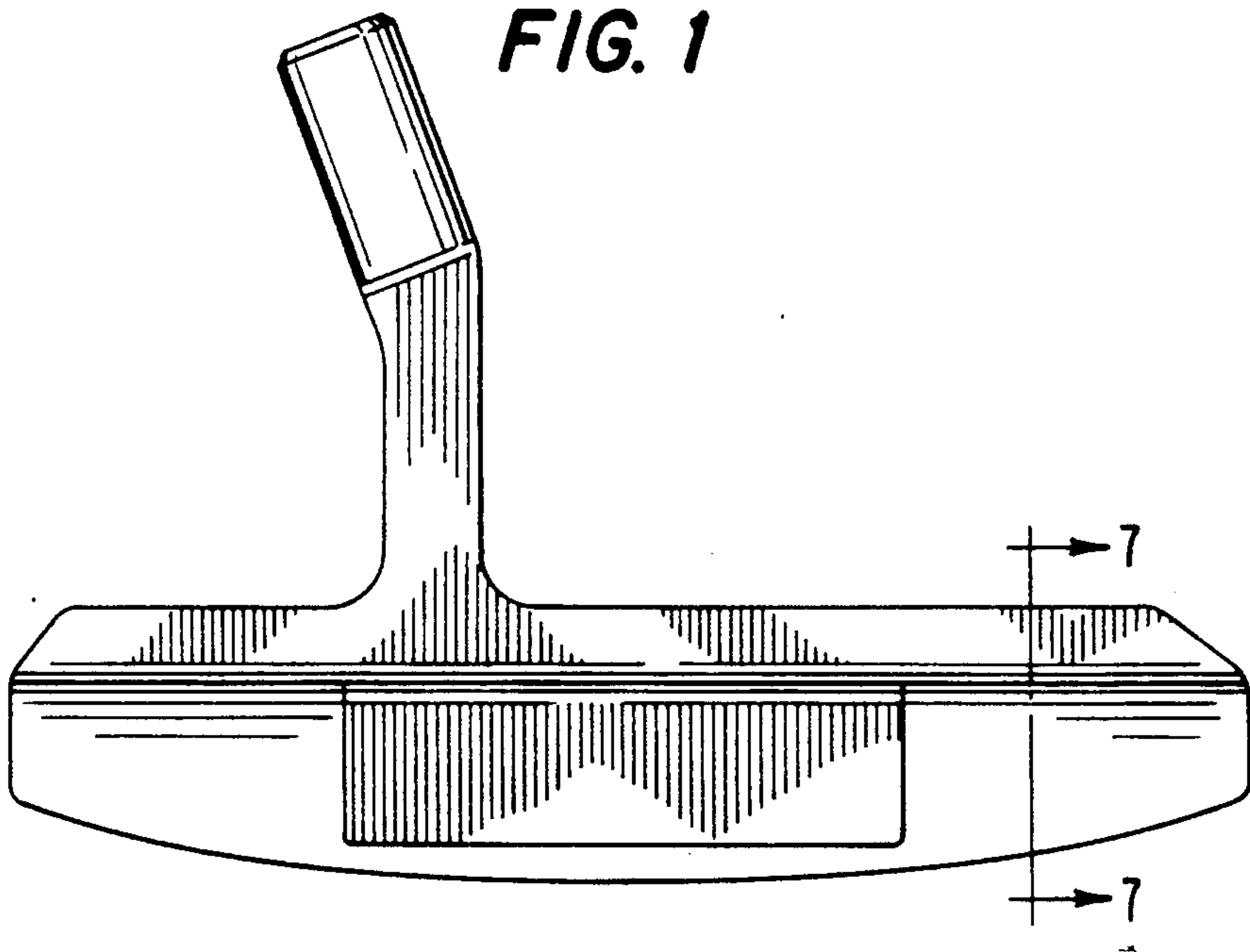


FIG. 2

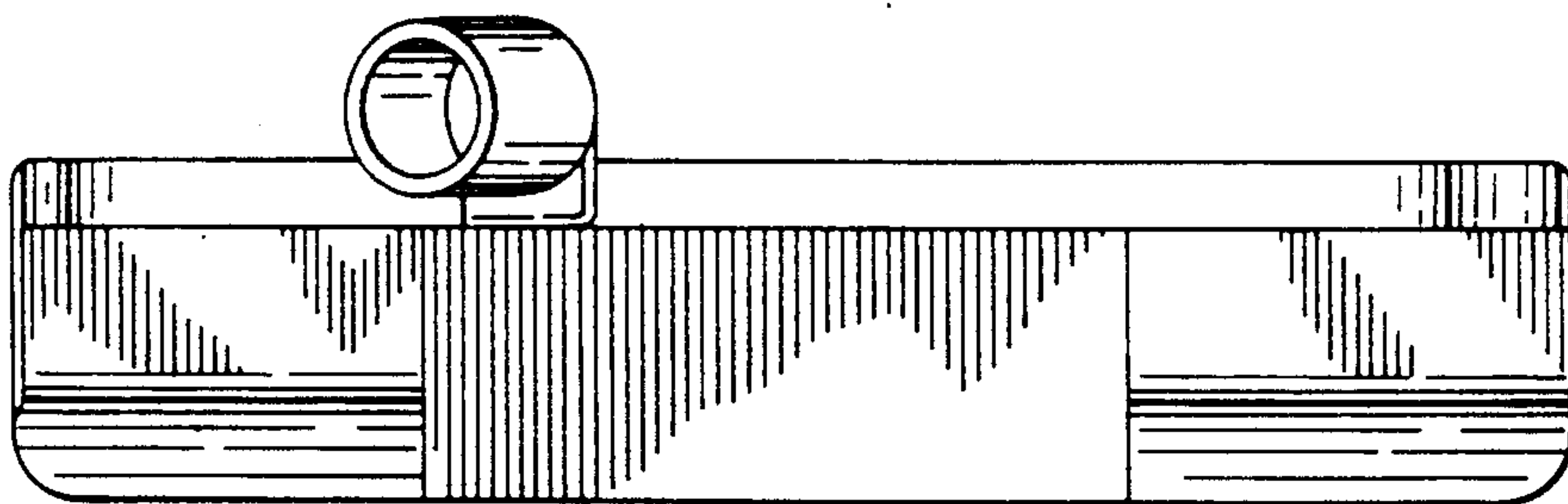


FIG. 3

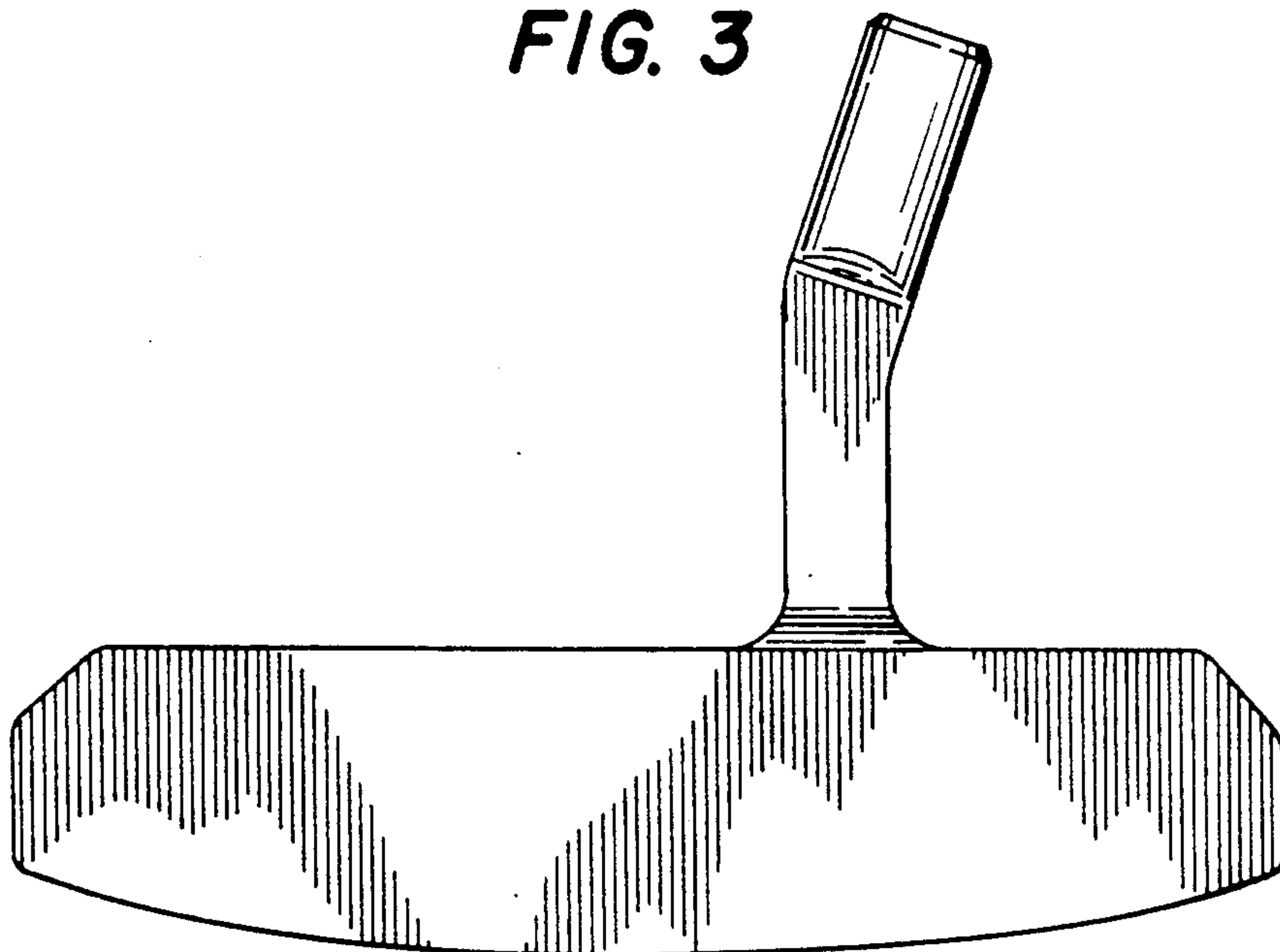


FIG. 4

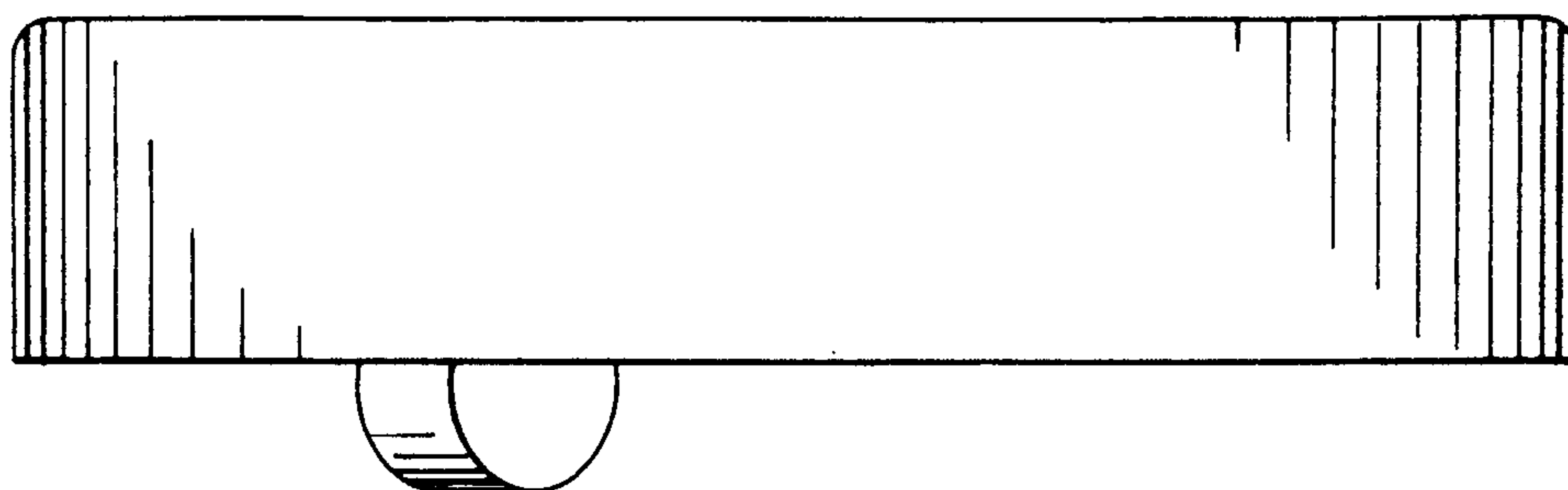


FIG. 5

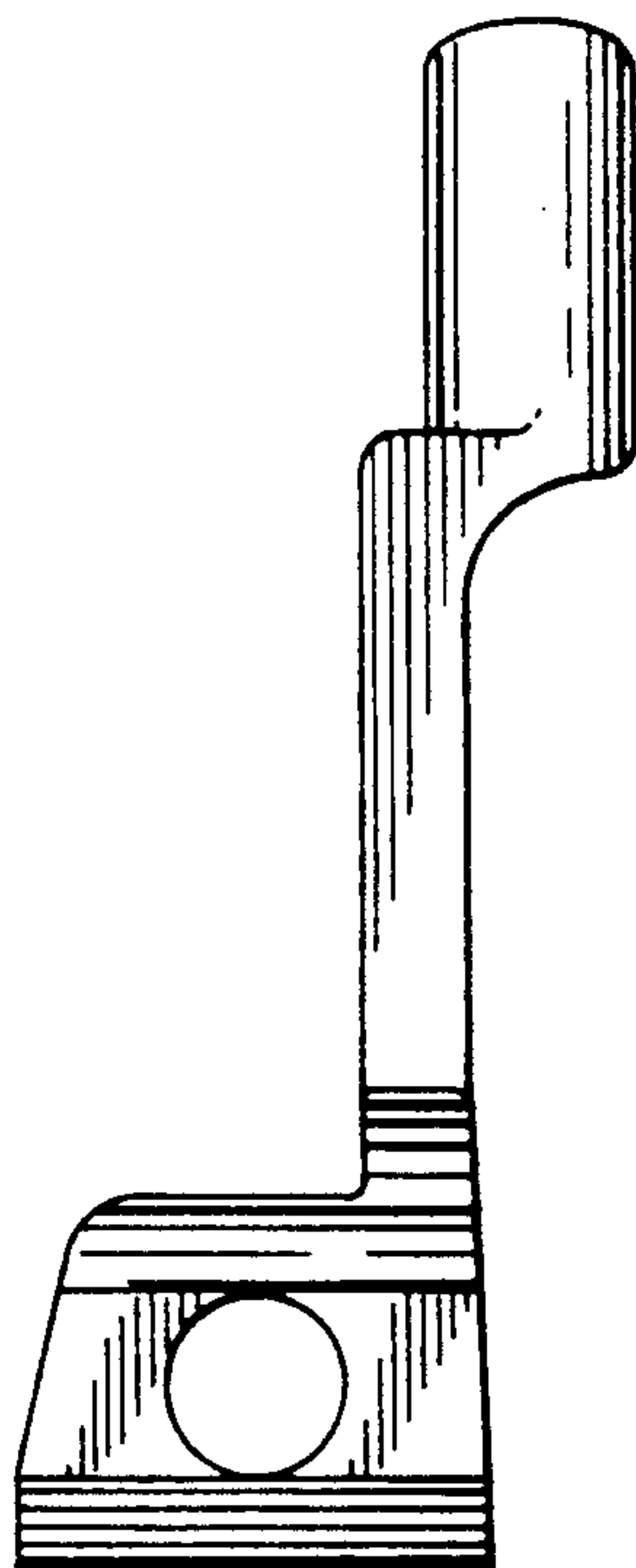


FIG. 6

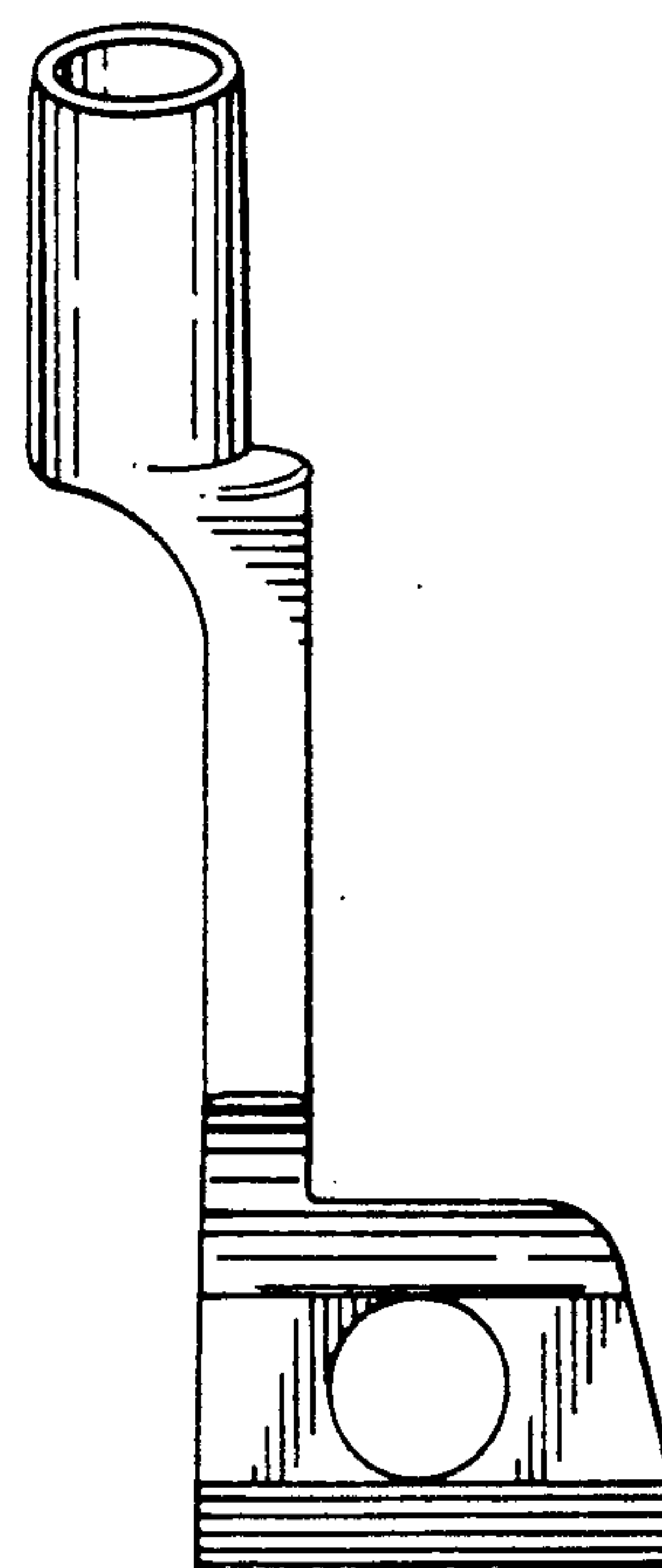


FIG. 7

