

[54] OPEN FRAME COASTER VEHICLE

[76] Inventor: André Dupont, 115 rue De
Vaudreuil, Boucherville, Quebec,
Canada, J4B 1K7

[**] Term: 14 Years

[21] Appl. No.: 325,470

[22] Filed: Mar. 20, 1989

[52] U.S. Cl. D21/71; D12/88

[58] Field of Search D12/88; D21/71;
280/87.01; 296/186

[56] References Cited

U.S. PATENT DOCUMENTS

D. 189,614 1/1961 Beale D21/71
3,887,210 6/1975 Funke 280/87.01

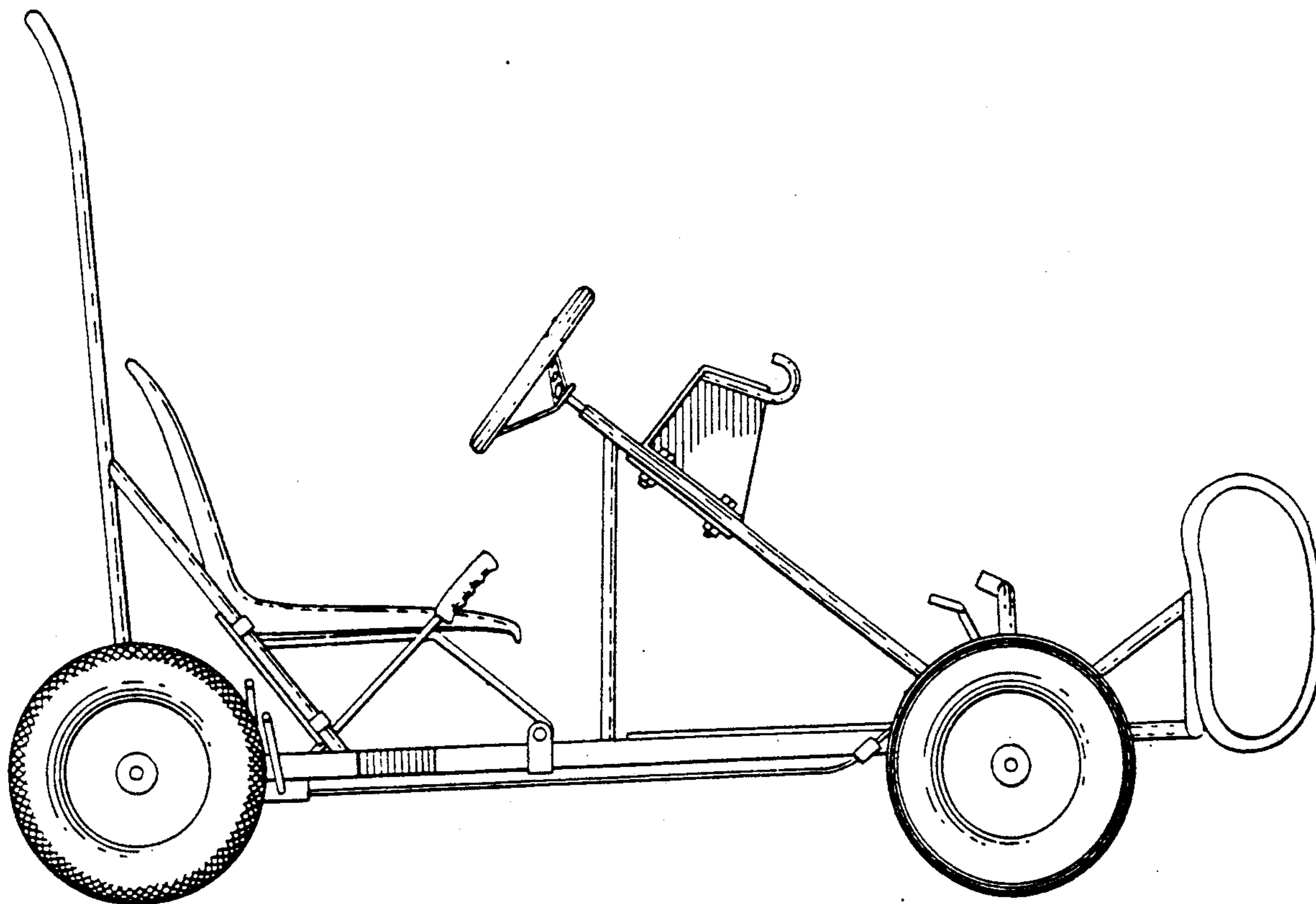
Primary Examiner—James M. Gandy

[57] CLAIM

The ornamental design for an open frame coaster vehicle, as shown and described.

DESCRIPTION

FIG. 1 is a side elevational view of an open frame coaster vehicle, showing my new design the opposite side being substantially a mirror image thereof; FIG. 2 is a top plan view thereof; FIG. 3 is a bottom plan view thereof; FIG. 4 is a front elevation view thereof; and FIG. 5 is a rear elevational view thereof.



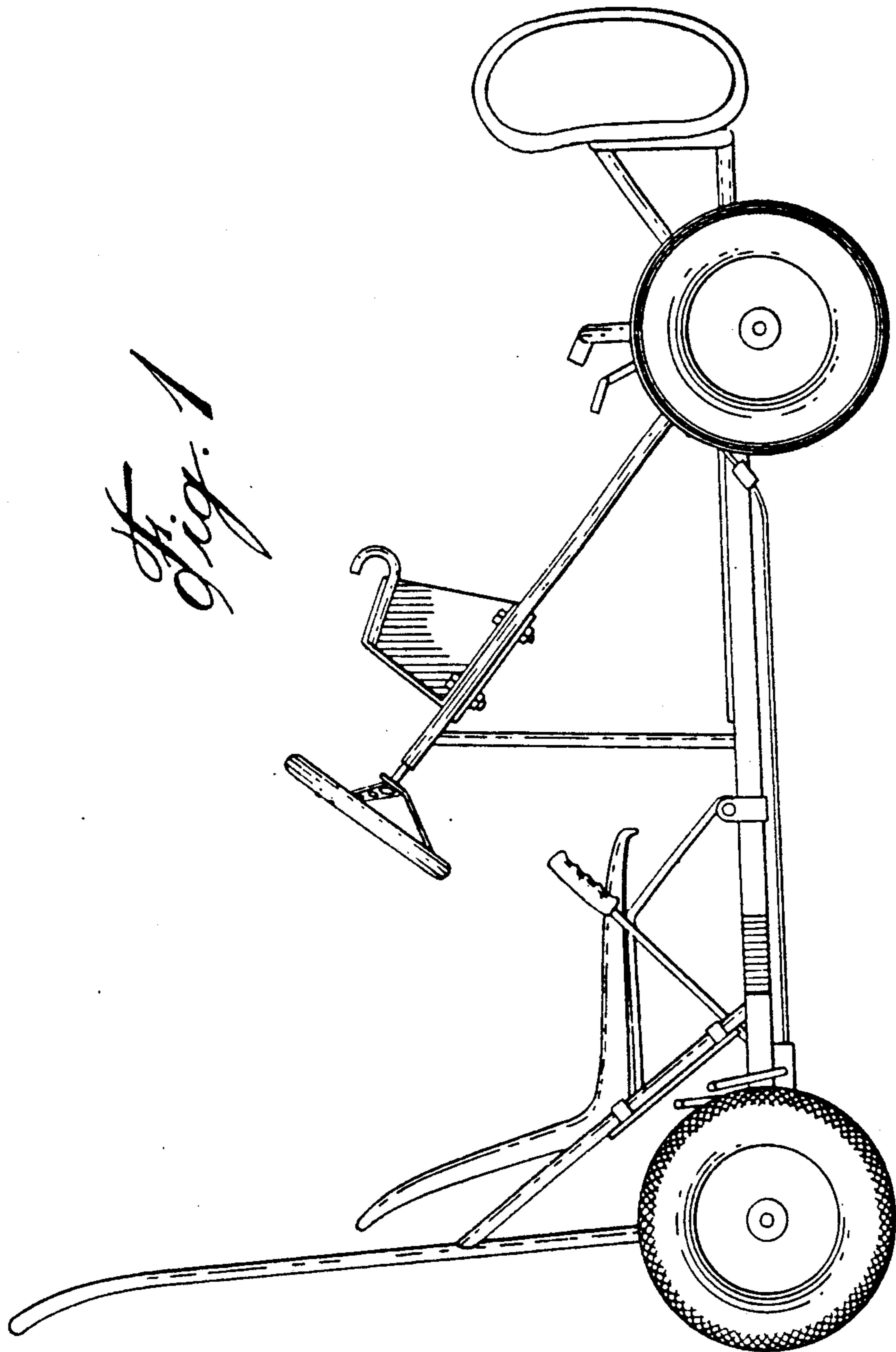


Fig. 1

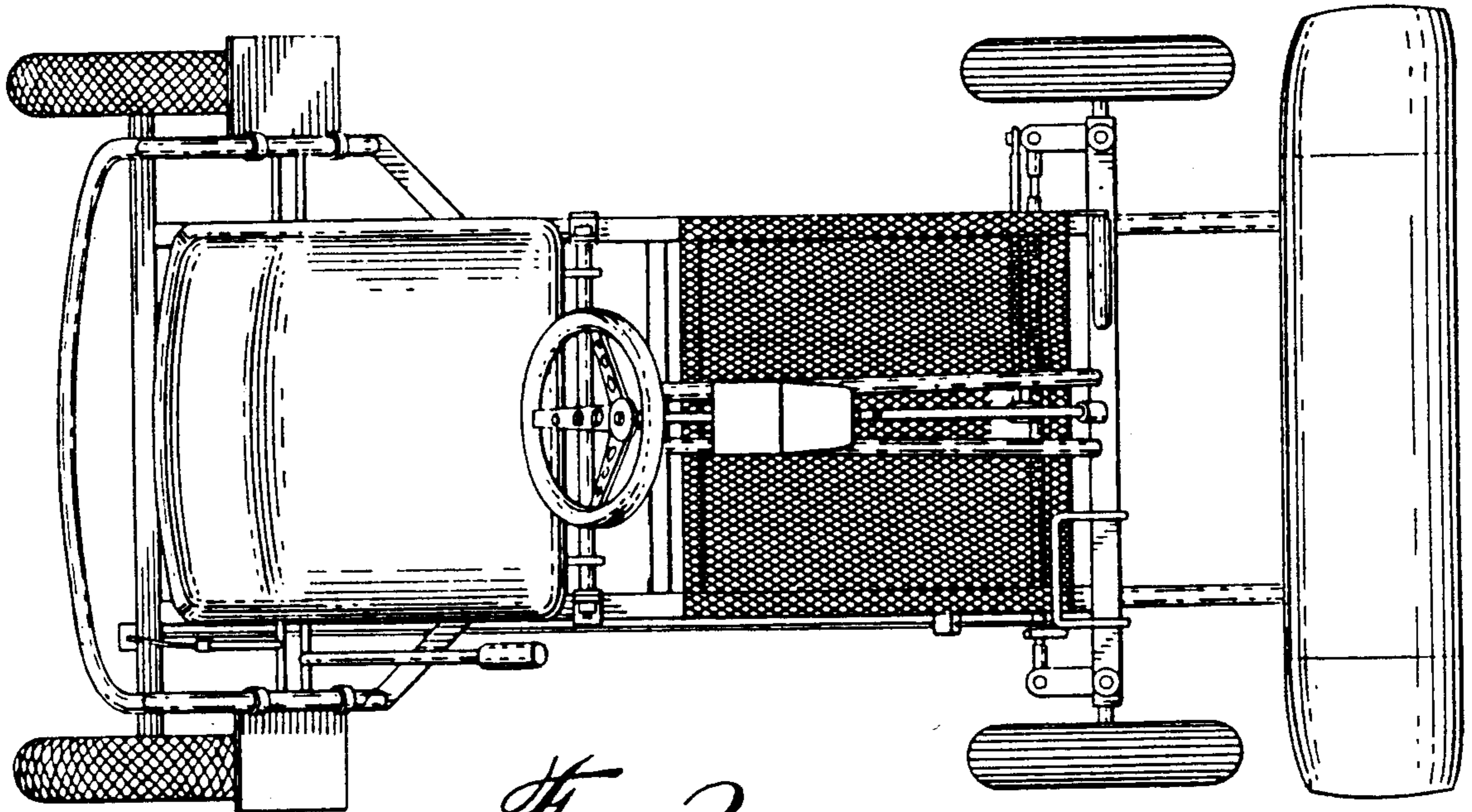


Fig. 2

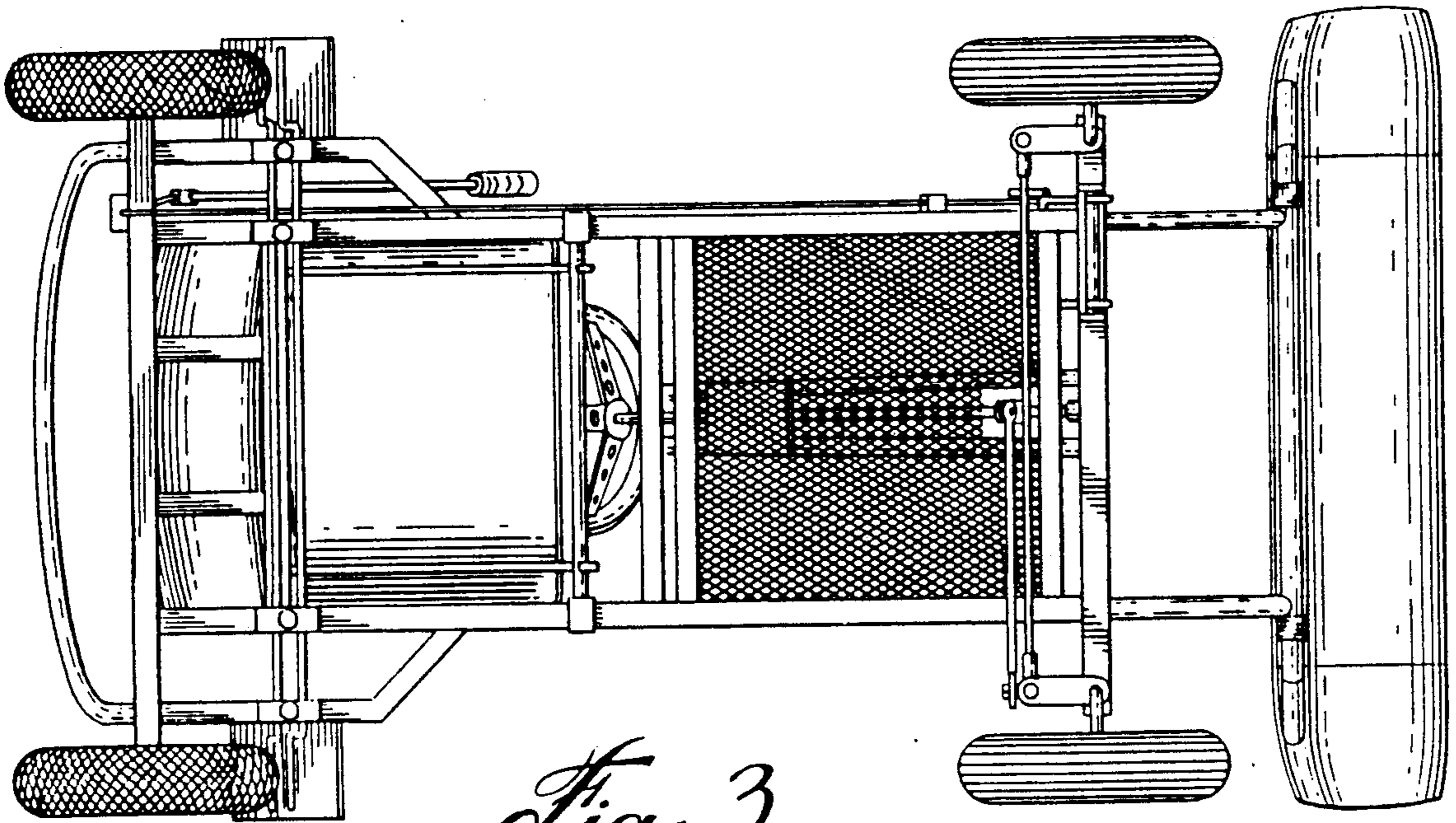


Fig. 3

Fig. 4

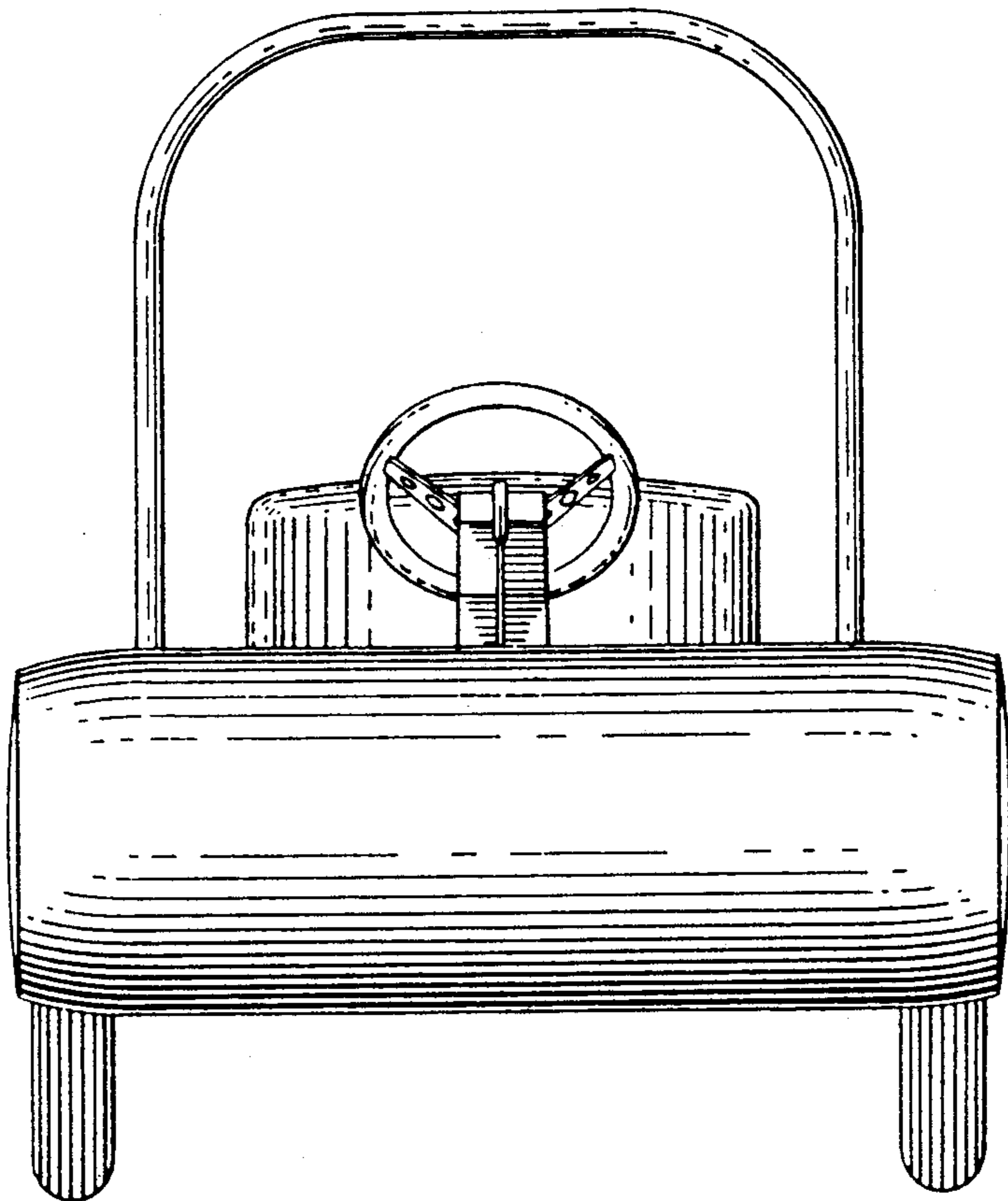


Fig. 5

