

United States Patent [19]

Wohl

[11] Patent Number: **Des. 320,419**

[45] Date of Patent: **** Oct. 1, 1991**

[54] AUDIOVISUAL TOY

[75] Inventor: **David J. Wohl, Kingston, R.I.**

[73] Assignee: **Playskool, Inc., Pawtucket, R.I.**

[**] Term: **14 Years**

[21] Appl. No.: **309,535**

[22] Filed: **Feb. 10, 1989**

[52] U.S. Cl. **D21/64; D21/59**

[58] Field of Search **D21/59, 64, 109, 127; D19/59, 64; 434/85; 446/146, 175, 219, 227, 236, 397**

[56] **References Cited**

U.S. PATENT DOCUMENTS

- D. 262,899 2/1982 Kroll D21/59
- D. 265,572 7/1982 Bredemeier et al. D21/59
- D. 279,489 7/1985 Mak D21/59

- D. 280,997 10/1985 Thomson et al. D21/59
- D. 282,472 2/1986 Catelli D21/64
- D. 298,558 11/1988 Wickstead D21/59

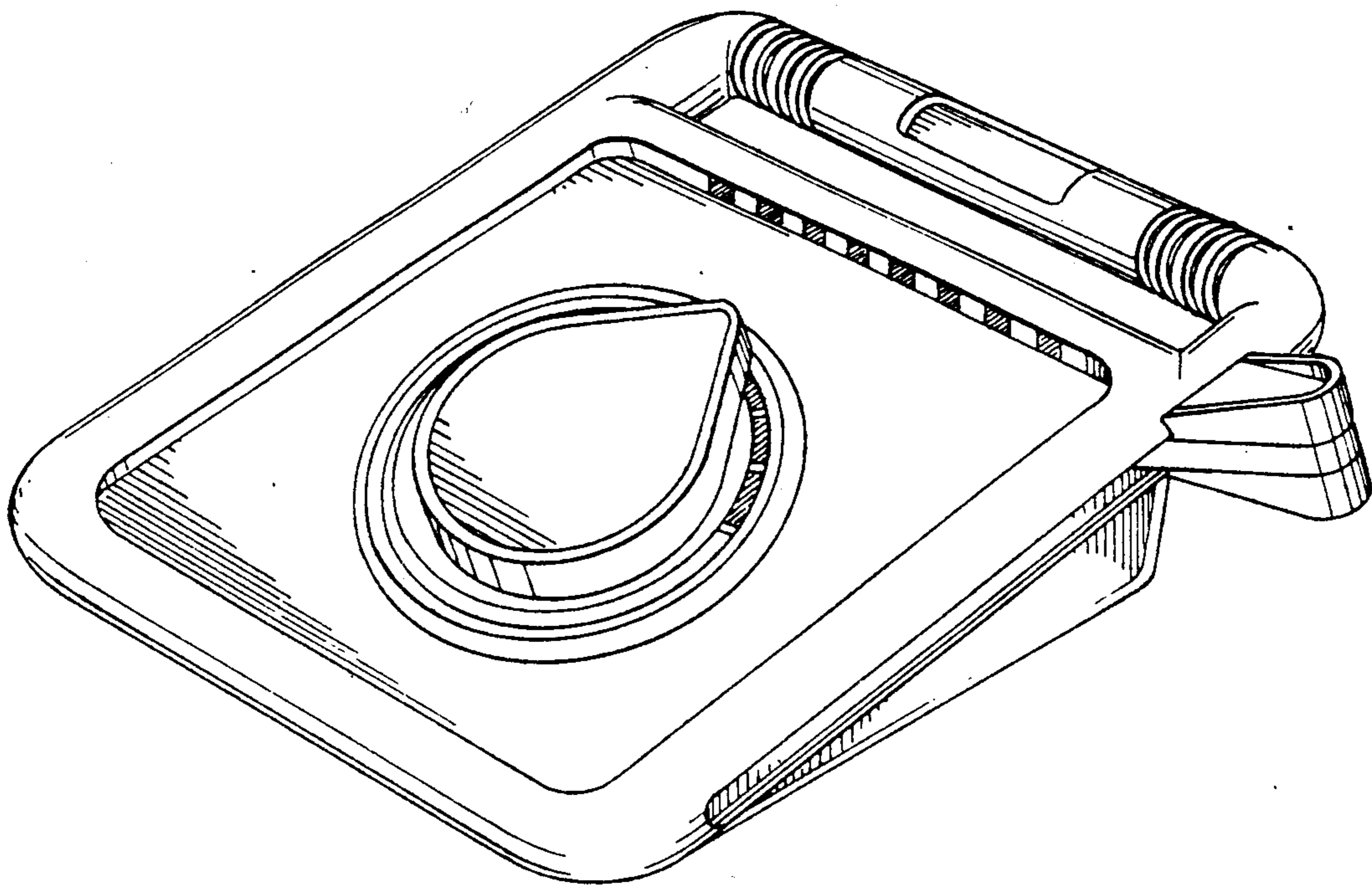
Primary Examiner—Charles A. Rademaker
Attorney, Agent, or Firm—Salter & Michaelson

[57] **CLAIM**

The ornamental design for an audiovisual toy, as shown and described.

DESCRIPTION

FIG. 1 is a perspective view of an audiovisual toy showing my new design;
 FIG. 2 is a top plan view thereof;
 FIG. 3 is a right-side elevational view thereof;
 FIG. 4 is a bottom plan view thereof;
 FIG. 5 is a left-side elevational view thereof;
 FIG. 6 is a rear elevational view thereof; and
 FIG. 7 is a front elevational view thereof.



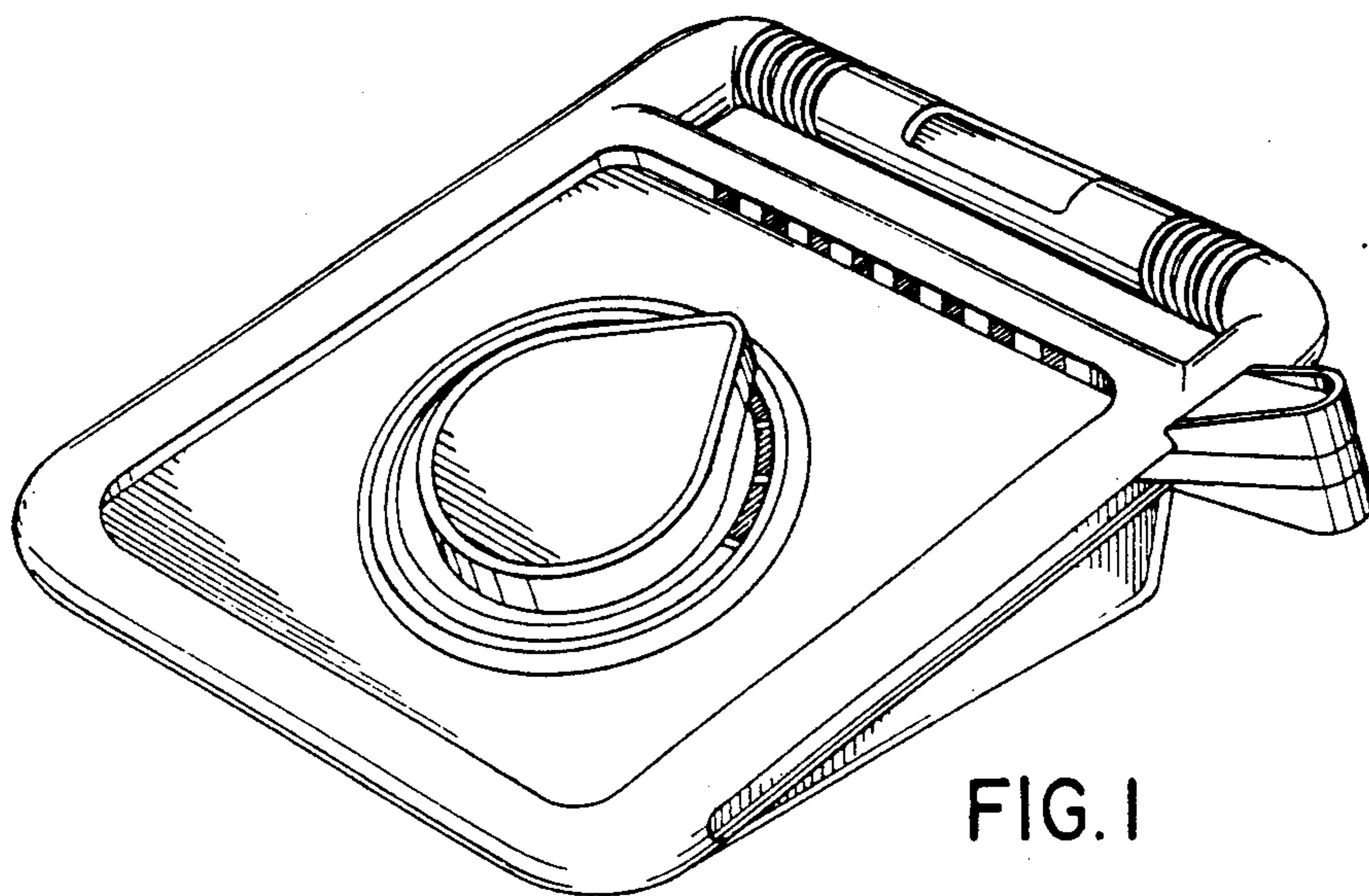


FIG. 1

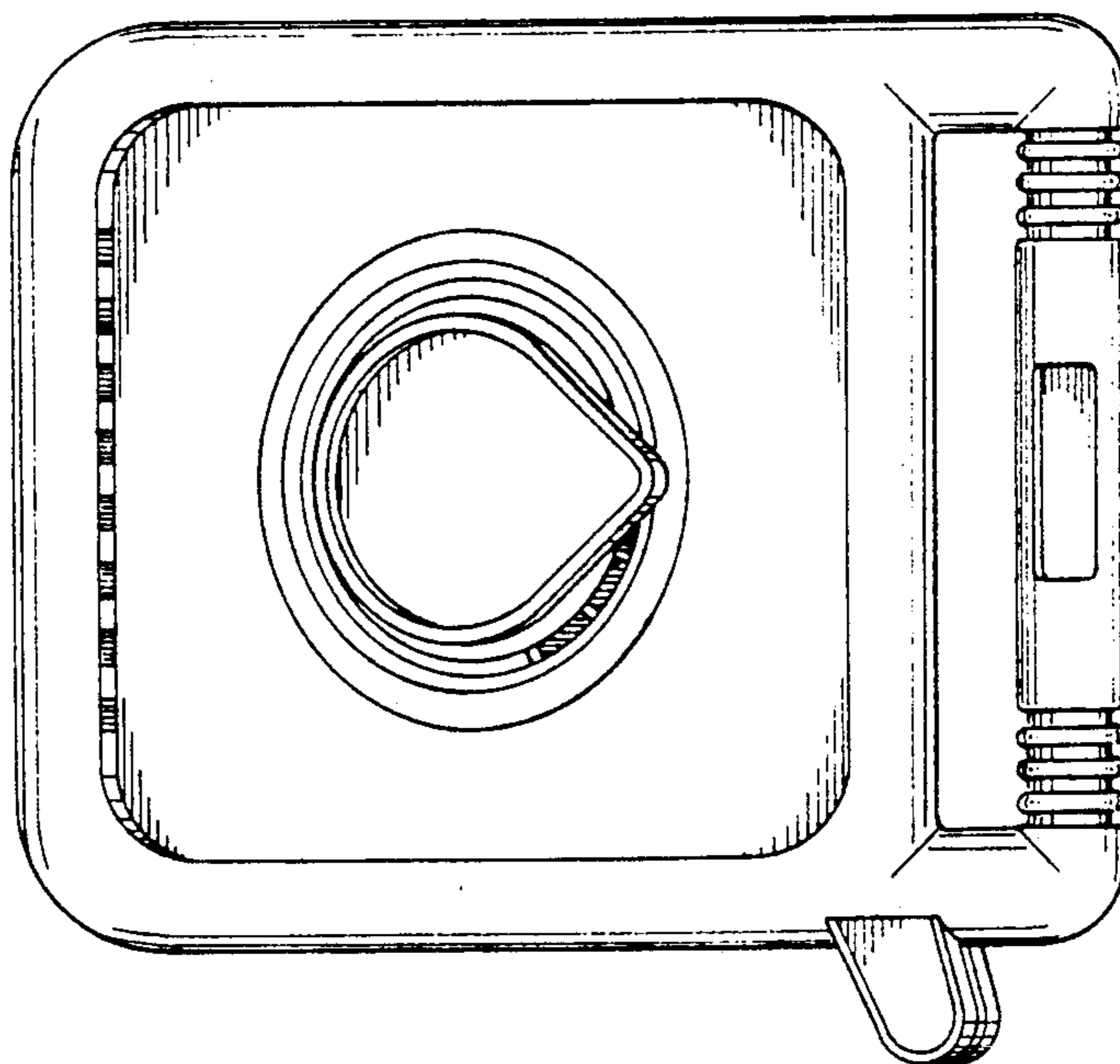


FIG. 2

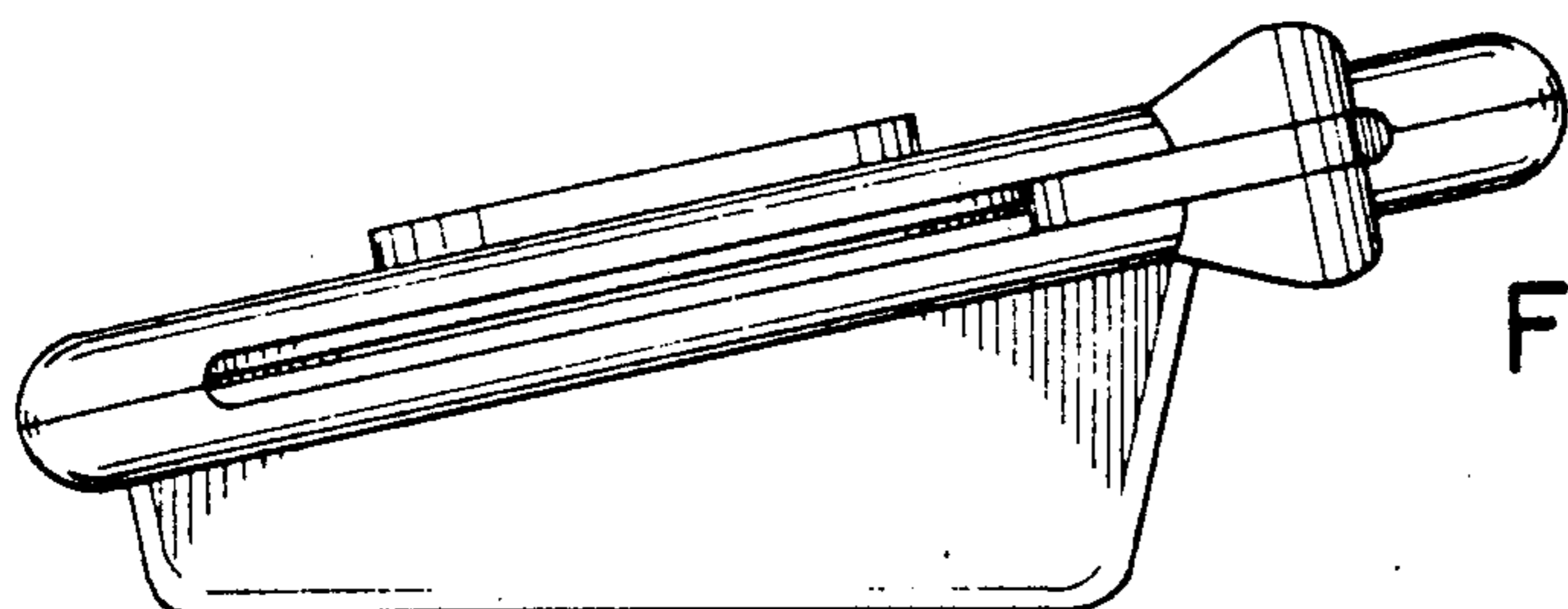


FIG. 3

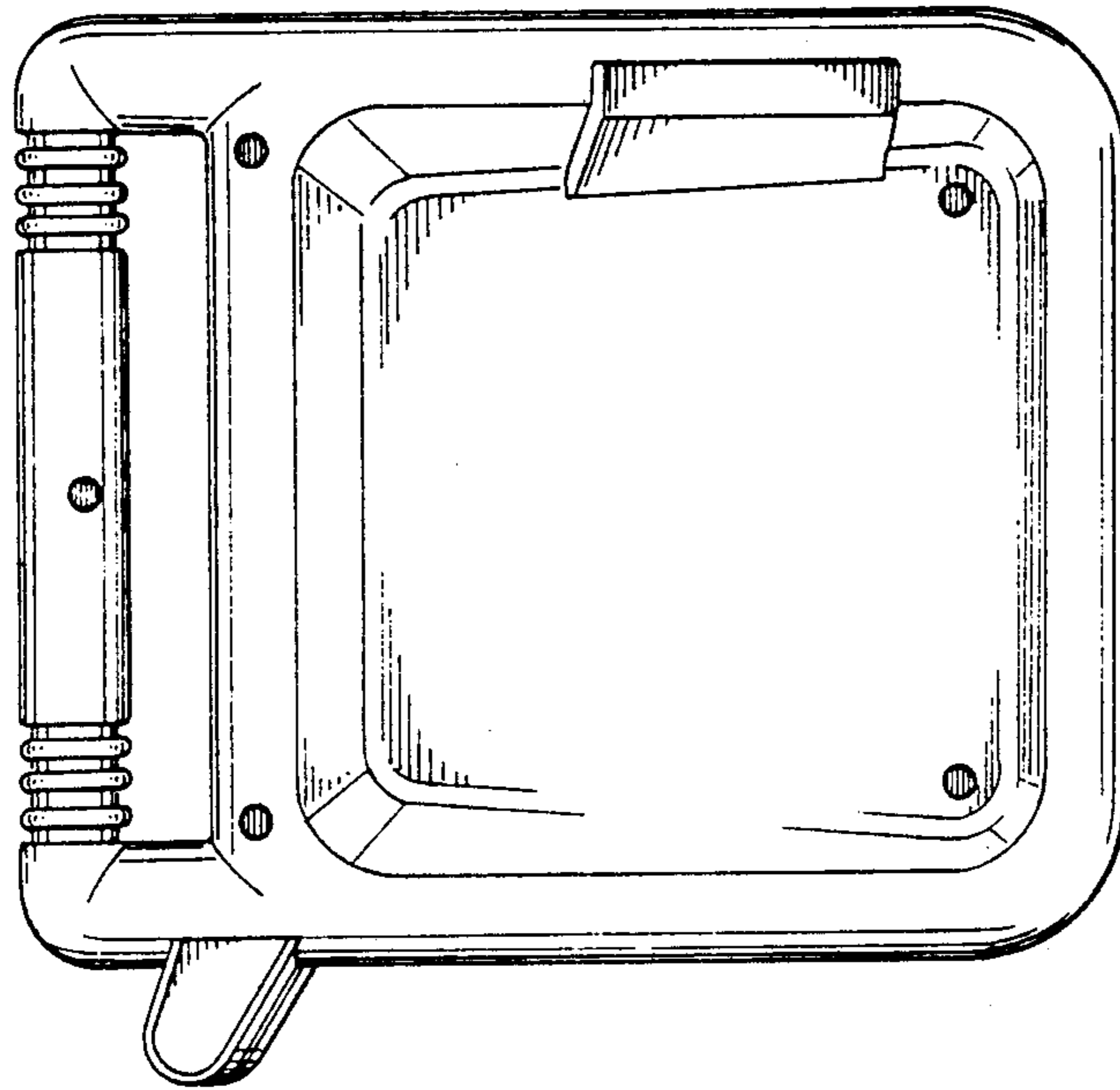


FIG. 4

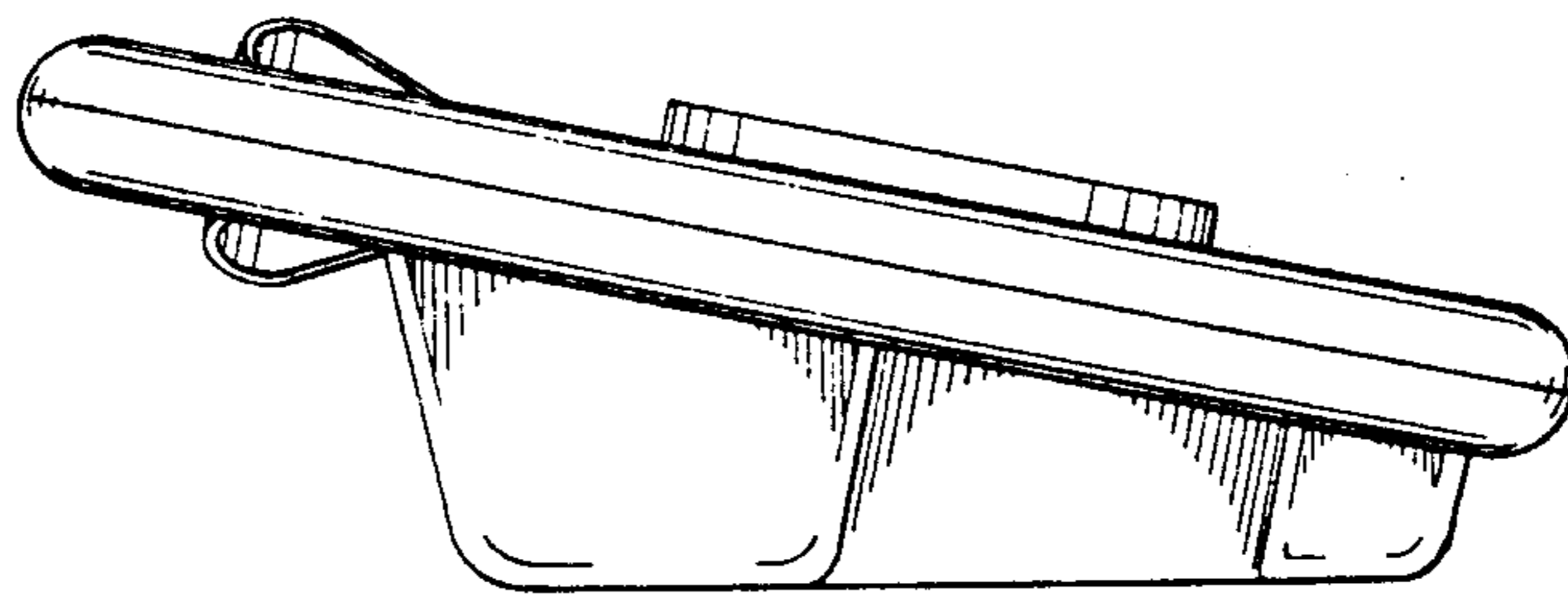


FIG. 5

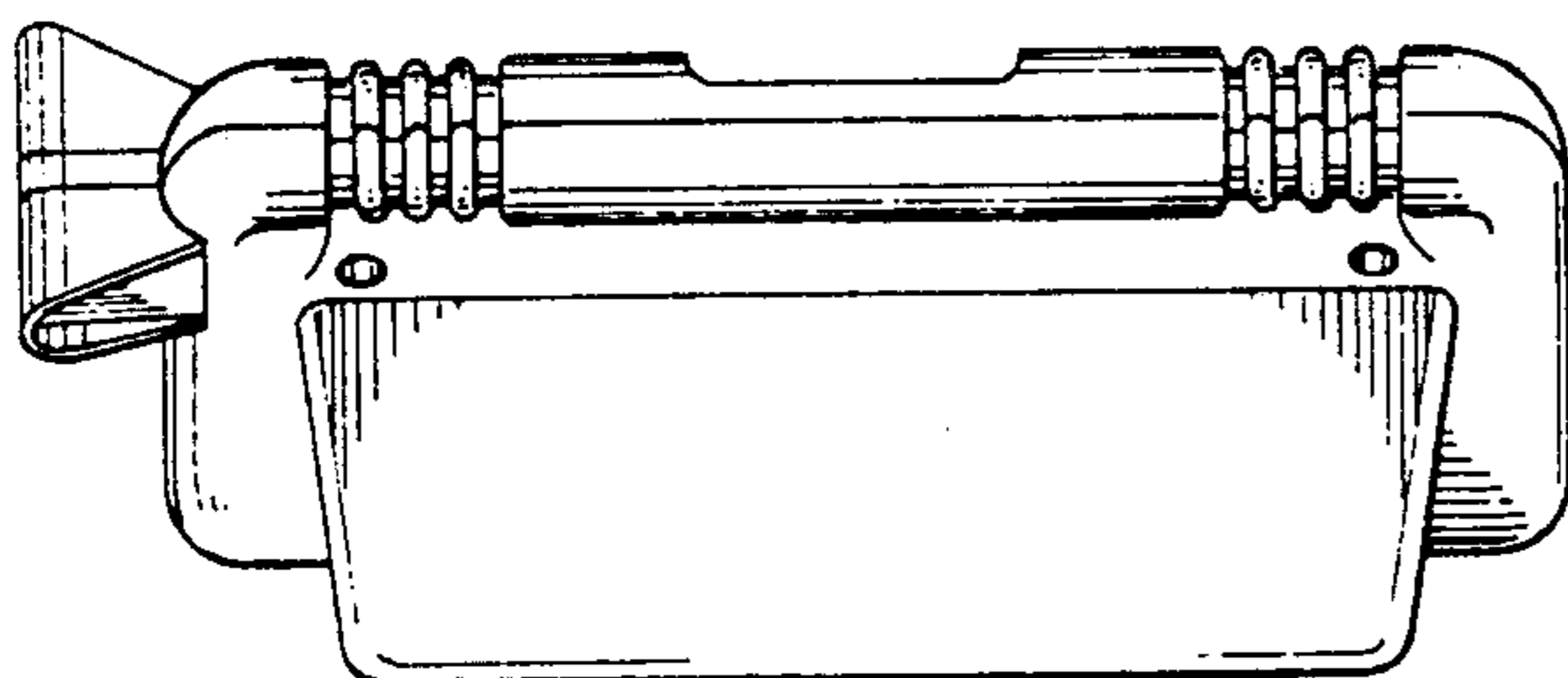


FIG. 6

FIG. 7

