

[54] IDENTIFICATION TAG FOR METALLIC  
IMPLANTABLE BONE FRACTURE  
REDUCTION AND FIXATION DEVICES

3,070,863 1/1963 Eberwein ..... 40/1.5  
4,791,742 12/1988 Stover ..... 40/299  
4,972,616 11/1990 Doll ..... 40/299

[75] Inventor: Frank H. Morgan, Woodland Hills,  
Calif.

Primary Examiner—Wallace R. Burke  
Assistant Examiner—Marcus Jackson  
Attorney, Agent, or Firm—Philip D. Junkins

[73] Assignee: TiMesh, Inc., Las Vegas, Nev.

[57] CLAIM

[\*\*] Term: 14 Years

The ornamental design for an identification tag for metallic implantable bone fracture reduction and fixation devices, as shown and described.

[21] Appl. No.: 425,585

[22] Filed: Oct. 23, 1989

[52] U.S. Cl. .... D20/22; D20/26

[58] Field of Search ..... D20/10, 22, 23, 27,  
D20/29, 43, 44; 40/5, 6, 1.5, 1.6, 584, 299

DESCRIPTION

FIG. 1 is a front elevational view of an identification tag for metallic implantable bone fracture reduction and fixation devices showing my new design, with the broken line showing for illustrative purposes only and forming no part of the claimed design;

FIG. 2 is a side elevational view, with the opposite side being a mirror image; and

FIG. 3 is a rear elevational view thereof.

[56] References Cited

U.S. PATENT DOCUMENTS

1,991,673 2/1935 Horne ..... 40/633  
2,607,140 8/1952 Taylor ..... 40/642

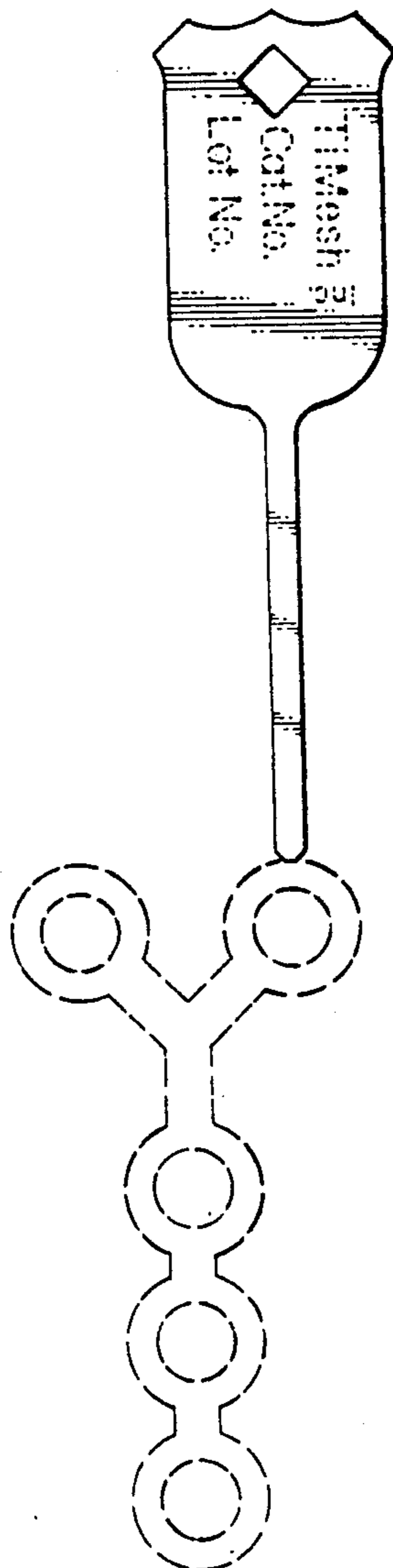


FIG. 1.

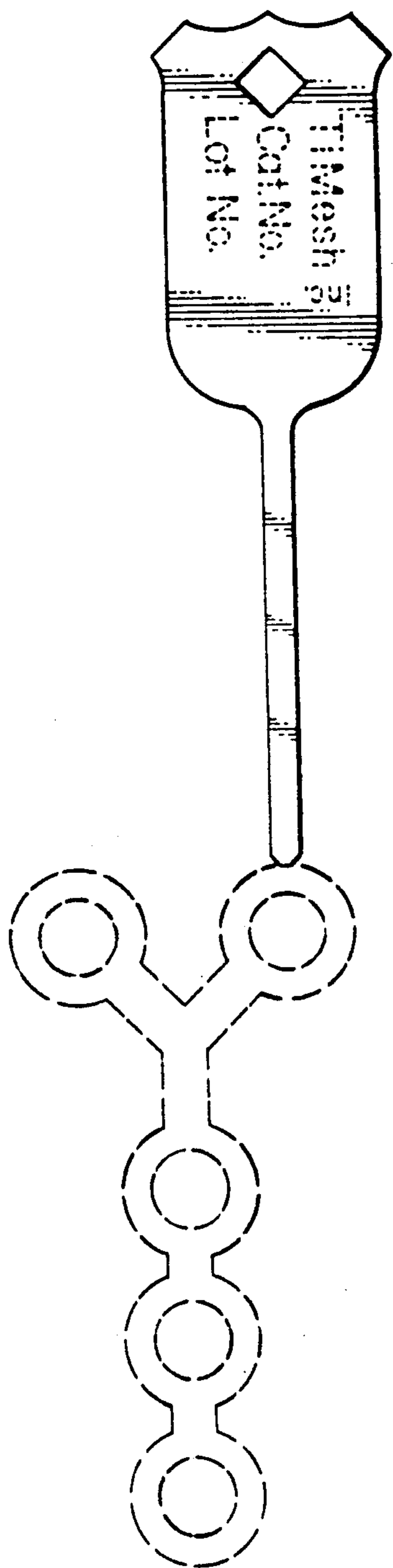


FIG. 2.



FIG. 3.

