

[54] CRAYON STORAGE CONTAINER

3,471,032 10/1969 Thompson 211/69.1

[75] Inventors: Charles W. Dietterich, Brodheadsville; Richard E. Kenepaske; Anne M. Patino, both of Bethlehem, all of Pa.; Richard A. Tarozzi, Gales Ferry, Conn.

[73] Assignee: Binney & Smith Inc., Easton, Pa.

[**] Term: 14 Years

[21] Appl. No.: 336,318

[22] Filed: Apr. 11, 1989

[52] U.S. Cl. D19/85; D19/35; D19/75; D19/81; D3/30.1

[58] Field of Search D7/312, 605, 626, 627; D3/74; D19/65, 35, 36, 75, 77, 78, 81-85; 206/1.7, 214, 371; 211/69.1-69.9; D34/44

[56] References Cited

U.S. PATENT DOCUMENTS

- D. 40,612 4/1910 Owens 211/69.9
- D. 248,337 6/1978 Max D3/74
- D. 266,207 9/1982 Kirchberger et al. D34/44 X
- D. 284,235 6/1986 Zinter-Chahin D3/74
- D. 290,661 7/1987 Appel et al. D19/78 X
- D. 290,853 7/1987 Appel D19/85
- D. 290,854 7/1987 Appel D19/85
- D. 298,264 10/1988 Wang D19/85
- D. 309,158 7/1990 Shattan D19/36 X
- D. 311,476 10/1990 Kumakura D7/605

OTHER PUBLICATIONS

The Children's Design Center, 11/81, p. 15, see Crayon left center-desk copy.

Toys To Grow On-Fall 83, see p. 29, box left center-Desk.

Empire Pencil Co.-see p. 42, bottom center-desk copy.

Kiddy Links Sorting Lid by Playskool, Inc.

My Shape 'N Stir Pot by Playskool, Inc.

My First 36 Crayons Crayon Bucket by Binney & Smith Inc.

Primary Examiner—Bruce W. Dunkins

Assistant Examiner—Martha Thompson

Attorney, Agent, or Firm—Neuman, Williams, Anderson & Olson

[57] CLAIM

The ornamental design of a crayon storage container, as shown and described.

DESCRIPTION

FIG. 1 is a front perspective view of a crayon storage container showing our new design;

FIG. 2 is a top plan view;

FIG. 3 is a bottom plan view;

FIG. 4 is a front elevational view, the rear view being a mirror image thereof; and

FIG. 5 is a side elevational view, the opposite side being a mirror image thereof.

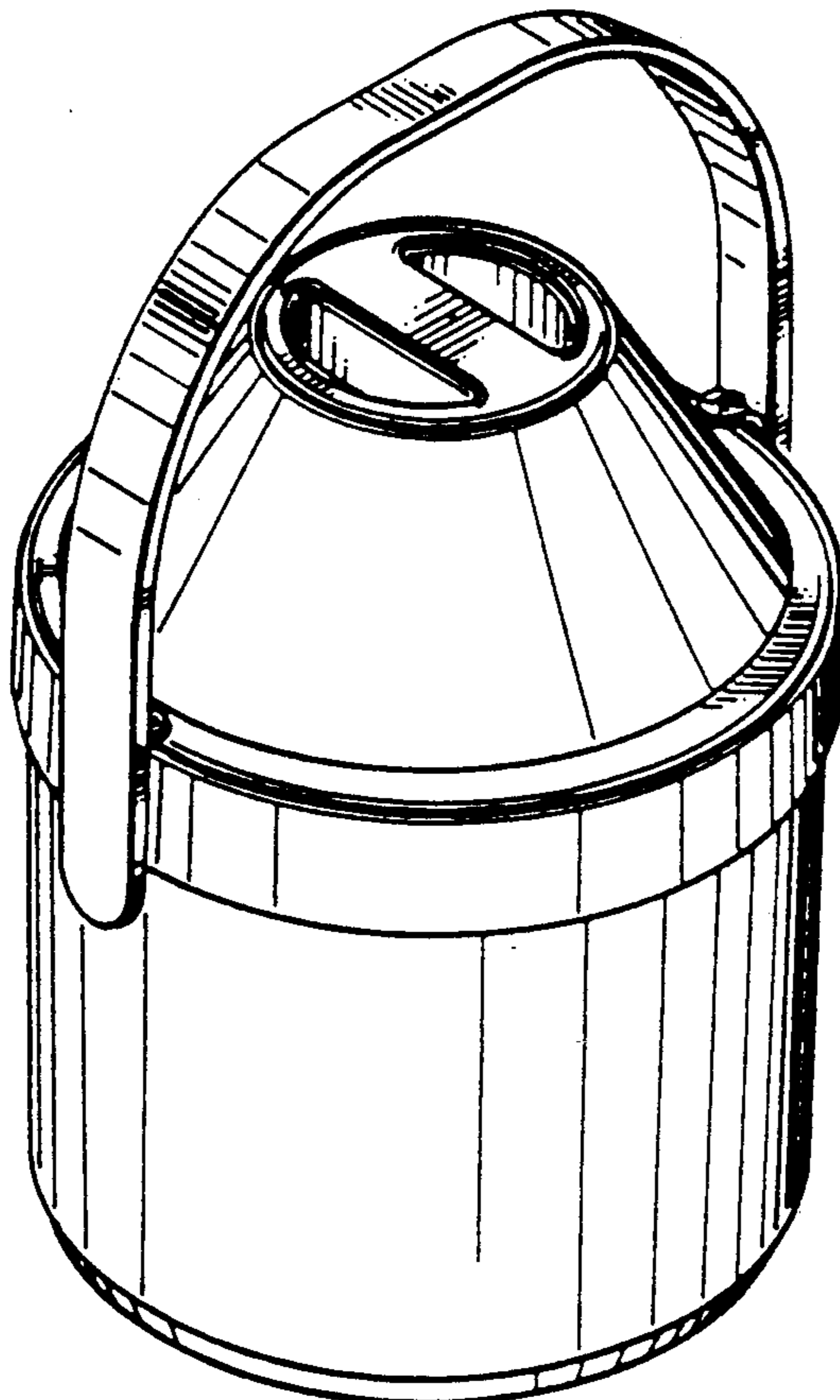


FIG. 1

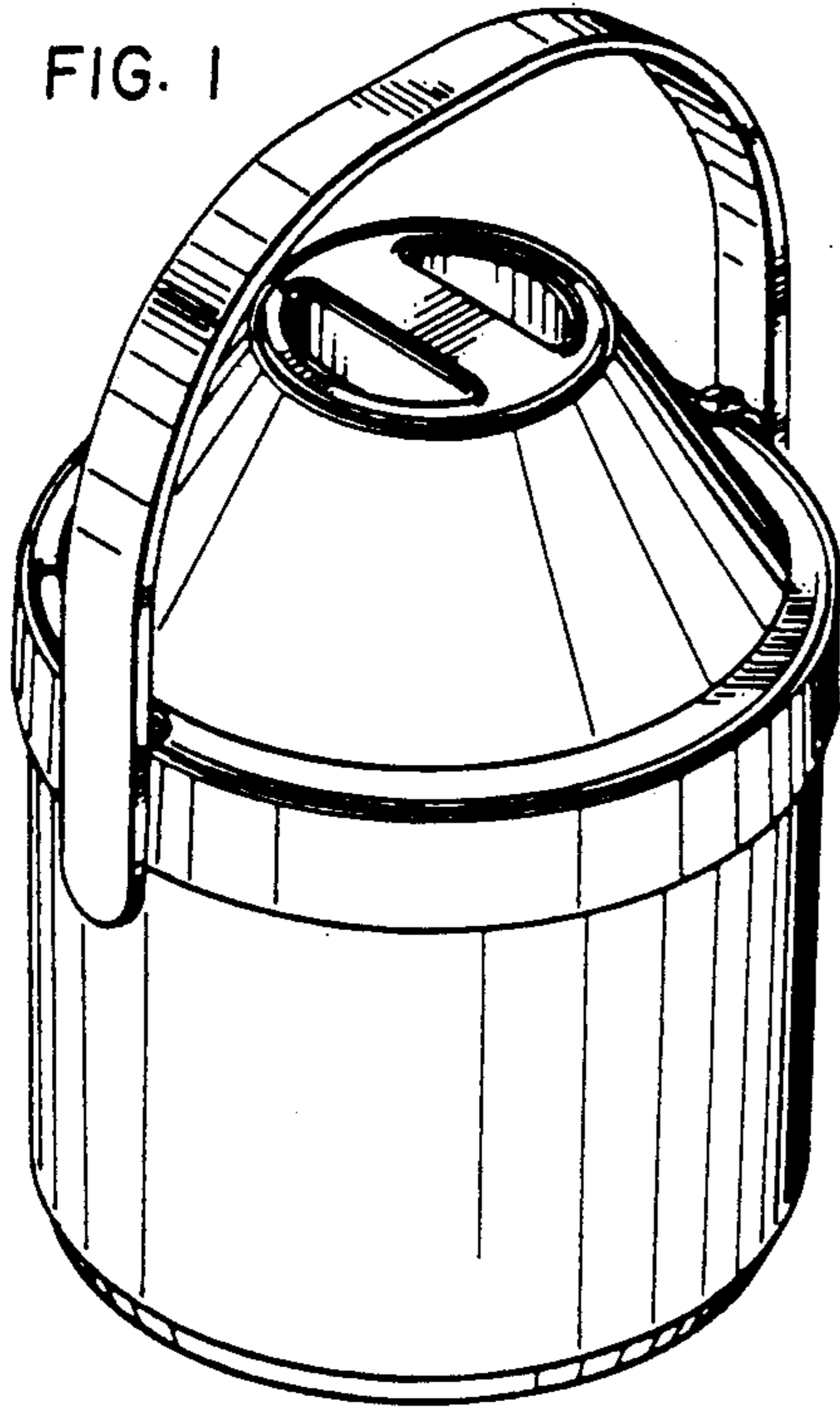


FIG. 2

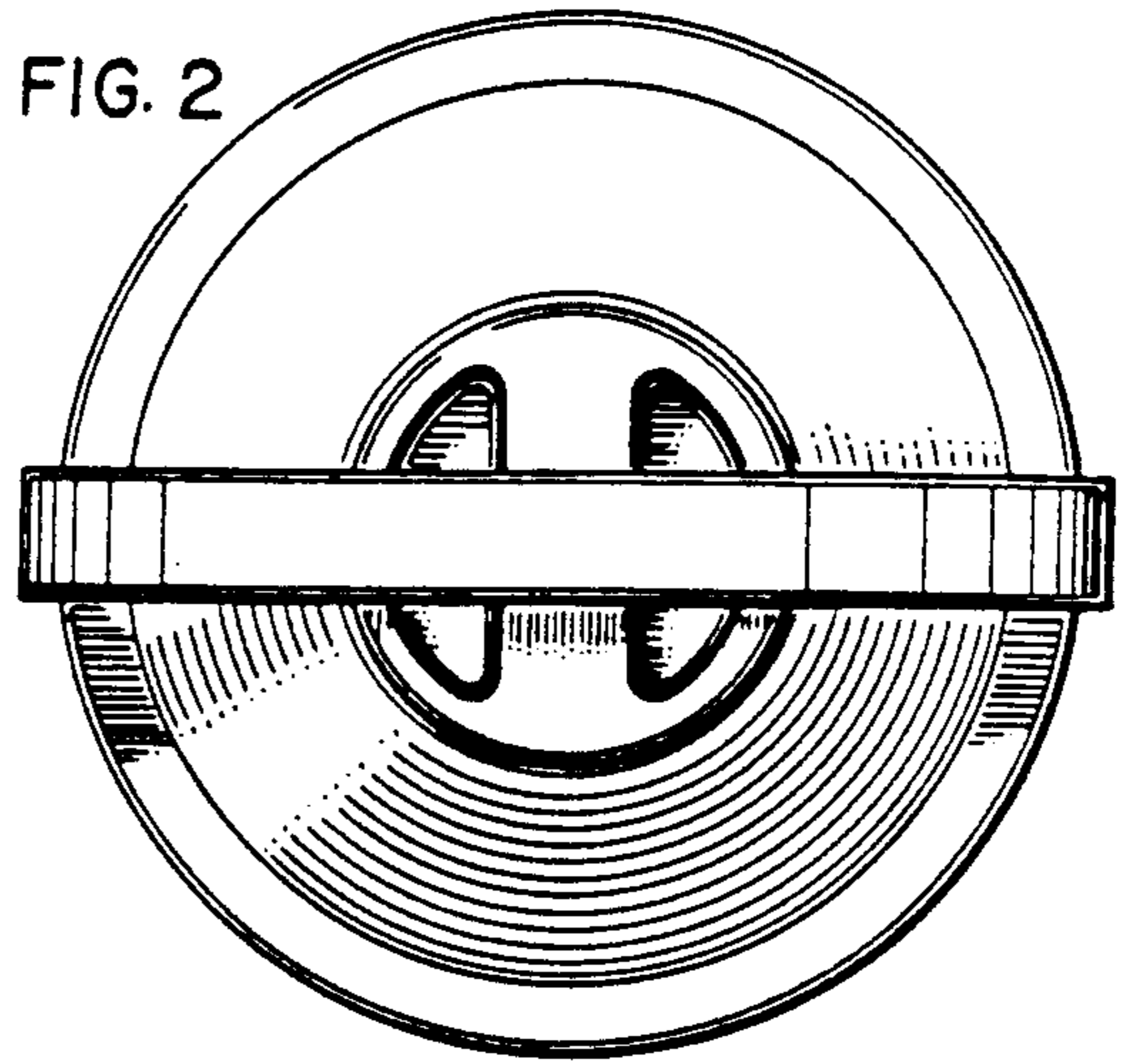


FIG. 3

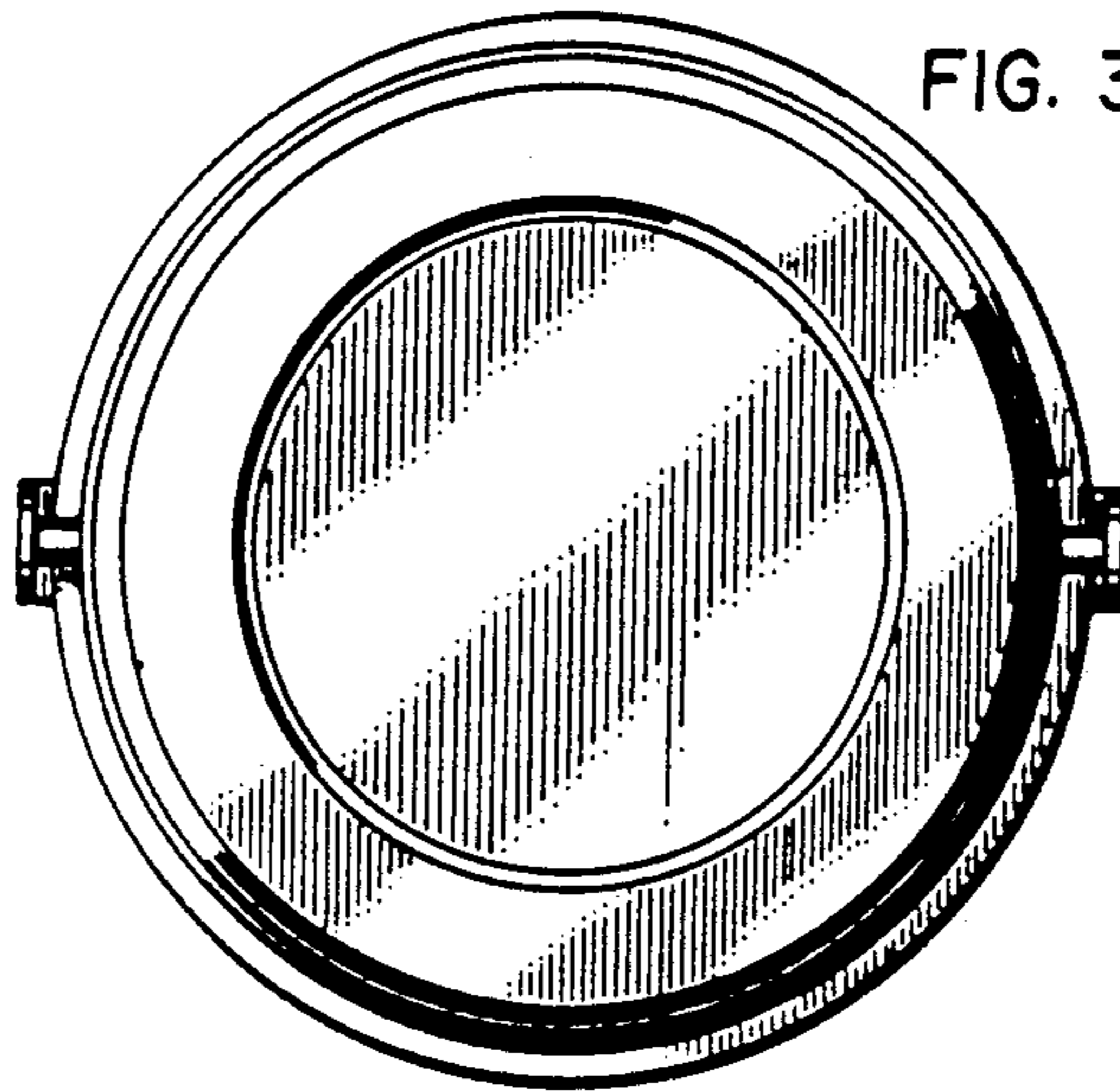


FIG. 4

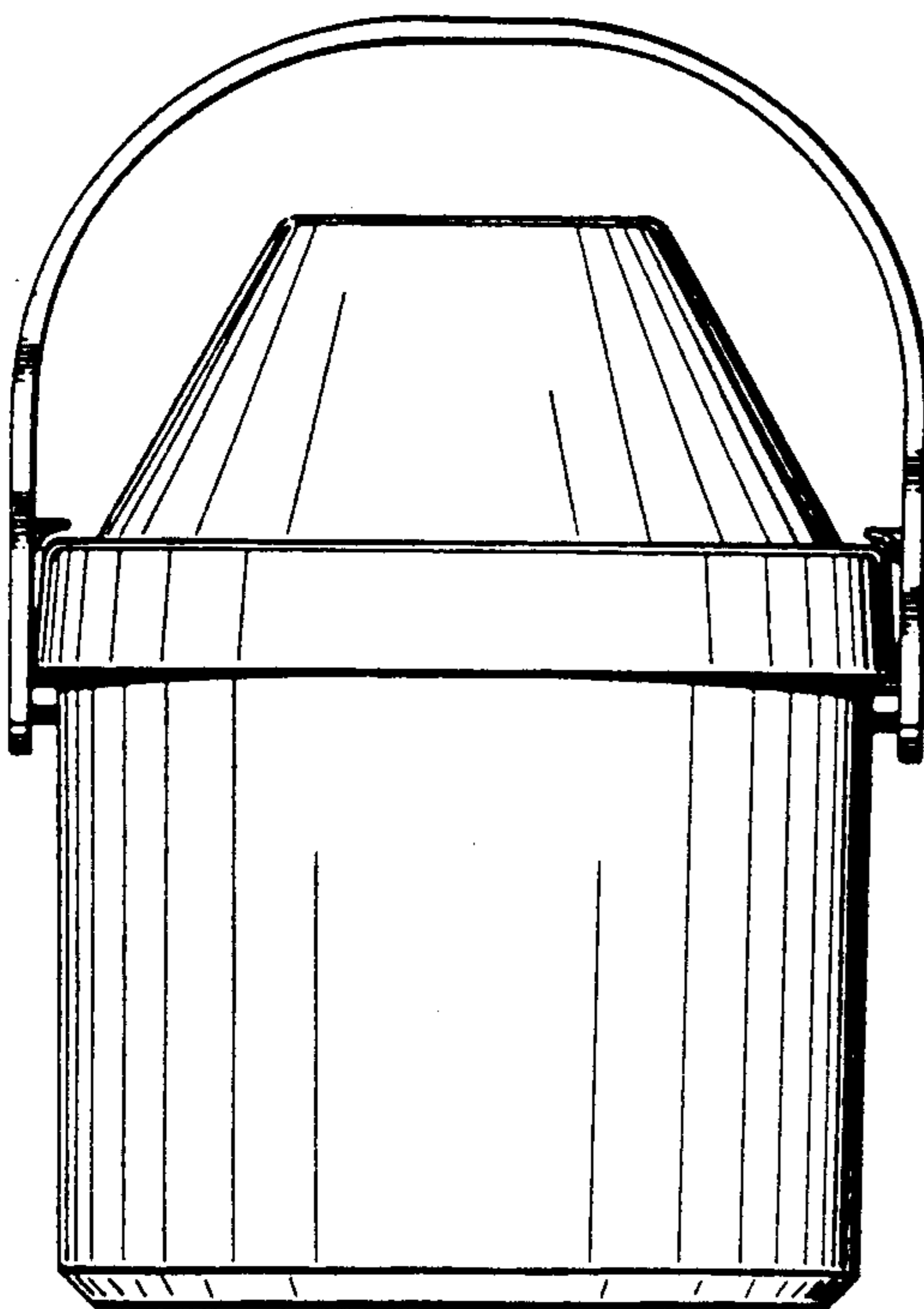


FIG. 5

