

[54] CONTROL PANEL FOR A MICROFILMER

[75] Inventor: David R. Gotham, Rochester, N.Y.

[73] Assignee: Eastman Kodak Company,
Rochester, N.Y.

[**] Term: 14 Years

[21] Appl. No.: 166,845

[22] Filed: Mar. 10, 1988

[52] U.S. Cl. D18/41

[58] Field of Search D18/36-41;
D10/46; D13/164; D14/100, 115; 340/700,
815.01, 815.12, 815.13

[56] References Cited

U.S. PATENT DOCUMENTS

D. 234,603 3/1975 Snow et al. D10/46 X
D. 270,727 9/1983 Gonzales D14/100
D. 275,105 8/1984 Kuschewski et al. D14/115
D. 276,320 11/1984 Thalmair D13/164 X

D. 289,396 4/1987 Wilson et al. D14/100
D. 308,049 5/1990 Dennett D14/100

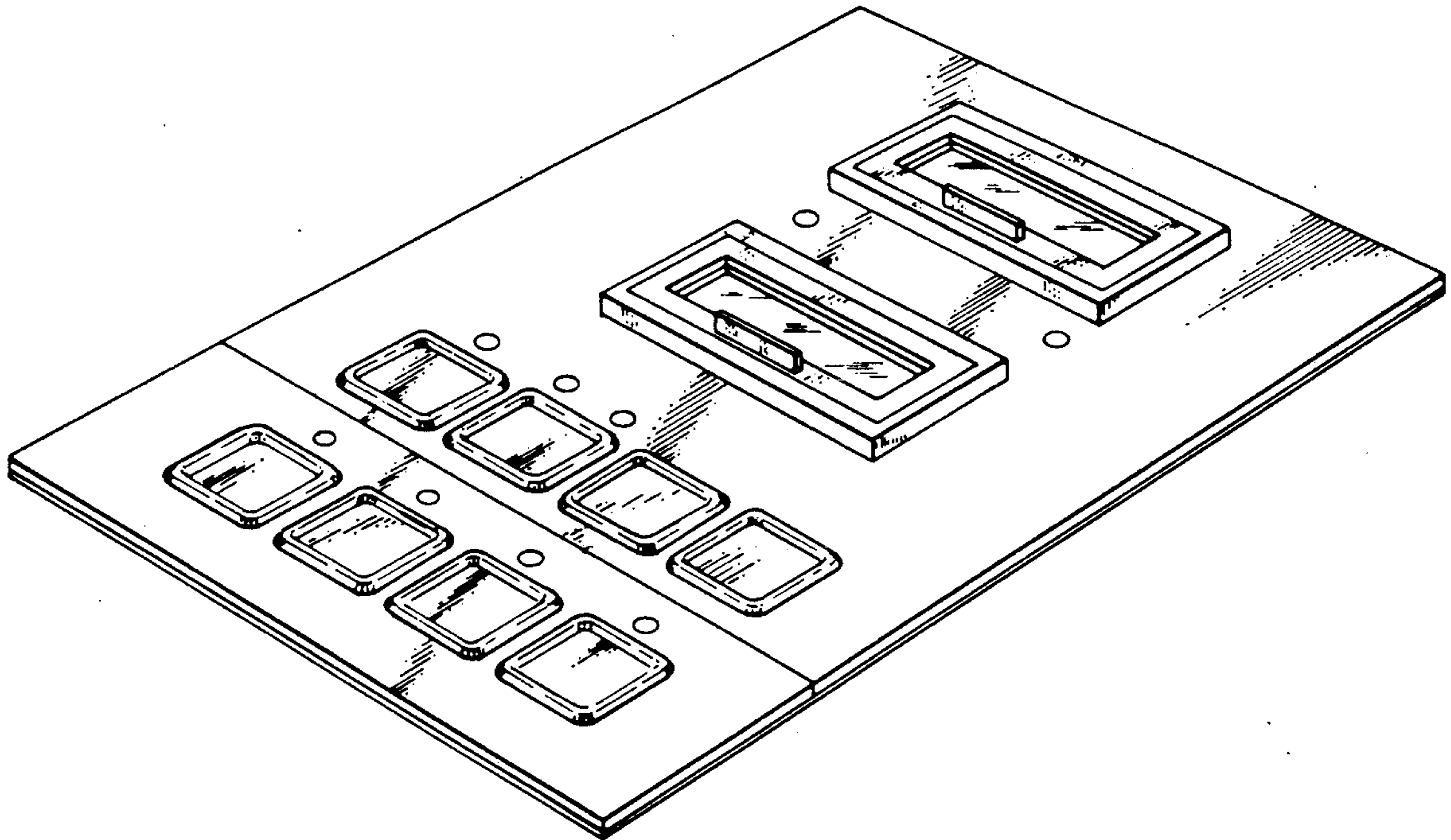
Primary Examiner—Nelson C. Holtje
Assistant Examiner—Caron D. Veynar
Attorney, Agent, or Firm—Dennis R. Arndt

[57] CLAIM

The ornamental design for a control panel for a micro-filmer, as shown and described.

DESCRIPTION

FIG. 1 is a top plan view of a control panel for a micro-filmer showing my new design;
FIG. 2 is a right side elevational view;
FIG. 3 is a left side elevational view;
FIG. 4 is a front elevational view;
FIG. 5 is a rear elevational view;
FIG. 6 is a right, front and top perspective view thereof.
The broken line showings of the underneath structure in FIGS. 2-5 are environmental only and form no part of the claimed design.



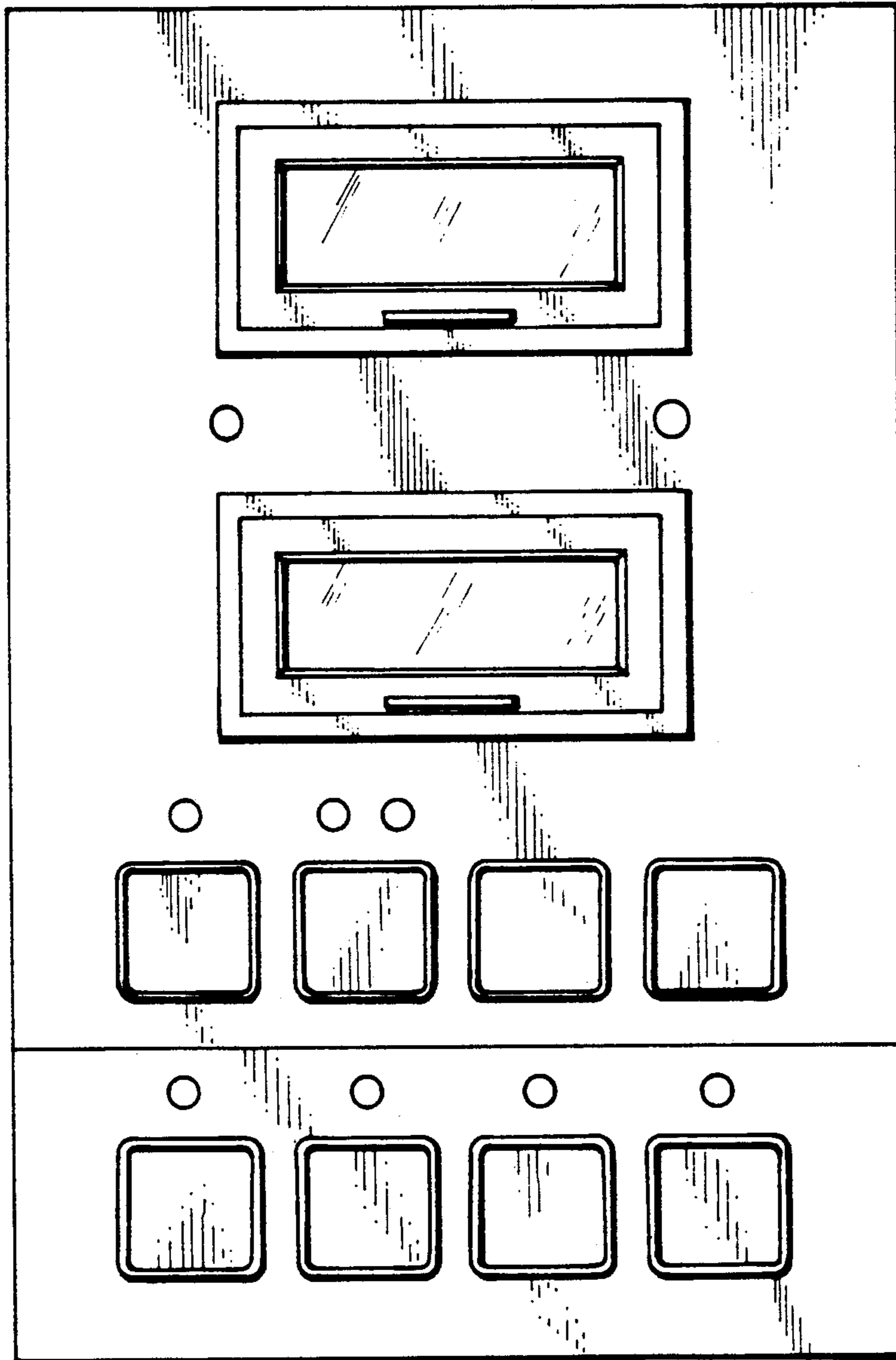


FIG. 1

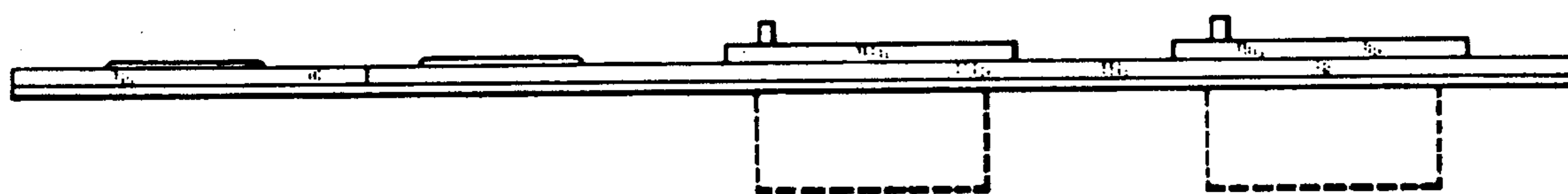


FIG. 2

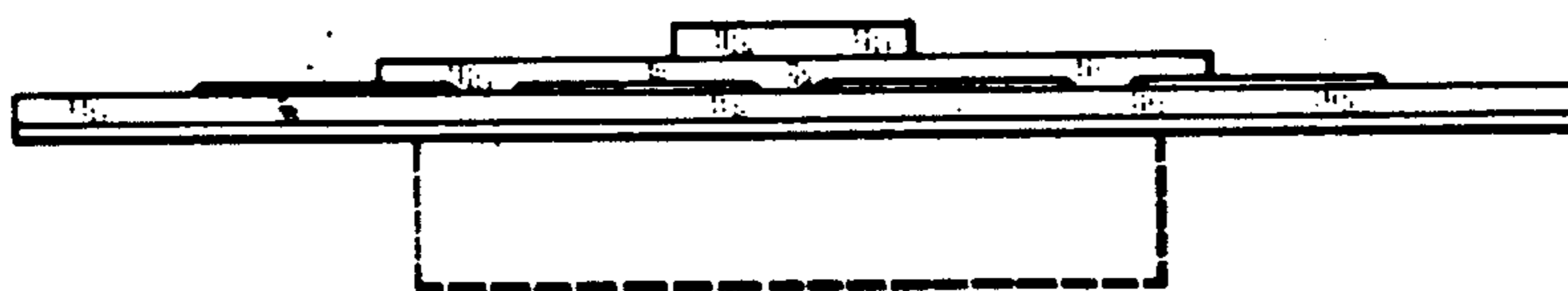


FIG. 4

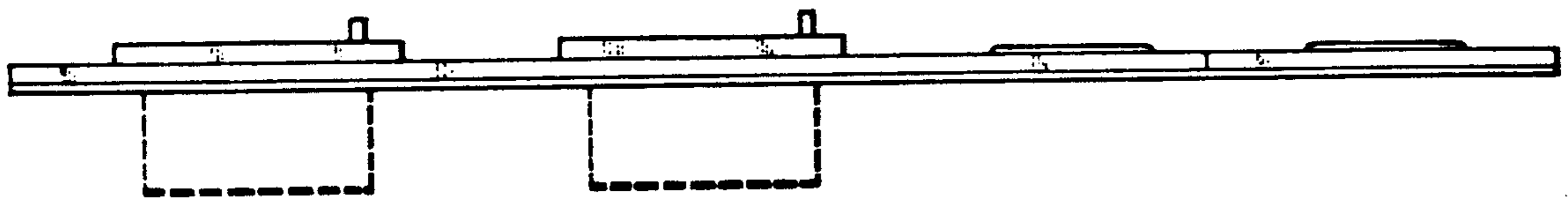


FIG. 3

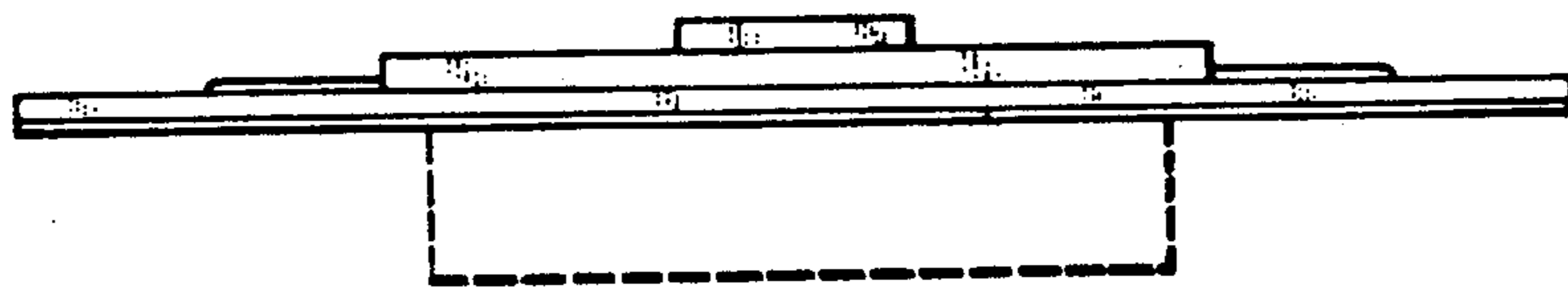


FIG. 5

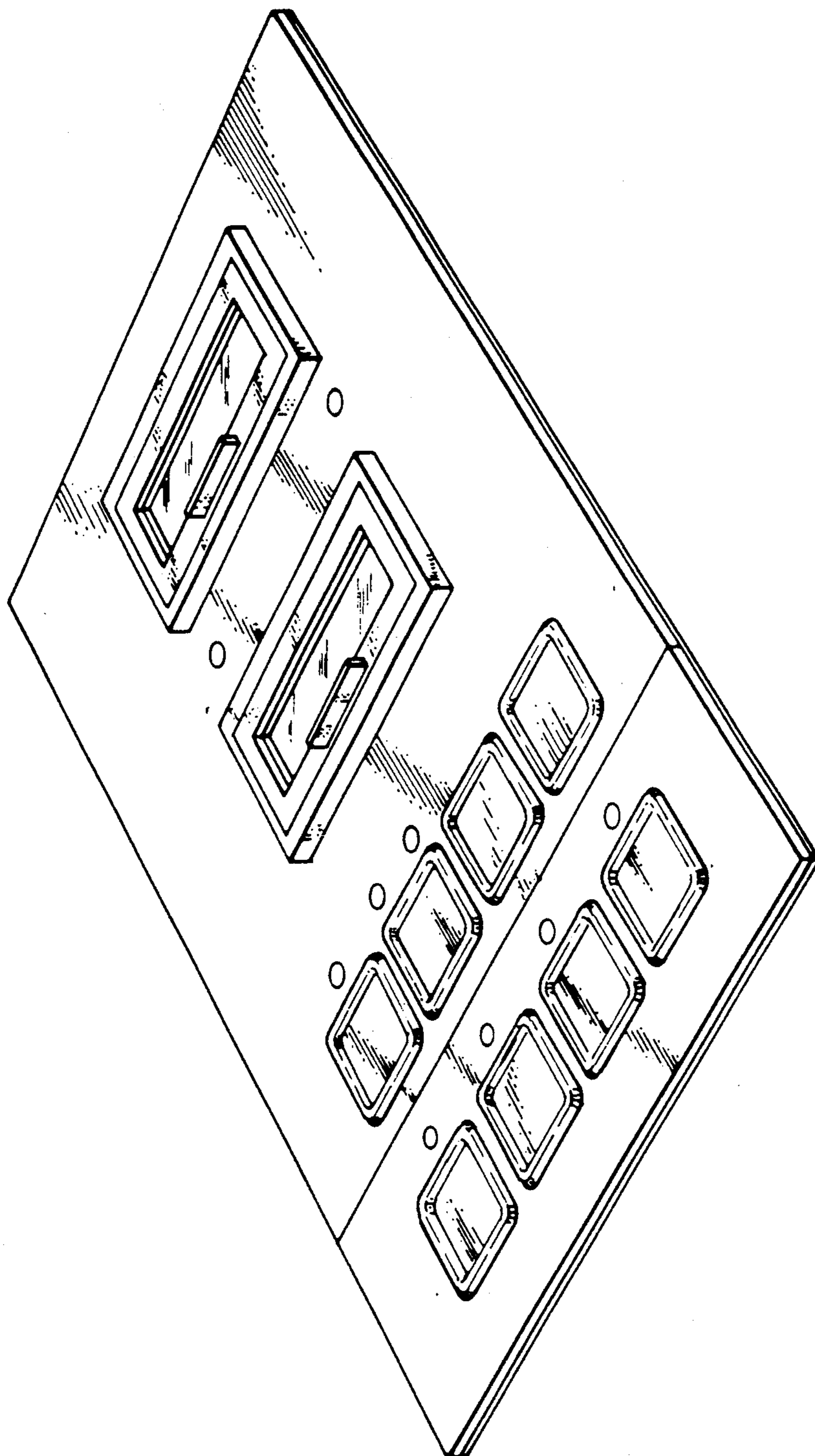


FIG. 6