

United States Patent [19]

Lathrop, Jr. et al.

[11] Patent Number: Des. 320,407

[45] Date of Patent: ** Oct. 1, 1991

[54] PAPER PUNCH AND BINDING MACHINE

[75] Inventors: Robert L. Lathrop, Jr., San Jose;
Richard D. Phipps, Morgan Hill;
Loren D. Stirling, Pleasanton, all of Calif.

[73] Assignee: Taurus Tetraconcepts, Mountain View, Calif.

[**] Term: 14 Years

[21] Appl. No.: 353,737

[22] Filed: May 18, 1989

[52] U.S. Cl. D18/34; D19/72;
D8/50

[58] Field of Search D19/65, 72, 26, 86,
D19/90, 91; D8/50, 102; D18/34, 35; 412/8,
16, 33, 34, 37, 40, 902; 156/908

[56] References Cited

U.S. PATENT DOCUMENTS

D. 287,511	12/1986	Scharer	D18/34
D. 296,115	6/1988	Scharer	D18/34
3,137,874	6/1964	Hildmann et al.	156/908
4,166,404	9/1979	Almog	D19/72

4,240,572	12/1980	Mitsubishi	D19/72
4,405,073	9/1983	Salleras Escalante	D8/50
4,872,796	10/1989	Hsieh et al.	412/16

OTHER PUBLICATIONS

Acco, The Action Line advertisement; Cat. #SC-5-0-469.

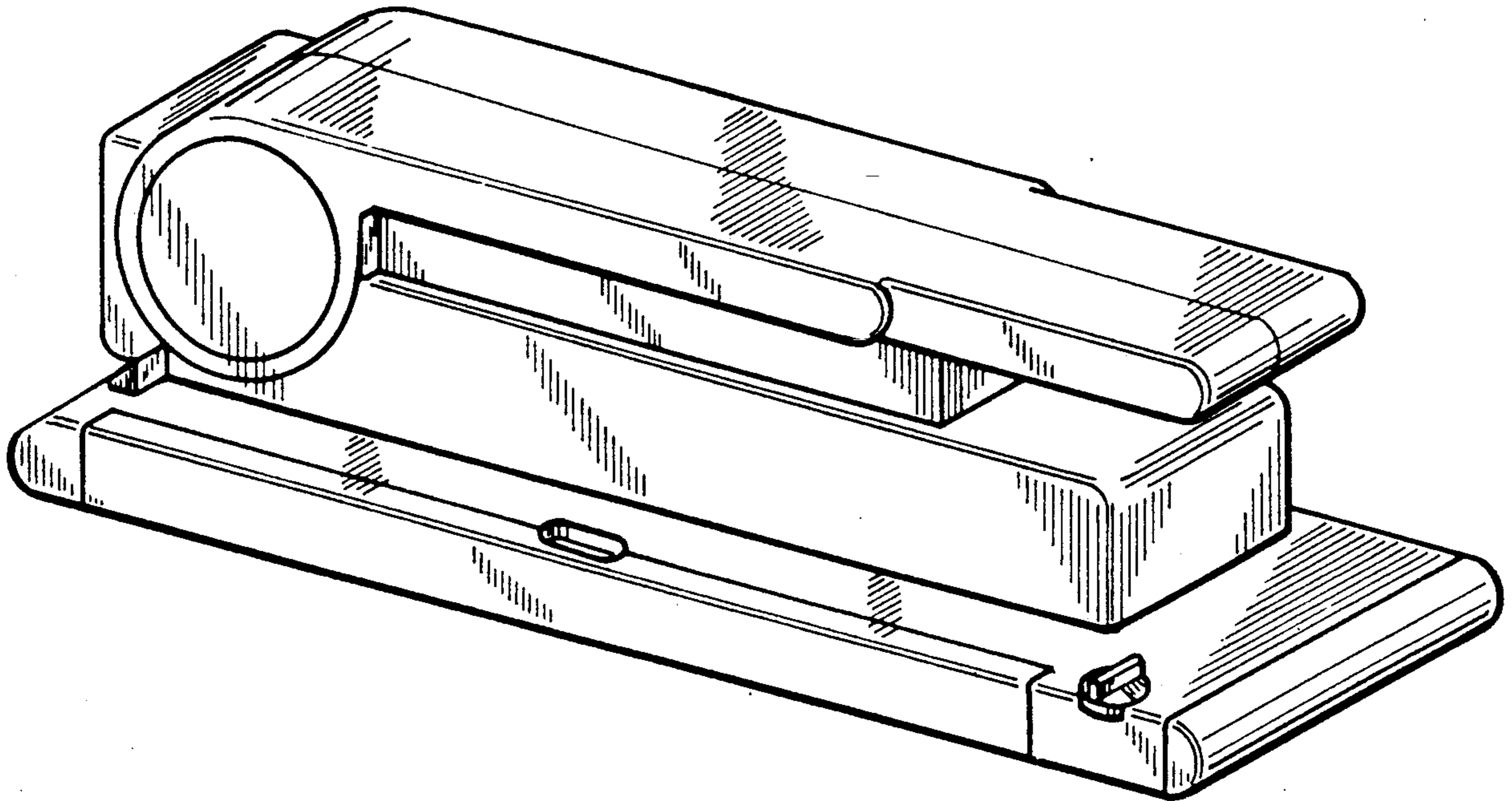
Primary Examiner—A. Hugo Word
Assistant Examiner—CathyAnne MacCormac
Attorney, Agent, or Firm—Skjerven, Morrill,
MacPherson, Franklin & Friel

[57] CLAIM

The ornamental design for a paper punch and binding machine, as shown and described.

DESCRIPTION

FIG. 1 is a perspective view of a paper punch and binding machine showing our new design;
FIG. 2 is a top plan view thereof;
FIG. 3 is a left side elevational view thereof;
FIG. 4 is a right side elevational view thereof;
FIG. 5 is a front elevational view thereof;
FIG. 6 is a rear elevational view thereof; and
FIG. 7 is a bottom plan view thereof.



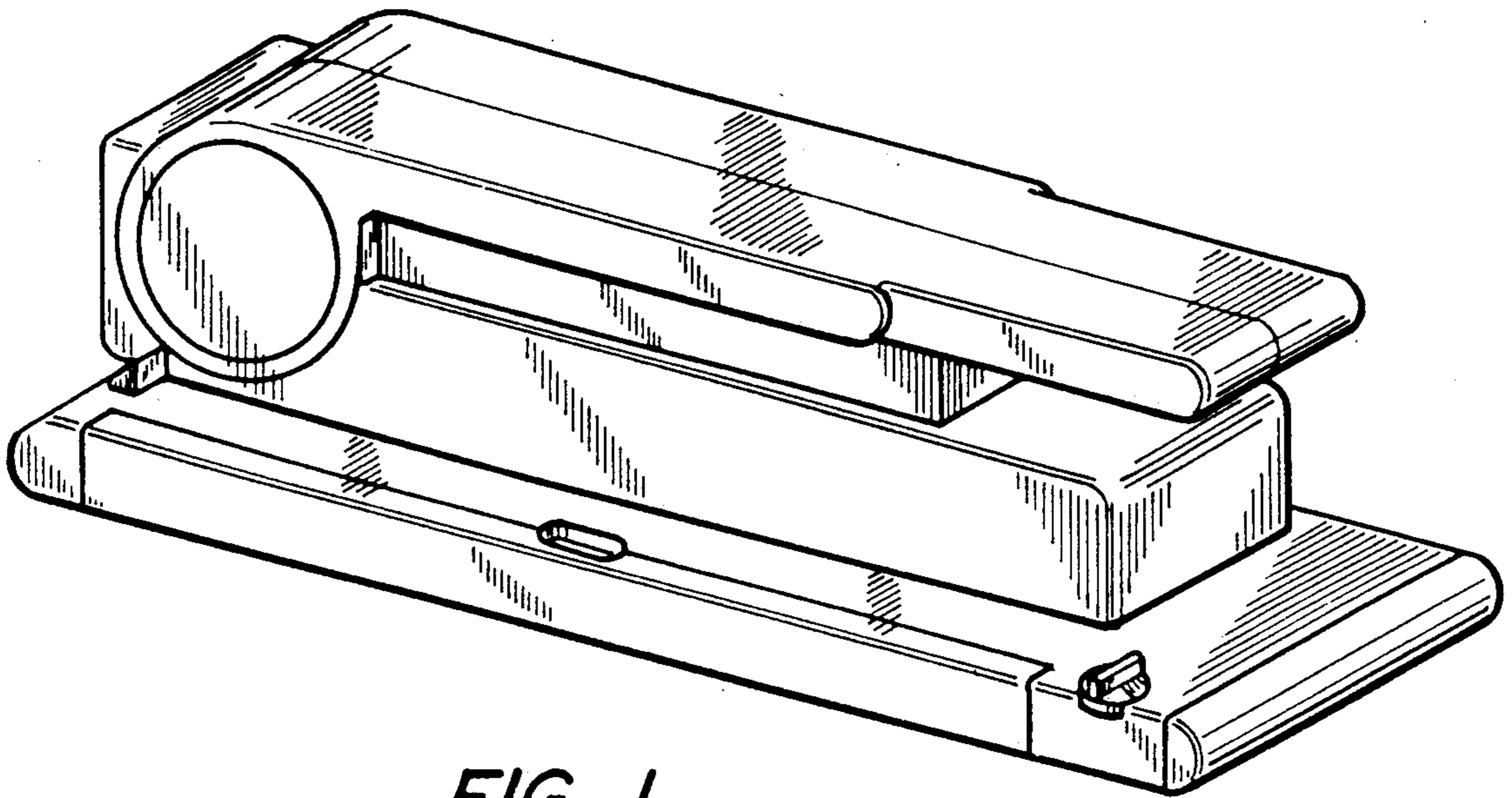


FIG. 1

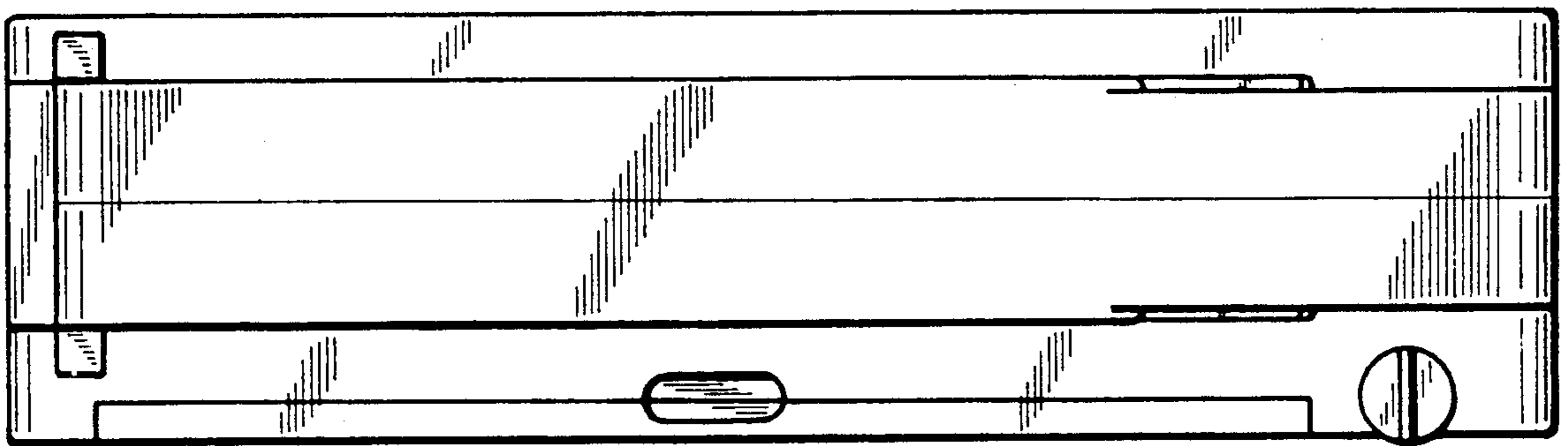


FIG. 2

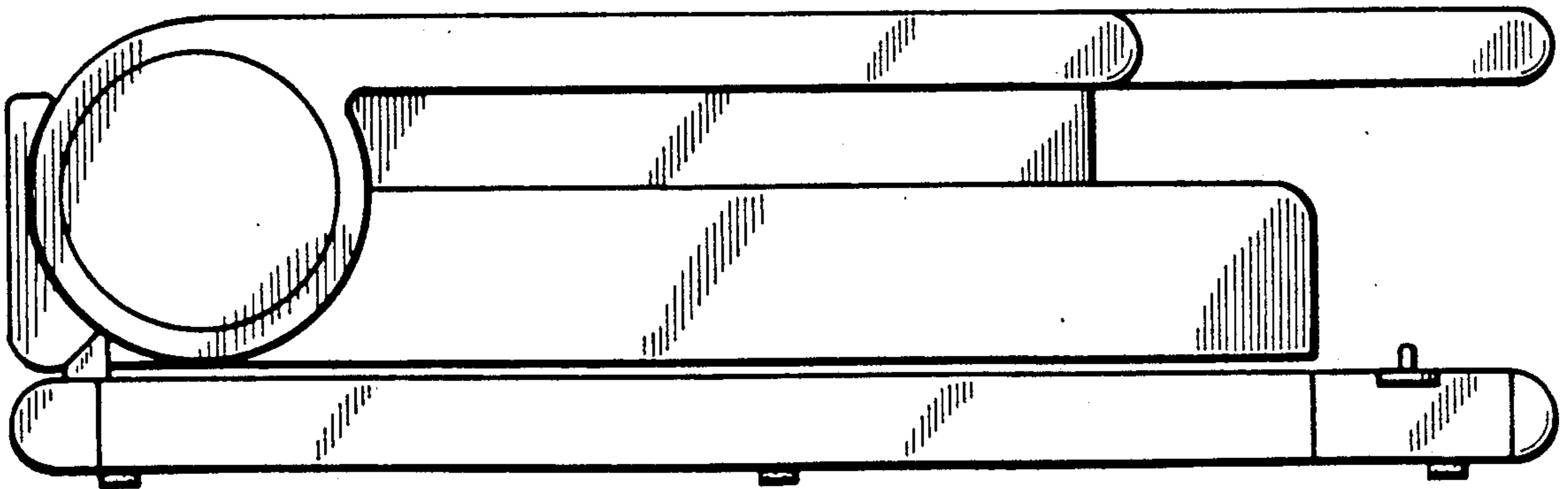


FIG. 3

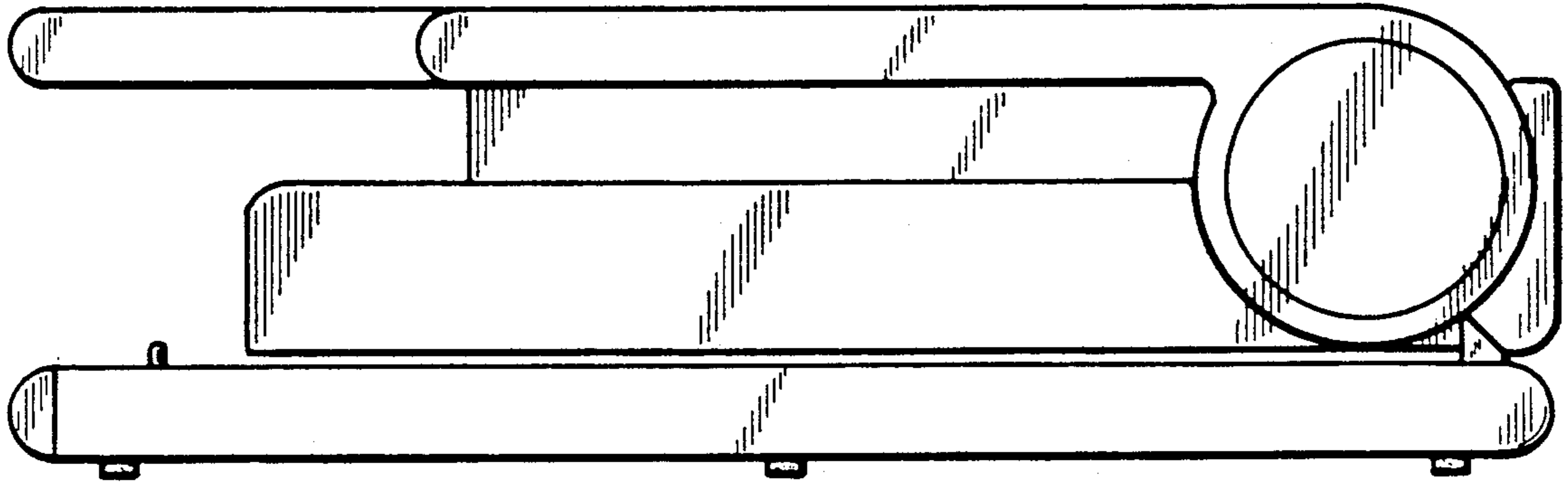


FIG. 4

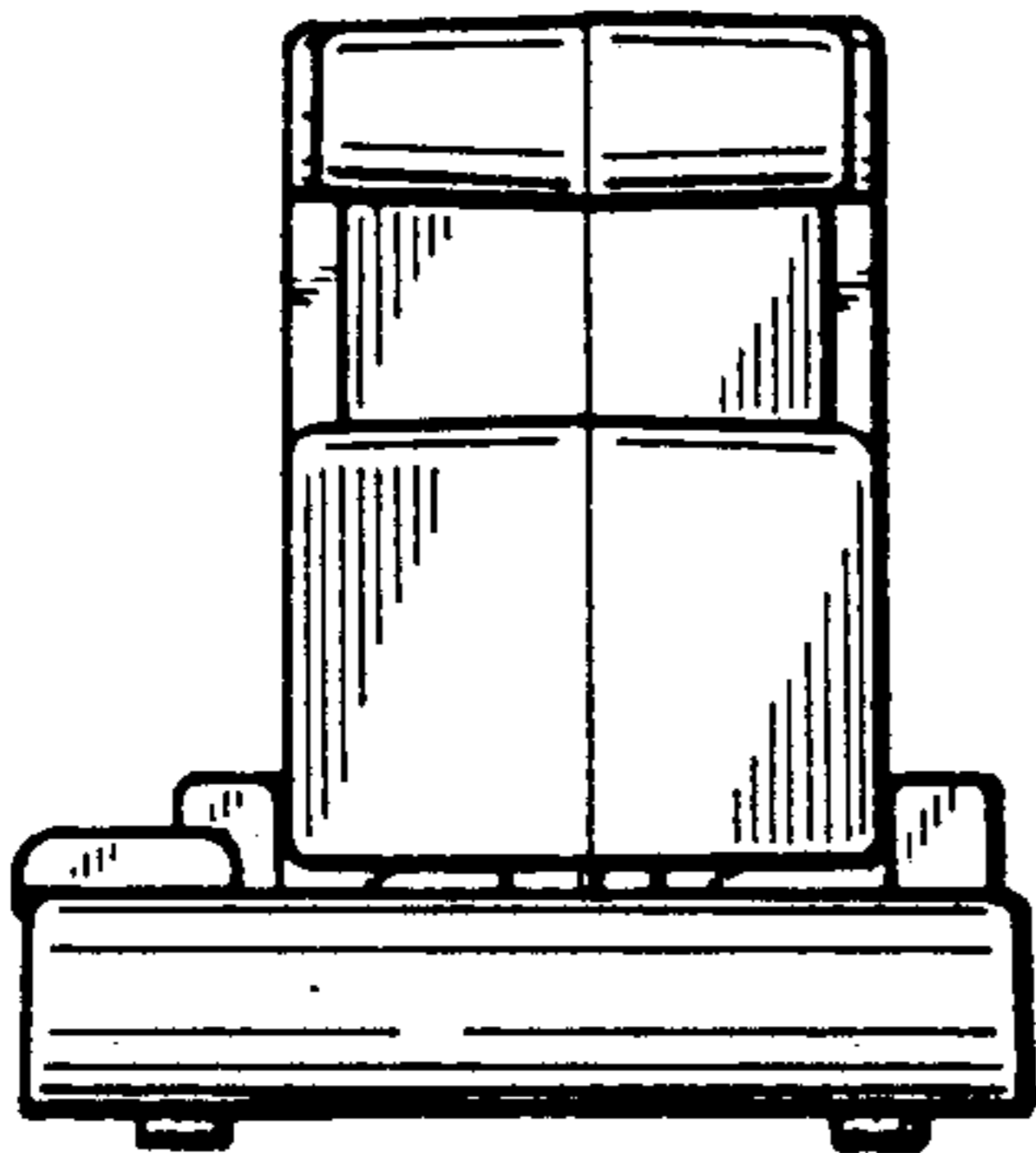


FIG. 5

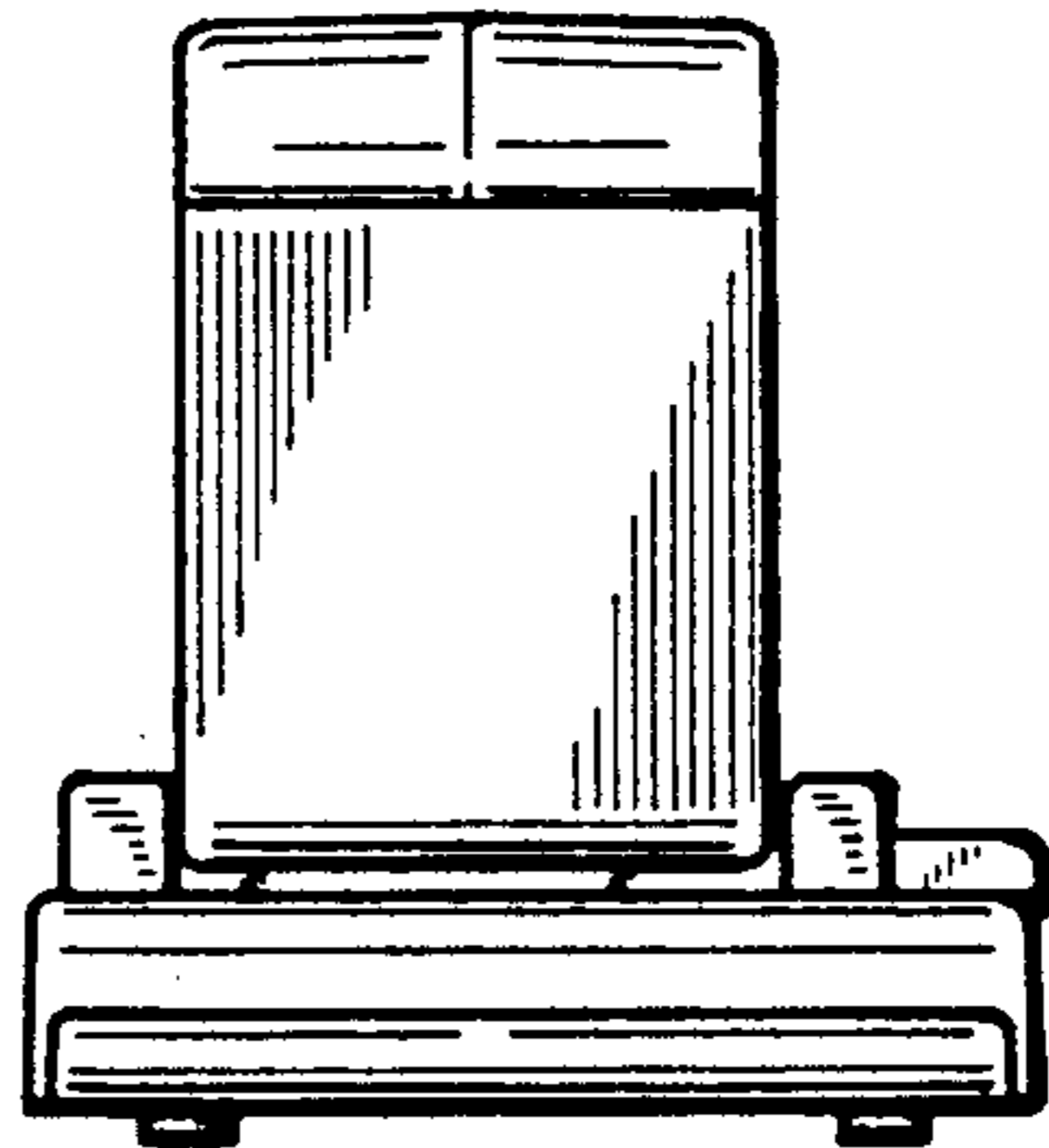


FIG. 6

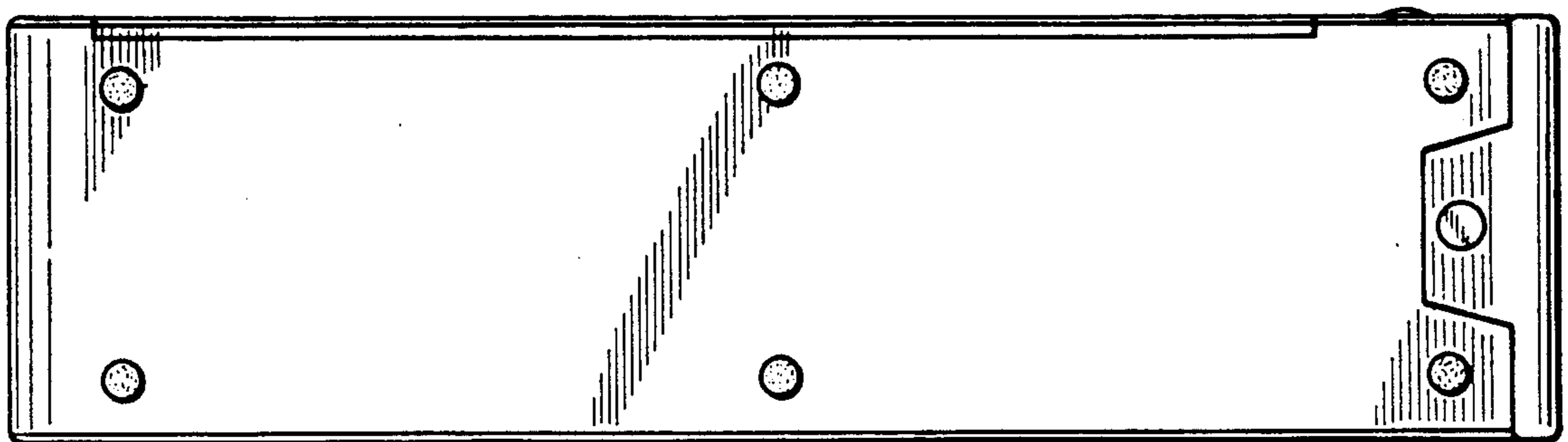


FIG. 7