

[54] BINOCULAR GLASSES

[76] Inventor: Rita F. Hodges, 5558 B St., SE., Washington, D.C. 20019

[\*\*] Term: 14 Years

[21] Appl. No.: 277,217

[22] Filed: Nov. 29, 1988

[52] U.S. Cl. .... D16/102; D16/103; D16/108; D16/121

[58] Field of Search ..... D16/102, 133, 134, 135, D16/108, 110; 2/13; 351/44, 47

[56] References Cited

U.S. PATENT DOCUMENTS

D. 167,033	6/1952	Githens et al. ....	D16/108
D. 280,830	10/1985	Levoy .....	D16/102 X
D. 294,951	3/1988	Shelton et al. ....	D16/102
D. 296,337	6/1988	Caplan .....	D16/133
2,949,609	8/1960	Sager .....	2/13
3,010,364	11/1961	Lindblom .....	2/13 X
4,890,910	1/1990	Gazeley .....	351/47

4,973,148 11/1990 Gazeley ..... 351/47

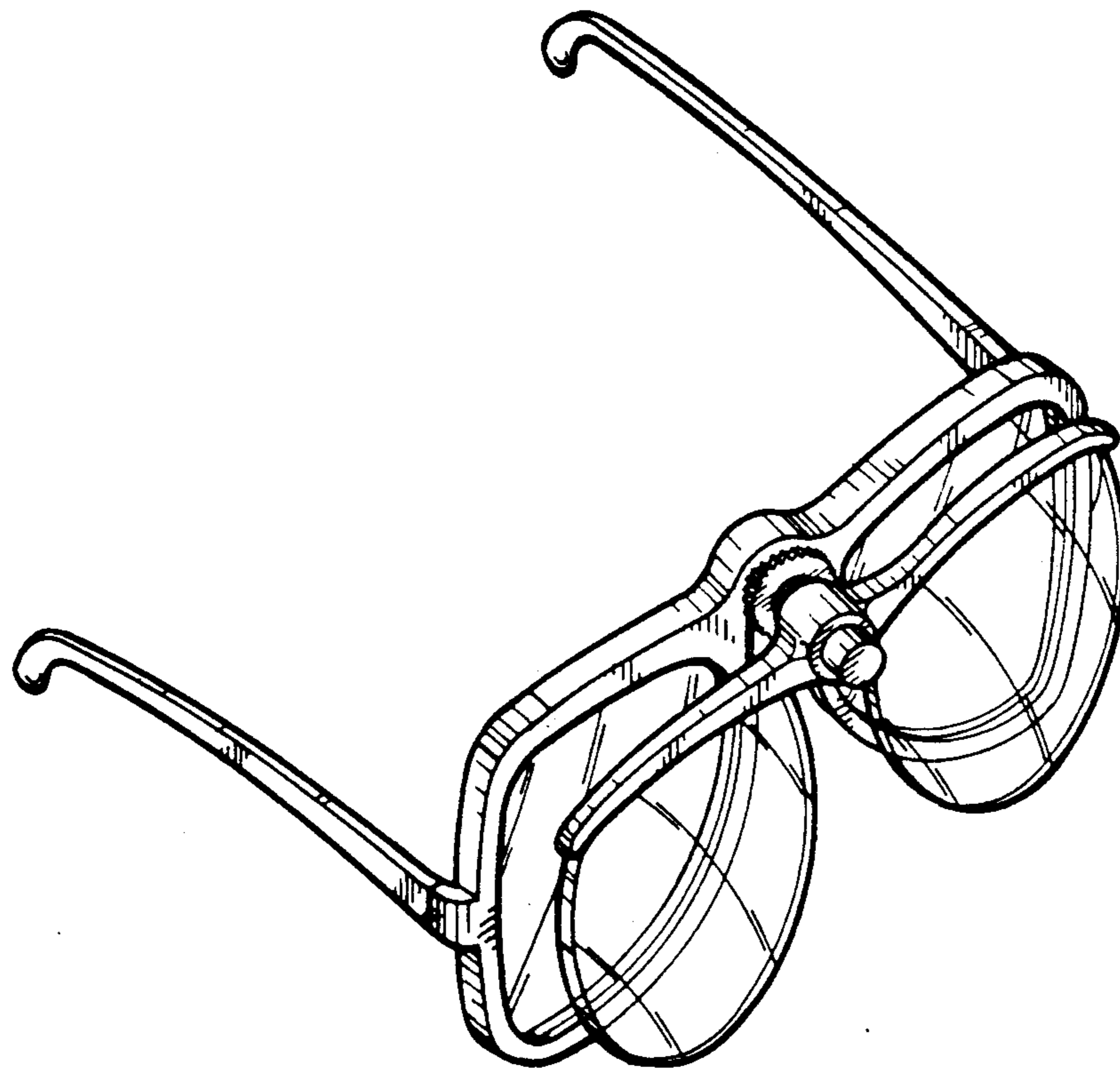
Primary Examiner—Bruce W. Dunkins  
Assistant Examiner—Monica A. Hannon  
Attorney, Agent, or Firm—Richard C. Litman

[57] CLAIM

The ornamental design for a binocular glasses, as shown and described.

DESCRIPTION

FIG. 1 is a perspective view of the binocular glasses showing my new design with accessory lenses in the extended position;  
FIG. 2 is a front elevation view thereof;  
FIG. 3 is a top plan view thereof with the accessory lenses in the retracted position;  
FIG. 4 is a bottom plan view thereof with the accessory lenses in the retracted position;  
FIG. 5 is a side elevation view thereof with the accessory lenses in the retracted position; and  
FIG. 6 is a side elevation view thereof with the accessory lenses in the extended position.



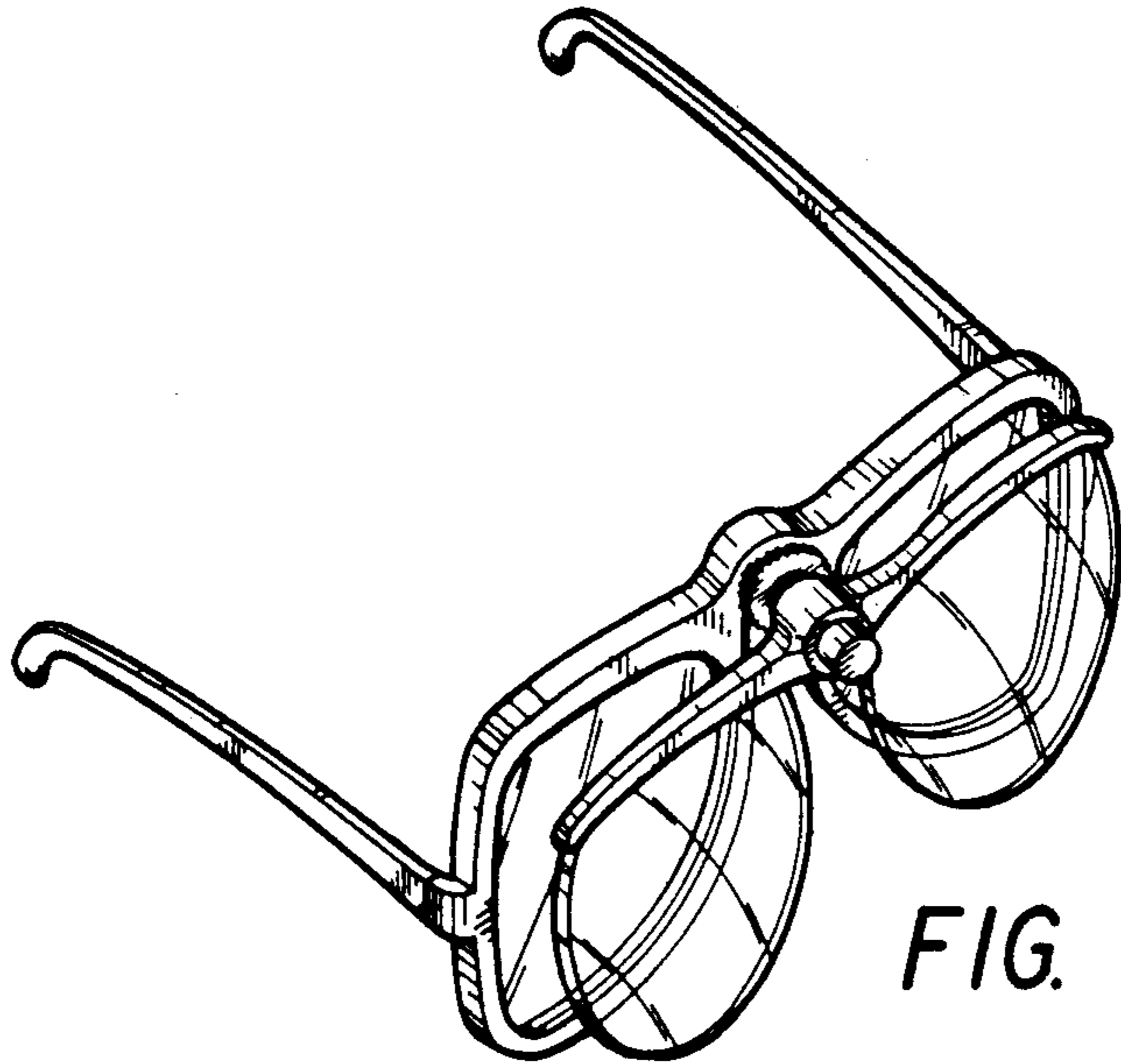


FIG. 1

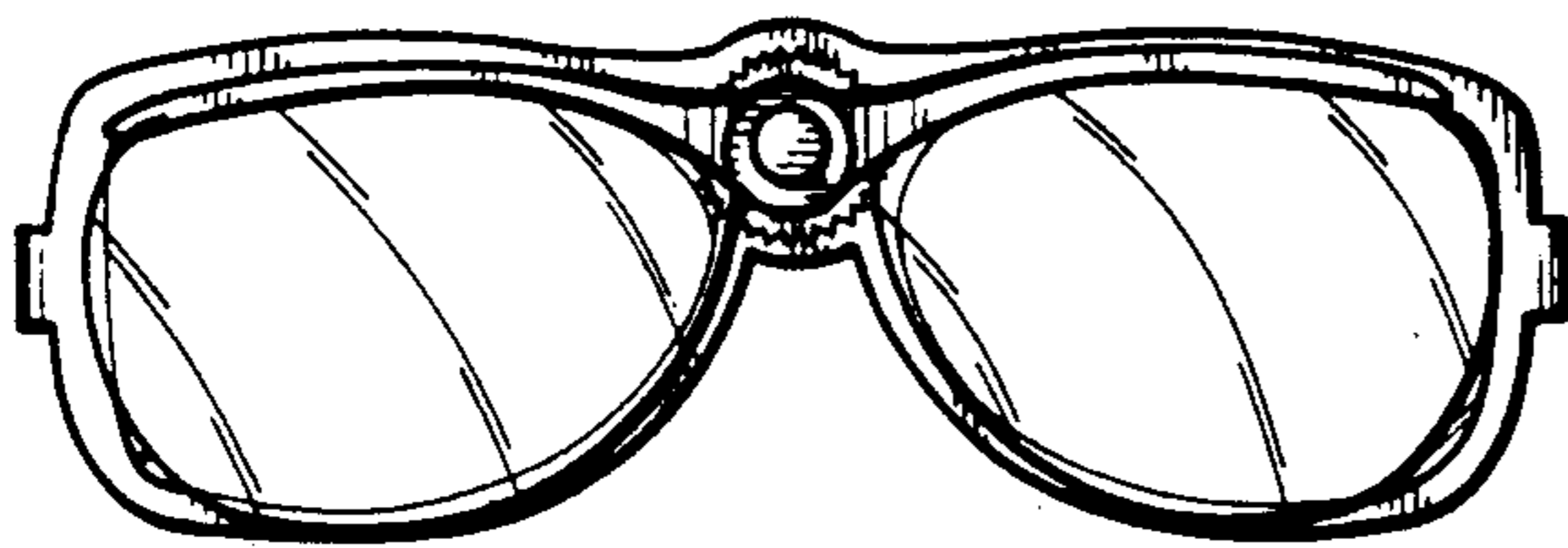


FIG. 2

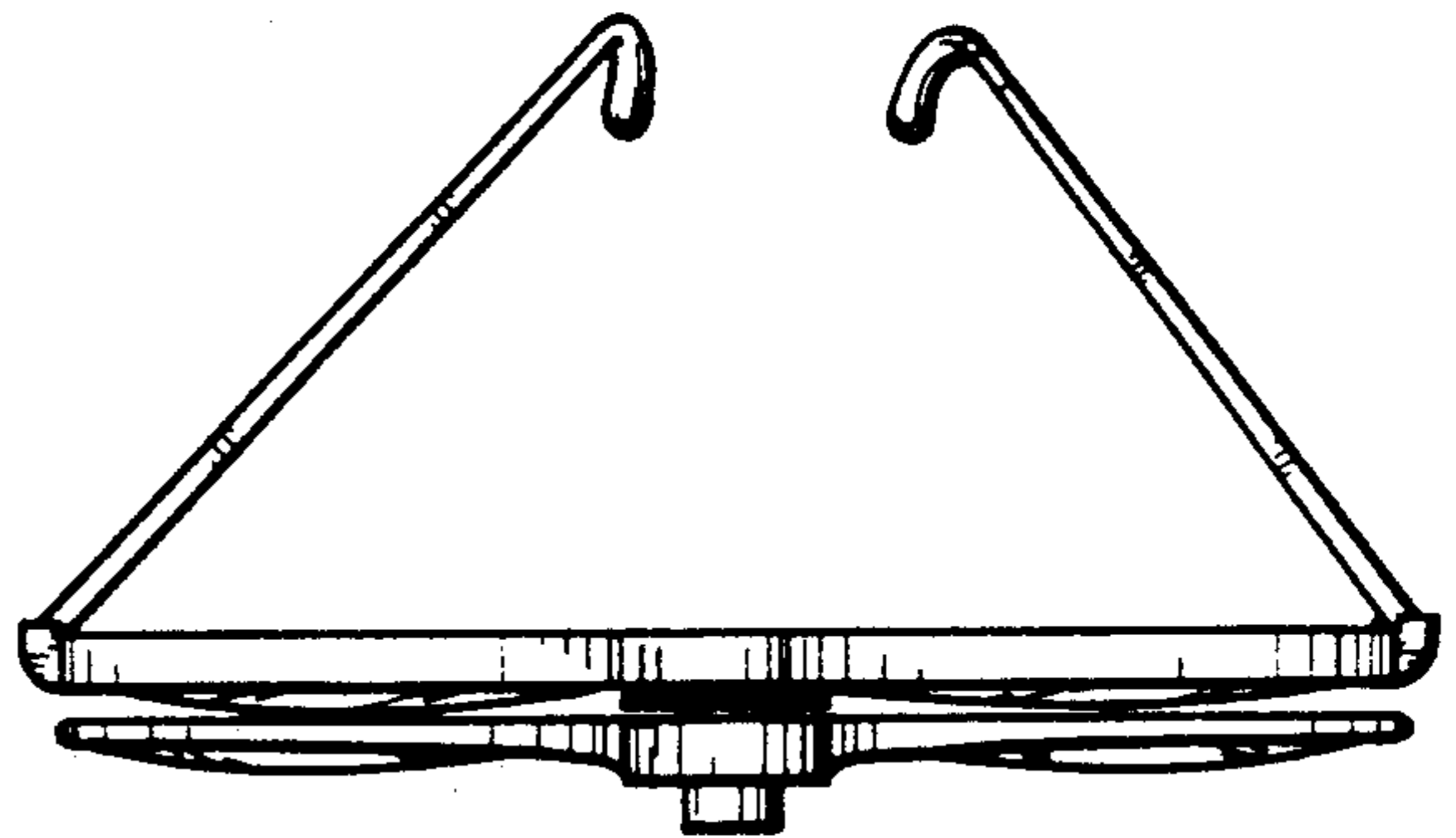


FIG. 3

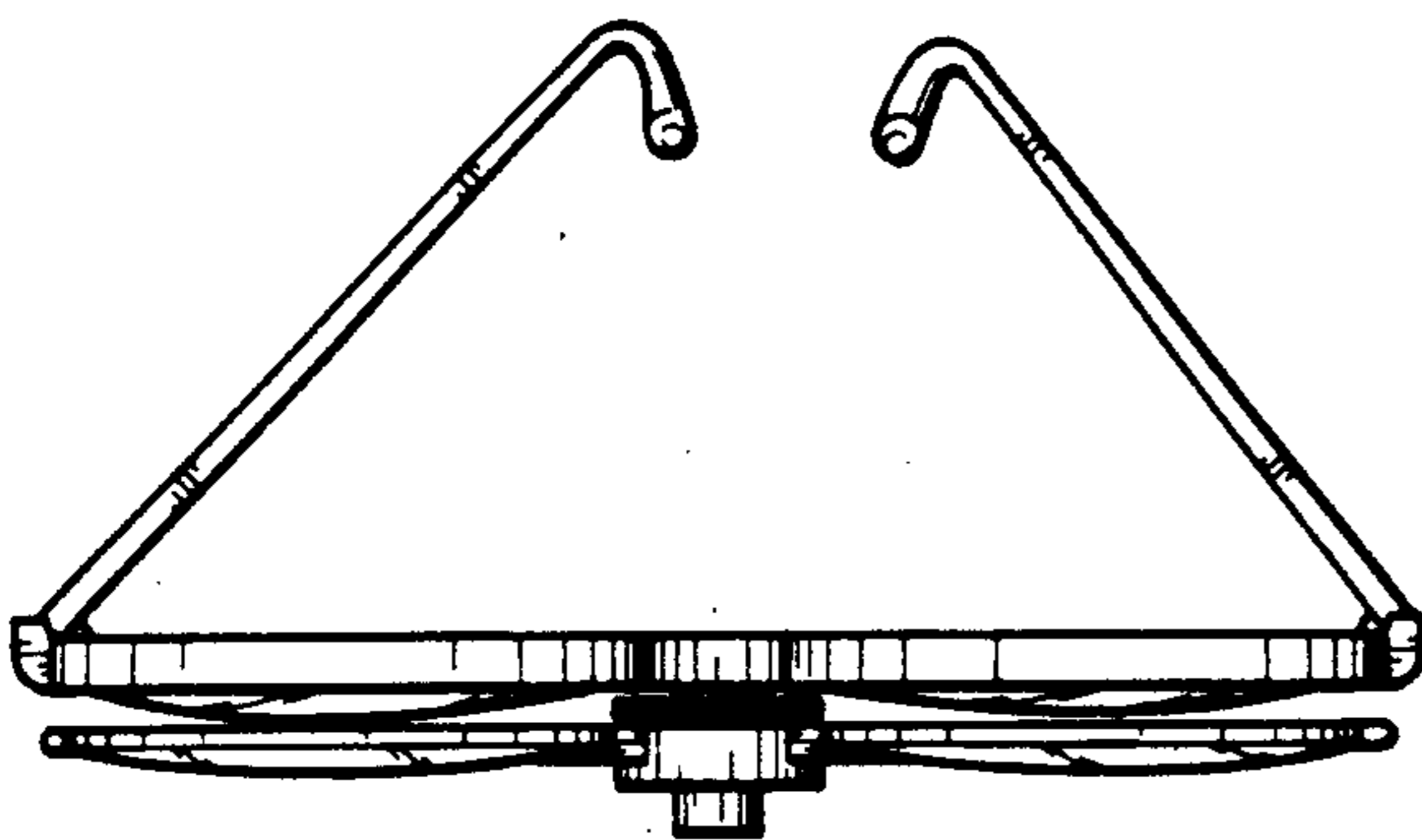


FIG. 4

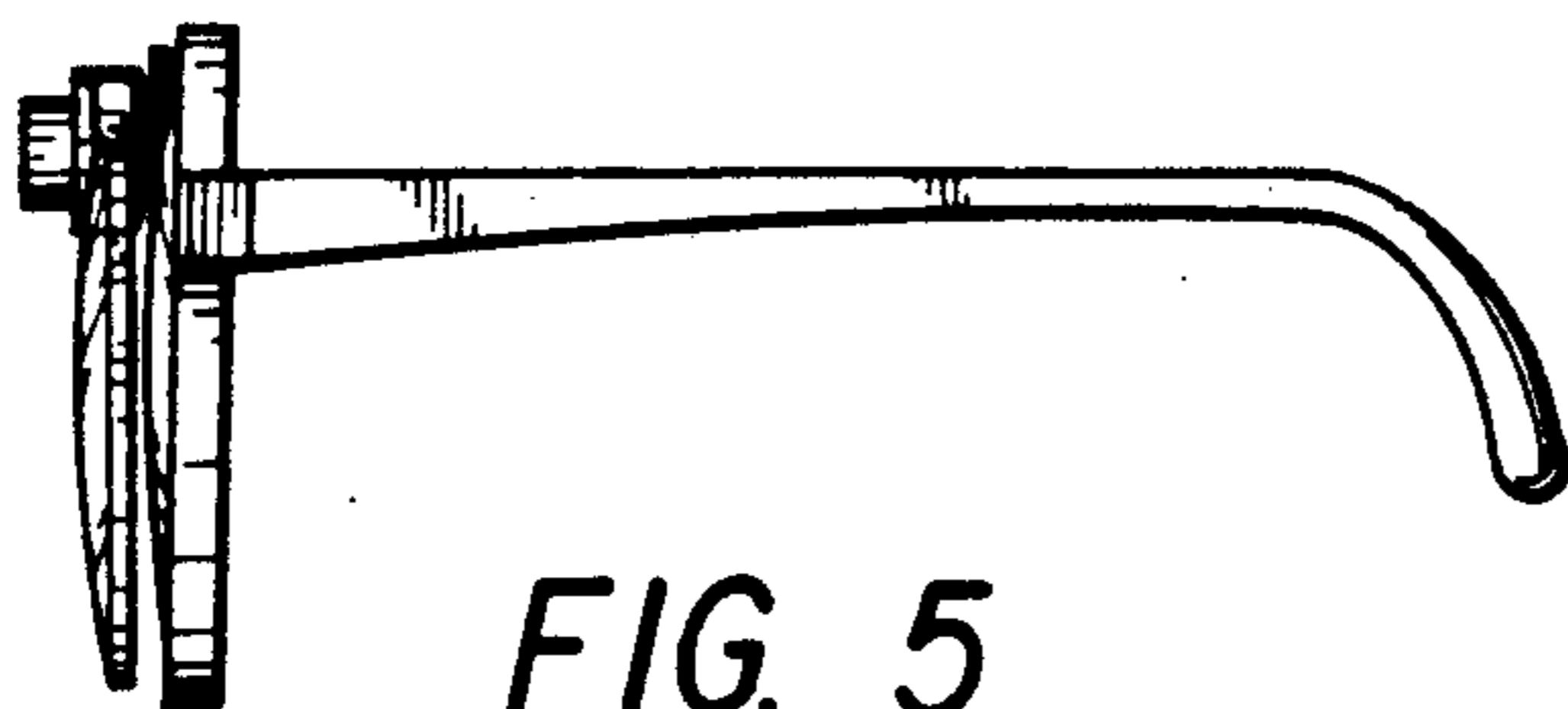


FIG. 5

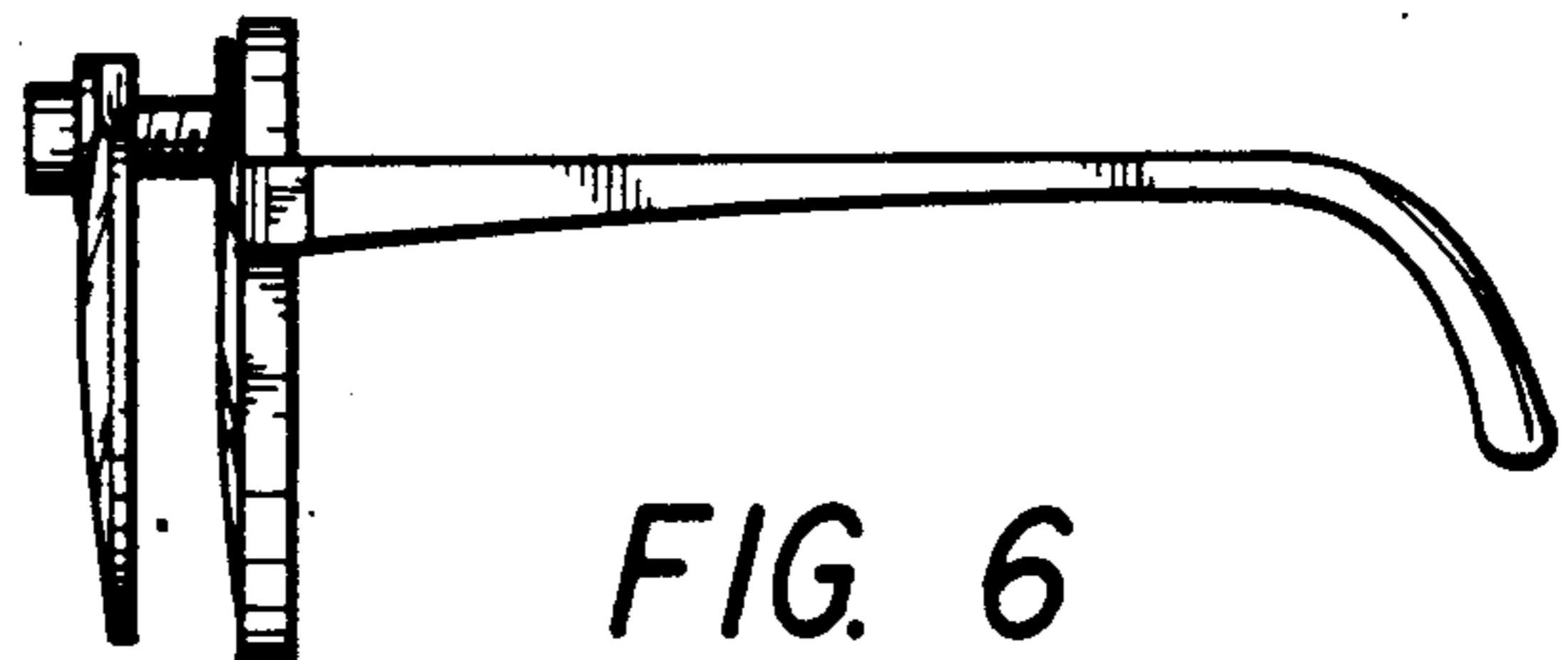


FIG. 6