

[54] COMPUTER DISPLAY

[75] Inventors: Roger C. Williams, Raleigh, N.C.;
Richard Sapper, Milan, Italy

[73] Assignee: International Business Machines
Corporation, Armonk, N.Y.

[**] Term: 14 Years

[21] Appl. No.: 388,554

[22] Filed: Aug. 2, 1989

[52] U.S. Cl. D14/113

[58] Field of Search D14/100, 101, 105, 106,
D14/113, 124, 125, 126; 340/700, 706, 707, 711,
712; 341/22, 23; 358/248, 249, 254;
364/706-710.14; 248/917-923, 349, 371, 372.1,
422, 649

[56] References Cited

U.S. PATENT DOCUMENTS

- D. 278,911 5/1985 Ohnuma et al. D14/113
- D. 302,152 7/1989 Alfonso et al. D14/113
- D. 304,179 10/1989 Beaton et al. D14/113
- D. 305,755 1/1990 Suyama et al. D14/113

- D. 308,053 5/1990 Peart D14/113
- D. 308,196 5/1990 Willnauer D14/113
- D. 310,067 8/1990 Koprowski et al. D14/113 X

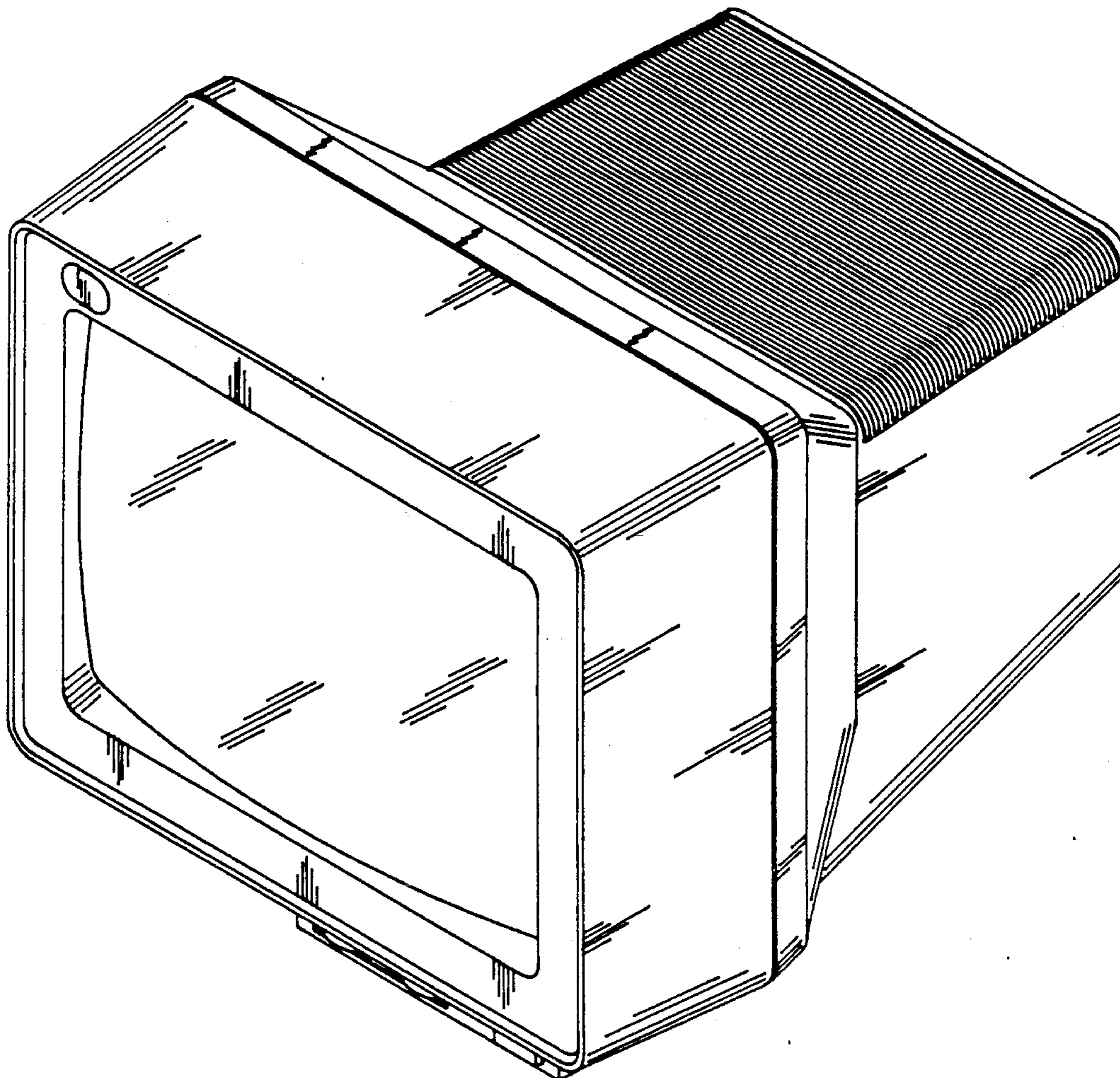
Primary Examiner—Wallace R. Burke
Assistant Examiner—Freda S. Nunn
Attorney, Agent, or Firm—Gerald R. Woods

[57] CLAIM

The ornamental design of a computer display, as shown and described.

DESCRIPTION

FIG. 1 is a top, front right side perspective view of a computer display showing our new design;
FIG. 2 is a front elevational view thereof, on an enlarged scale;
FIG. 3 is a right side elevational view thereof, on an enlarged scale;
FIG. 4 is a left side elevational view thereof, on an enlarged scale;
FIG. 5 is a top plan view thereof, on an enlarged scale;
FIG. 6 is a rear elevational view thereof on an enlarged scale;
FIG. 7 is a bottom plan view thereof, on an enlarged scale.



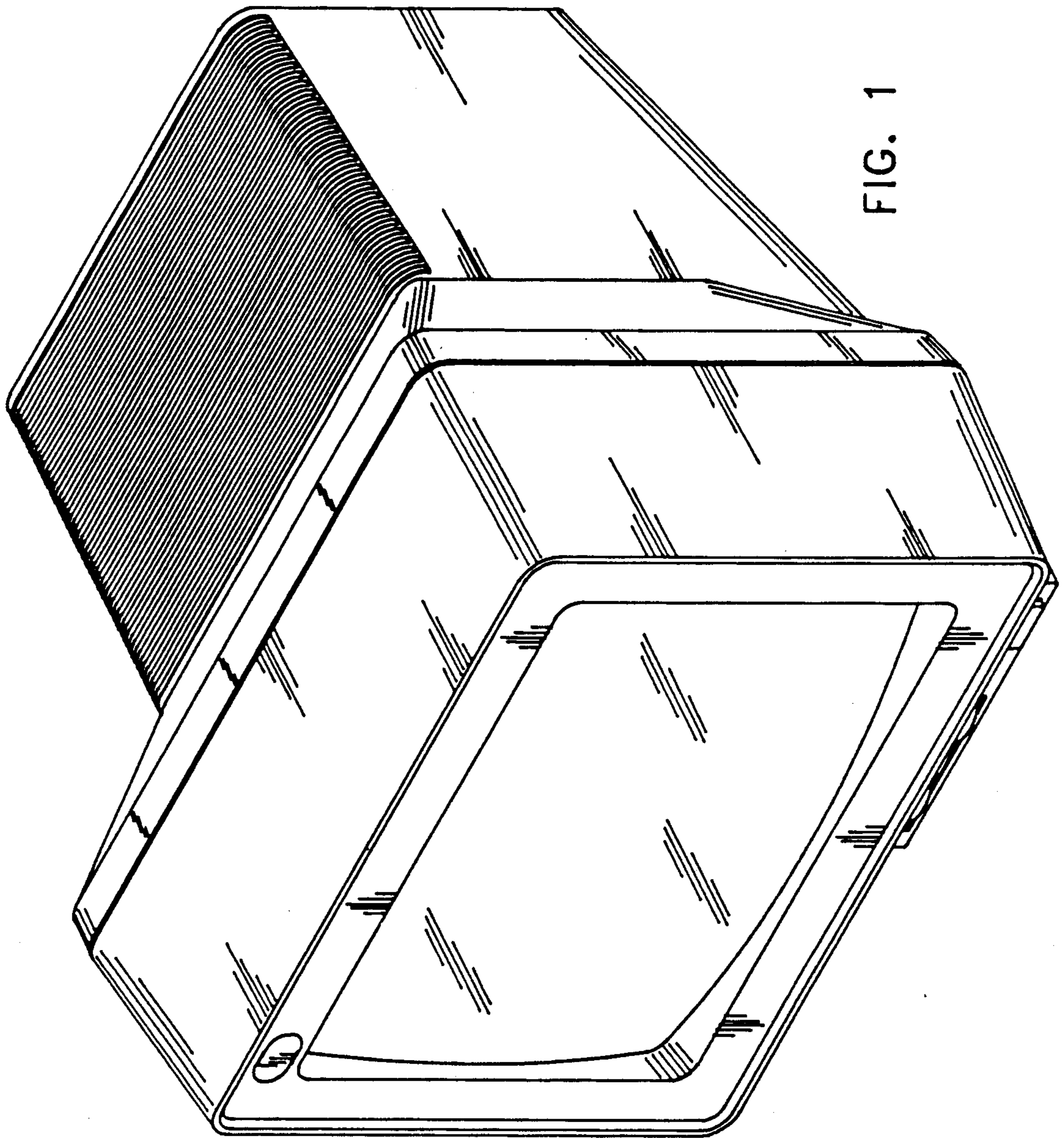


FIG. 1

FIG. 2

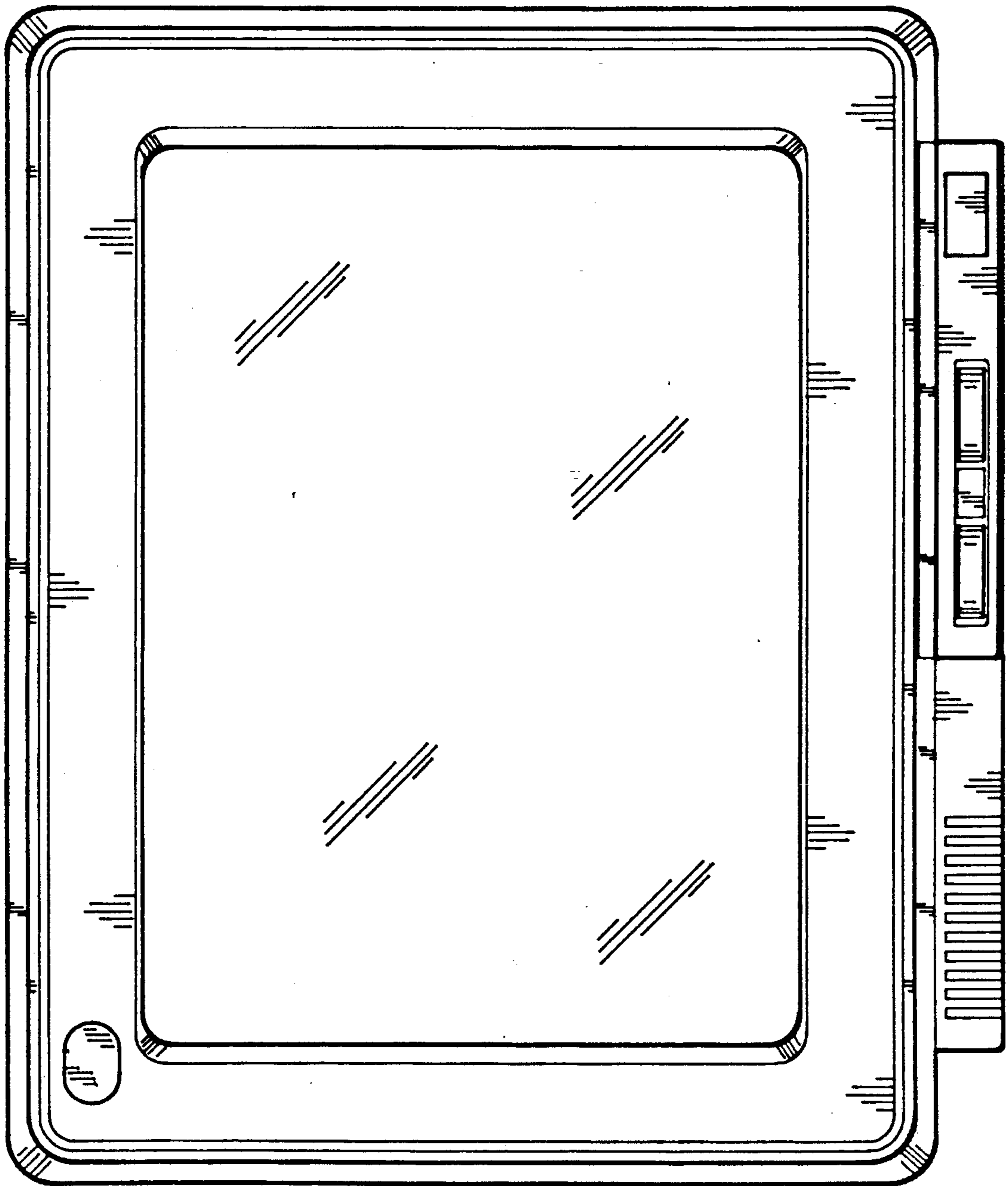


FIG. 3

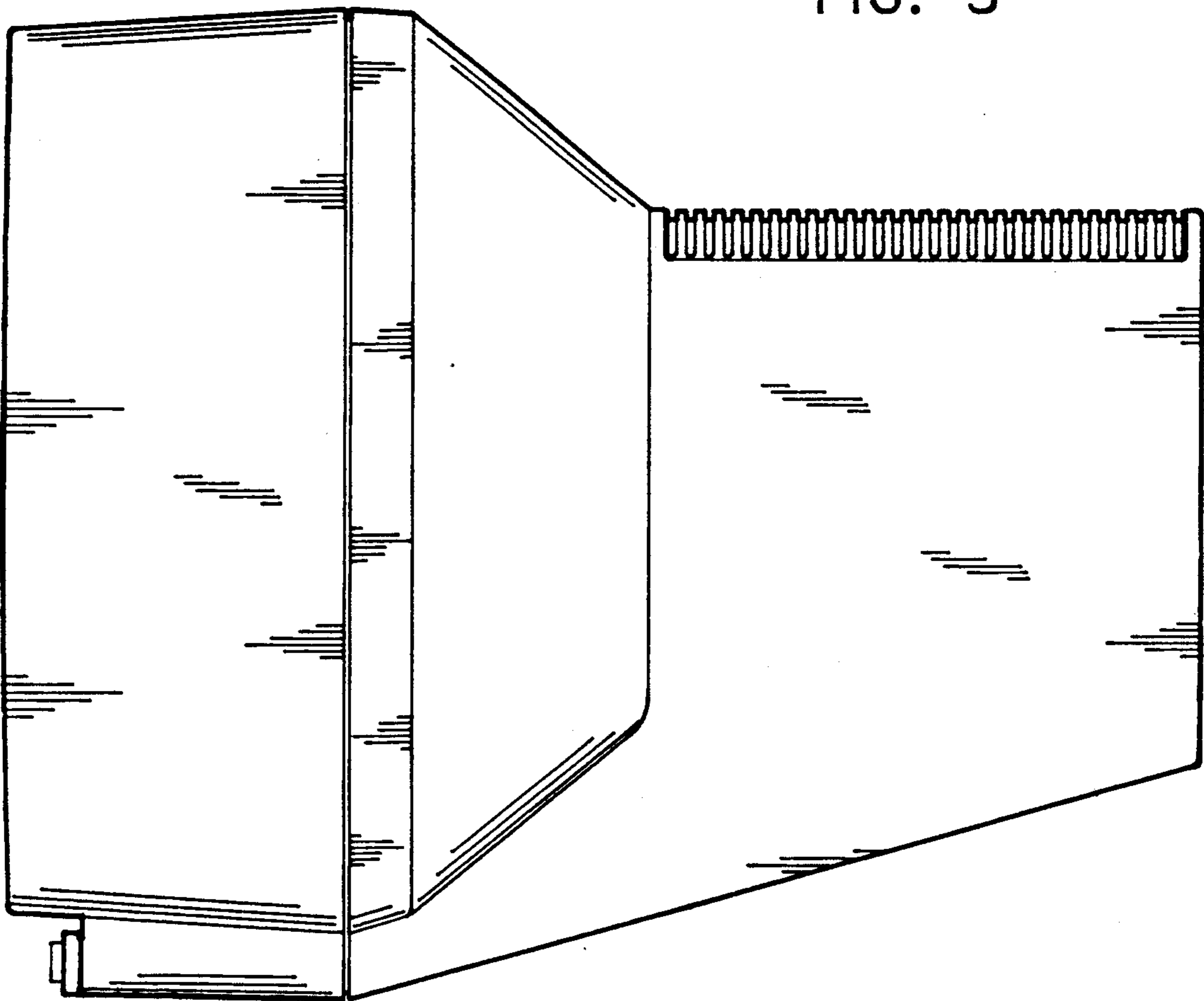


FIG. 4

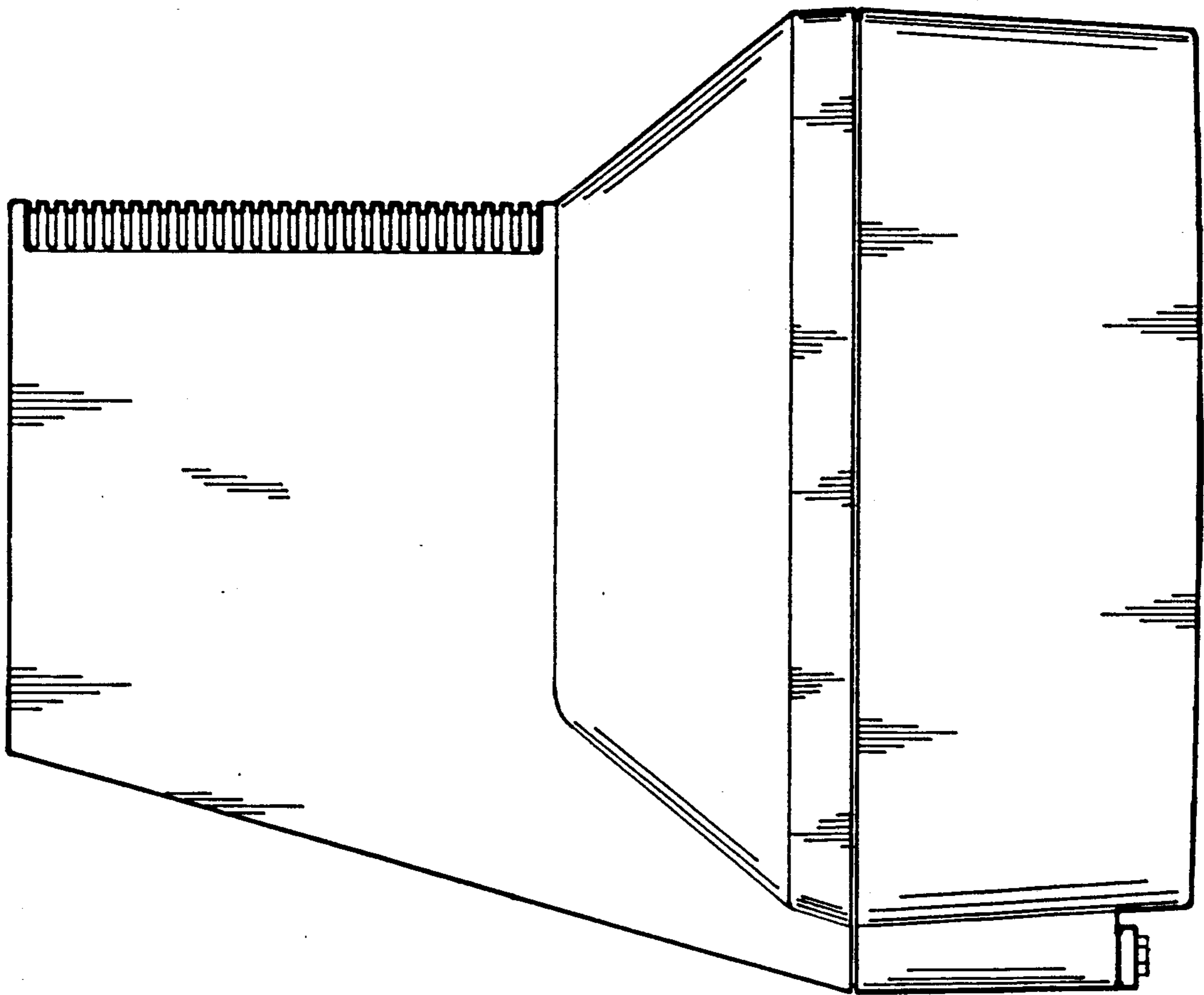


FIG. 5

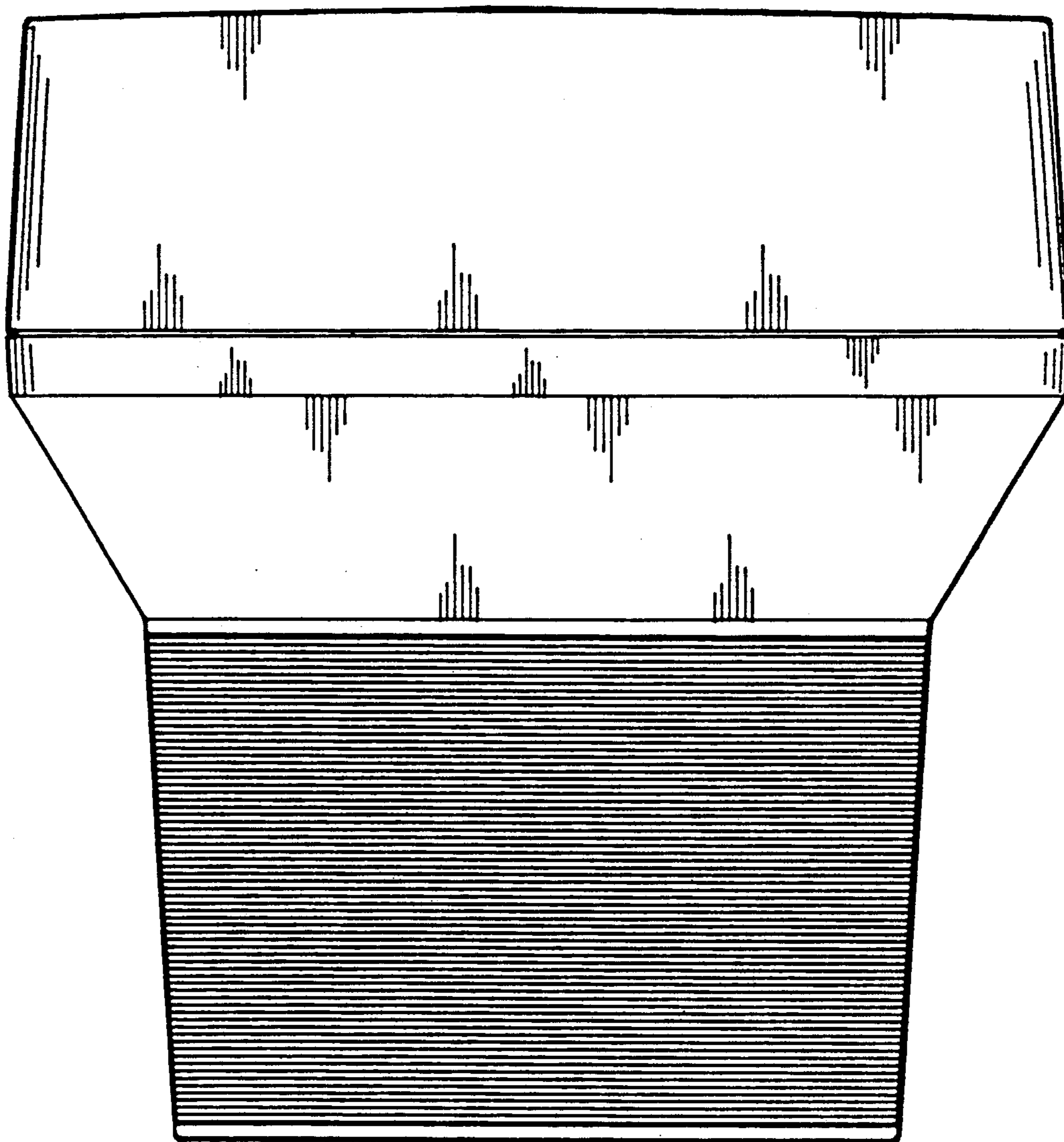


FIG. 6

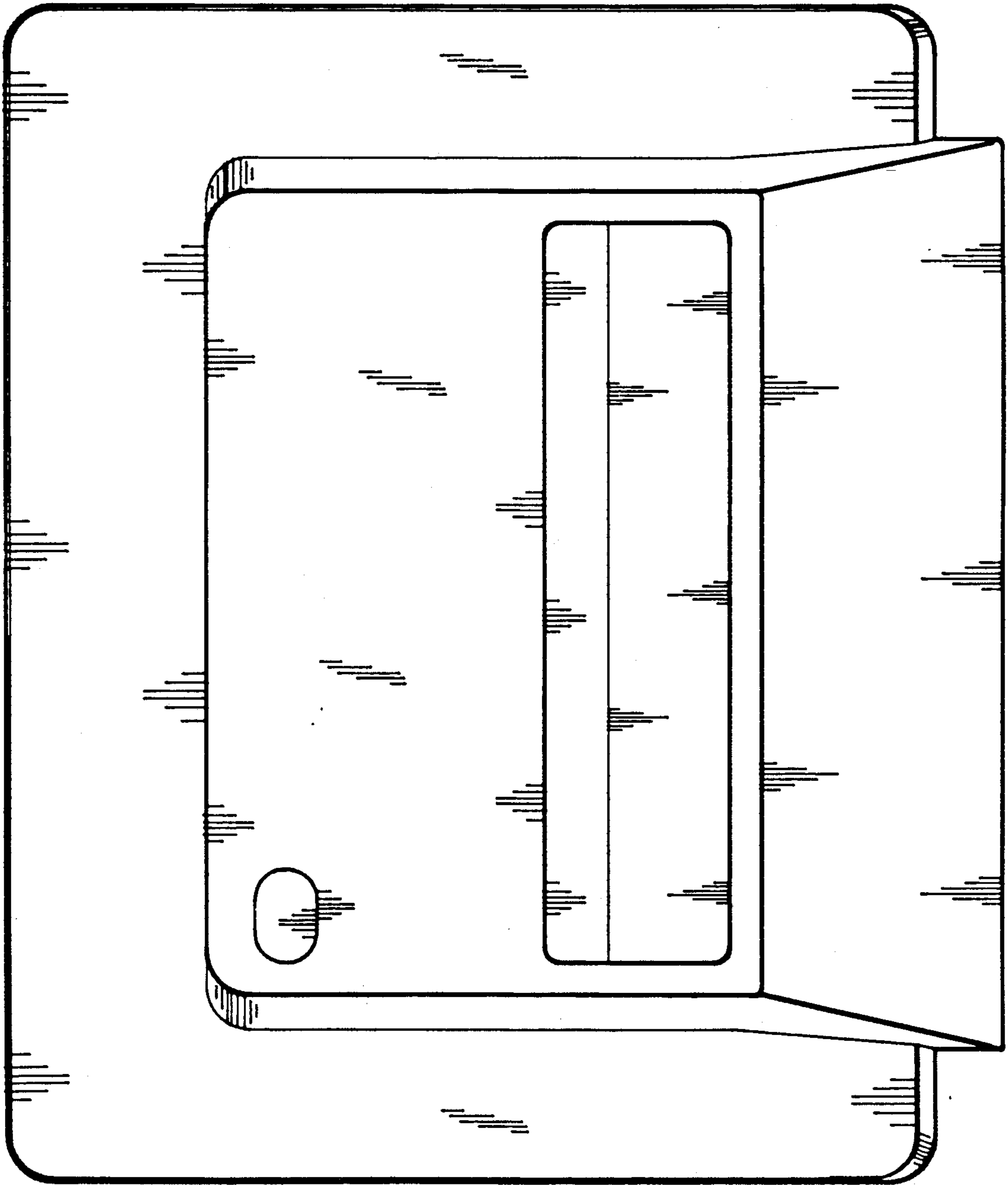


FIG. 7

