

[54] THERMOCOUPLE HOUSING

[75] Inventor: David R. Jacobs, Norwalk, Conn.

[73] Assignee: Omega Engineering, Inc., Stamford, Conn.

[\*\*] Term: 14 Years

[21] Appl. No.: 223,757

[22] Filed: Jul. 25, 1988

[52] U.S. Cl. .... D13/155; D13/156

[58] Field of Search ..... D13/155, 156, 154;  
439/135, 136; D23/263; D10/52

[56] References Cited

U.S. PATENT DOCUMENTS

D. 269,071	5/1983	Waterman	.....	D23/263
1,474,758	11/1923	Bissell	.....	439/135
4,140,358	2/1979	Marechal	.....	439/135

FOREIGN PATENT DOCUMENTS

50447 3/1932 Norway ..... 439/135

OTHER PUBLICATIONS

Lemousa Inc., B Series Connectors Cat., p. 33, Metal Covers for B-Series Receptacles, top left side of page, Electrical Connectors Box 1985-1988.

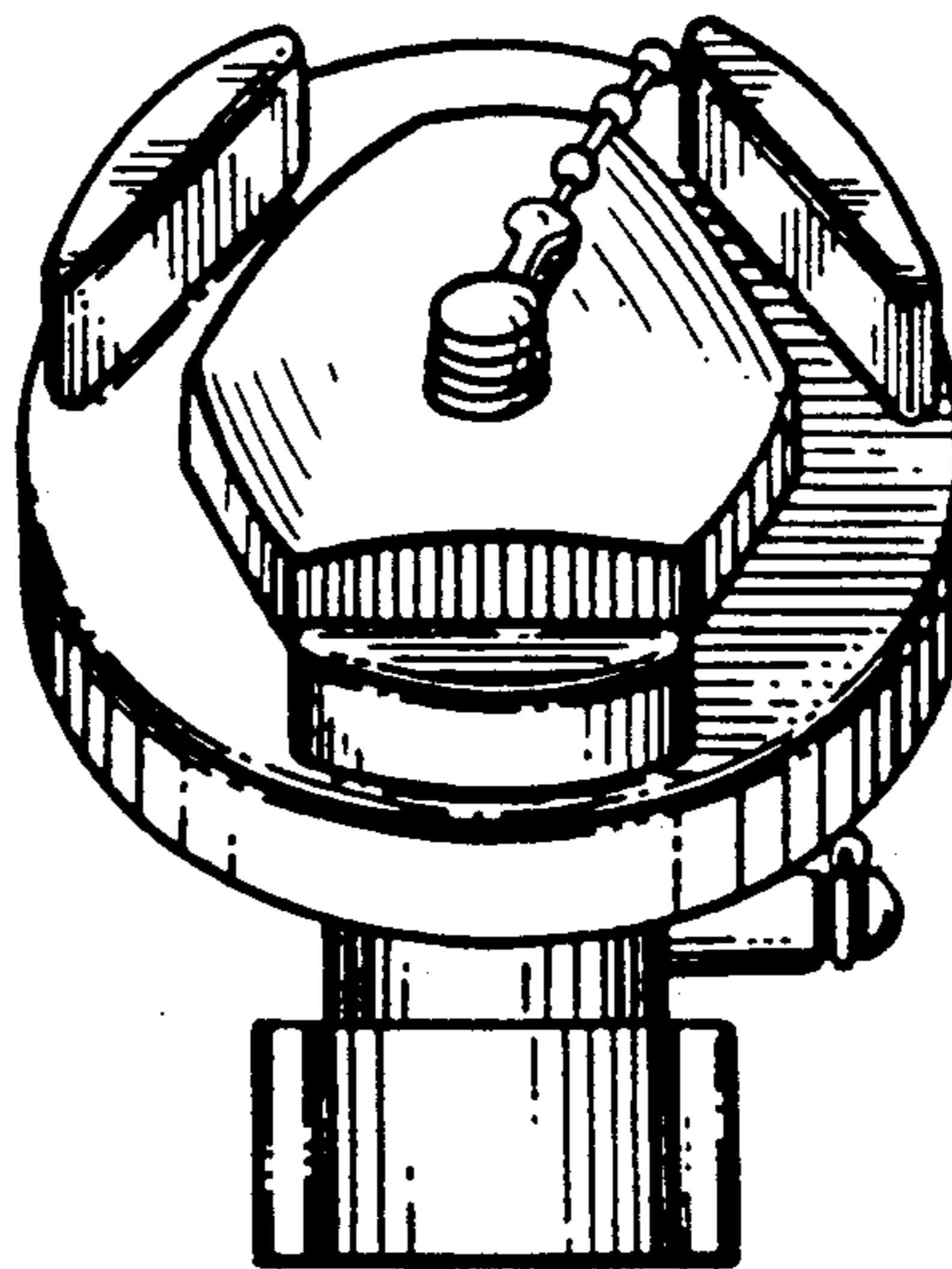
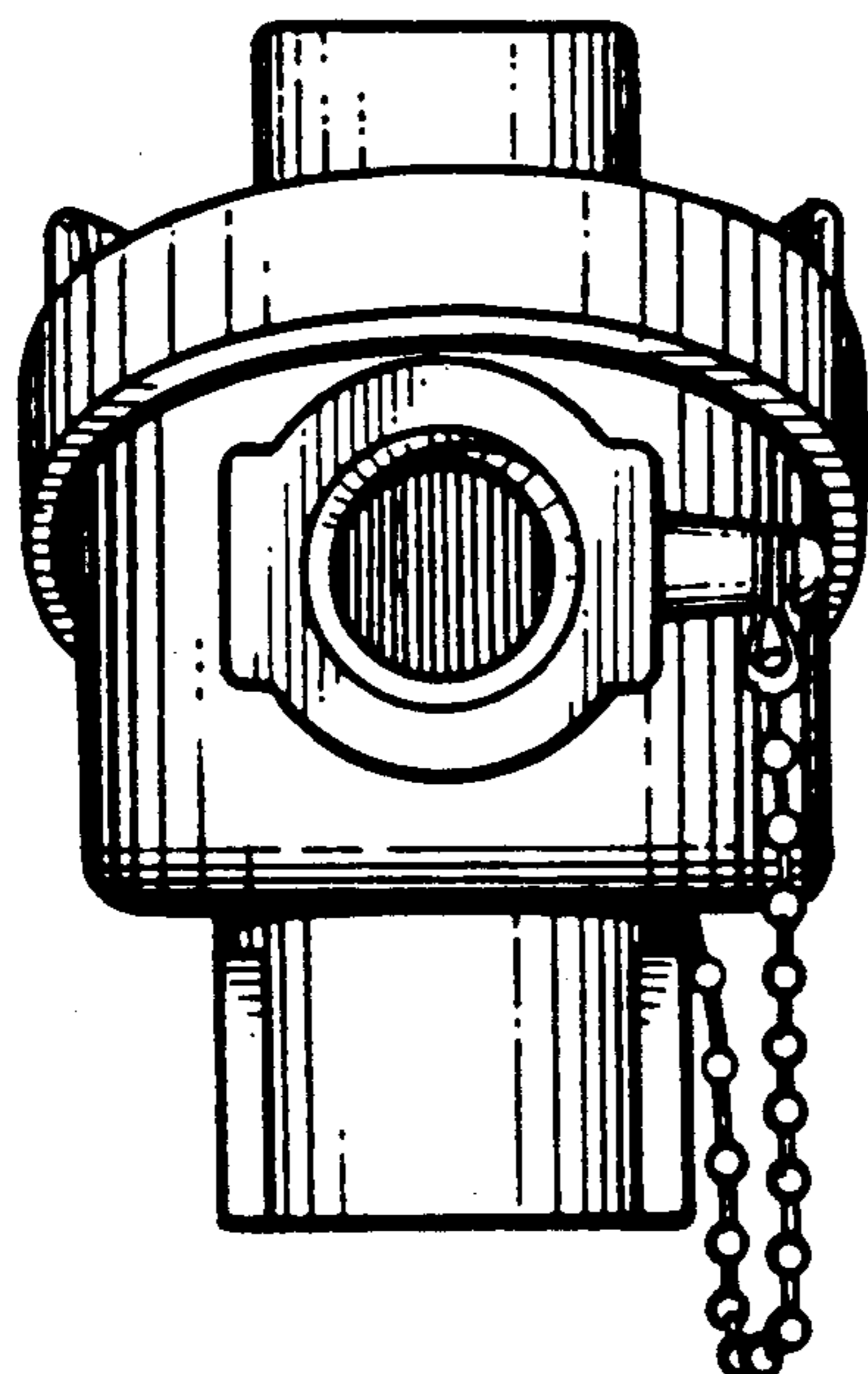
Primary Examiner—James M. Gandy  
Assistant Examiner—Lisa Lichtenstein  
Attorney, Agent, or Firm—Bruce E. Hosmer

[57] CLAIM

The ornamental design for a thermocouple housing, as shown.

DESCRIPTION

FIG. 1 is a front elevational view of a thermocouple housing showing my new design;  
FIG. 2 is a right side elevational view thereof;  
FIG. 3 is a left side elevational view thereof;  
FIG. 4 is a top plan view thereof;  
FIG. 5 is a rear elevational view thereof;  
FIG. 6 is a bottom plan view thereof.



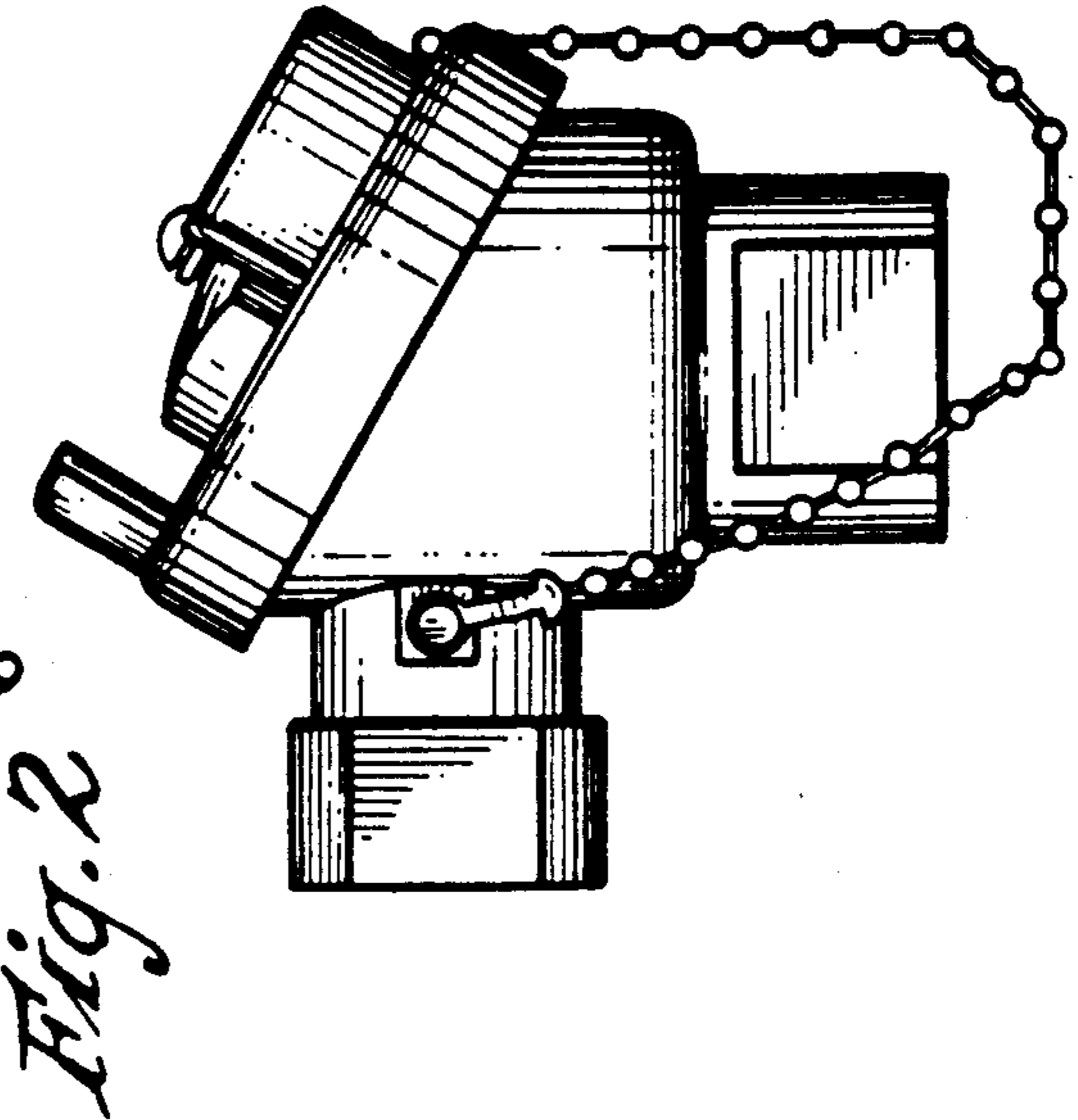
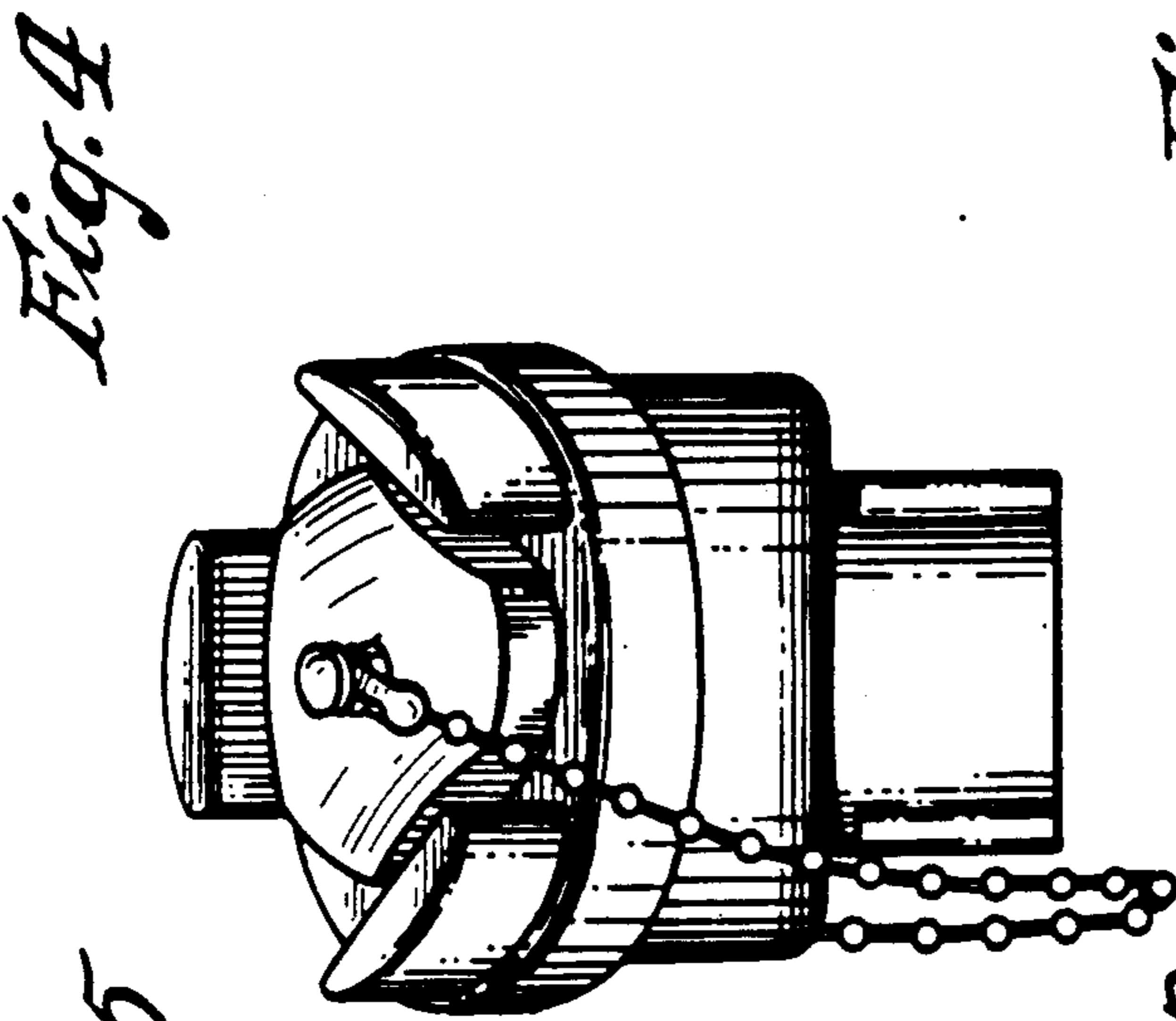
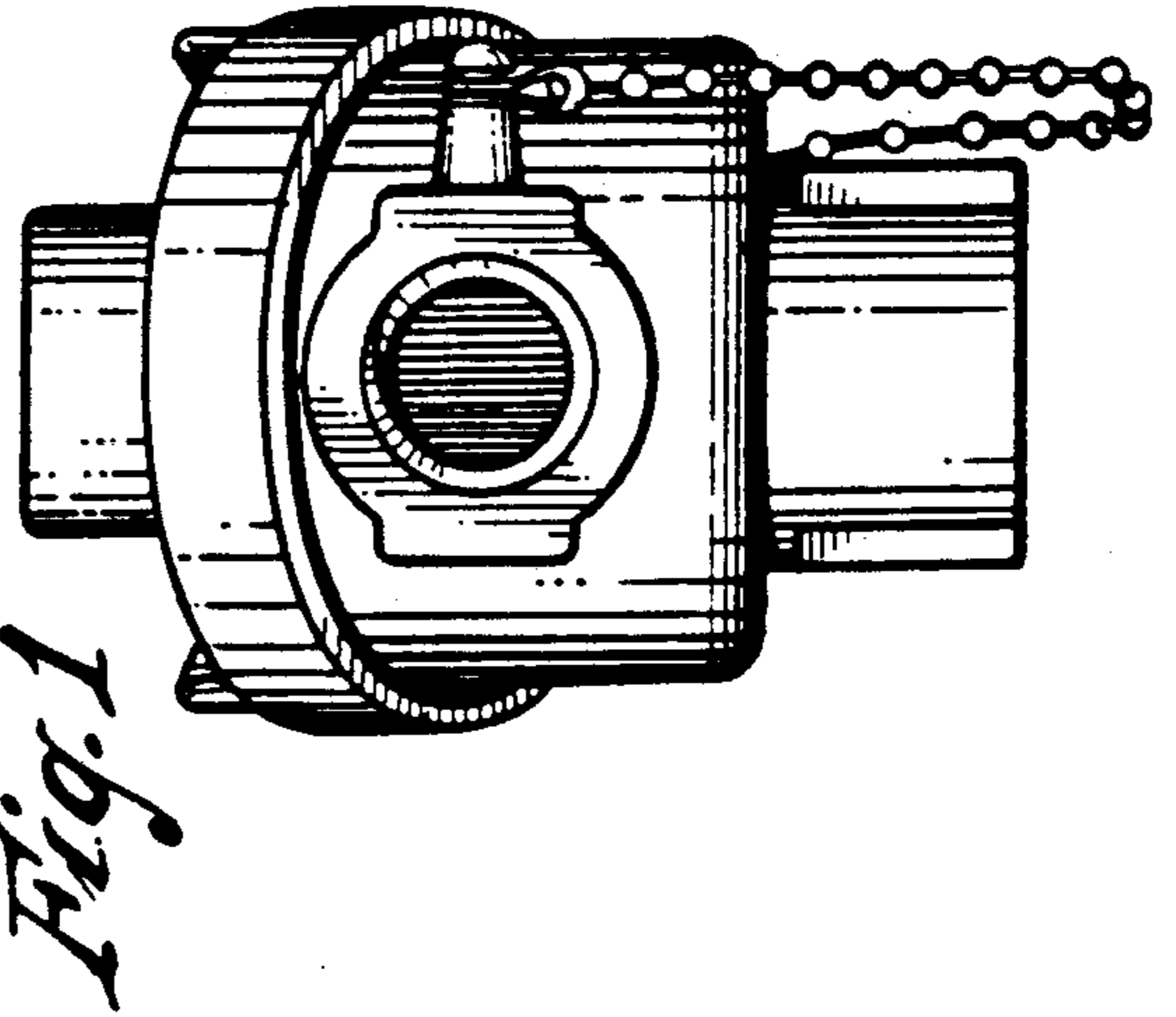
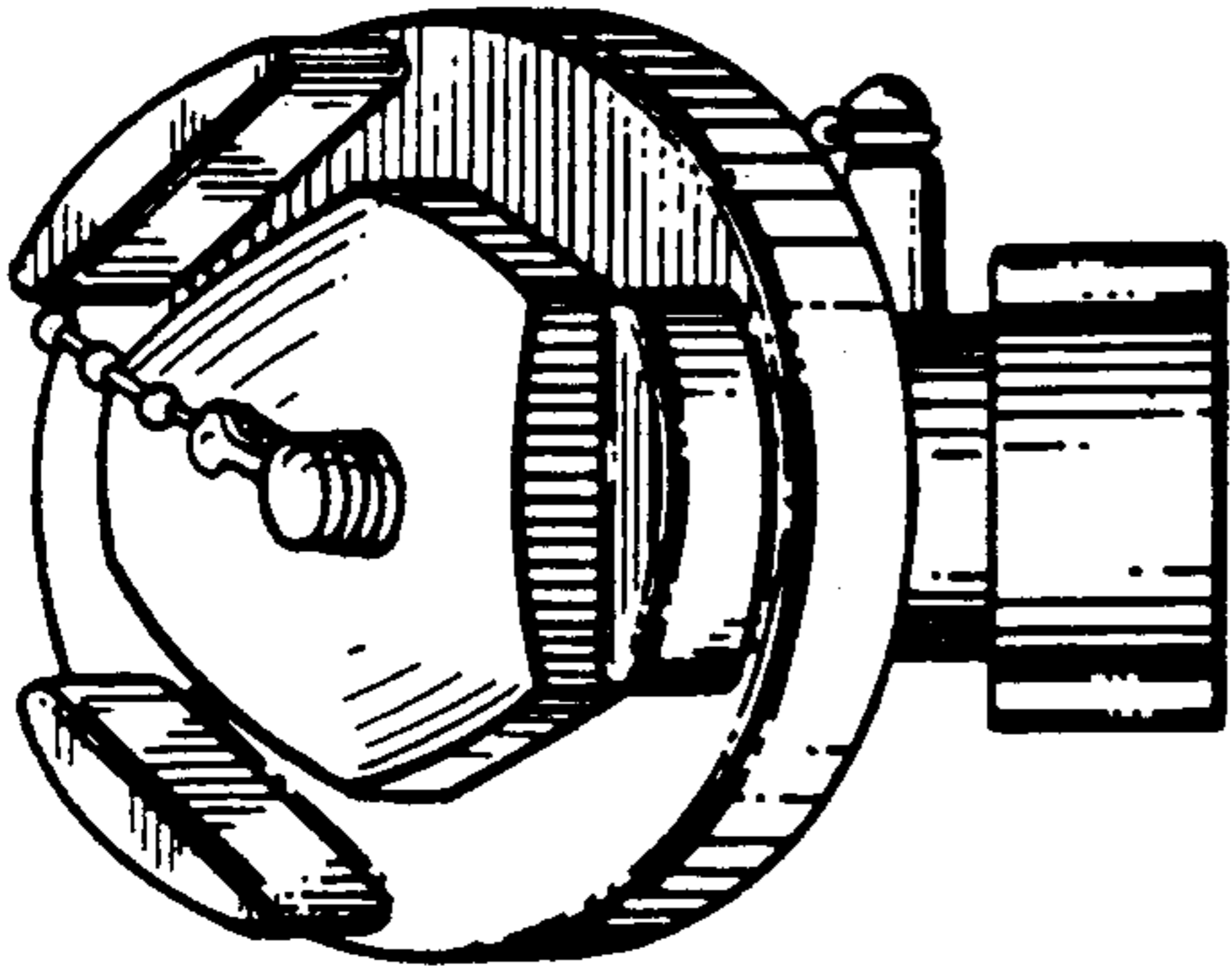
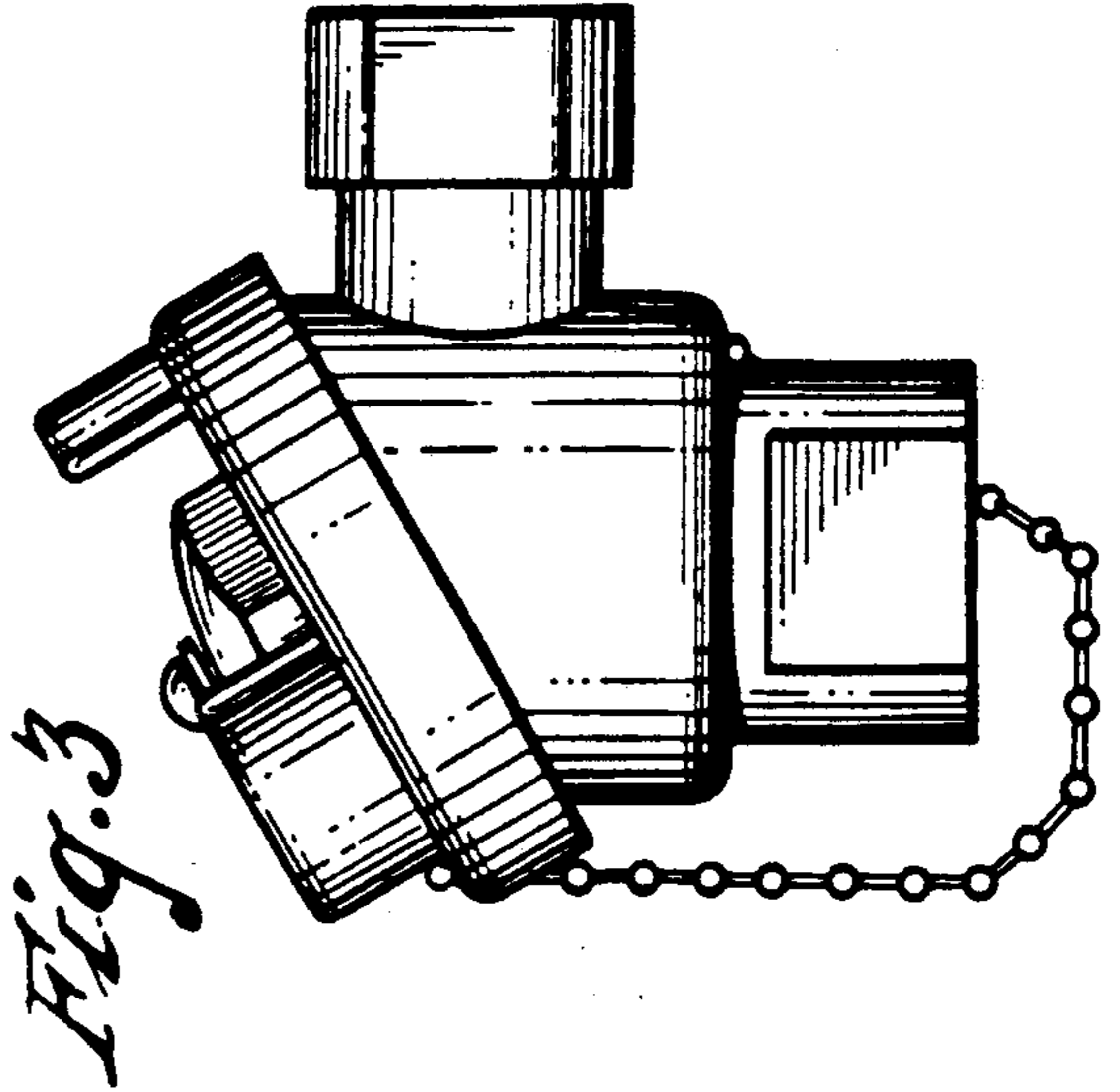
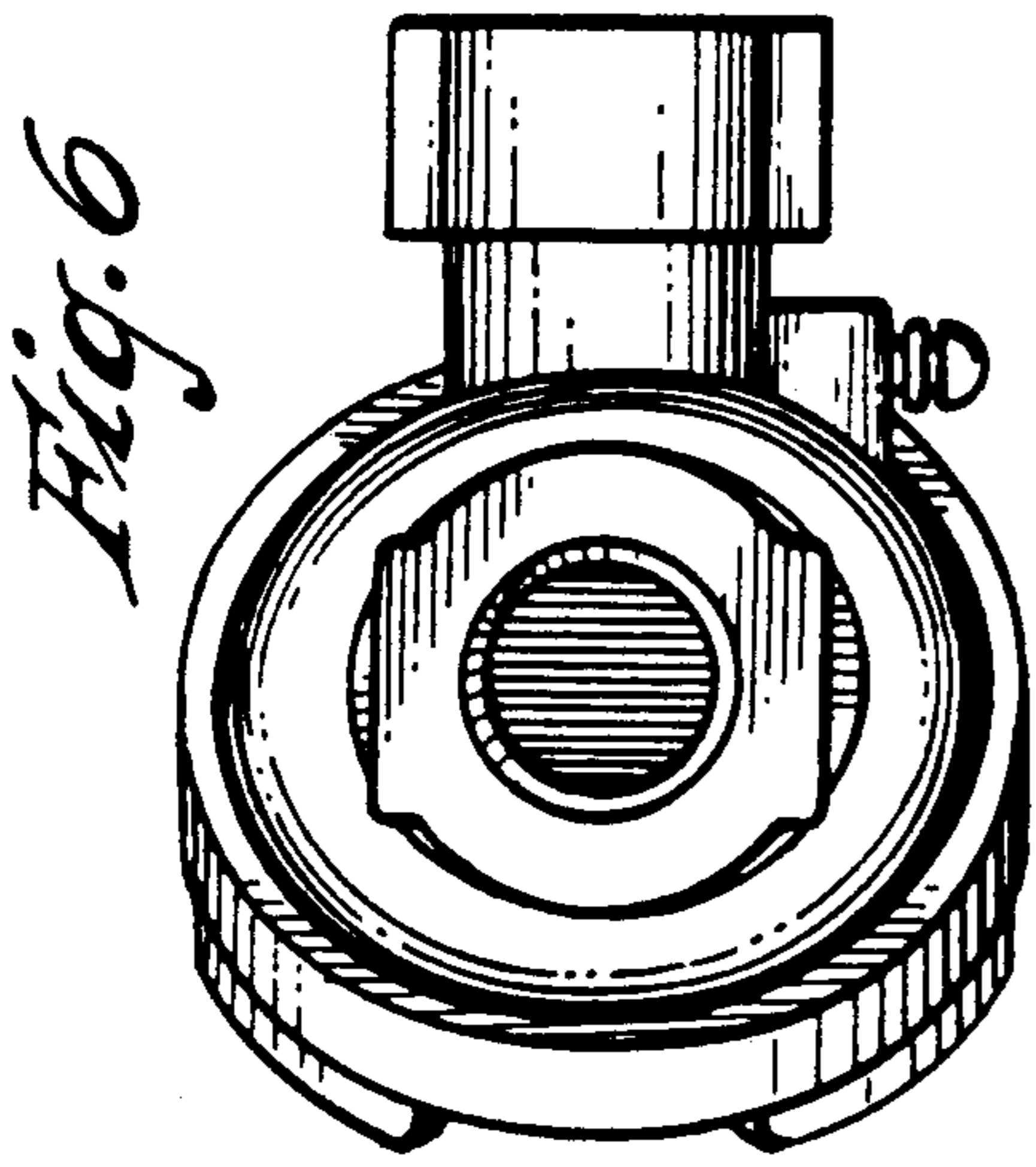


Fig. 5

Fig. 2