

[54] ELECTRICAL CONNECTOR HOUSING

[75] Inventors: Yasuhiro Nagasaka, Toyota; Yuji Hatagishi, Shizuoka, both of Japan

[73] Assignee: Yazaki Corporation, Tokyo, Japan

[**] Term: 14 Years

[21] Appl. No.: 374,858

[22] Filed: Jul. 3, 1989

[30] Foreign Application Priority Data

Jan. 6, 1989 [JP] Japan 64-49

[52] U.S. Cl. D13/147

[58] Field of Search D13/146, 147; 439/76, 439/625, 638, 639, 650-656, 660, 668, 682, 686, 690, 691, 692, 701, 724

[56] References Cited

U.S. PATENT DOCUMENTS

3,209,302	9/1965	Uberbacher	439/364
3,581,268	5/1971	Akst	439/507
4,626,055	12/1986	Baker et al.	439/350 X
4,708,660	11/1987	Claeys et al.	439/248 X
4,952,166	8/1990	Nagasaka et al.	439/364

FOREIGN PATENT DOCUMENTS

2186748 8/1987 United Kingdom 439/752

Primary Examiner—Susan J. Lucas
Assistant Examiner—J. Sincavage
Attorney, Agent, or Firm—Armstrong, Nikaido, Marmelstein, Kubovcik & Murray

[57] CLAIM

The ornamental design for an electrical connector housing, as shown and described.

DESCRIPTION

FIG. 1 is a top plan view of an electrical connector housing showing our new design; FIG. 2 is a front elevational view thereof; FIG. 3 is a bottom plan view thereof; FIG. 4 is a rear elevational view thereof; FIG. 5 is a right side elevational view thereof; FIG. 6 is a left side elevational view thereof; FIG. 7 is a central cross sectional view of FIG. 2. The view looking left is the same as the view looking right. FIG. 8 is a perspective view thereof showing our new design on a reduced scale in a manner of use. The broken line showing is included for the purpose of illustrating environmental elements only and forms no part of the claimed design.

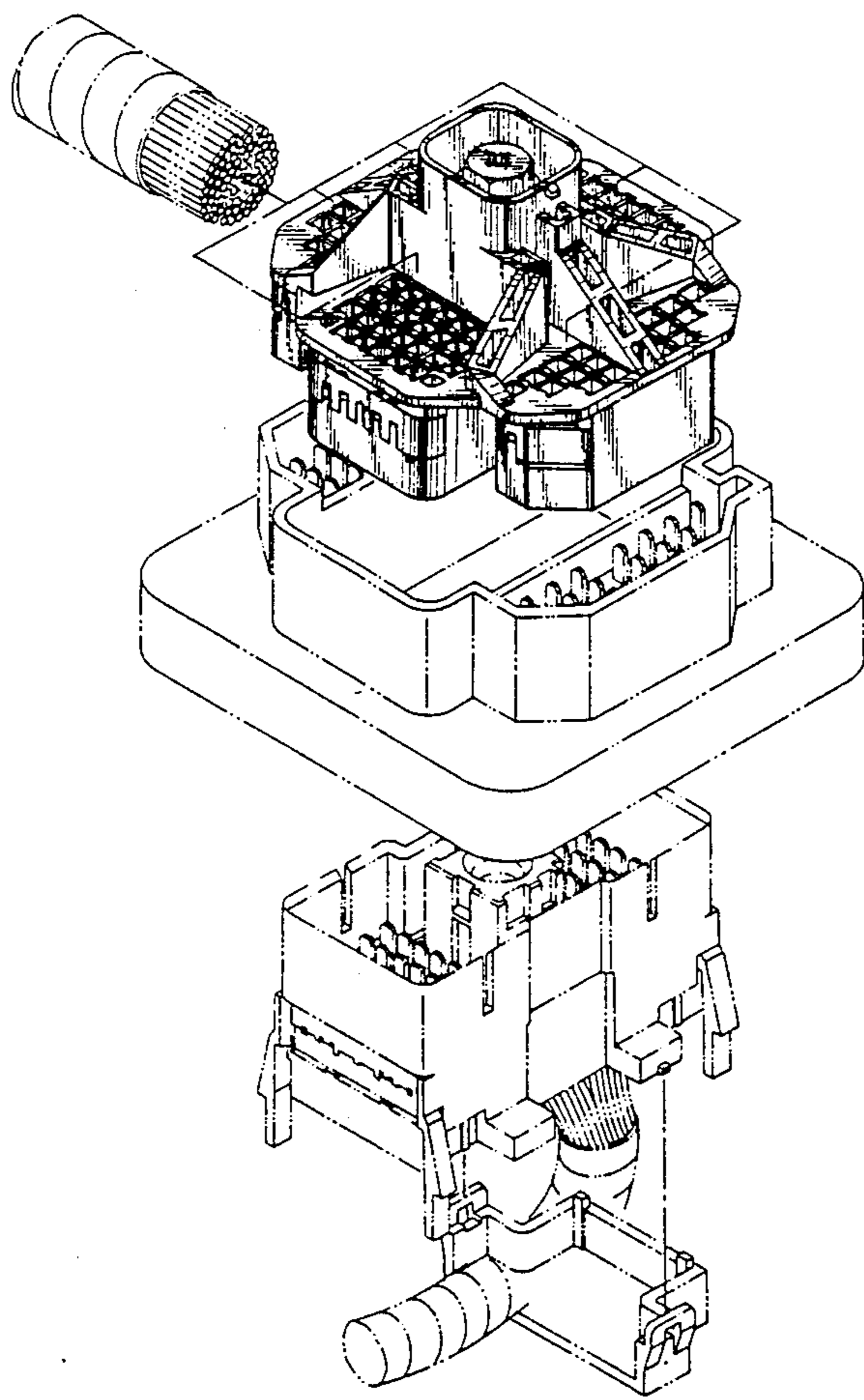


FIG. 1

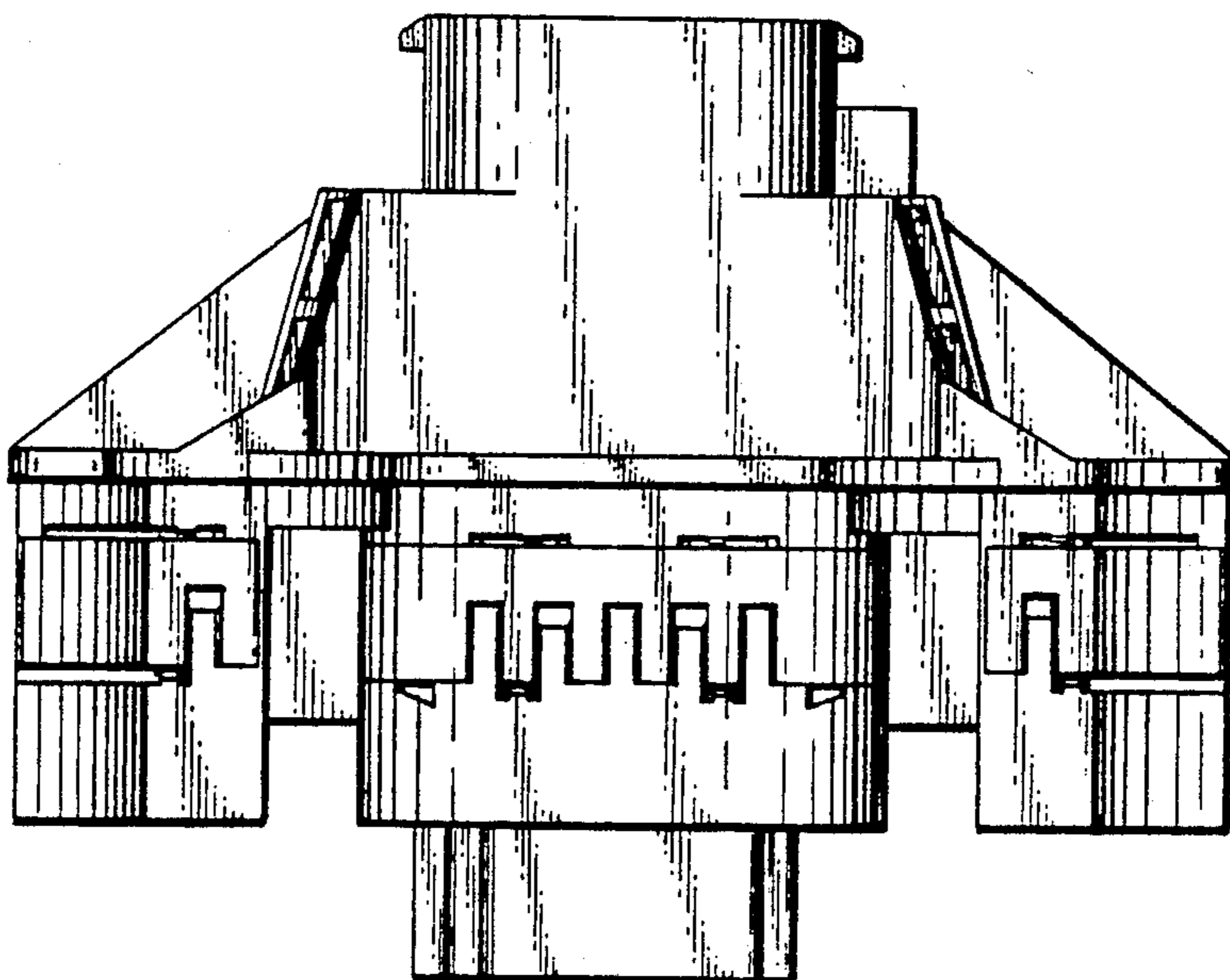


FIG. 2

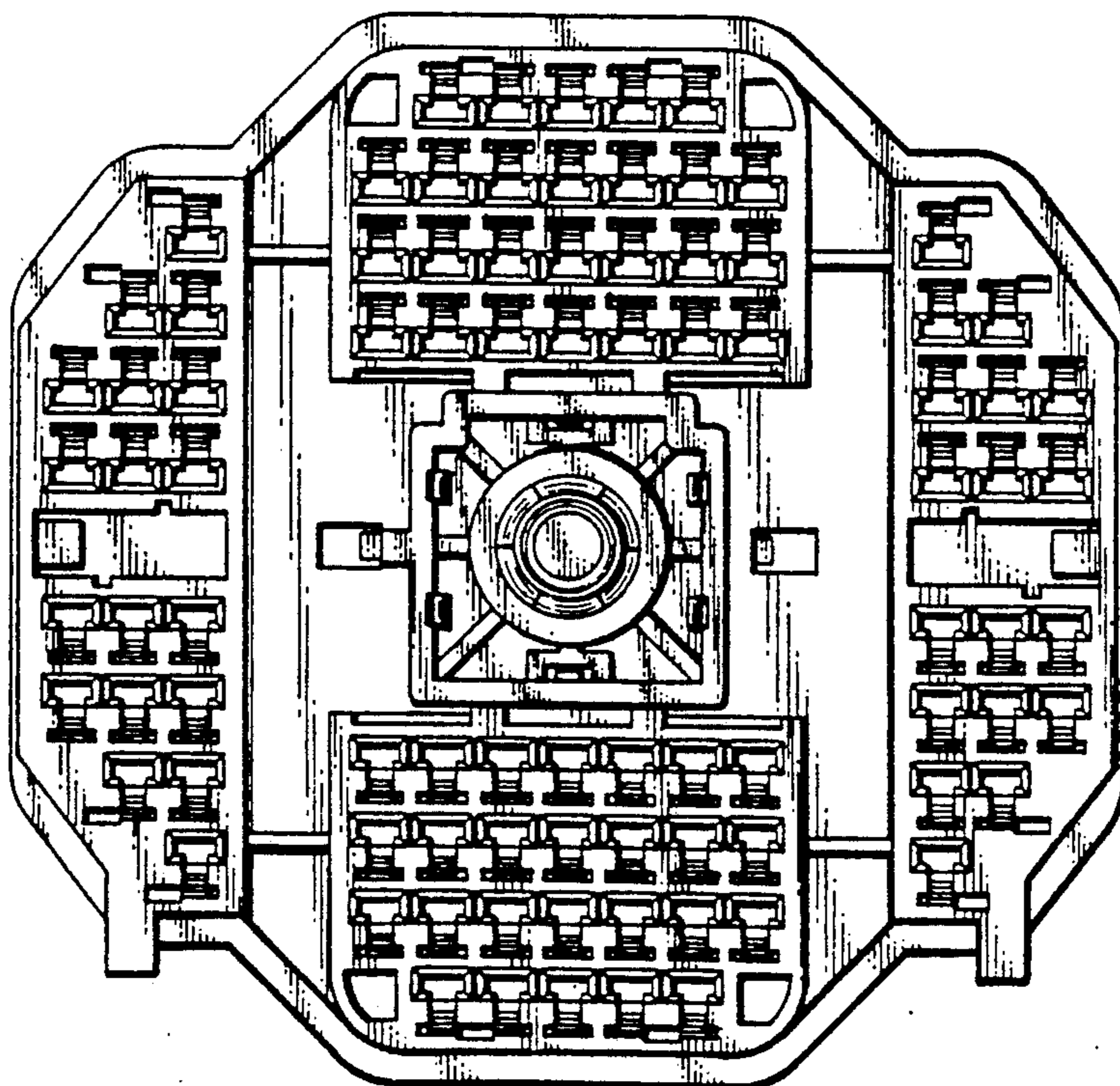


FIG. 3

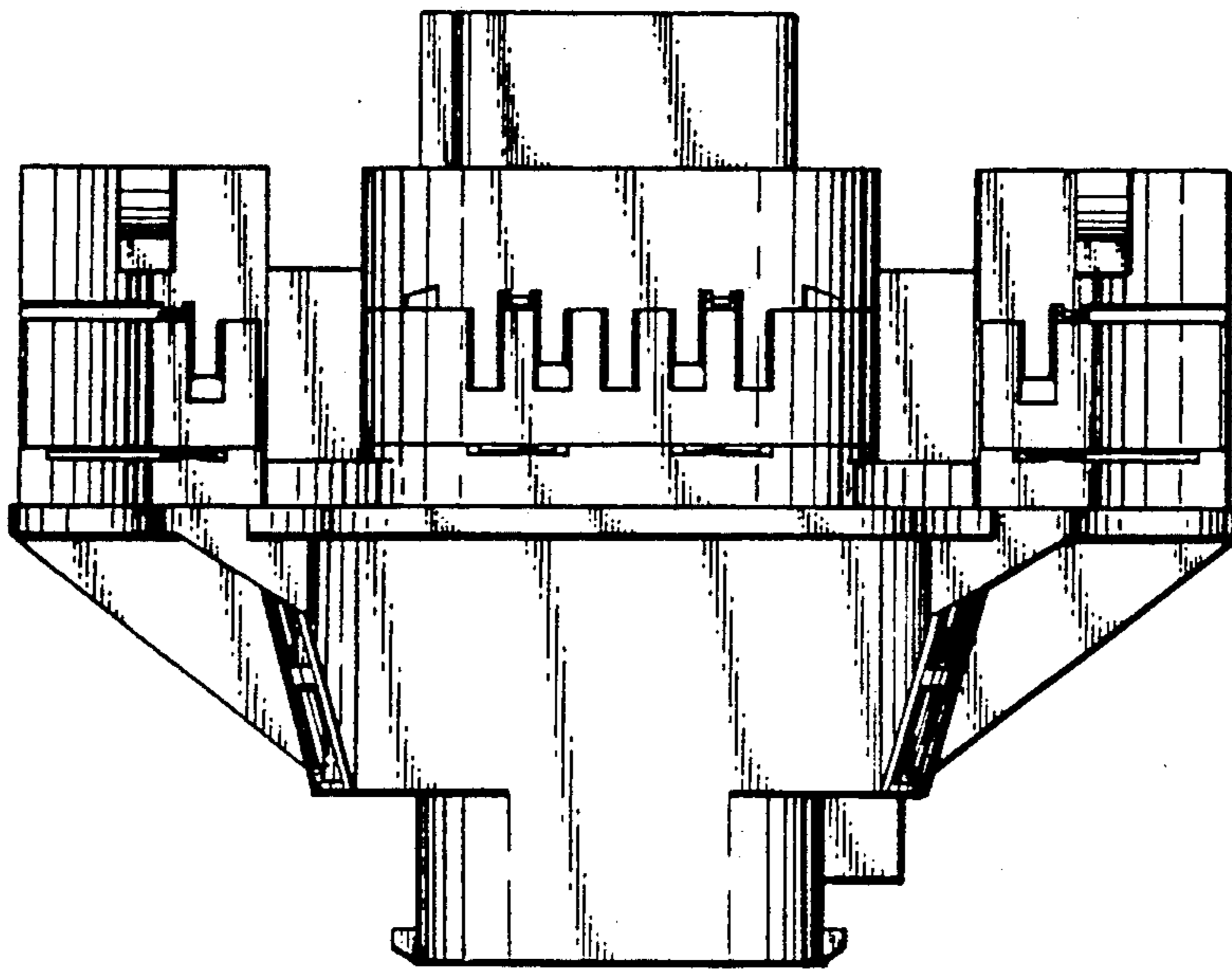


FIG. 4

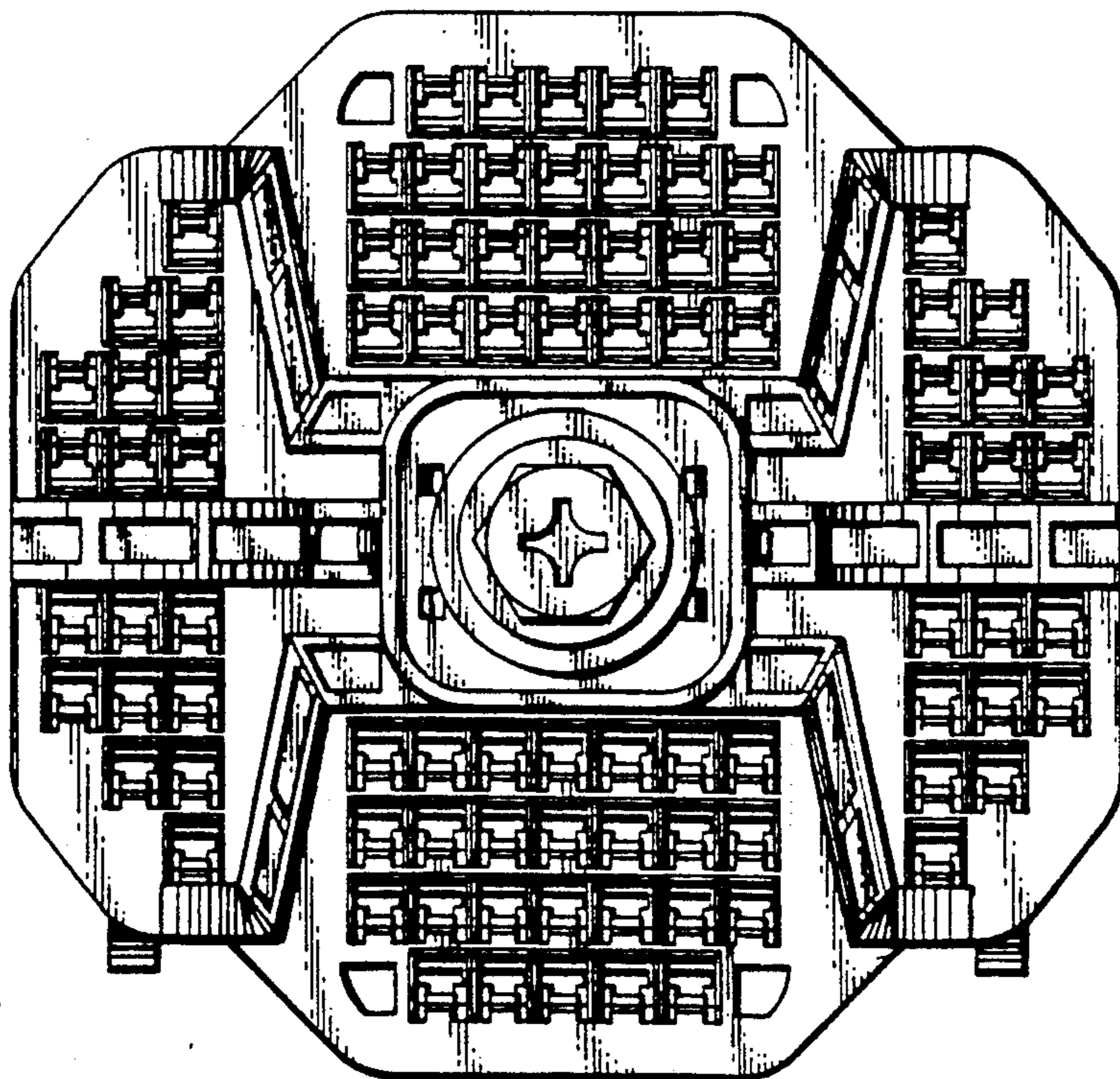


FIG. 6

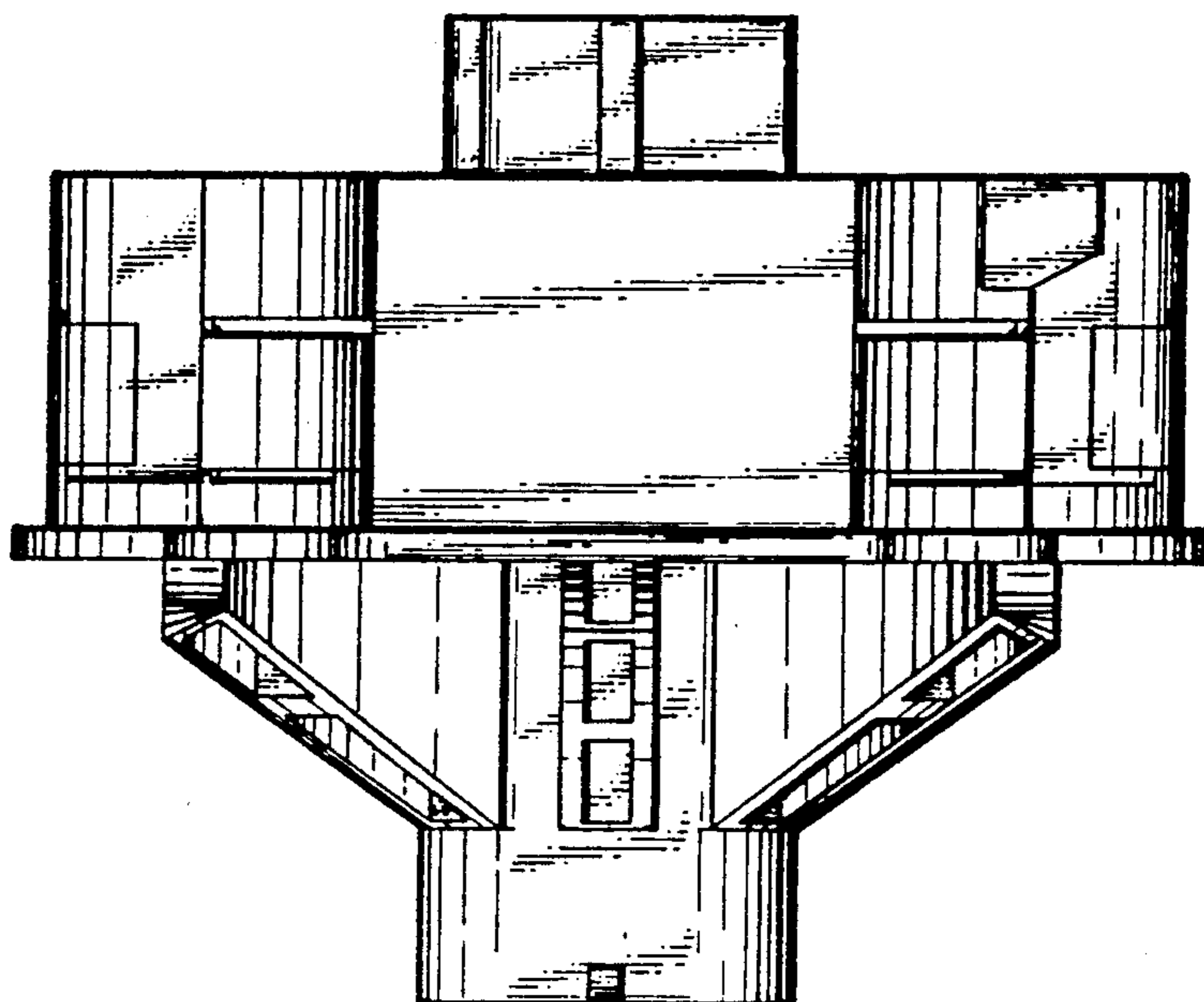


FIG. 5

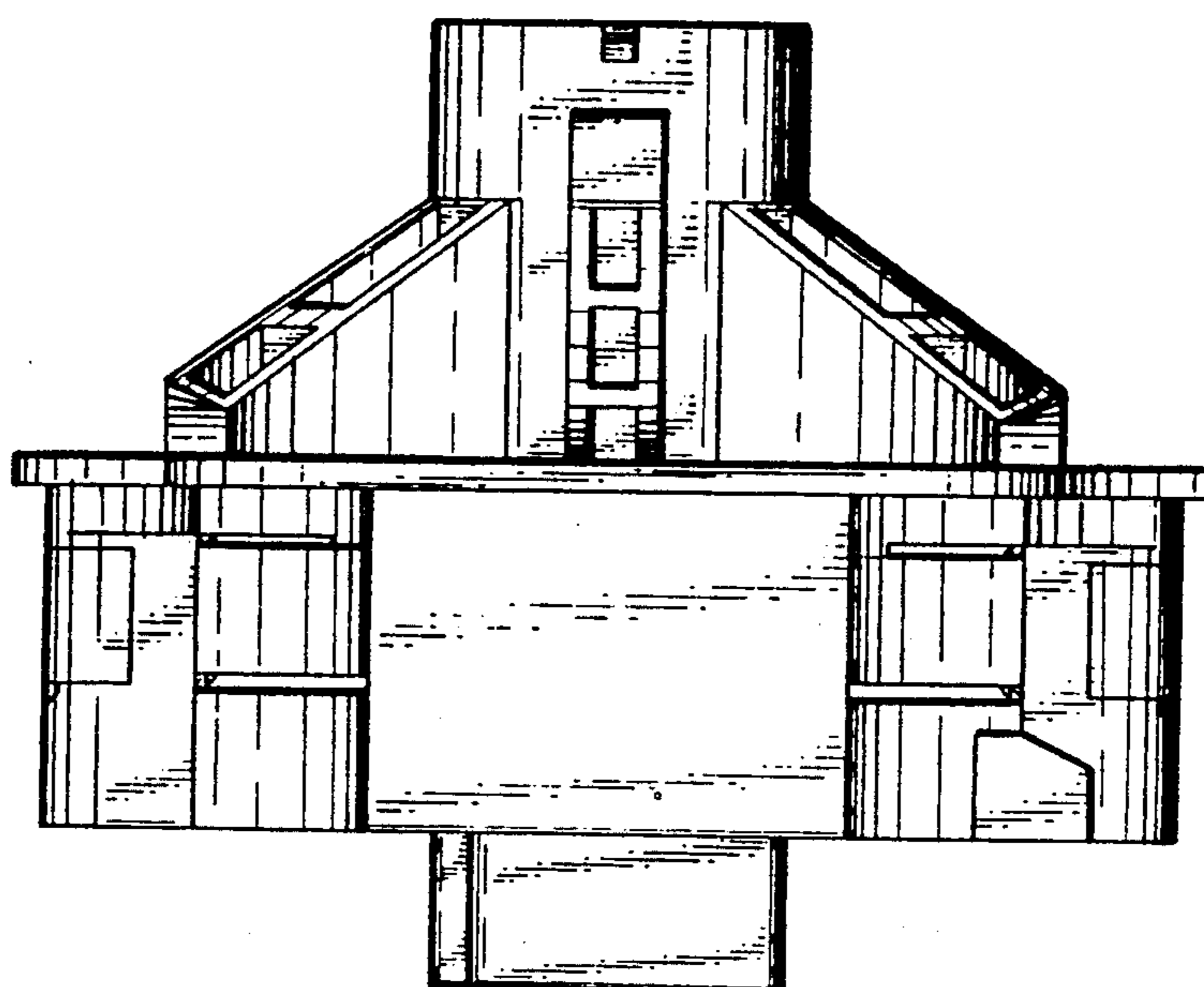


FIG. 7

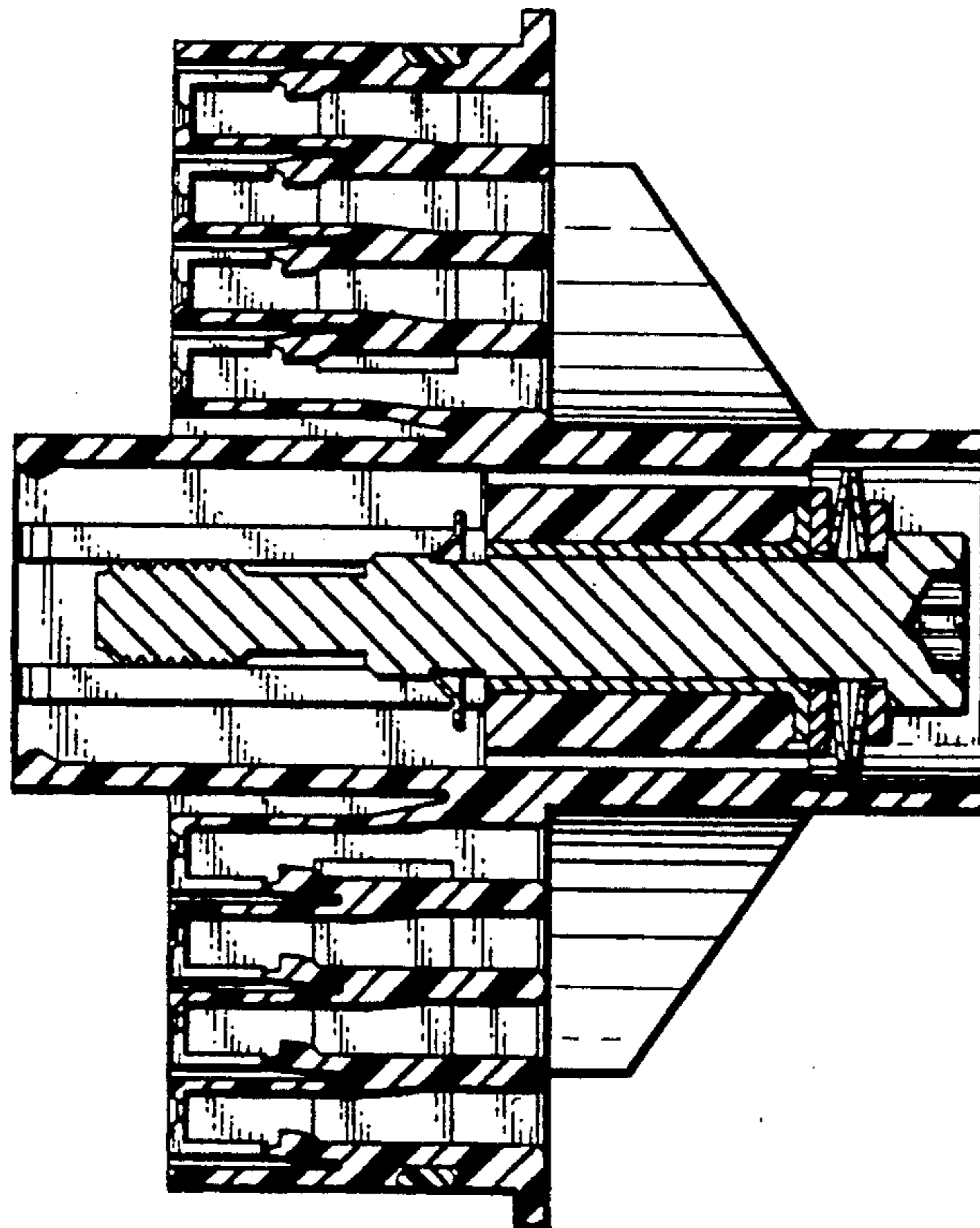


FIG. 8

