

[54] TRANSFORMER CONNECTOR

[75] Inventor: Eugene W. McGrane, Ormond Beach, Fla.

[73] Assignee: Homac Mfg. Company, Ormond Beach, Fla.

[\*\*] Term: 14 Years

[21] Appl. No.: 369,541

[22] Filed: Jun. 19, 1989

[52] U.S. Cl. .... D13/147

[58] Field of Search ..... D13/147, 149; 439/709, 439/771, 801, 810, 814, 877, 881; 174/68.2

[56] References Cited

U.S. PATENT DOCUMENTS

D. 195,623	7/1963	Leonardo	.....	D13/148 X
D. 302,420	7/1989	McGrane	.....	D13/146
D. 306,716	3/1990	Shimirak	.....	D13/147
D. 309,664	7/1990	McGrane	.....	D13/146
2,308,260	1/1943	Linton	.....	361/338
4,785,378	11/1988	Hinckley et al.	.....	174/70 R

FOREIGN PATENT DOCUMENTS

1229880 3/1960 France .

OTHER PUBLICATIONS

Solderless Lugs on pp. 3, 4 and 5, ILSCO Pocket Guide Revised edition 1985.

Solderless lugs on pp. 7 and 8 of Connector Manufacturing Co.  
Power distribution block on p. 50 of Electrical Systems Design 9-88.

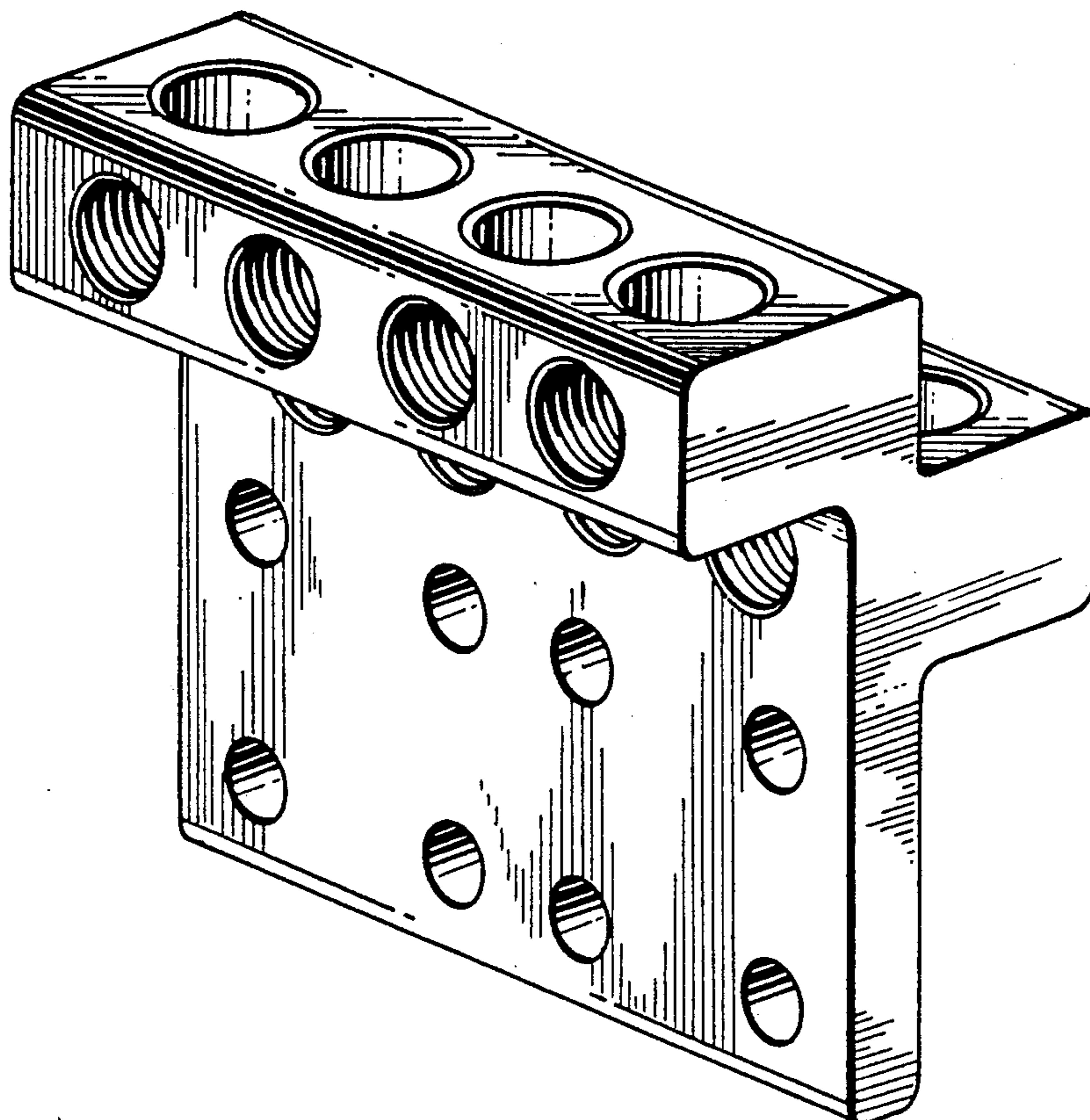
Primary Examiner—Susan J. Lucas  
Assistant Examiner—J. Sincavage  
Attorney, Agent, or Firm—John E. Benoit

[57] CLAIM

The ornamental design for a transformer connectors, as shown and described.

DESCRIPTION

FIG. 1 is a perspective view of the transformer connector showing my new design;  
FIG. 2 is a front elevational view thereof;  
FIG. 3 is an rear elevational view thereof;  
FIG. 4 is a top plan view thereof;  
FIG. 5 is a bottom plan view thereof;  
FIG. 6 is an end elevational view thereof, the opposite end elevational view thereof being a mirror image.  
FIG. 7 is a sectional view taken through lines 7—7 of FIG. 2;  
FIG. 8 is an end elevational view of a transformer connector showing a second embodiment of my new design;  
FIG. 9 is a rear elevational view thereof;  
FIG. 10 is a top plan view thereof;  
FIG. 11 is a bottom plan view thereof;  
The end elevational views thereof are the same as those of the first embodiment.



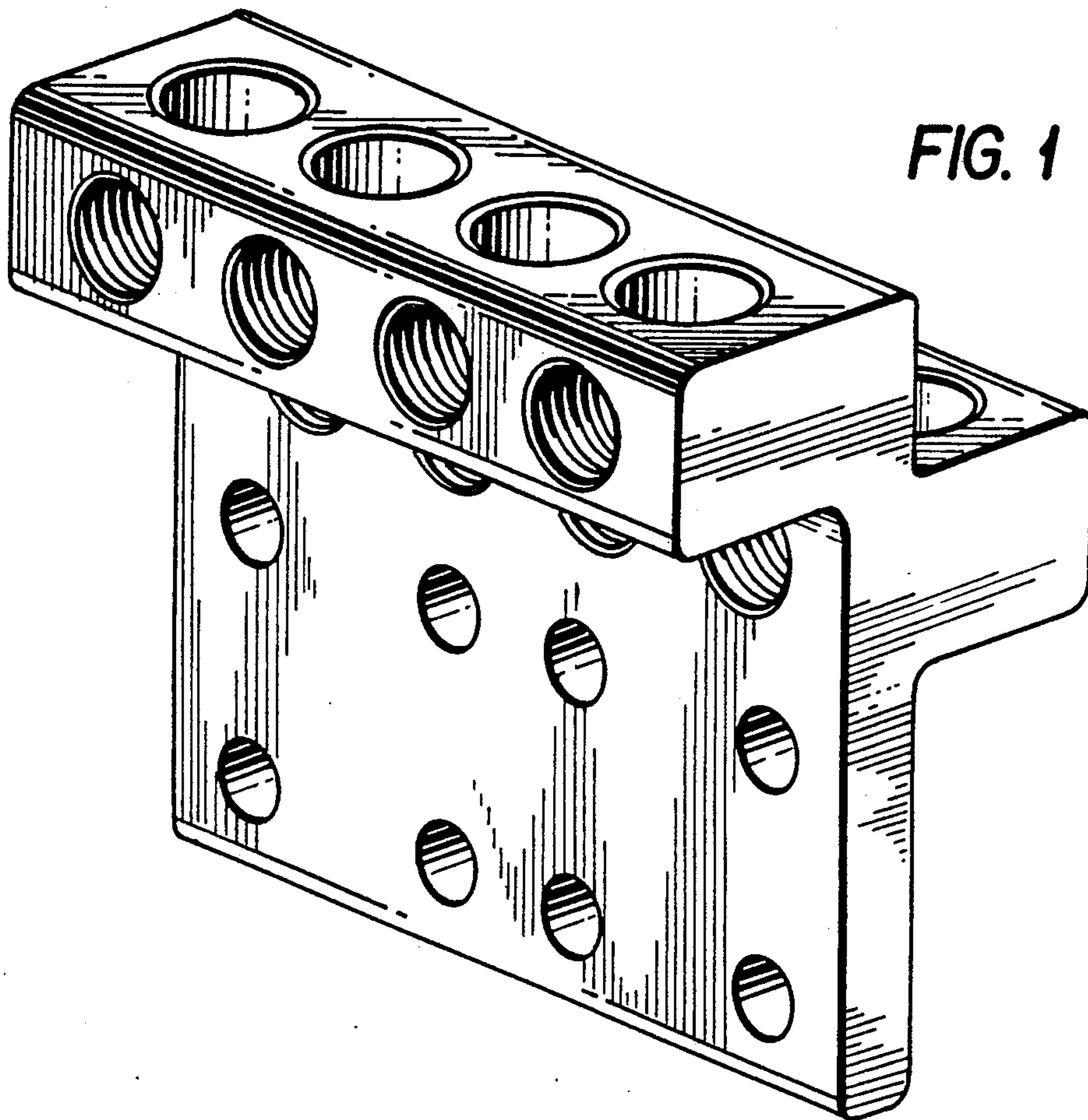


FIG. 1

FIG. 10

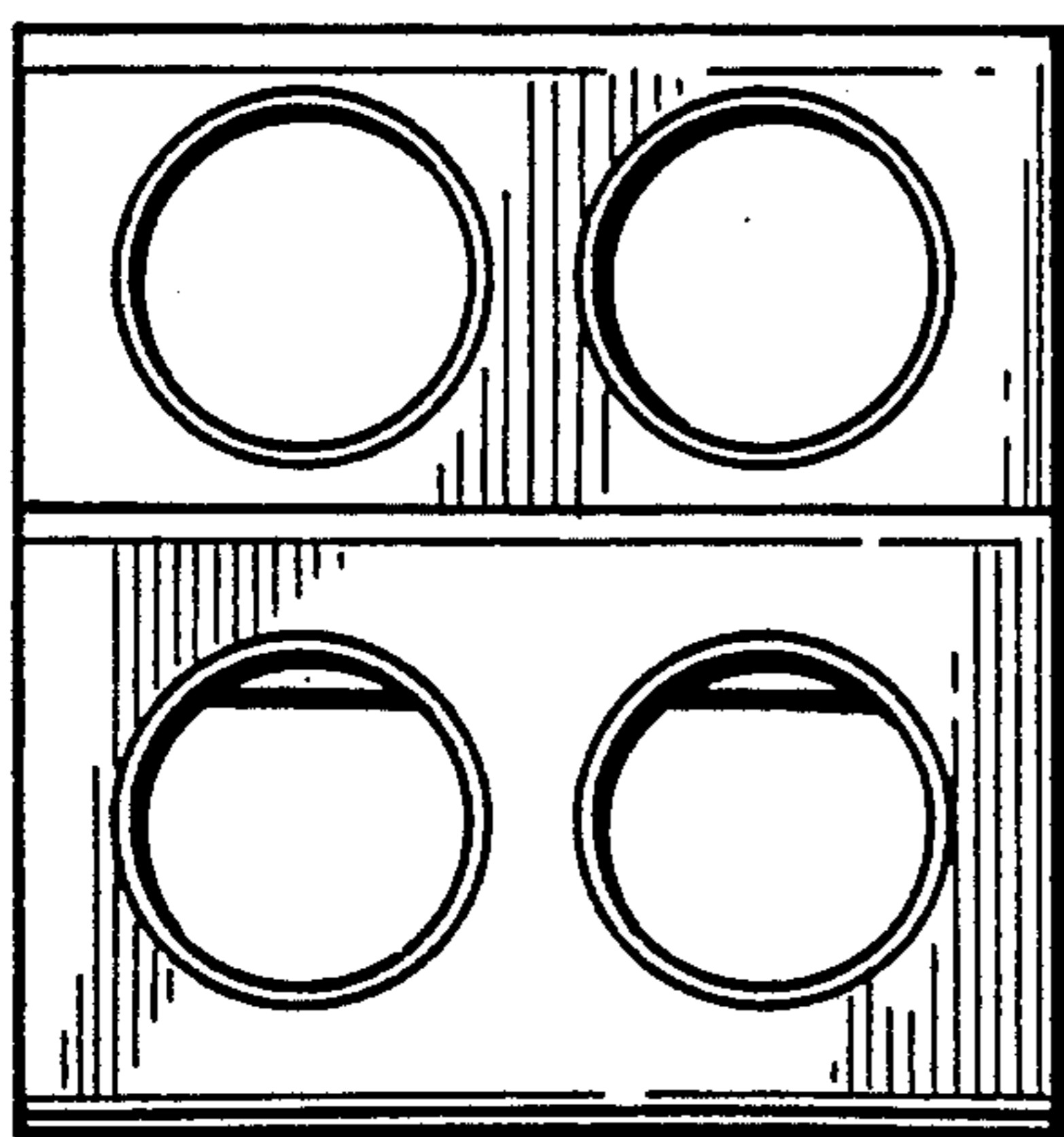
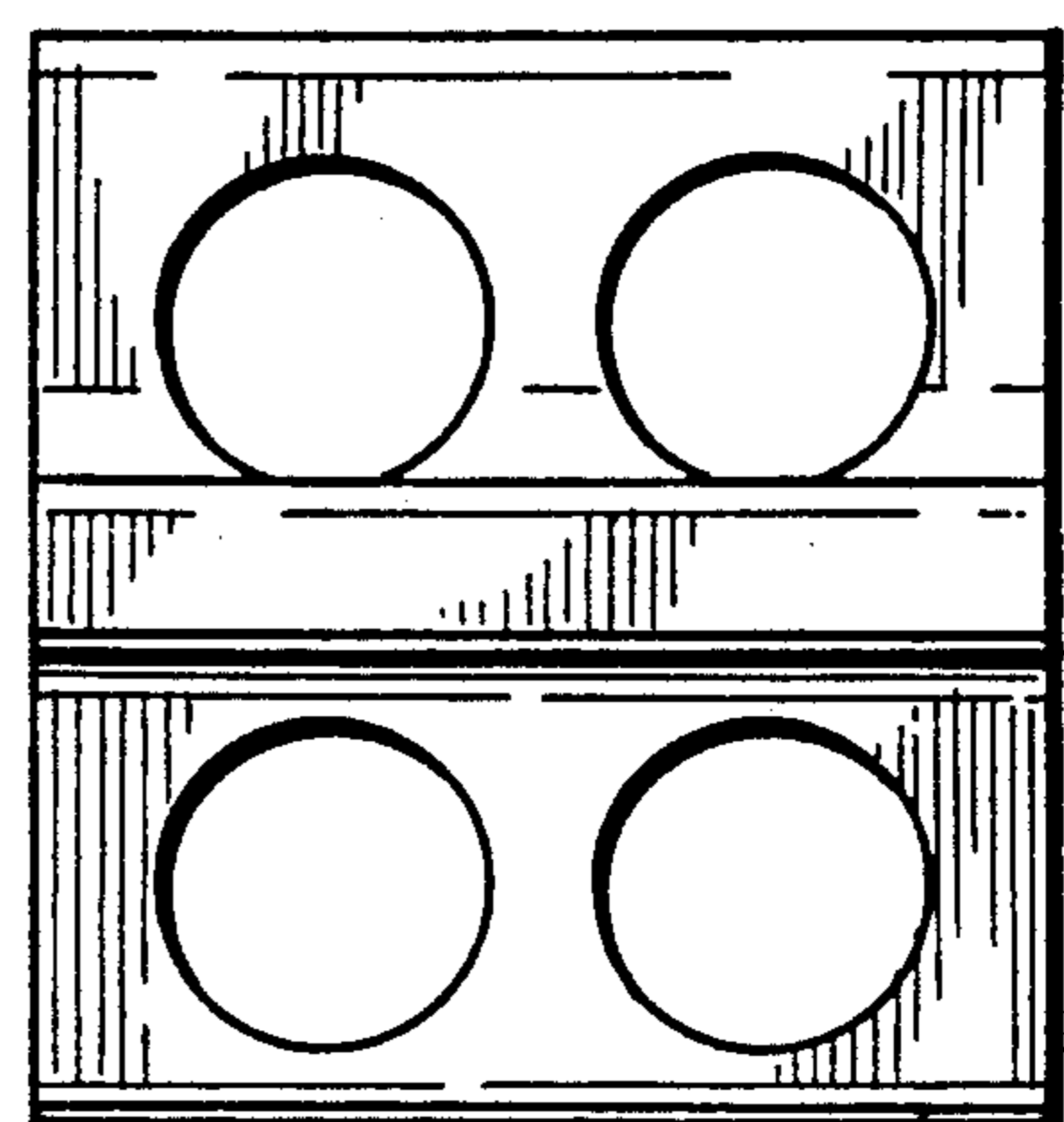


FIG. 11



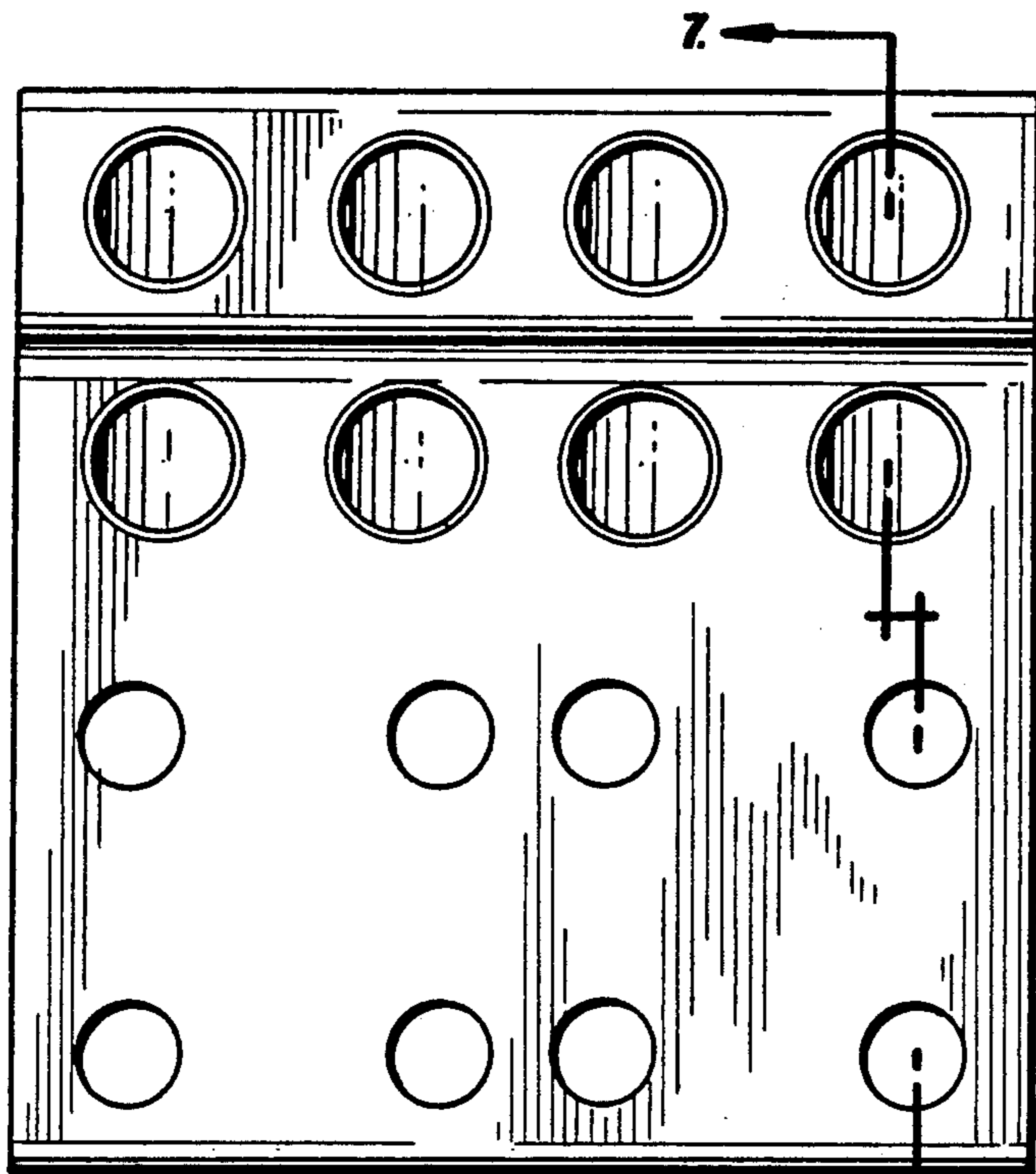


FIG. 2

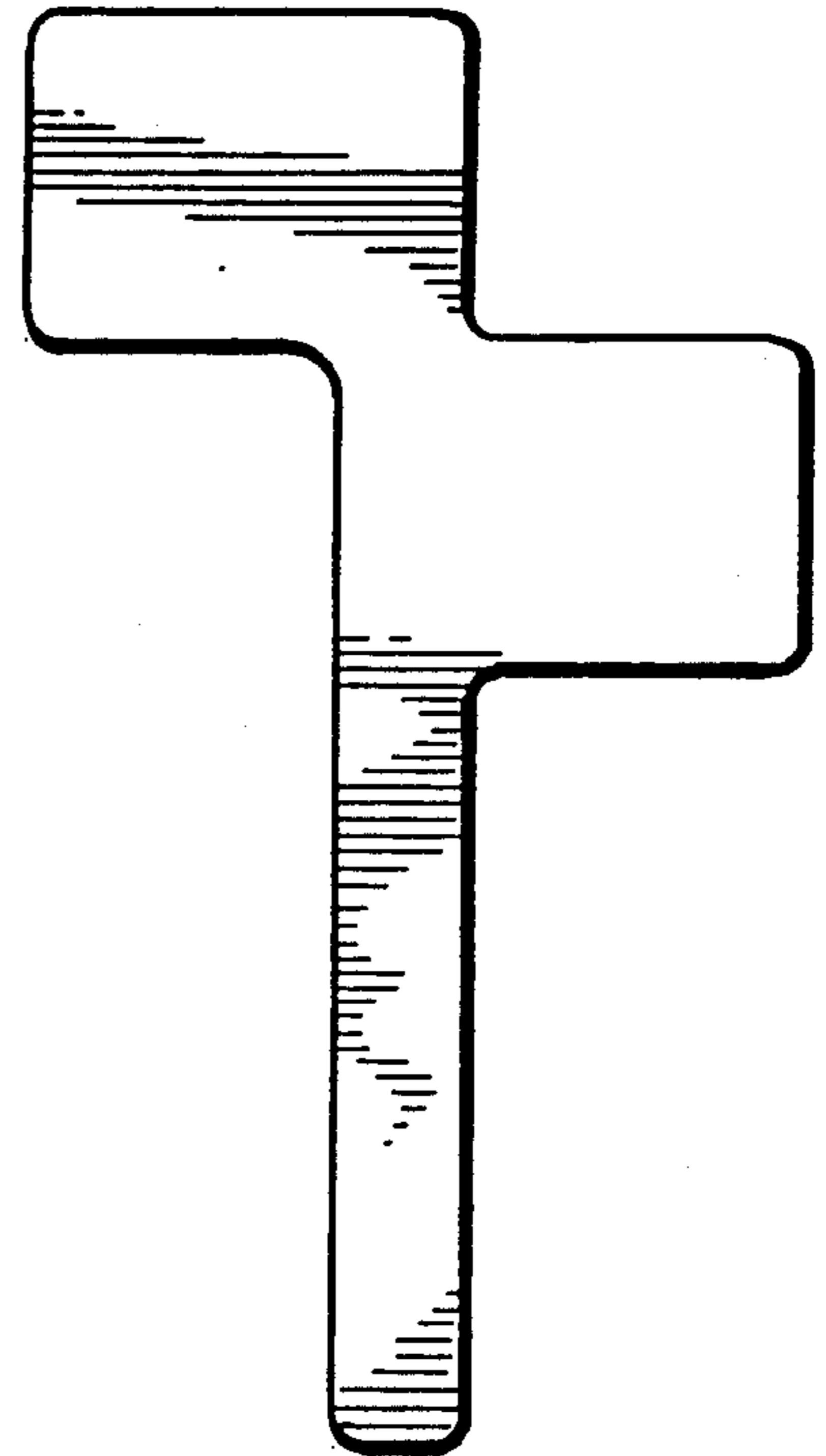


FIG. 6

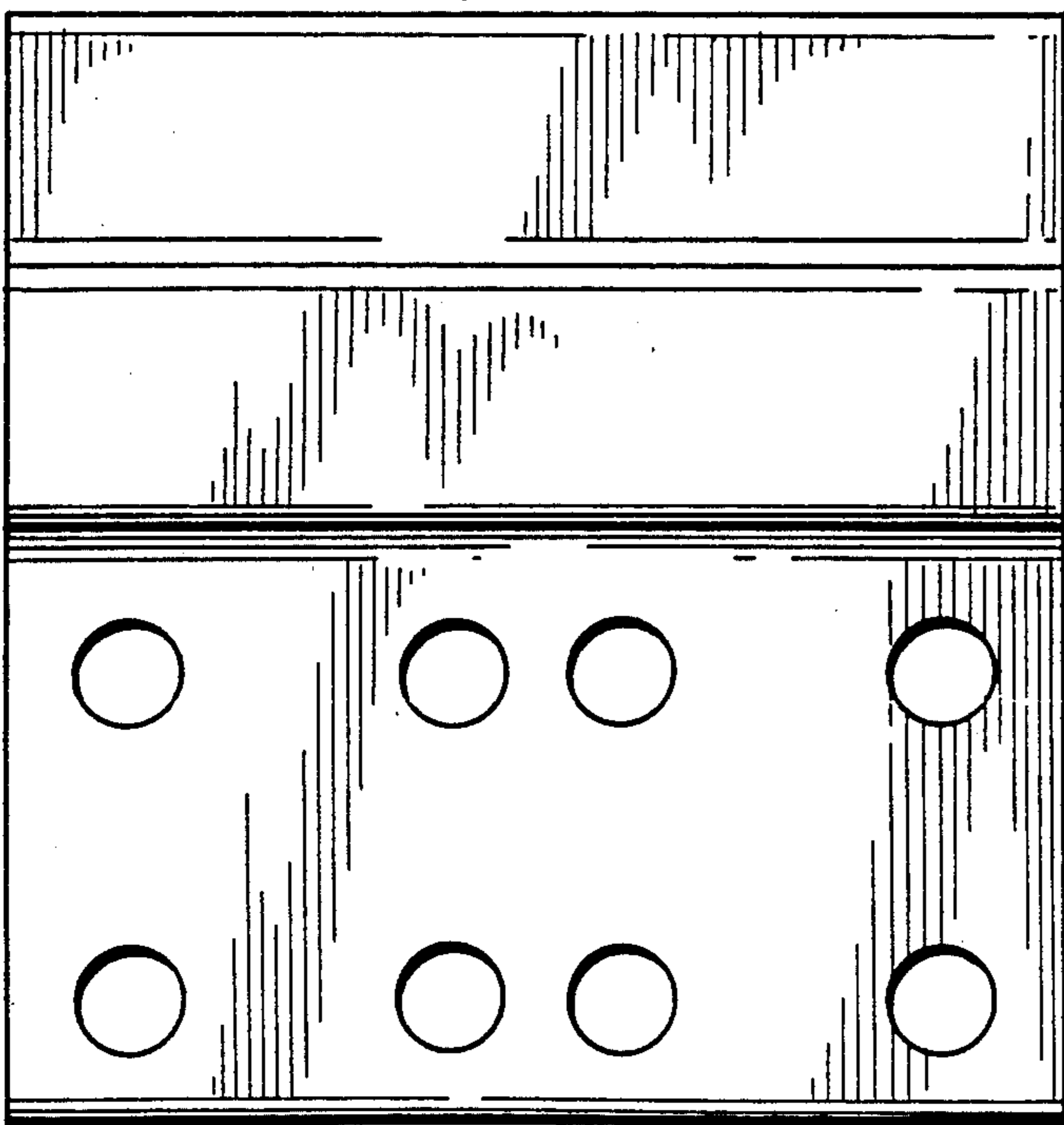


FIG. 3

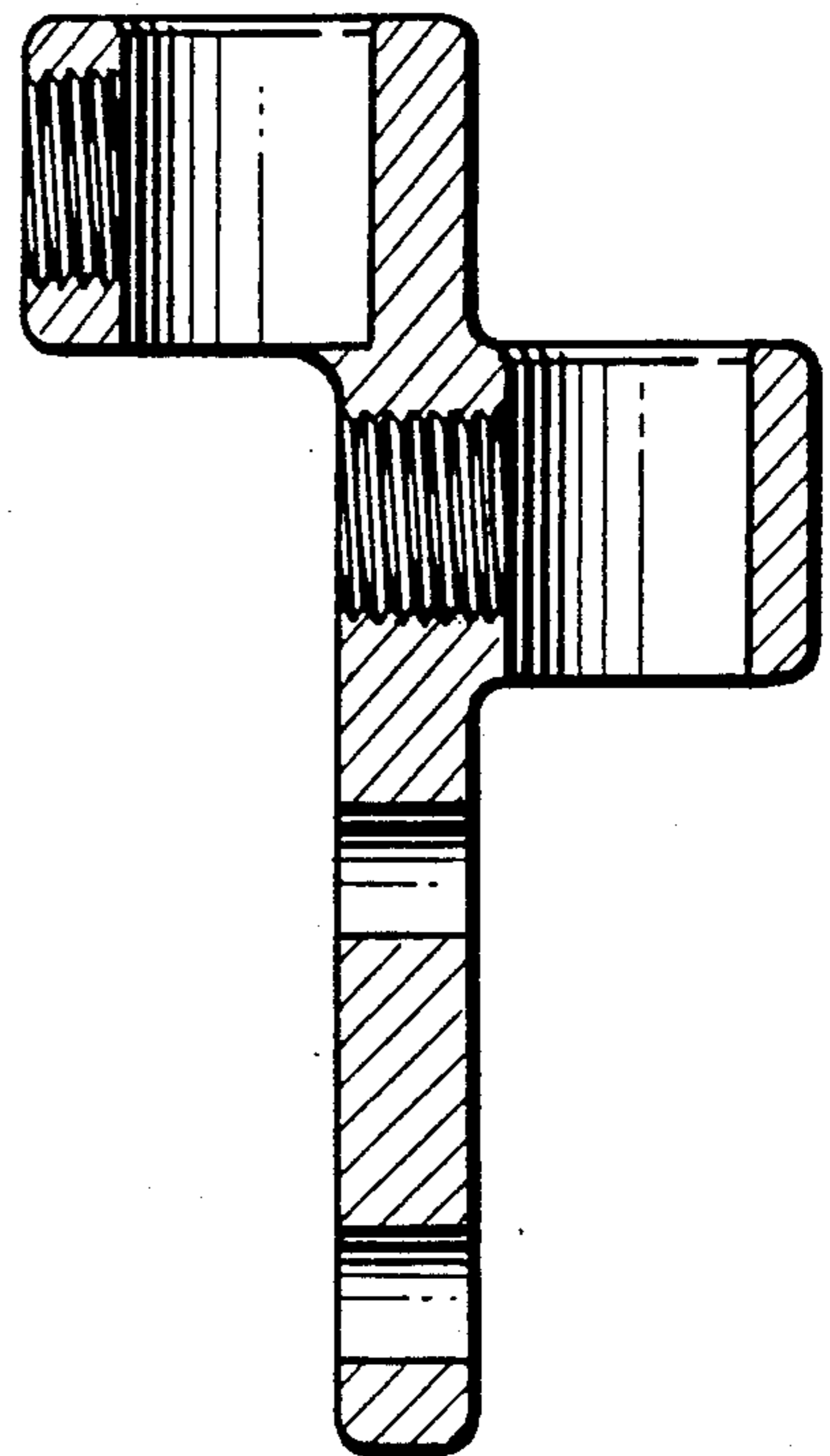
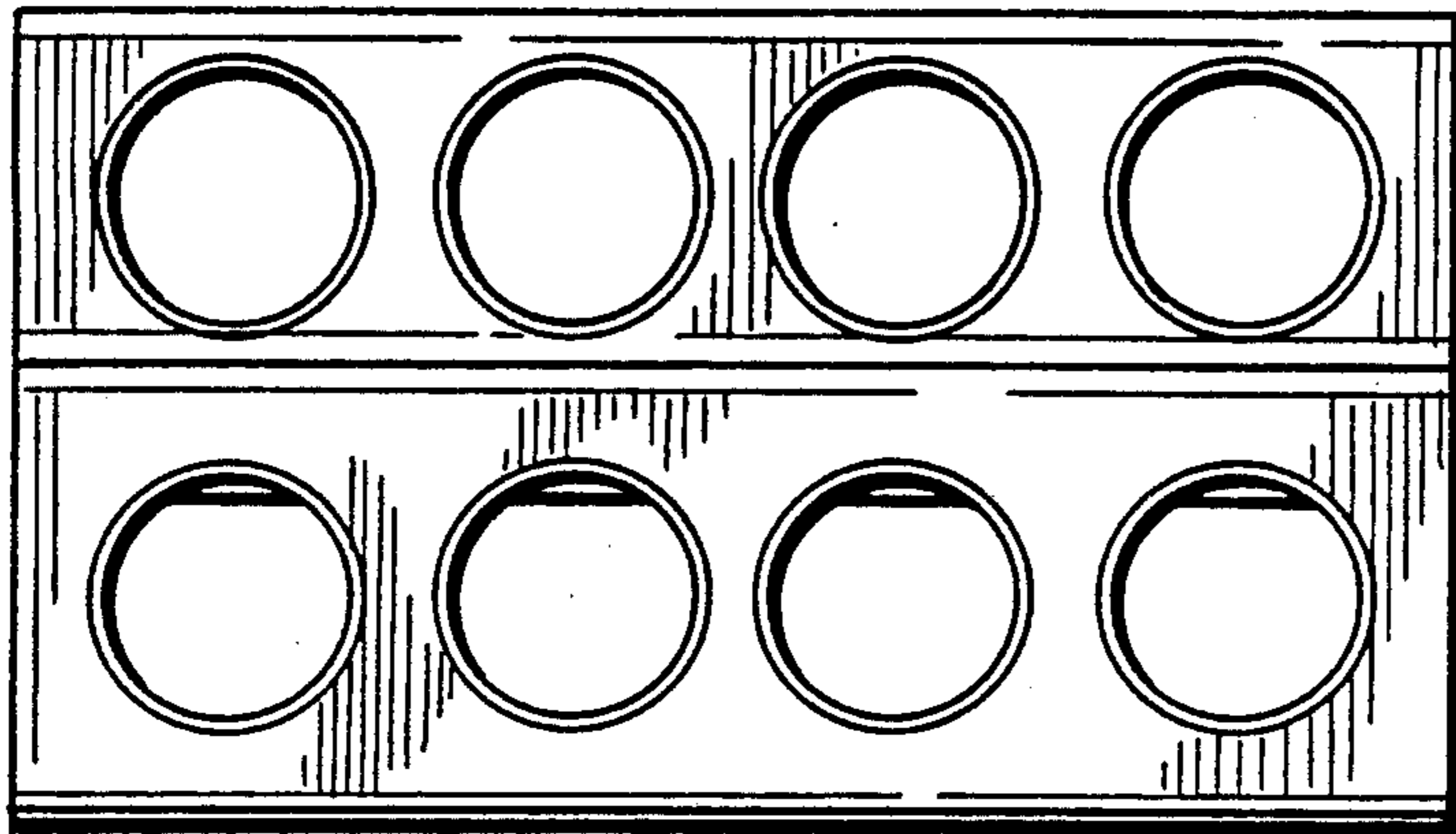
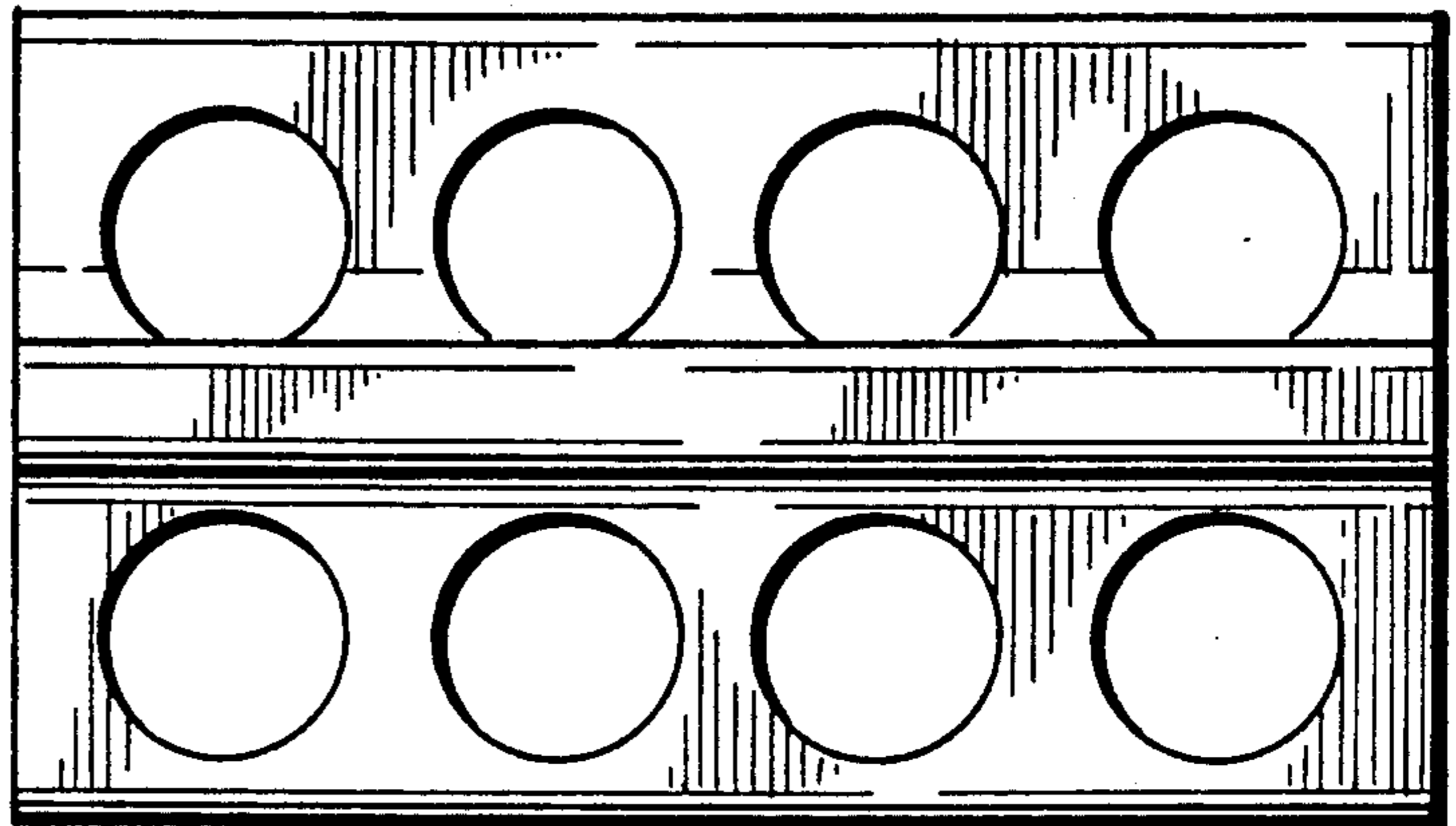


FIG. 7

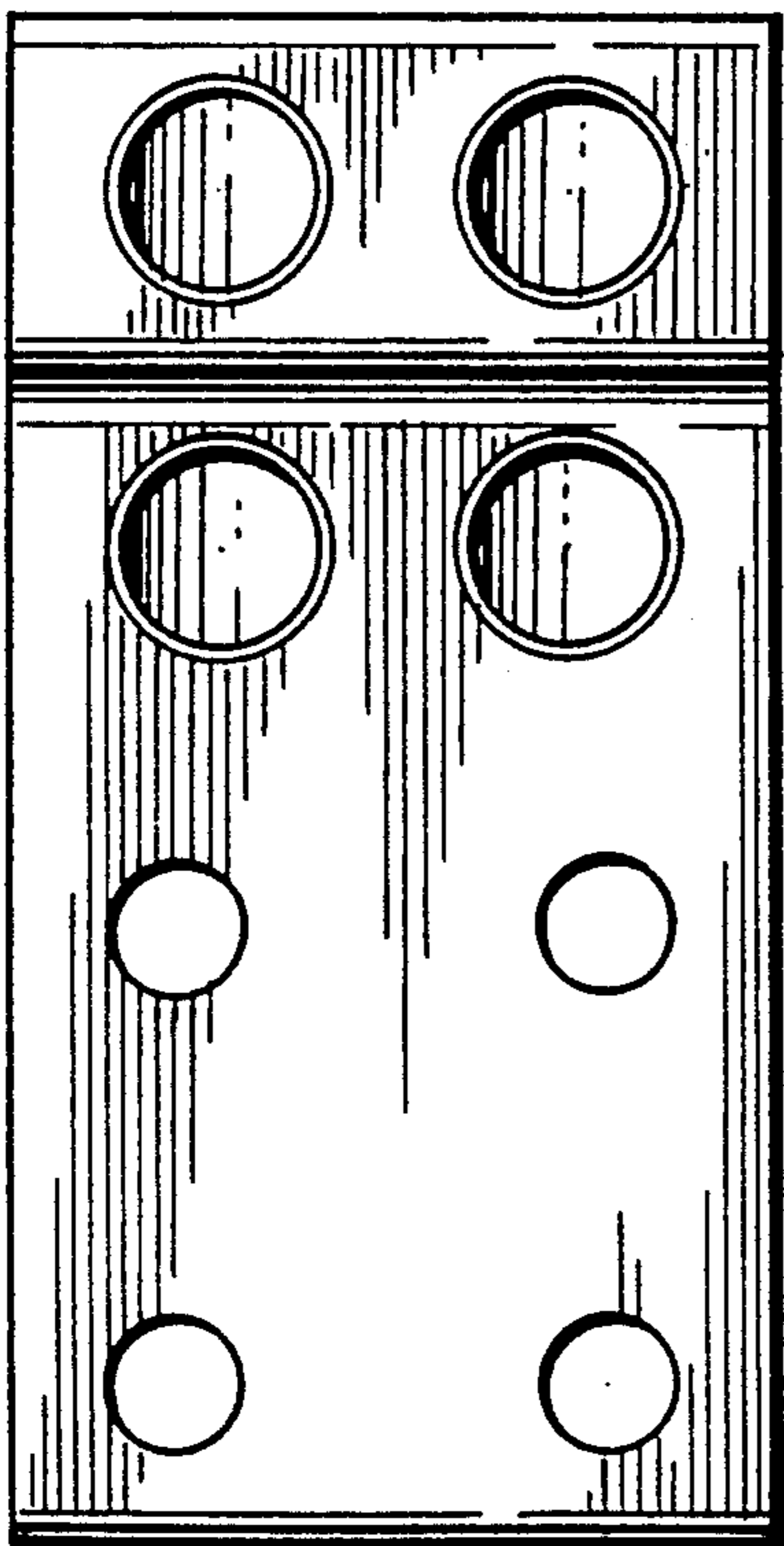


*FIG. 4*



*FIG. 5*

*FIG. 8*



*FIG. 9*

