

[54] SCREW-IN ADAPTER FOR A LIGHT BULB SOCKET

[75] Inventor: Frederic W. Schwartz, Providence, R.I.

[73] Assignee: Cable Electric Products, Inc., Providence, R.I.

[**] Term: 14 Years

[21] Appl. No.: 346,208

[22] Filed: May 1, 1989

[52] U.S. Cl. D13/136; D13/134

[58] Field of Search D13/110, 134, 135, 136; D14/256; D26/3; 439/156, 160, 236, 245, 300, 619, 620, 642, 646; 380/4; 315/4, 53, 56, 57, 62, 63, 100, 108; 313/318

[56] References Cited

U.S. PATENT DOCUMENTS

- D. 284,652 7/1986 Engel D13/135
- D. 290,110 6/1987 Blaisdell et al. D13/135

- D. 291,557 8/1987 Engel D13/135
- D. 296,549 7/1988 Fenne D13/134
- 2,691,143 10/1954 Lawson D13/134 X
- 3,800,377 4/1974 Palmen 313/318 X
- 4,183,604 1/1980 Tjornhom, Sr. 439/300
- 4,334,172 6/1982 Wyner et al. 315/57 X
- 4,632,490 12/1986 Von Gunten D13/134 X
- 4,660,906 4/1987 Haraden 439/611 X

Primary Examiner—Susan J. Lucas
Assistant Examiner—J. Sincavage
Attorney, Agent, or Firm—Paul J. Sutton

[57] CLAIM

The ornamental design for a screw-in adapter for a light bulb socket, as shown and described.

DESCRIPTION

FIG. 1 is an upper left perspective view of a screw-in adapter for a light bulb socket showing my new design; FIG. 2 is a top plan view thereof; FIG. 3 is a left side elevational view thereof, the right side elevational view thereof being a mirror image; FIG. 4 is a bottom plan view thereof.

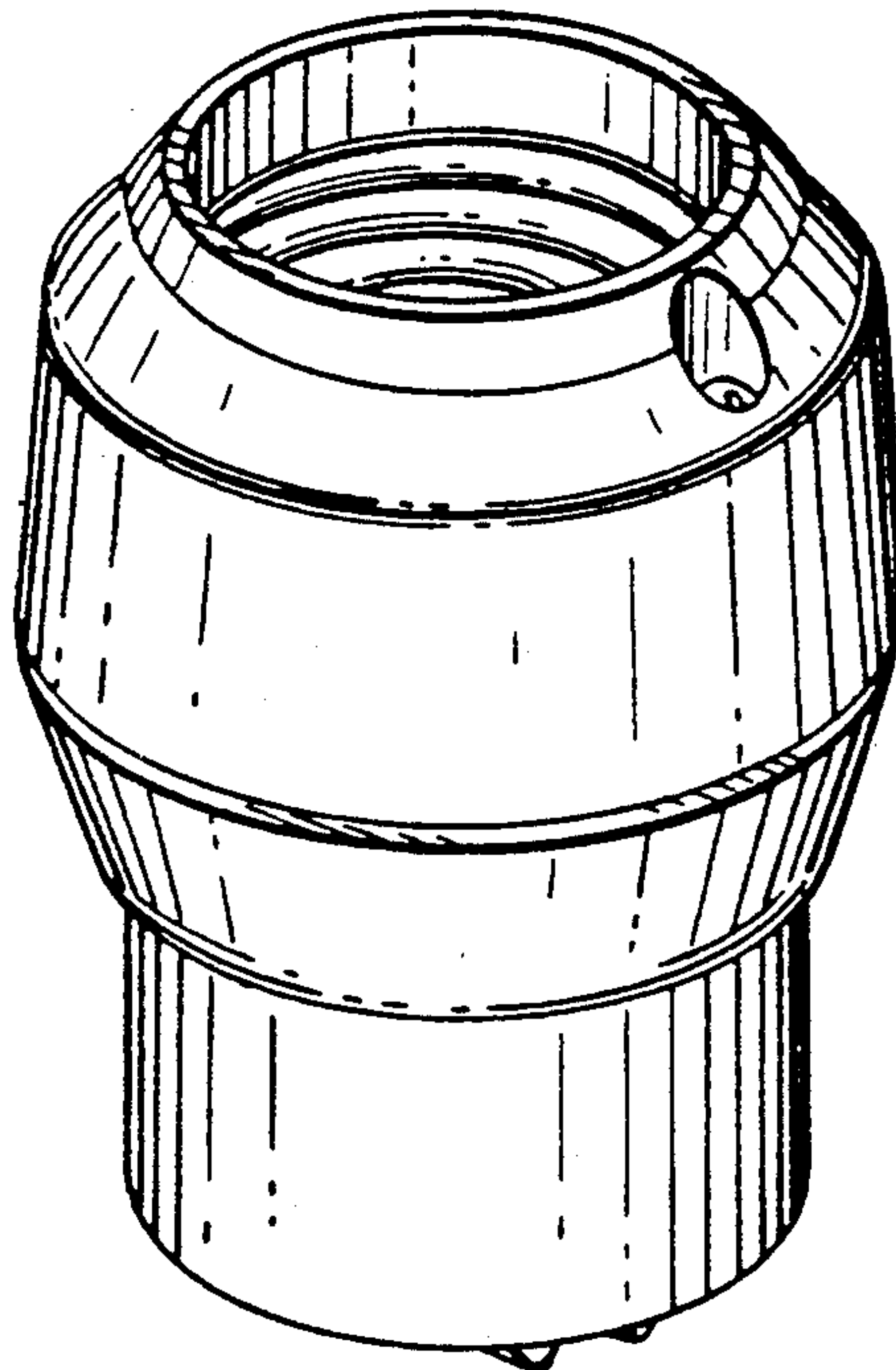


FIG. 1

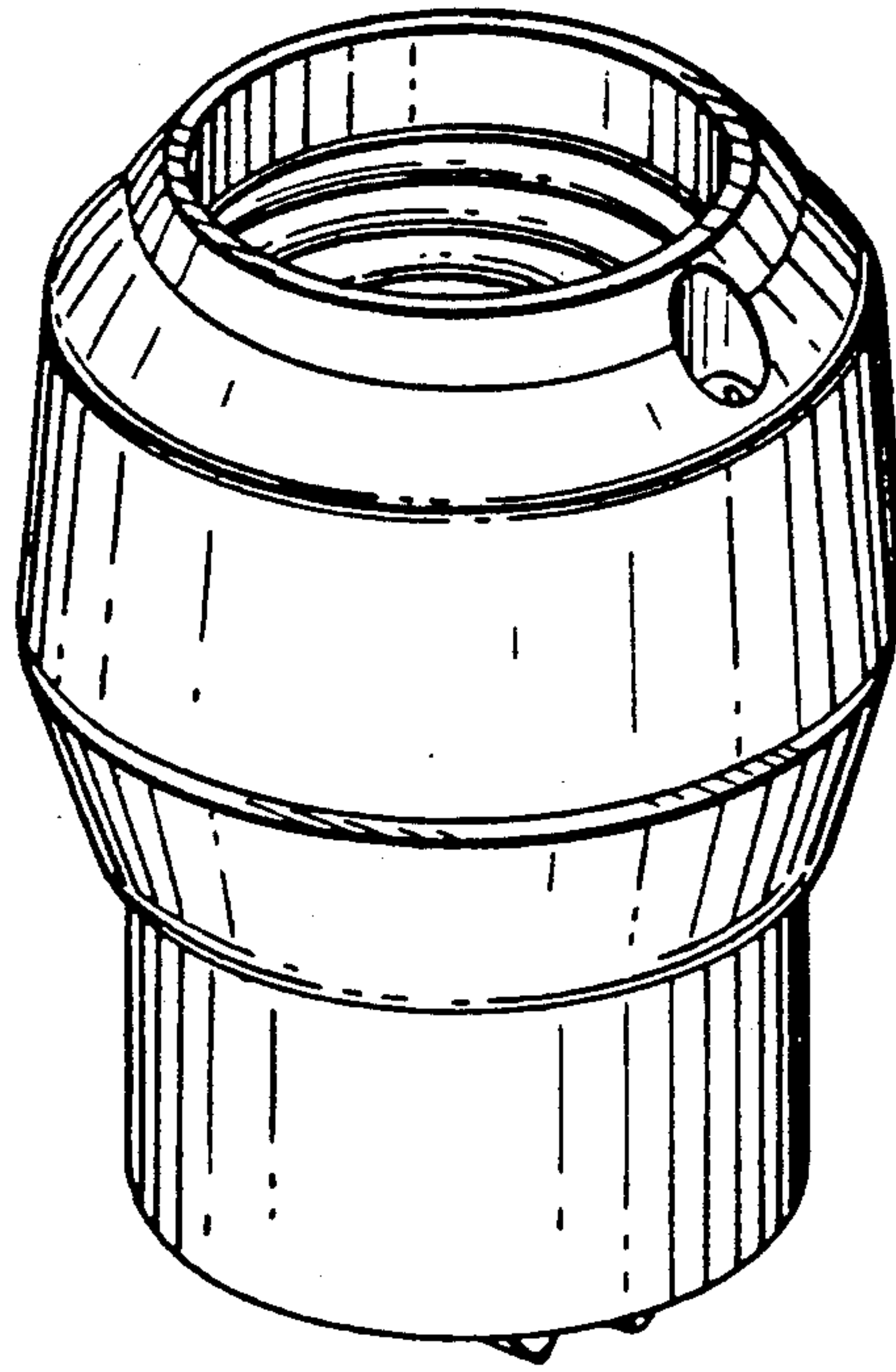


FIG. 2

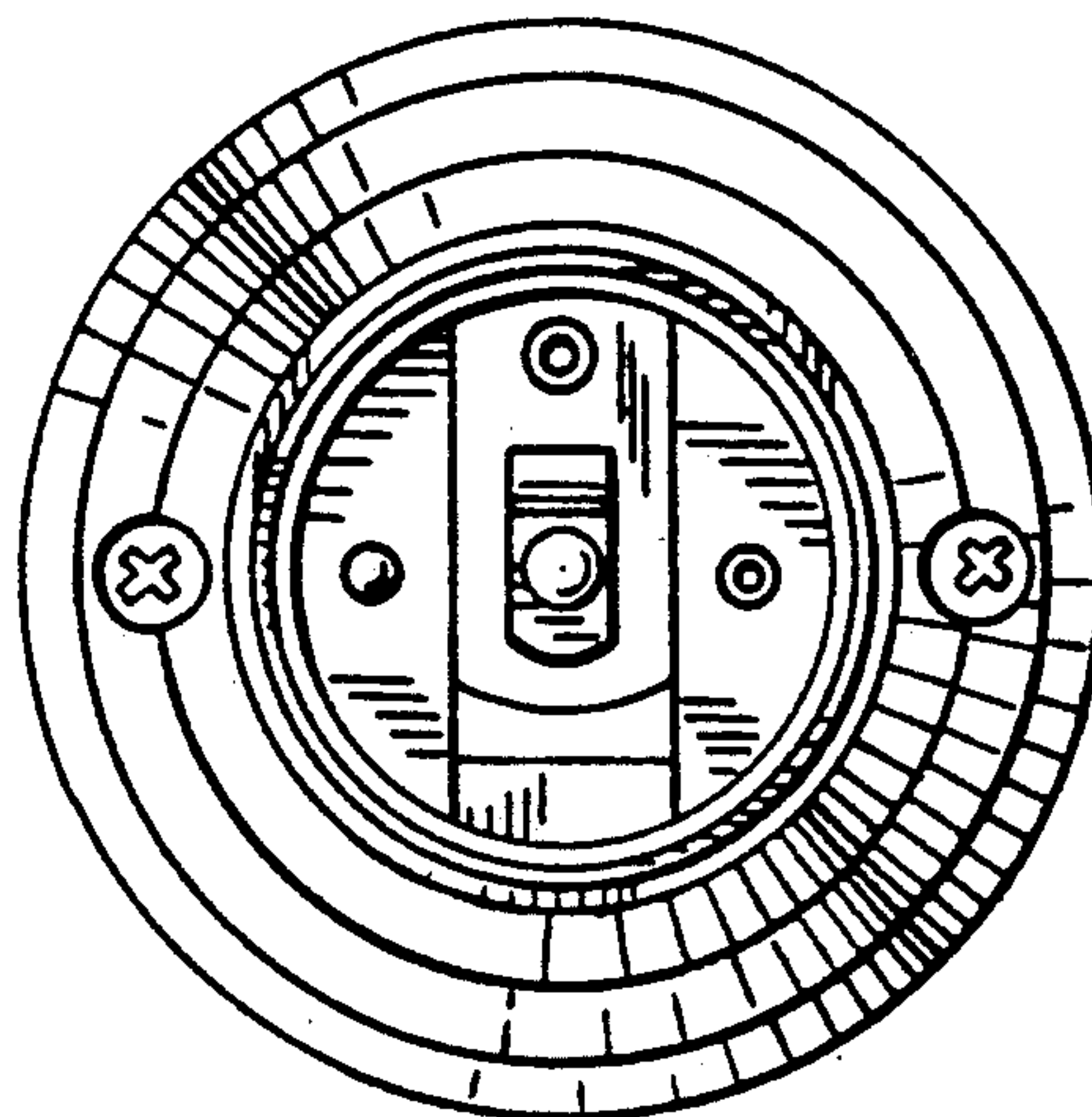


FIG. 3

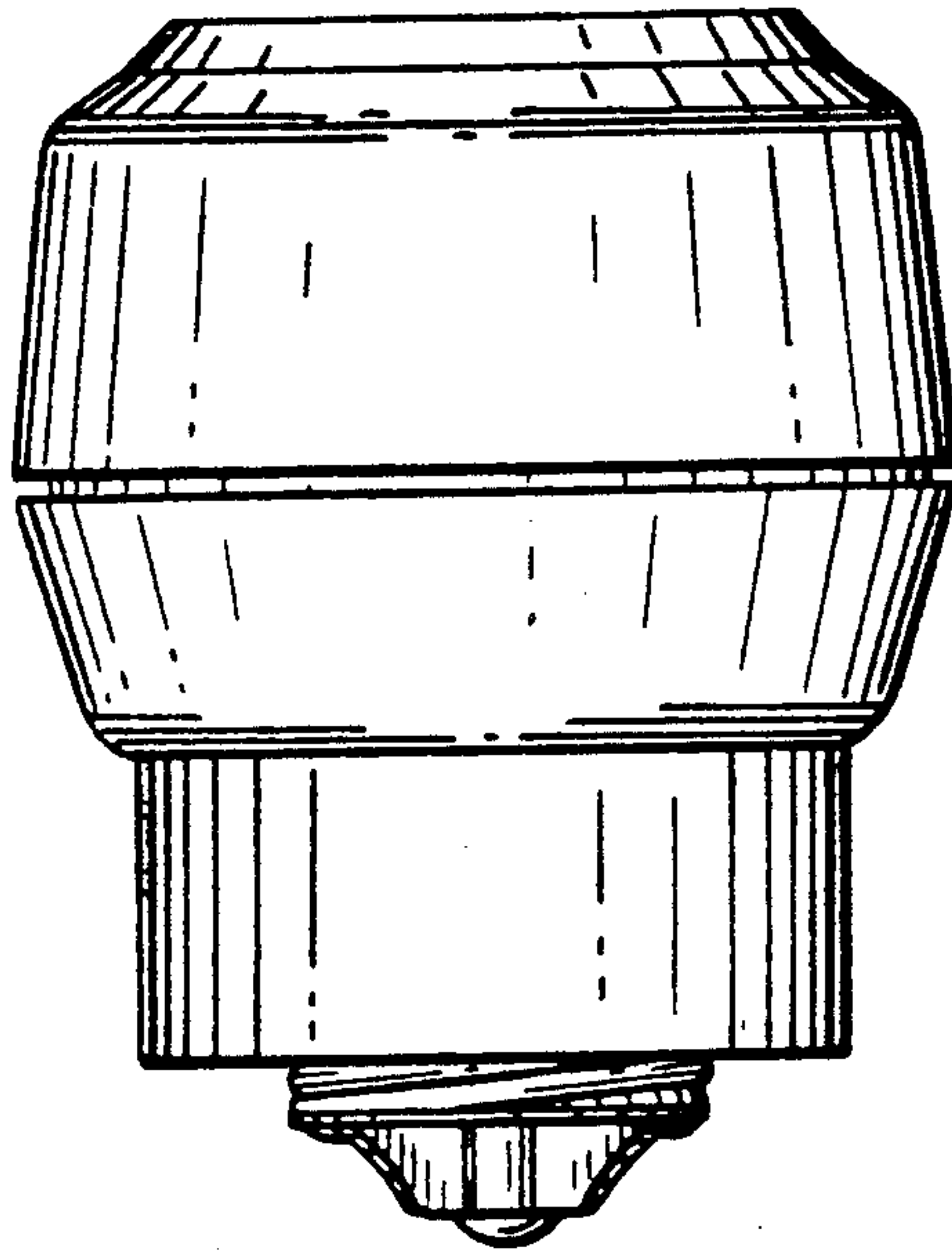


FIG. 4

