

[54] VEHICLE STORAGE BOX

[76] Inventor: Raymond W. Alberts, 10921 Elmwood Dr., Kansas City, Mo. 64137

[**] Term: 14 Years

[21] Appl. No.: 308,566

[22] Filed: Feb. 10, 1989

[52] U.S. Cl. D12/157

[58] Field of Search D12/157; D3/40; 296/37.1, 37.6, 37.8, 37.16; 224/273, 41.11, 42.42

[56] References Cited

U.S. PATENT DOCUMENTS

D. 310,504	9/1990	Dortch	D12/157
3,068,038	12/1962	Douglass, Jr.	224/42.42 R
3,326,595	6/1967	Ogilvie	296/37.6
3,722,946	3/1973	Cary	224/42.42 R

3,727,971	4/1973	Sisler	296/37.6
3,826,529	7/1974	Wood	296/37.1
4,384,663	5/1983	Smith-Williams	296/37.1

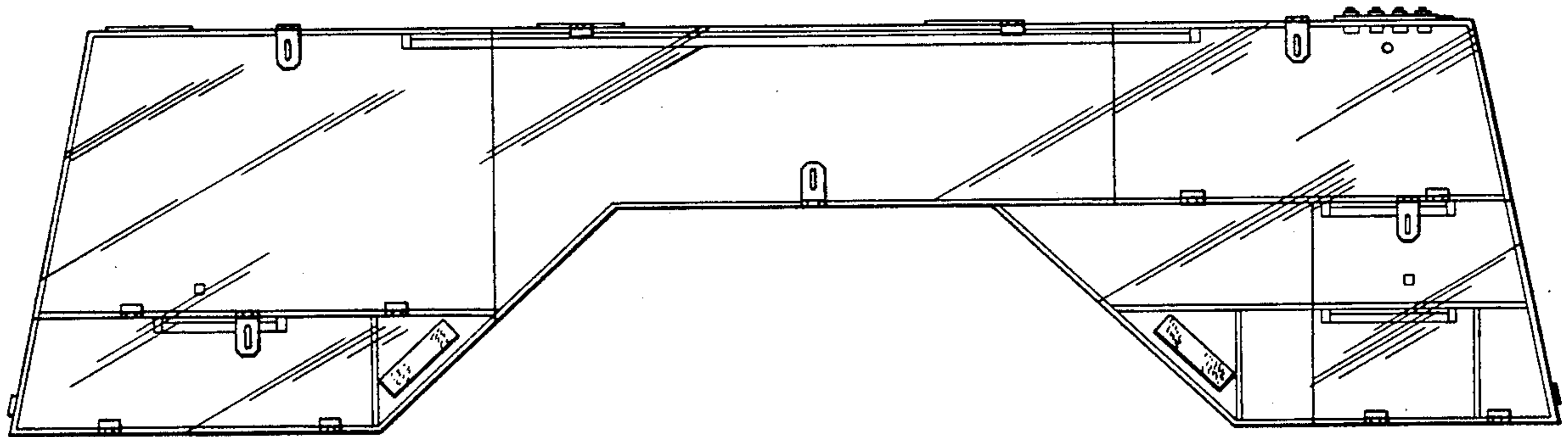
Primary Examiner—James M. Gandy
Attorney, Agent, or Firm—Kokjer, Kircher, Bradley, Wharton, Bowman & Johnson

[57] CLAIM

The ornamental design for a vehicle storage box, as shown and described.

DESCRIPTION

FIG. 1 is a front elevational view of a vehicle storage box embodying my new design; FIG. 2 is an end elevational view thereof, the end opposite being substantially a mirror image of the end shown; FIG. 3 is a top plan view thereof; and FIG. 4 is a rear elevational view thereof. The bottom of the vehicle storage box is plain and unornamented.



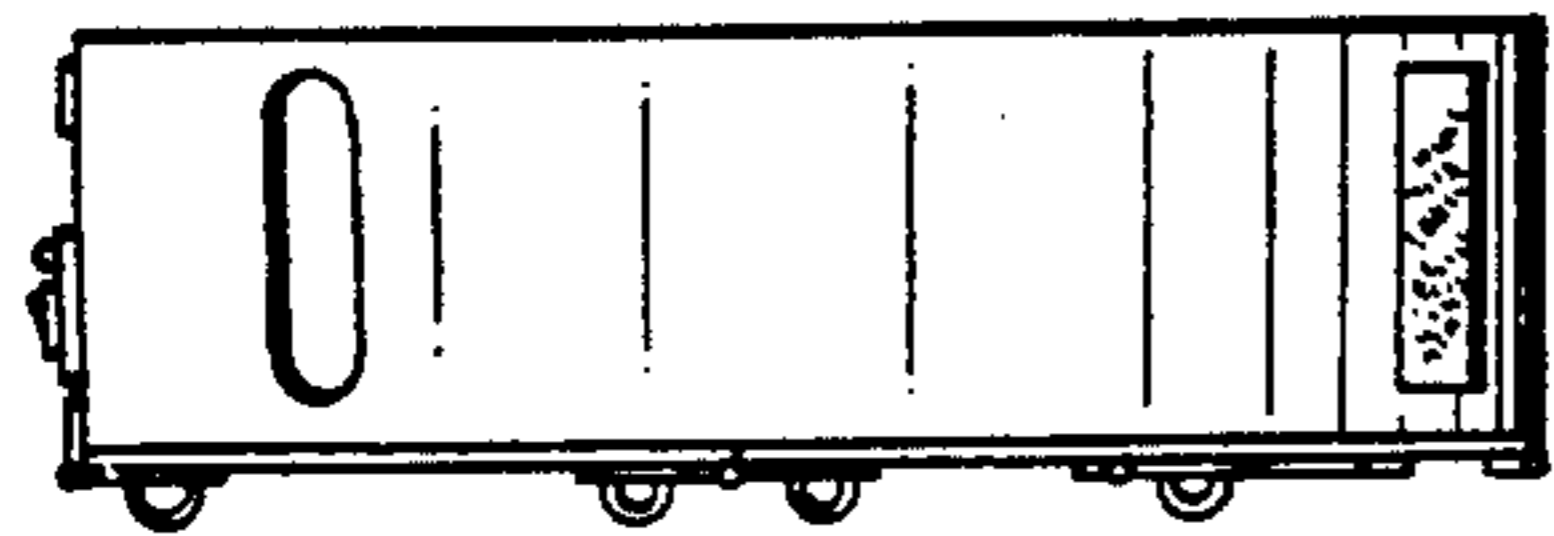


Fig. 2.

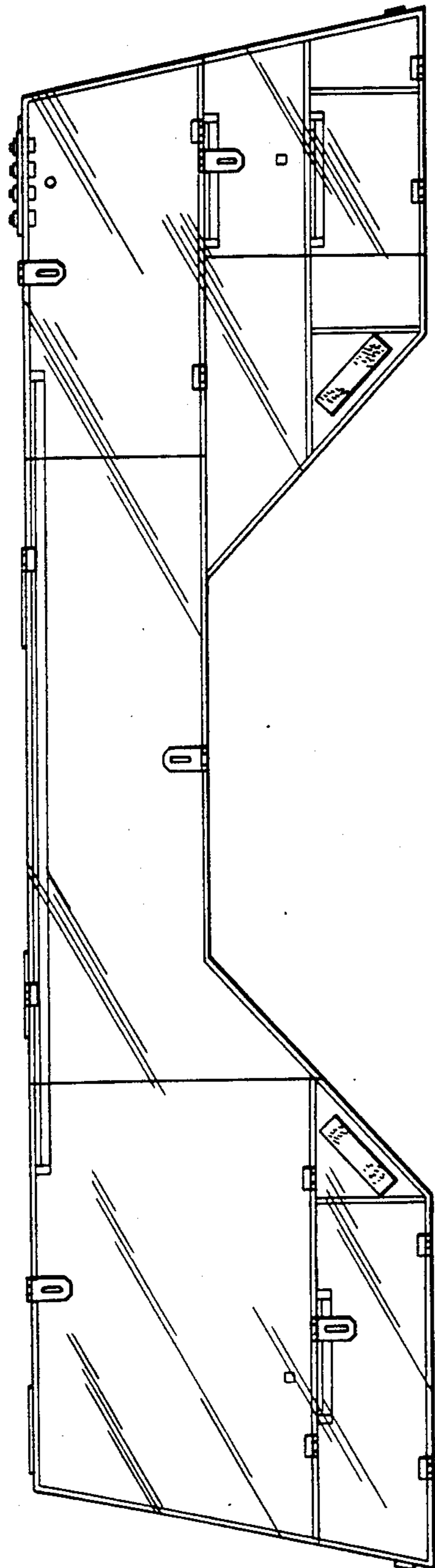


Fig. 1.

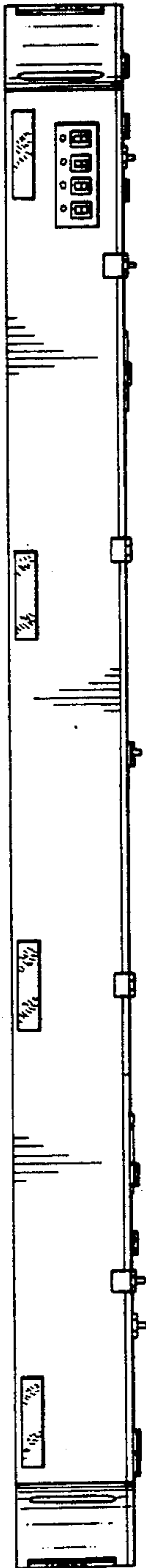


Fig. 3.

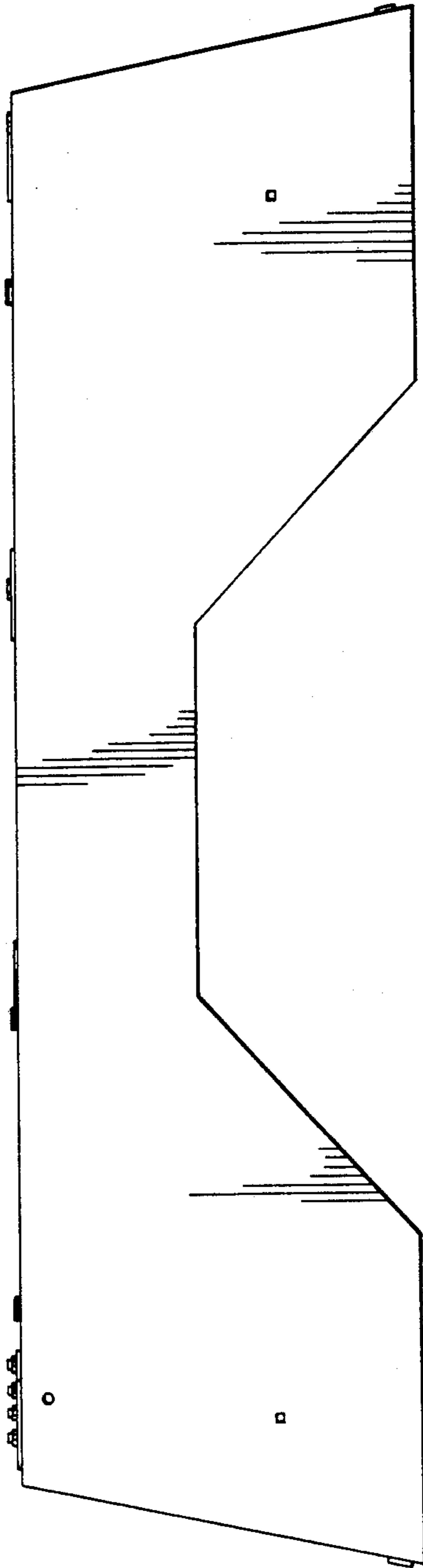


Fig. 4.