

[54] BICYCLE PEDAL OR THE LIKE

[76] Inventors: William C. Feamster, III, P.O. Box 571, Irvington, Va. 22480; William A. Feamster, 4013 Nina Dr., Chesapeake, Va. 23321

[\*\*] Term: 14 Years

[21] Appl. No.: 336,462

[22] Filed: Apr. 10, 1989

[52] U.S. Cl. .... D12/125; 74/594.4

[58] Field of Search ..... D12/125; 74/594.4

[56] References Cited

U.S. PATENT DOCUMENTS

D. 301,705 6/1989 Ropp ..... D12/125

OTHER PUBLICATIONS

American Bicyclist & Motorcyclist, Mar. 1989, p. 17, Union Frondenberg, Bike Pedals (Models Nos. 643, 647 & 649).

American Bicyclist & Motorcyclist, Dec. 1988, p. 122, Wellgo Bike Pedal, Model No. LU-888.

Primary Examiner—James M. Gandy  
Assistant Examiner—Melody N. Brown  
Attorney, Agent, or Firm—Mason, Fenwick & Lawrence

[57] CLAIM

The ornamental design for a bicycle pedal or the like, as shown and described.

DESCRIPTION

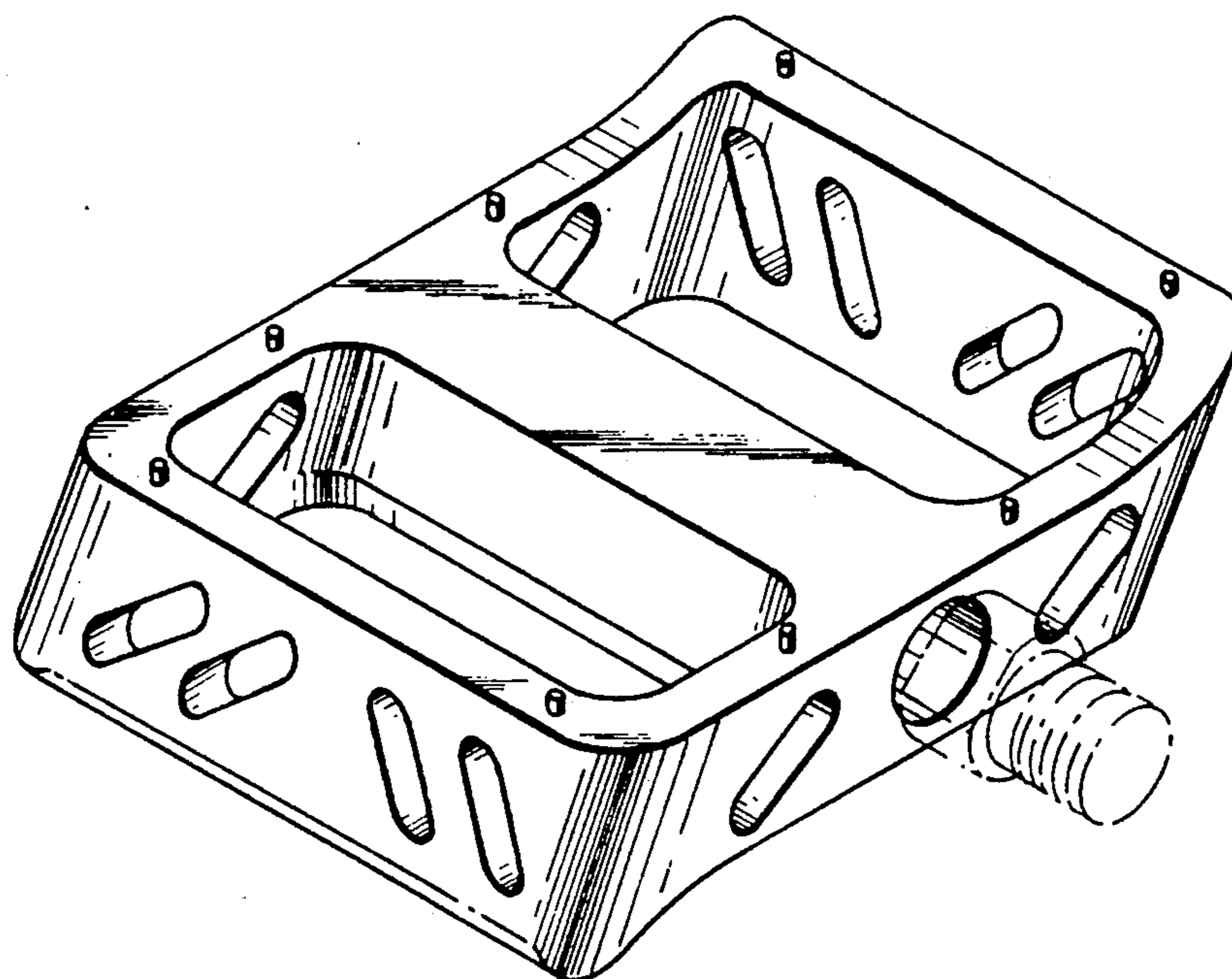
FIG. 1 is a perspective view of a bicycle pedal or the like, showing our new design it being understood that the broken lines are for illustrative purposes only and form no part of the claimed design;

FIG. 2 is a side elevational view thereof, viewed from the right of FIG. 1, the opposite view being substantially the mirror image thereof;

FIG. 3 is a front elevational view thereof, viewed from the right of FIG. 2, the opposite or rear elevational view thereof being substantially the mirror image thereof;

FIG. 4 is a bottom plan view thereof; and

FIG. 5 is a cross-sectional view thereof taken along the line 5—5 of FIG. 4.



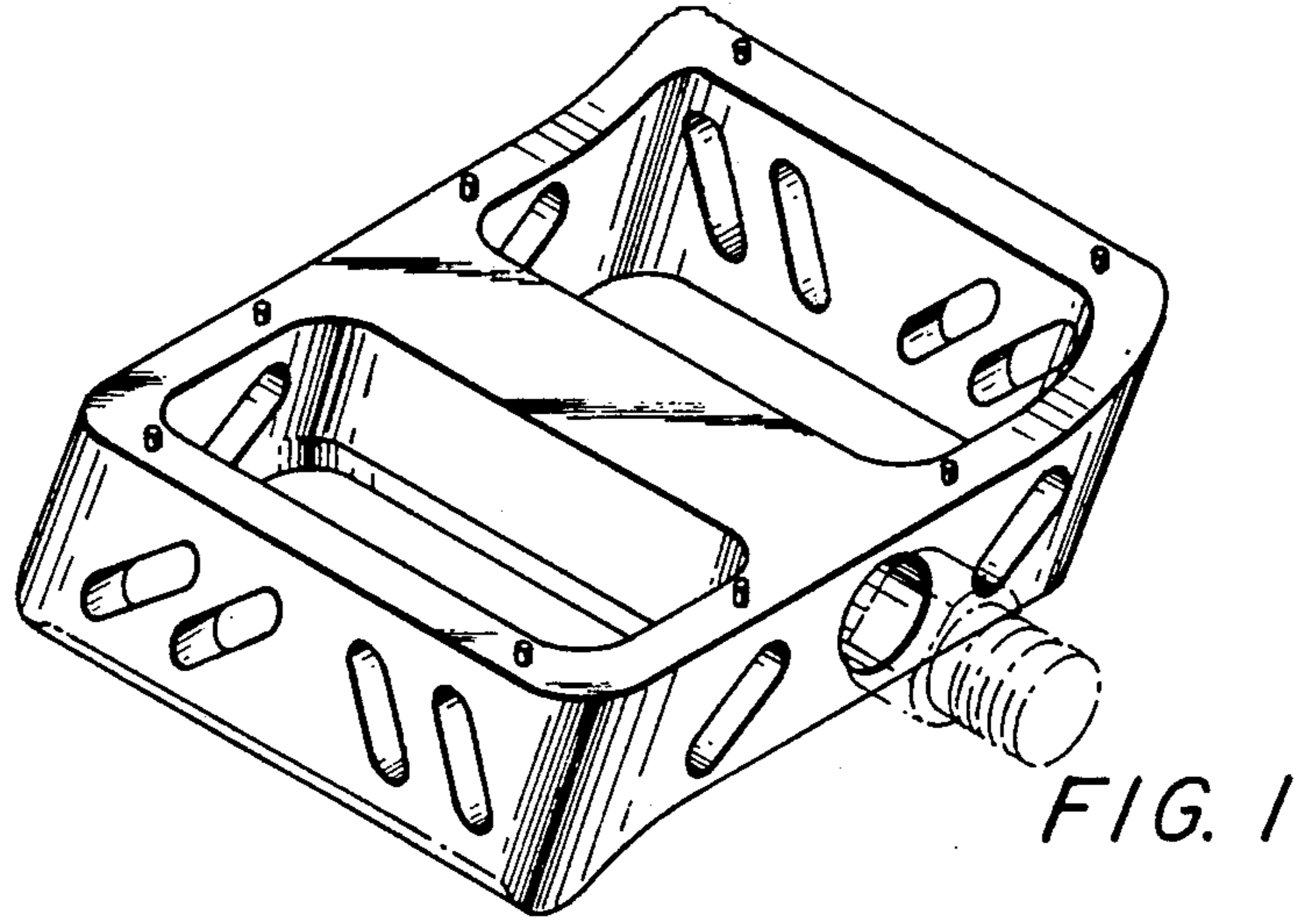


FIG. 1

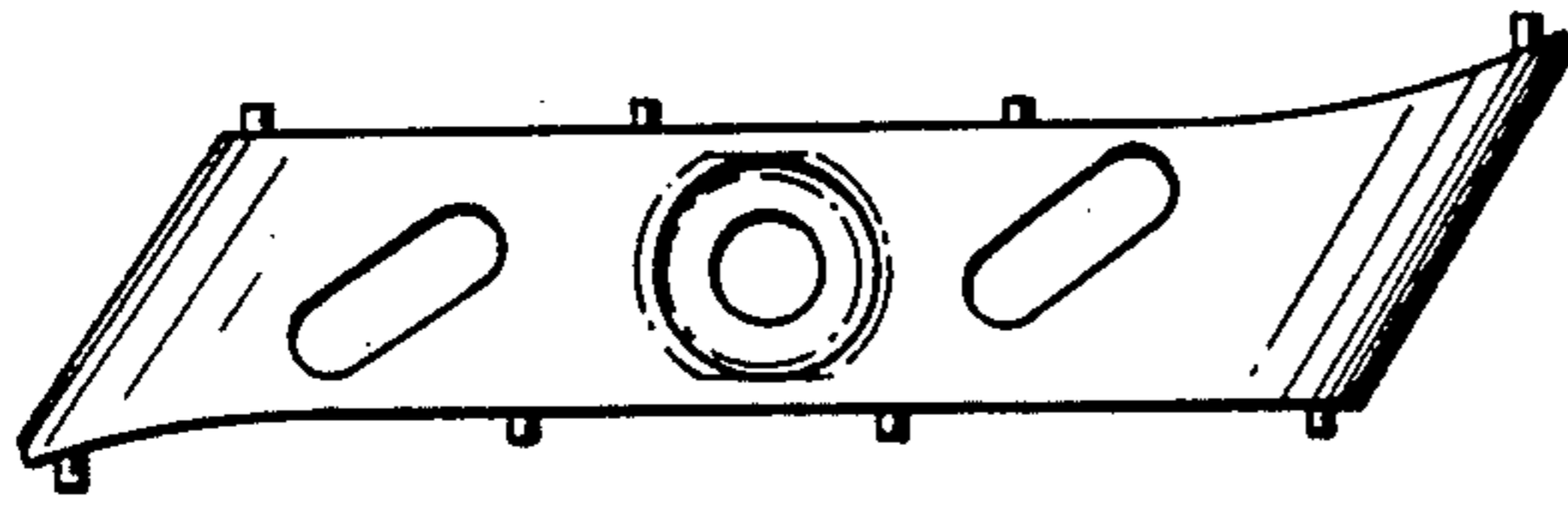


FIG. 2

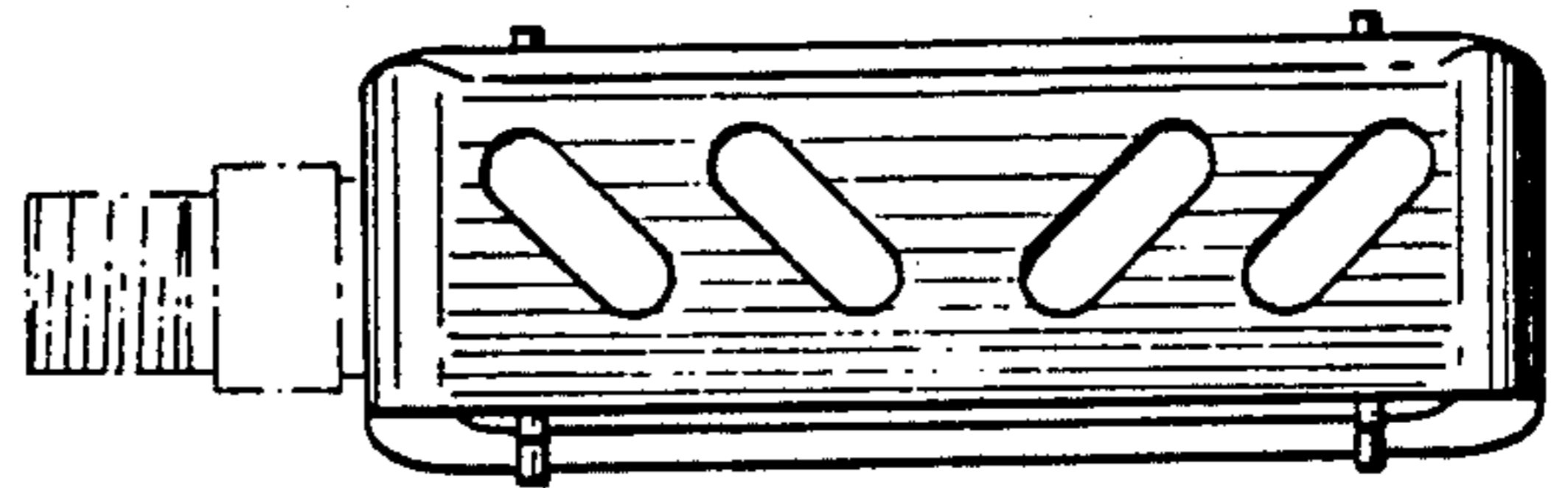


FIG. 3

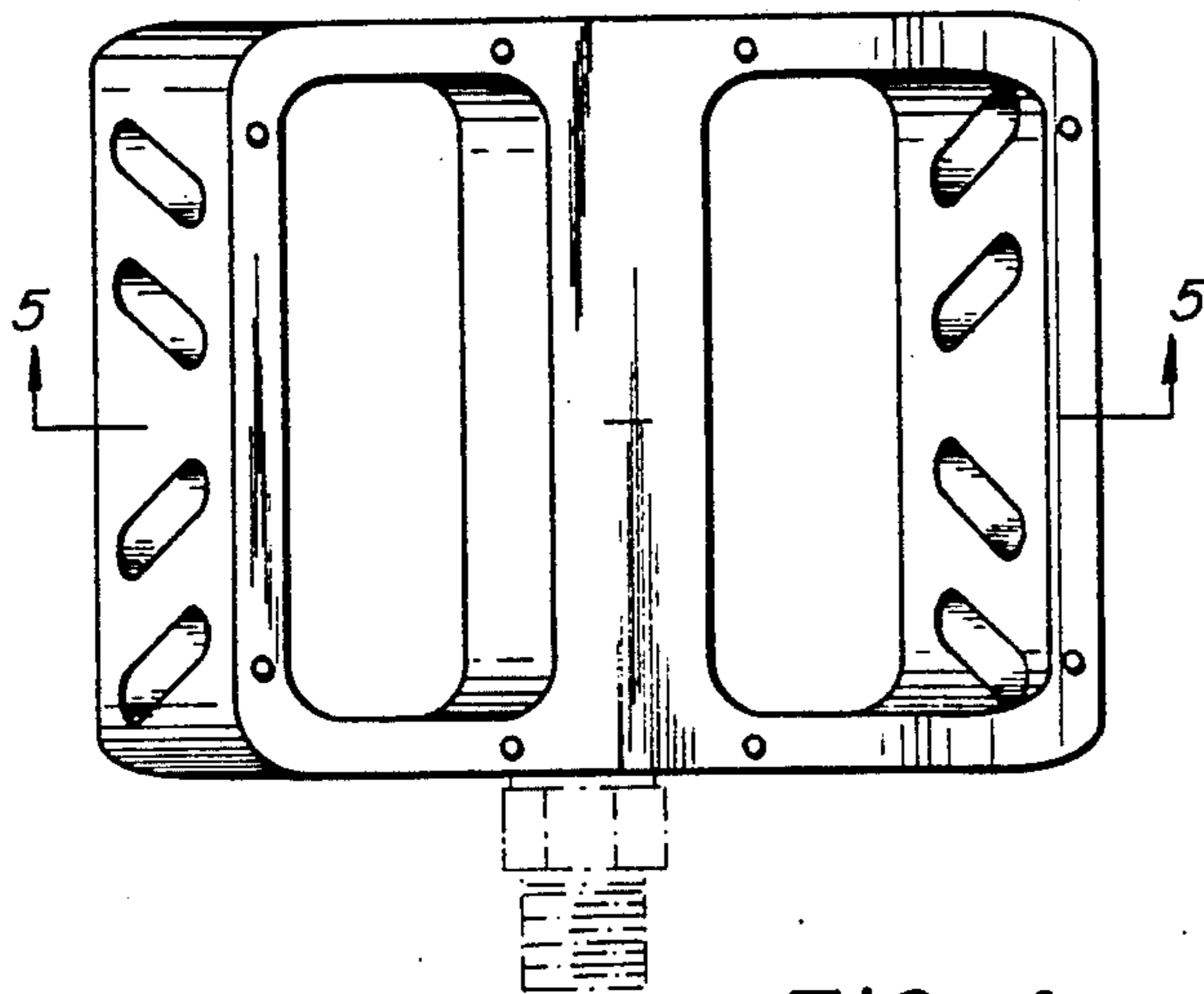


FIG. 4

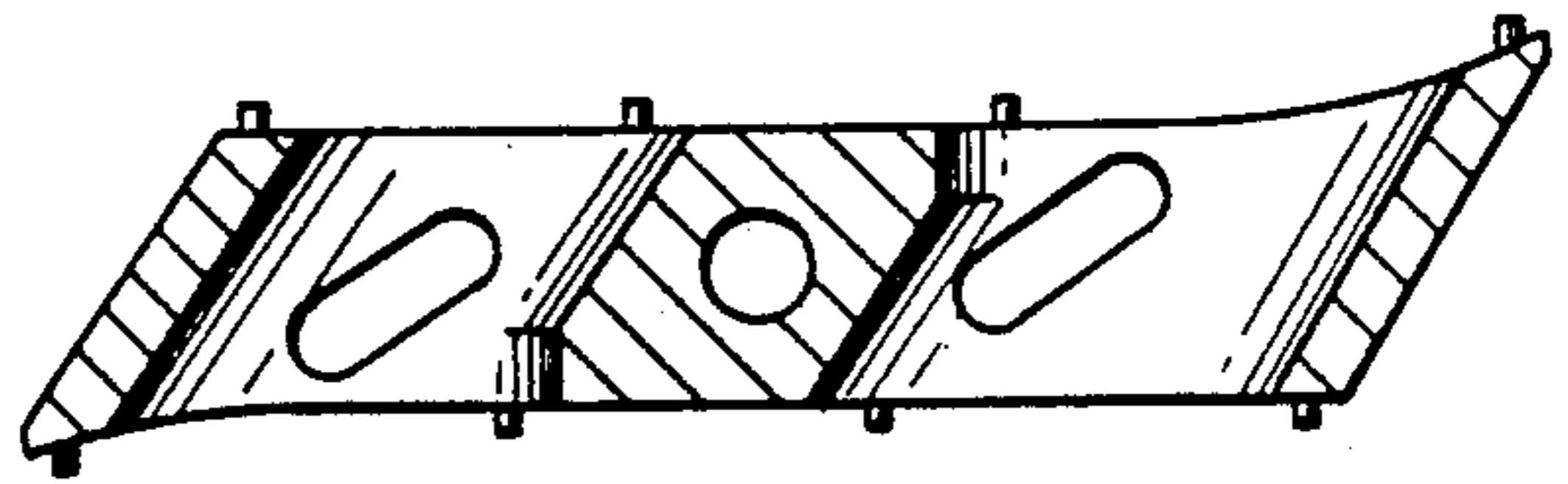


FIG. 5