

United States Patent [19]

Edwards et al.

[11] Patent Number: **Des. 320,362**

[45] Date of Patent: **** Oct. 1, 1991**

[54] **DEVICE FOR USE WITH UTILITY METERS TO RECORD TIME OF USE, DEMAND AND LOAD SURVEY DATA**

[75] Inventors: **Cree A. Edwards, Belmont; Larsh M. Johnson, San Francisco, both of Calif.**

[73] Assignee: **Domestic Automation Company, Inc., Foster City, Calif.**

[**] Term: **14 Years**

[21] Appl. No.: **184,044**

[22] Filed: **Apr. 20, 1988**

[52] U.S. Cl. **D10/99**

[58] Field of Search **D10/46, 75, 95, 96, D10/99, 100, 101, 102; 250/231 SE; 324/156, 157, 113, 114, 115, 116; 340/870.02, 870.03; 361/364, 366, 367, 368, 372; 364/480, 481, 482, 483**

[56] **References Cited**

U.S. PATENT DOCUMENTS

D. 83,740 3/1931 Mylius et al. D10/100

D. 213,466 3/1969 Moran et al. D10/100 X
D. 219,792 1/1971 Grosso D10/100
4,163,939 8/1979 Halstead et al. 328/156 X
4,491,789 1/1985 Benbow 324/113 X

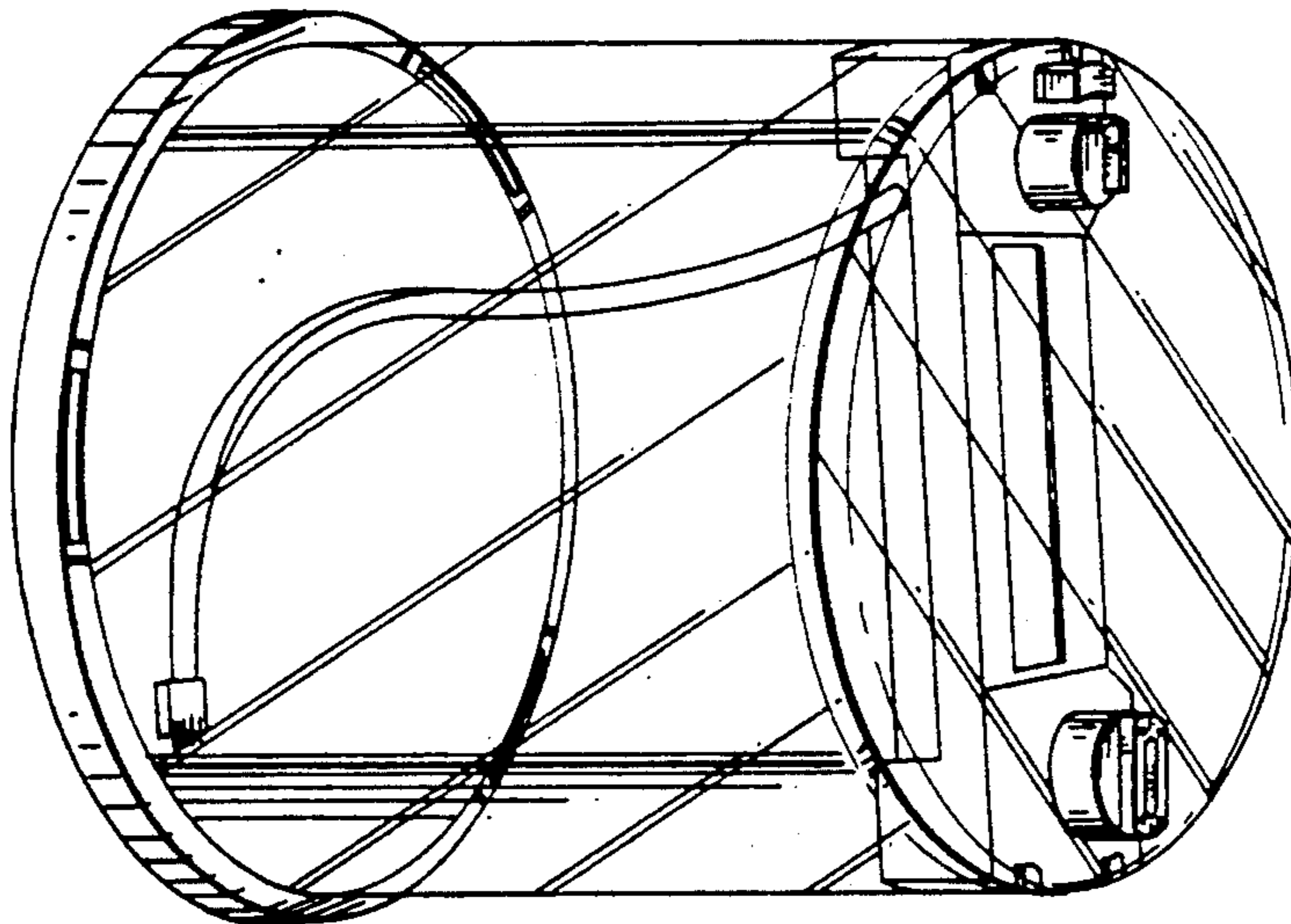
Primary Examiner—Nelson C. Holtje
Assistant Examiner—Antoine D. Davis
Attorney, Agent, or Firm—Heller, Ehrman, White & McAuliffe

[57] CLAIM

The ornamental design for a device for use with utility meters to record time of use, demand and load survey data, as shown.

DESCRIPTION

FIG. 1 is a front and bottom perspective view of a device for use with utility meters to record time of use, demand and load survey data showing our new design; FIG. 2 is a bottom elevational view; FIG. 3 is a right side elevational view; FIG. 4 is a left side elevational view; FIG. 5 is a front elevational view; FIG. 6 is a rear elevational view; and FIG. 7 is a top elevational view thereof.



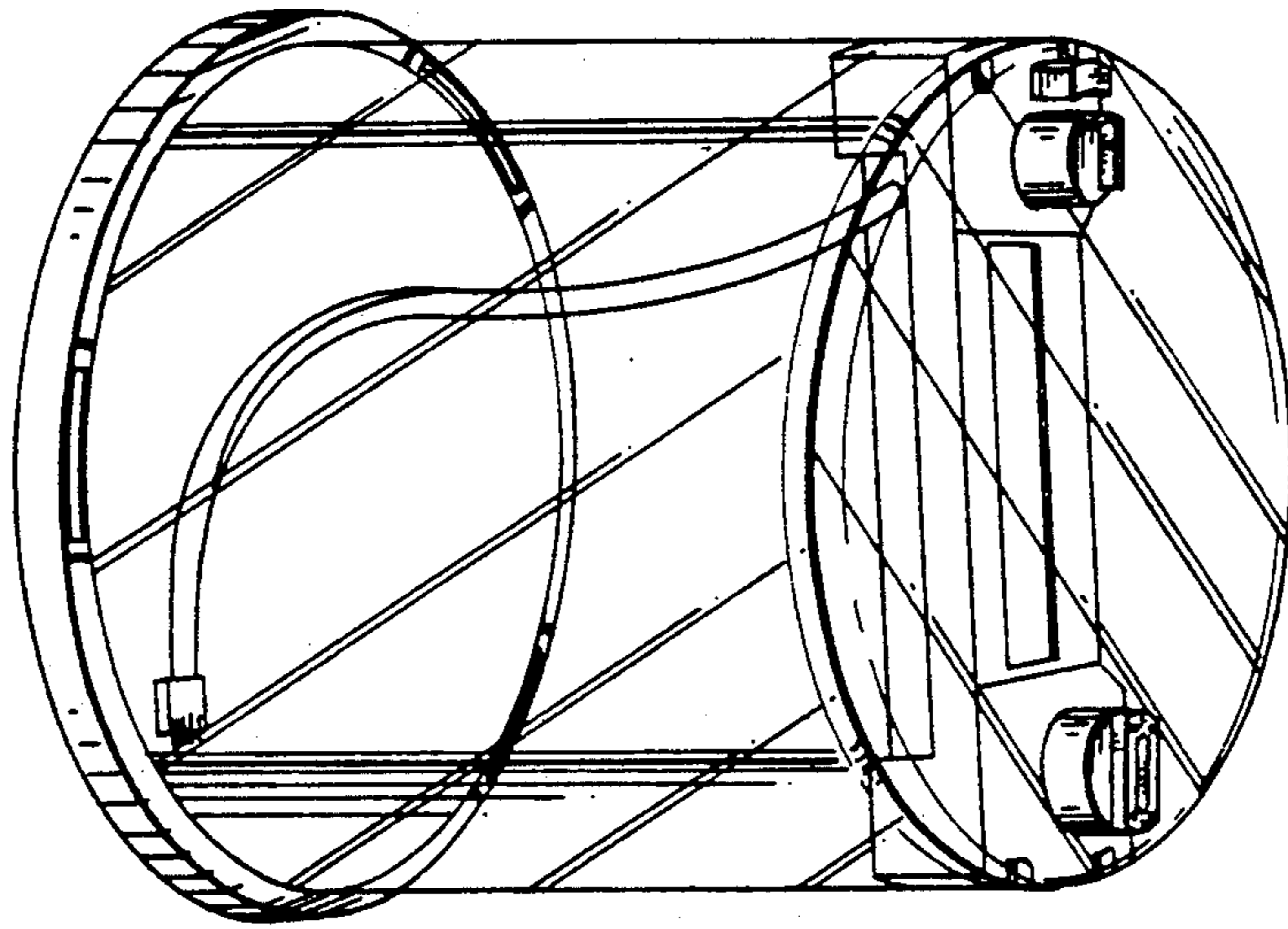


FIG.—1

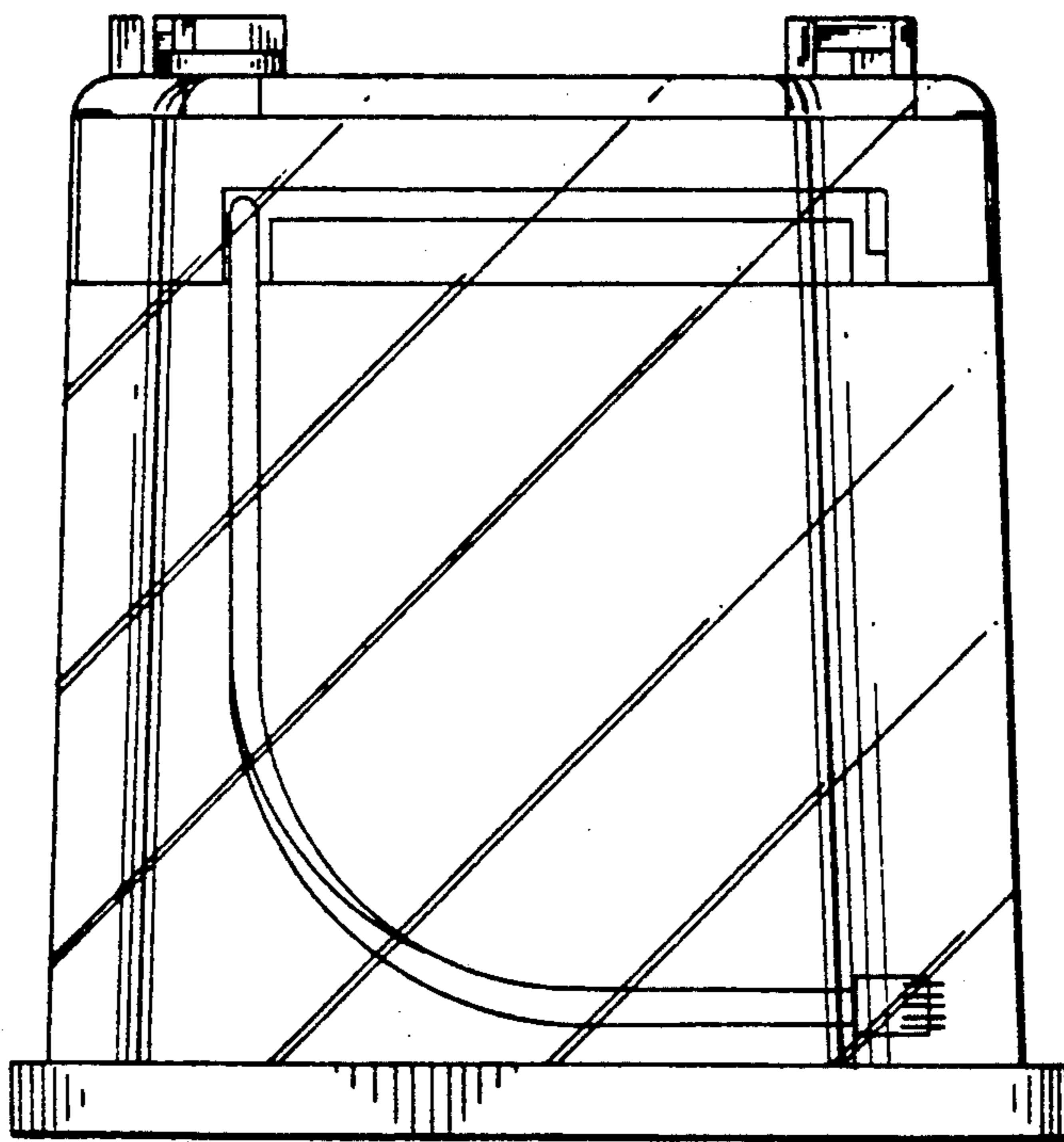


FIG.—2

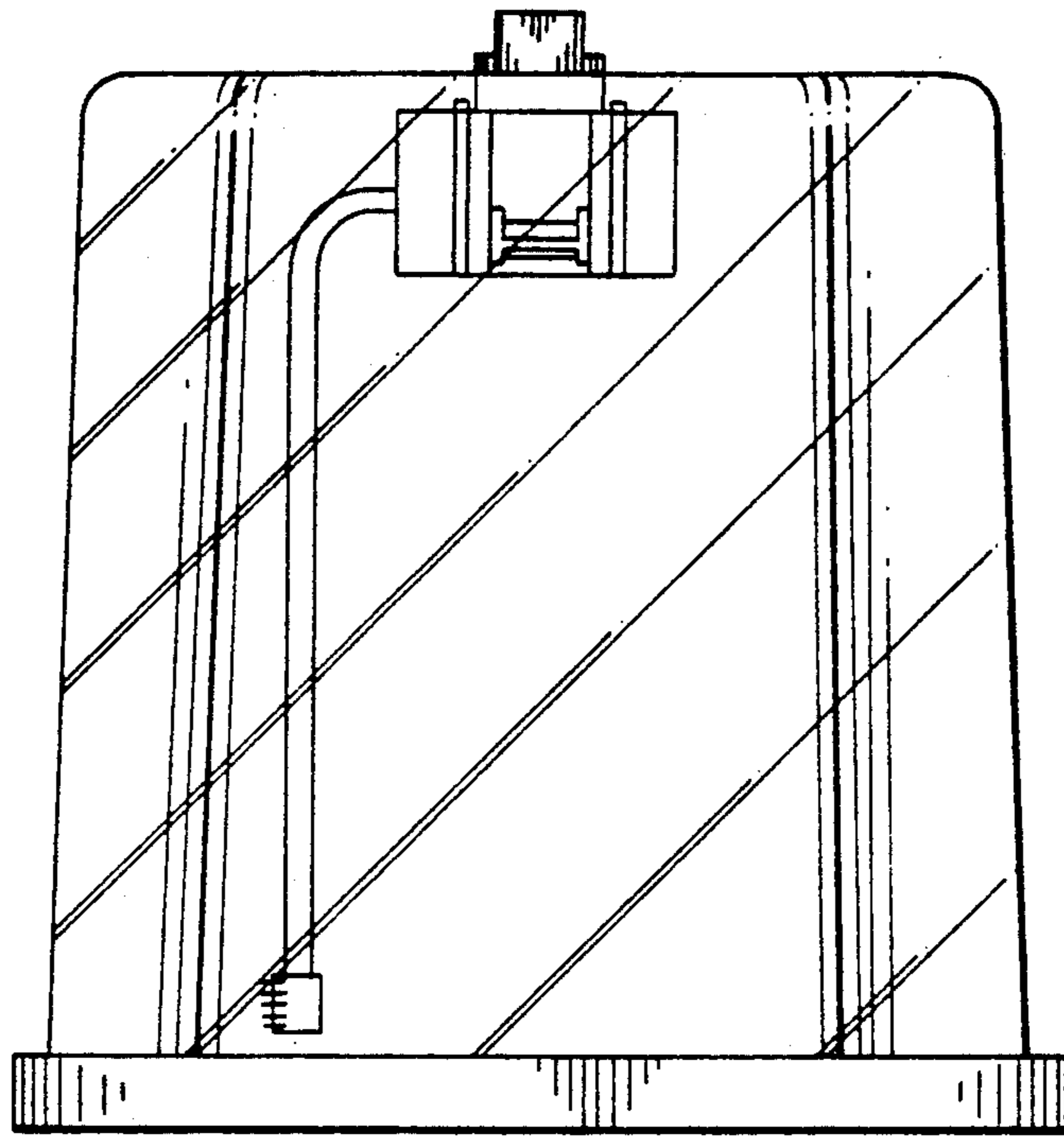


FIG.—3

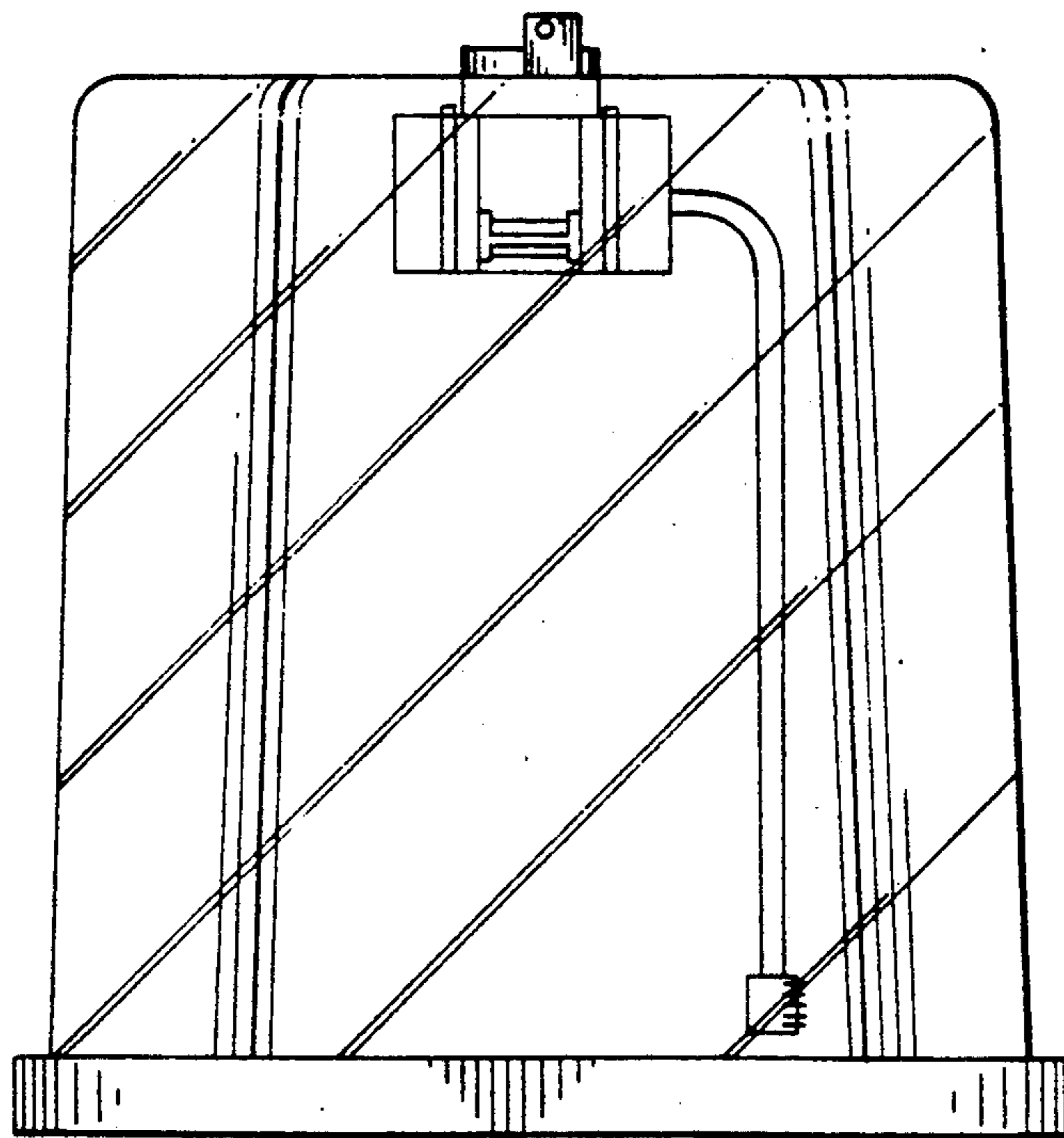


FIG.—4

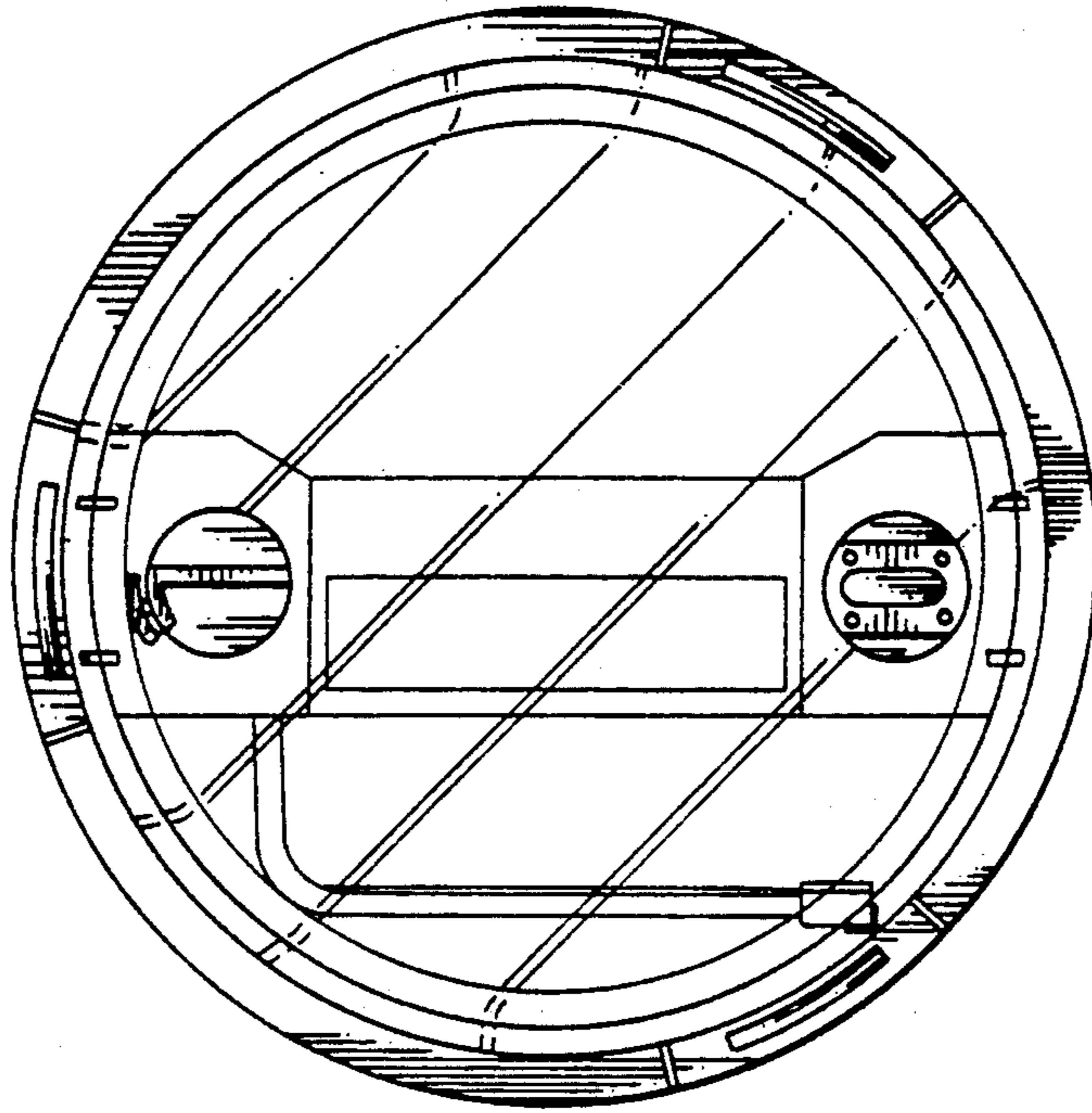


FIG.—5

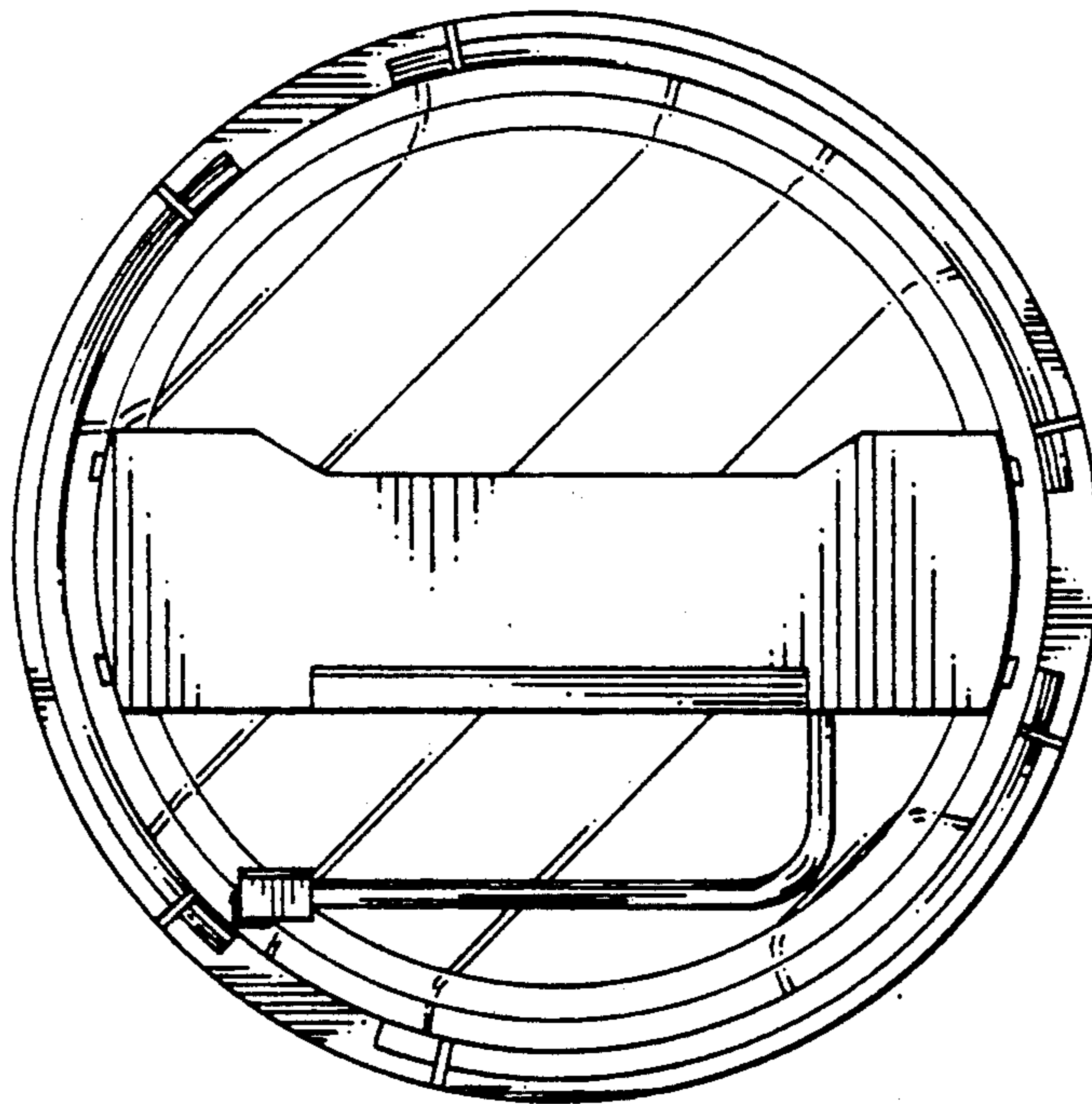


FIG.—6

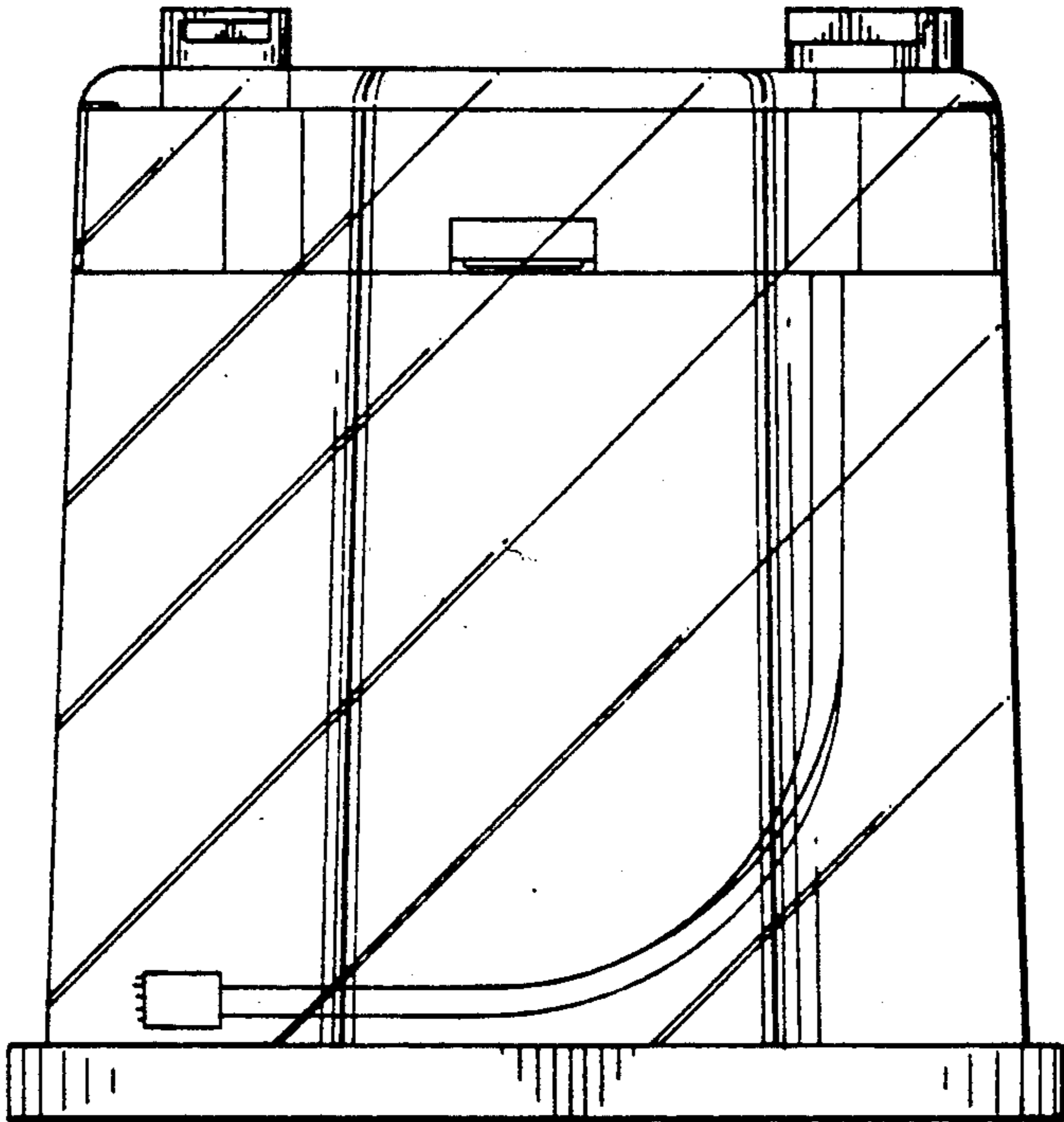


FIG.—7