

[54] COMBINATION SQUARE

[76] Inventors: Robert J. La Gesse; Lucille L. La Gesse, both of 510 Seventh St., Esther, Mo. 63601

[**] Term: 14 Years

[21] Appl. No.: 280,747

[22] Filed: Dec. 2, 1988

[52] U.S. Cl. D10/62; D10/65

[58] Field of Search D10/61, 62, 63, 65, D10/69; 33/340, 341, 42729011157, 465, 464, 469, 470, 471, 472, 473

[56] References Cited

U.S. PATENT DOCUMENTS

29,875	12/1898	Sawyer	D10/62
D. 195,356	6/1963	Keszler	D10/62
D. 233,695	11/1974	Payne	D10/62
D. 276,316	11/1984	Weeks	D10/62
1,245,130	10/1917	Somers	33/427 X
1,324,963	12/1919	Hayes	33/427
1,690,919	11/1928	Baine	33/427
2,122,875	7/1938	Witchger	33/427 X
2,198,948	4/1940	Park	33/98
2,448,440	8/1948	King	33/427
2,699,609	1/1955	Evans	33/97

2,733,517	2/1956	Gjersoe	33/427 X
2,797,491	7/1957	Asperger	33/427
2,926,706	2/1960	Hopla	143/6
3,313,027	4/1967	Blackwood	33/105
3,533,165	10/1970	Larsen	33/427
4,200,984	5/1980	Fink	33/427 X
4,729,173	3/1988	Wilson	33/451

OTHER PUBLICATIONS

Stanley Cat., "Best", Squares, Aug. 1970, p. 90.

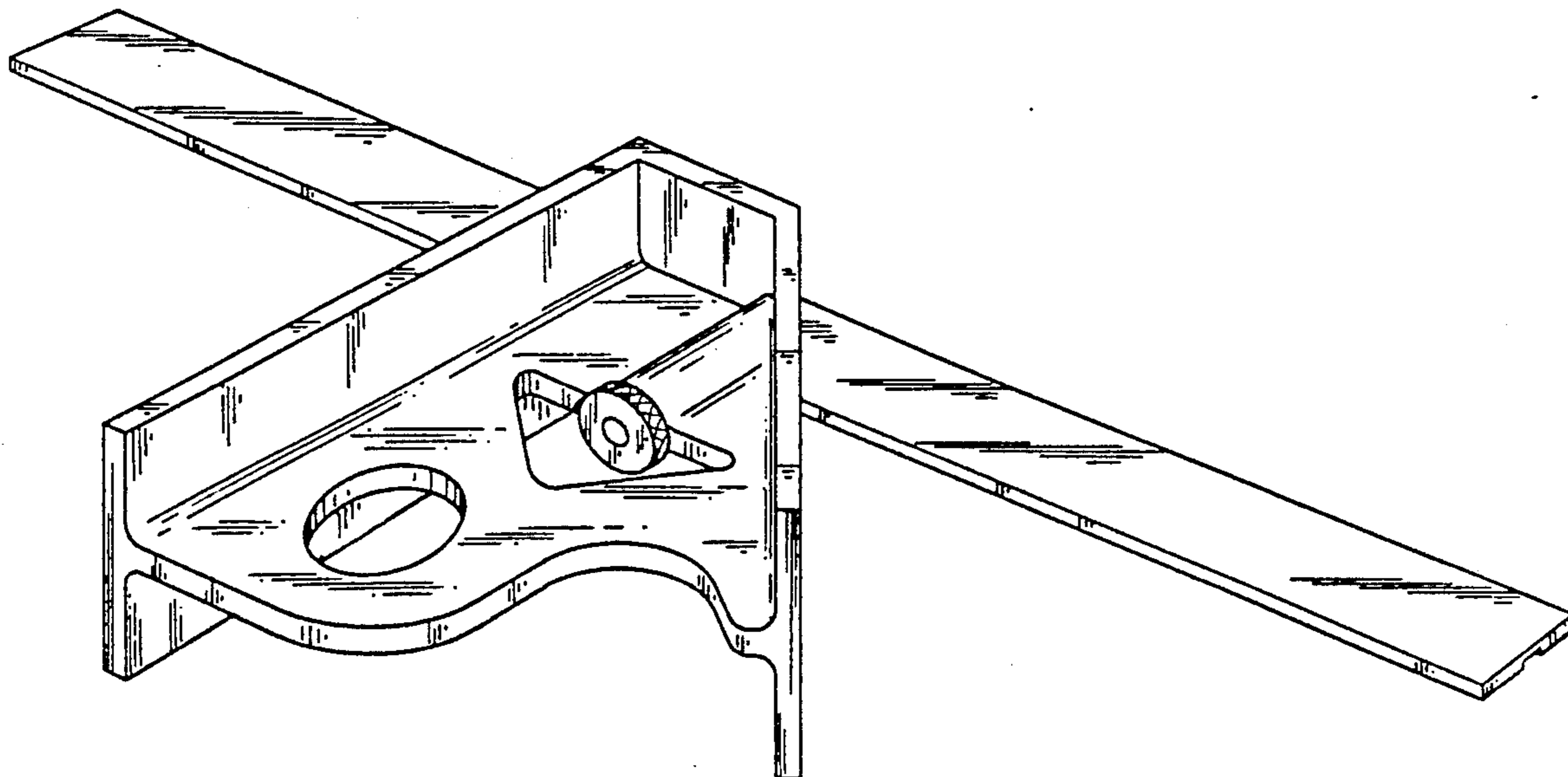
Primary Examiner—Nelson C. Holtje
 Assistant Examiner—Antoine D. Davis
 Attorney, Agent, or Firm—David L. Baker; Lewis E. Massie

[57] CLAIM

The ornamental design for a combination square, as shown and described.

DESCRIPTION

FIG. 1 is a left side rear and top perspective view of a continuation square showing my new design on an enlarged scale;
 FIG. 2 is a right side elevational view;
 FIG. 3 is a bottom plan view;
 FIG. 4 is a rear elevational view;
 FIG. 5 is a top plan; and
 FIG. 6 is a front elevational view thereof.



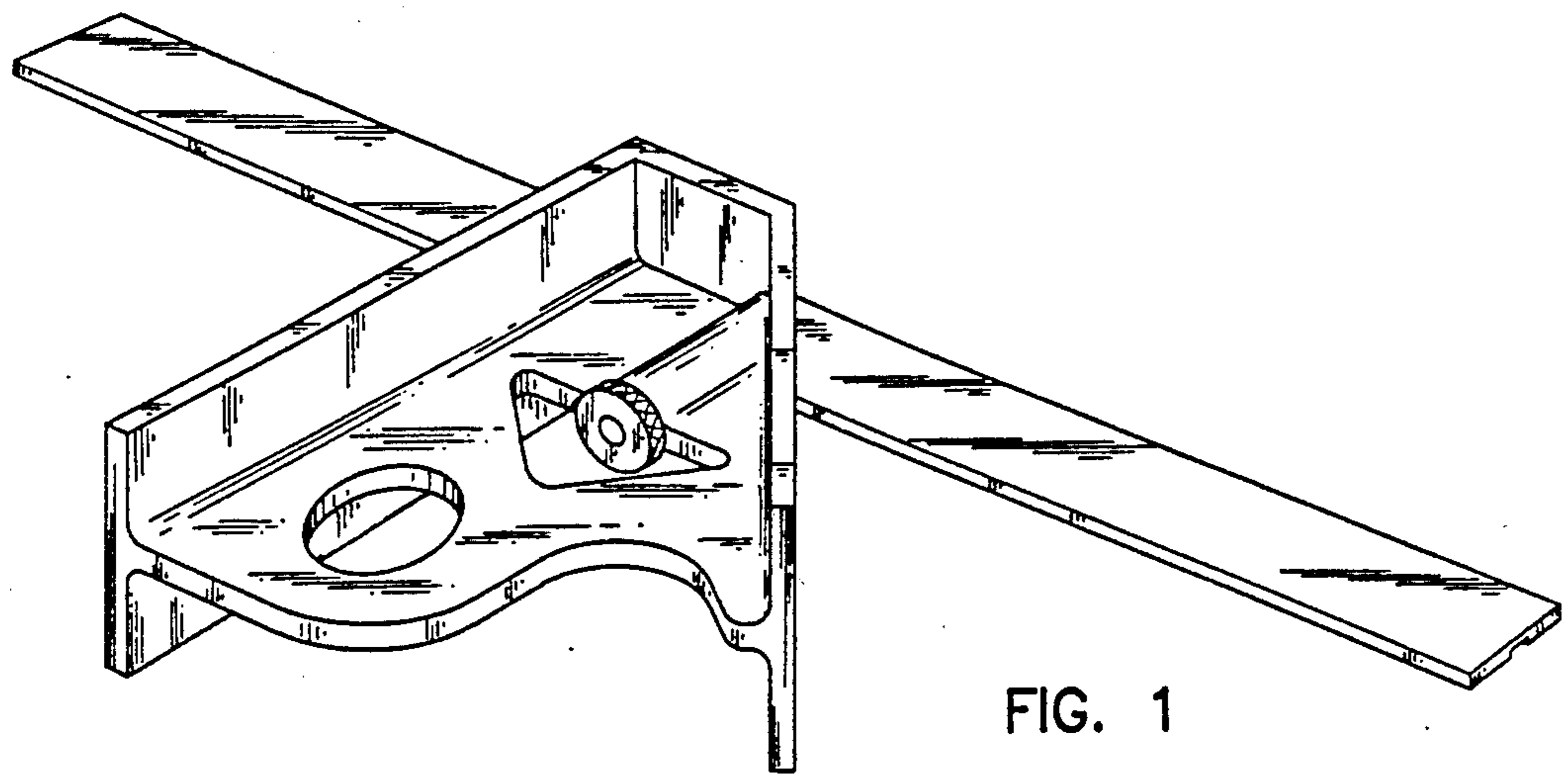


FIG. 1

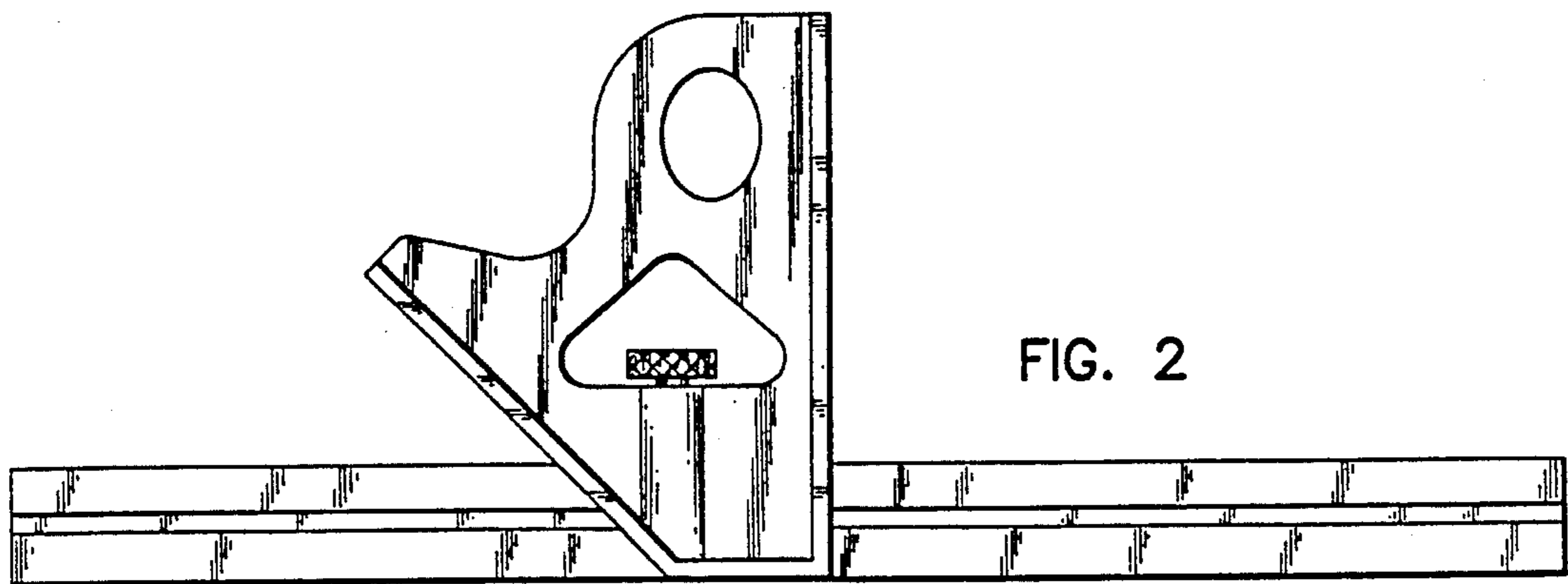


FIG. 2

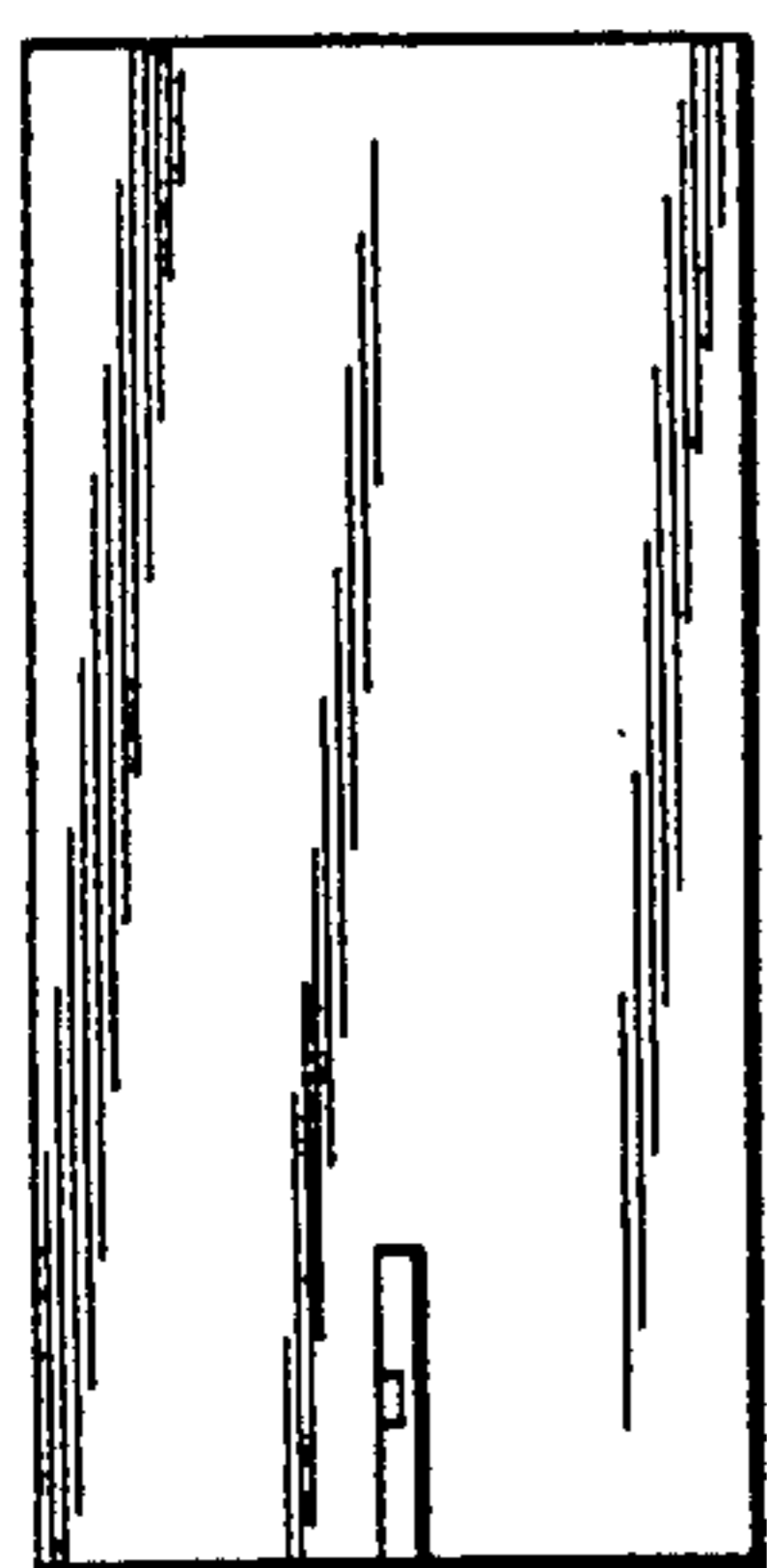


FIG. 3

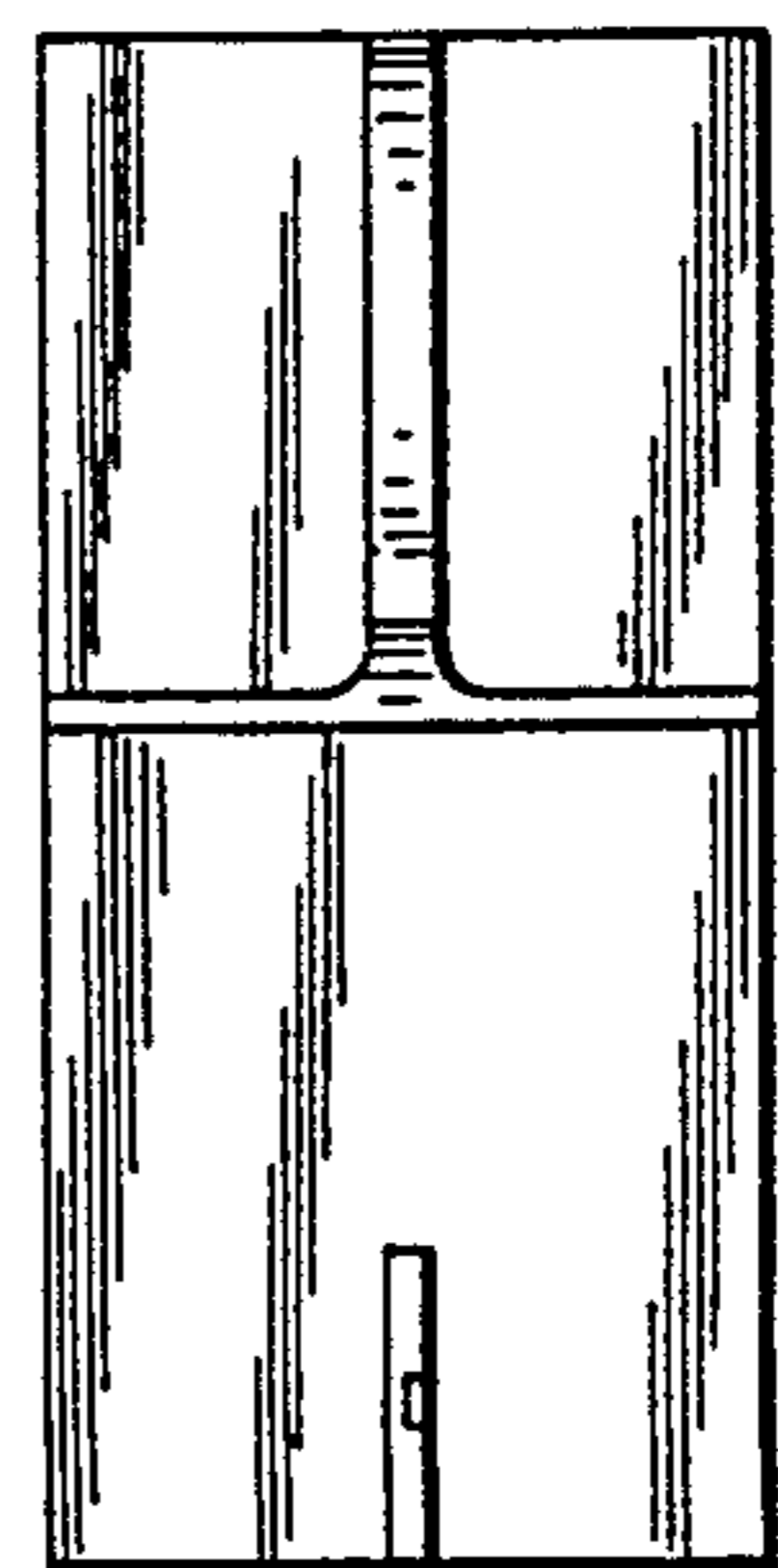


FIG. 5

FIG. 4

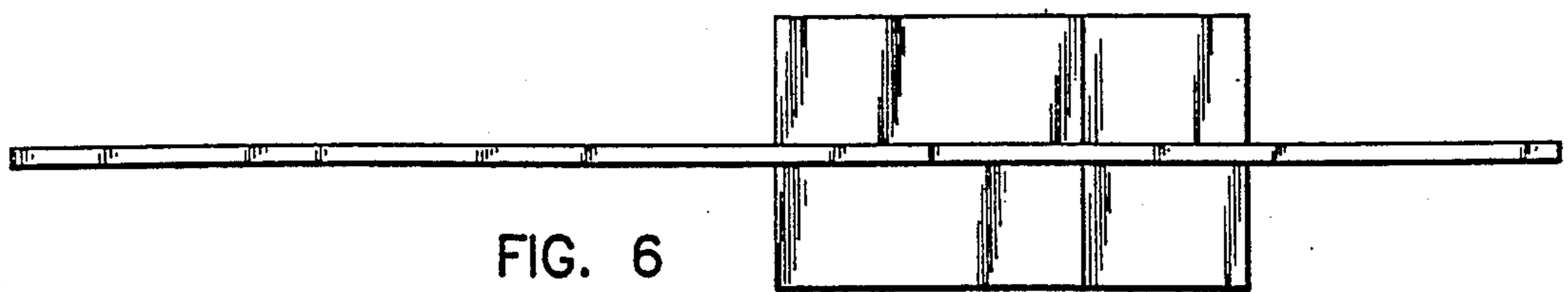
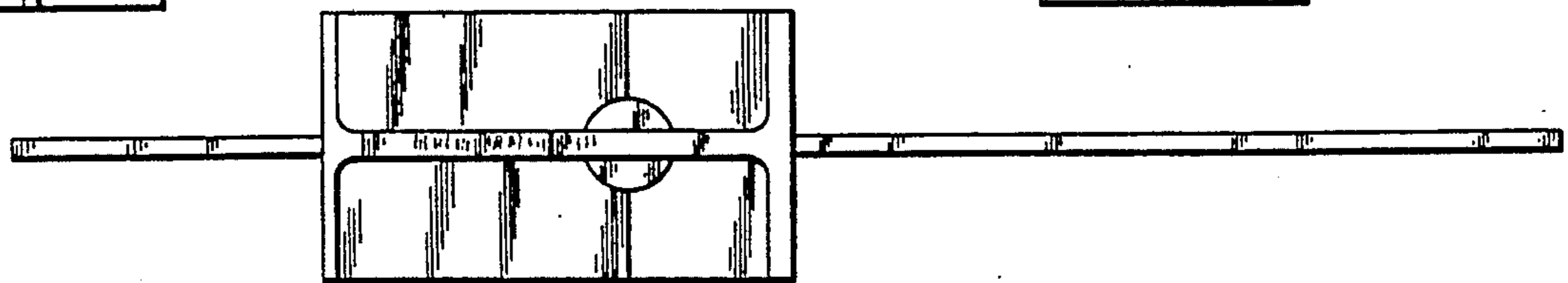


FIG. 6