

[54] DESK CLOCK

2,858,662 11/1958 Ditesheim 368/276

[75] Inventors: Peter V. Ilaria, East Hanover;
William Macowski, Caldwell, both of
N.J.

[73] Assignee: Tropar Manufacturing Co., Inc.,
Florham Park, N.J.

[**] Term: 14 Years

[21] Appl. No.: 155,745

[22] Filed: Feb. 16, 1988

[52] U.S. Cl. D10/26; D10/1;
D10/18

[58] Field of Search D10/1-39,
D10/122-132; 368/276-277, 280-285, 316

[56] References Cited

U.S. PATENT DOCUMENTS

900,317 10/1908 Slattery 206/18 X

OTHER PUBLICATIONS

Merchandising, Sep. 1979—p. 48—clock at bottom-
right.

Primary Examiner—Nelson C. Holtje
Attorney, Agent, or Firm—Gottlieb, Rackman &
Reisman

[57] CLAIM

The ornamental design for a desk clock, as shown and
described.

DESCRIPTION

FIG. 1 is a front elevational view of a desk clock show-
ing our new design;
FIG. 2 is a rear elevational view thereof;
FIG. 3 is a top plan view thereof;
FIG. 4 is a left side elevational view thereof, the right
side being a mirror image thereof;
FIG. 5 is a bottom plan view thereof; and
FIG. 6 is a top and left front perspective view thereof.

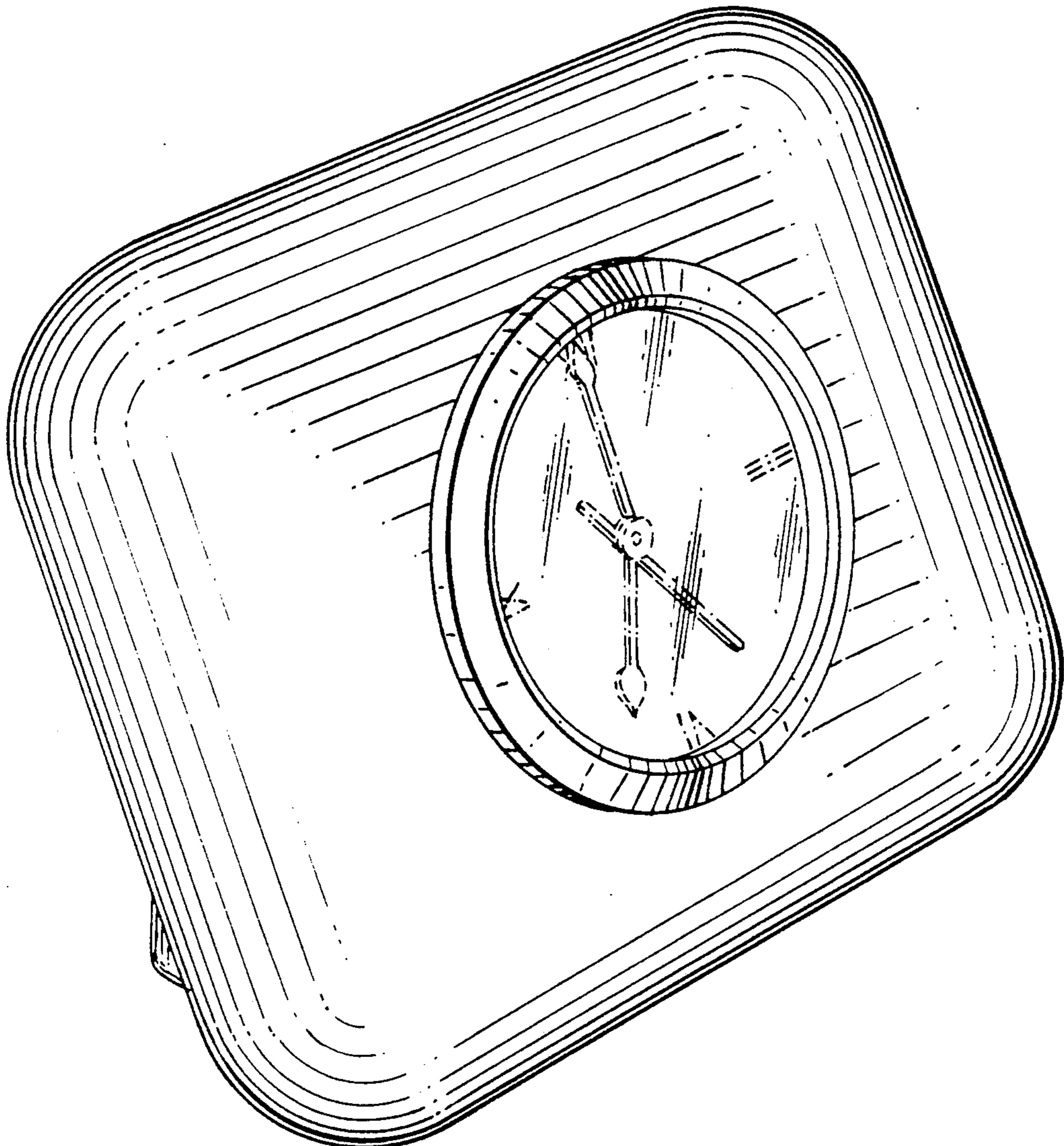


FIG. 1

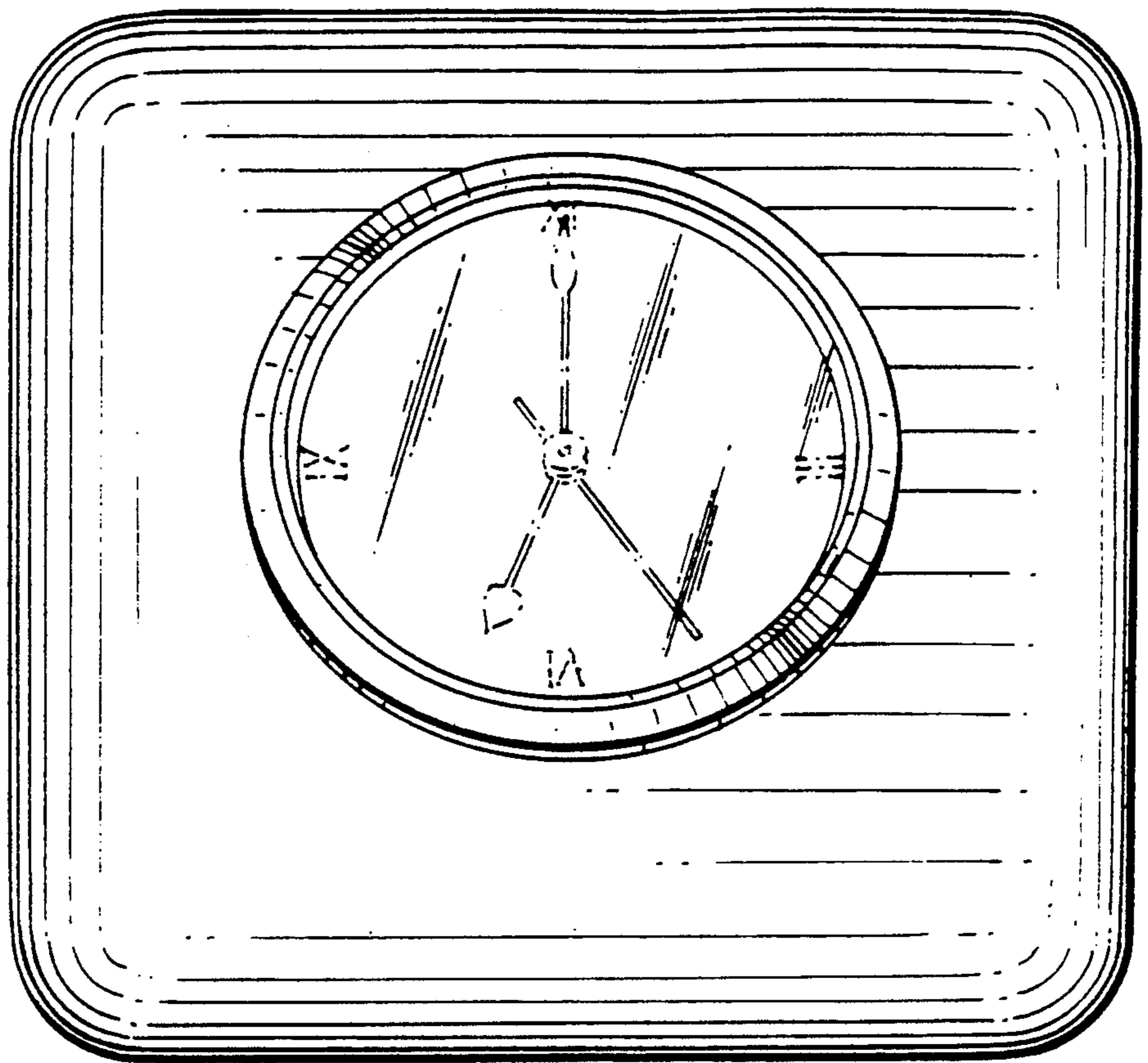


FIG. 2

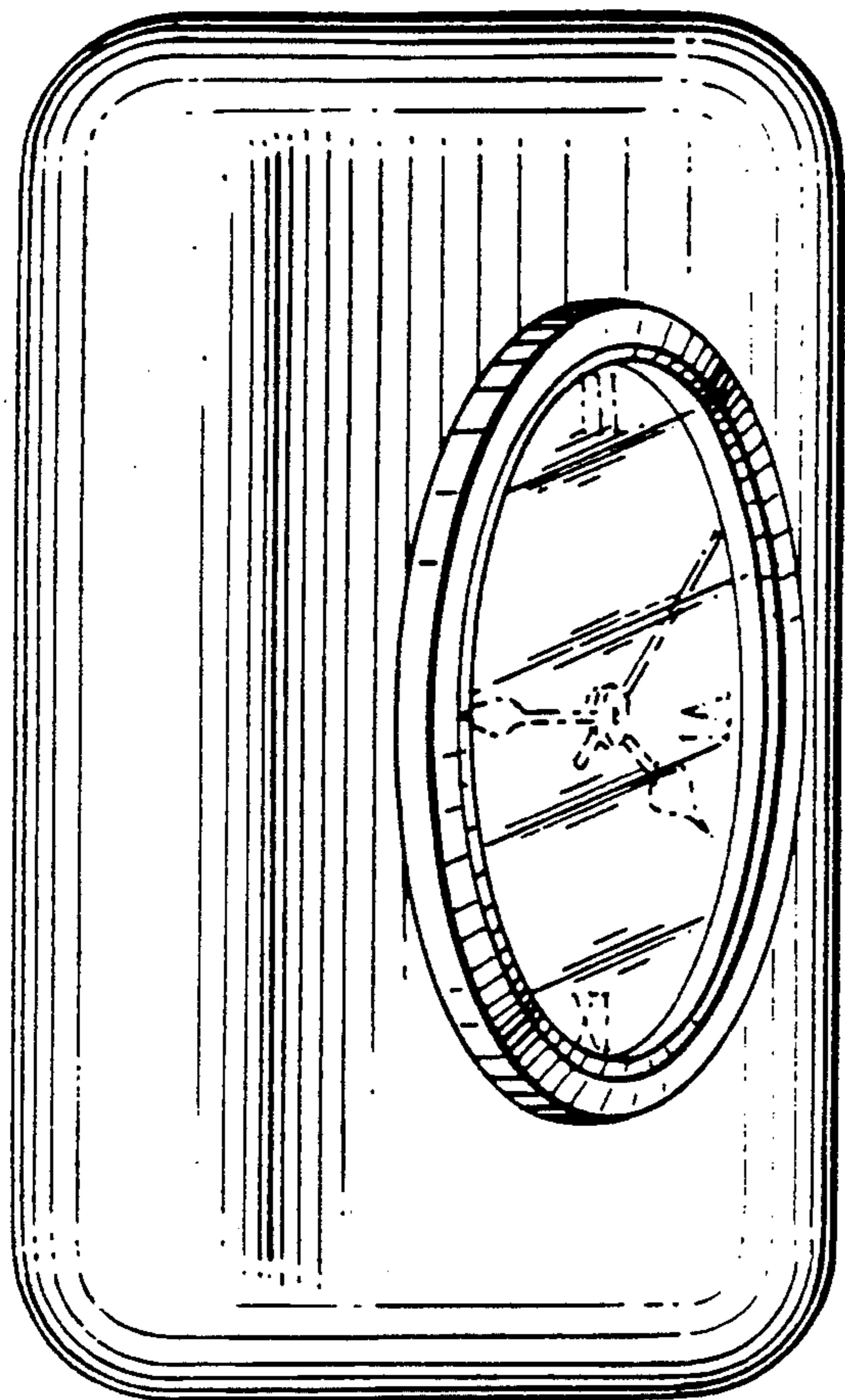


FIG. 3

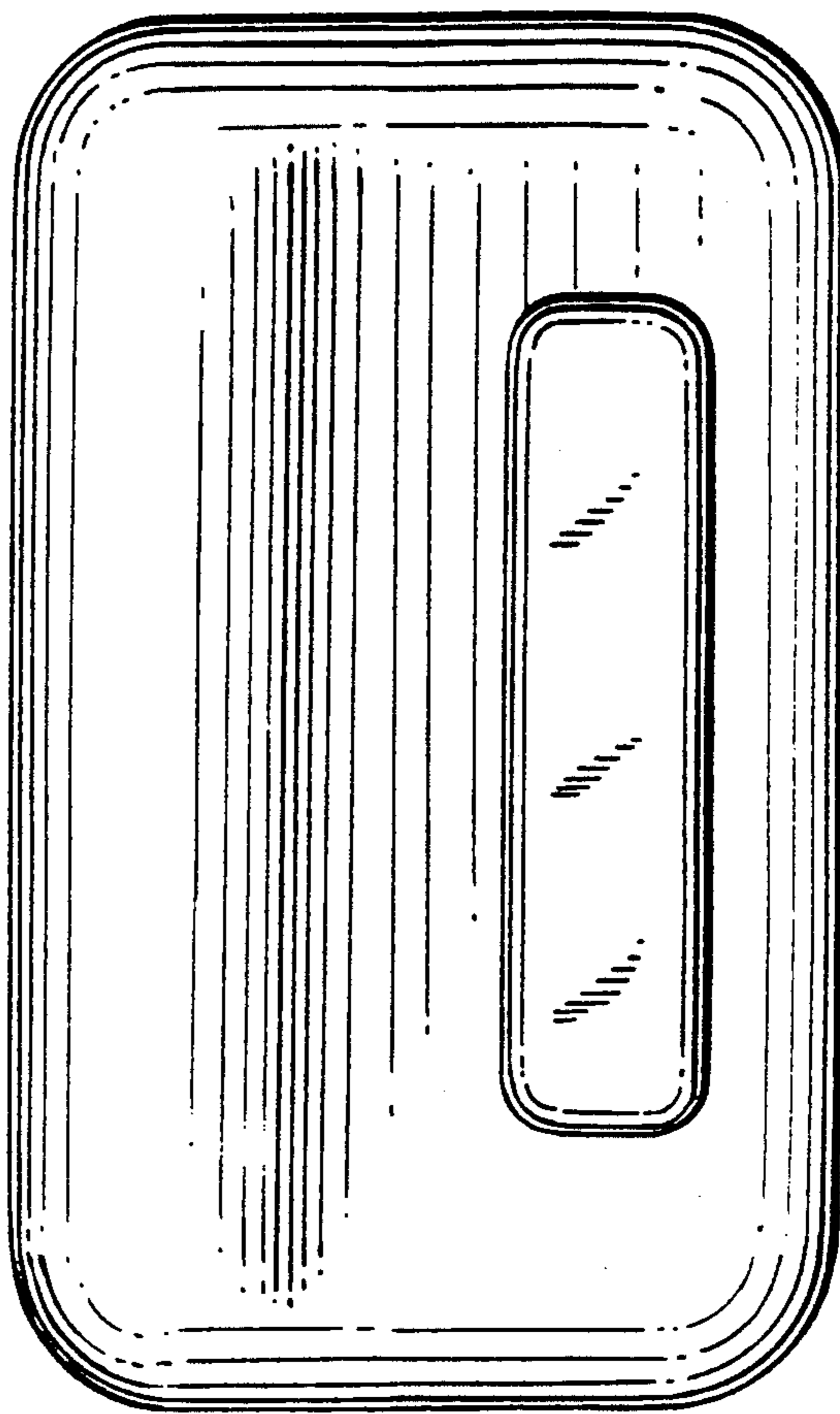


FIG. 5

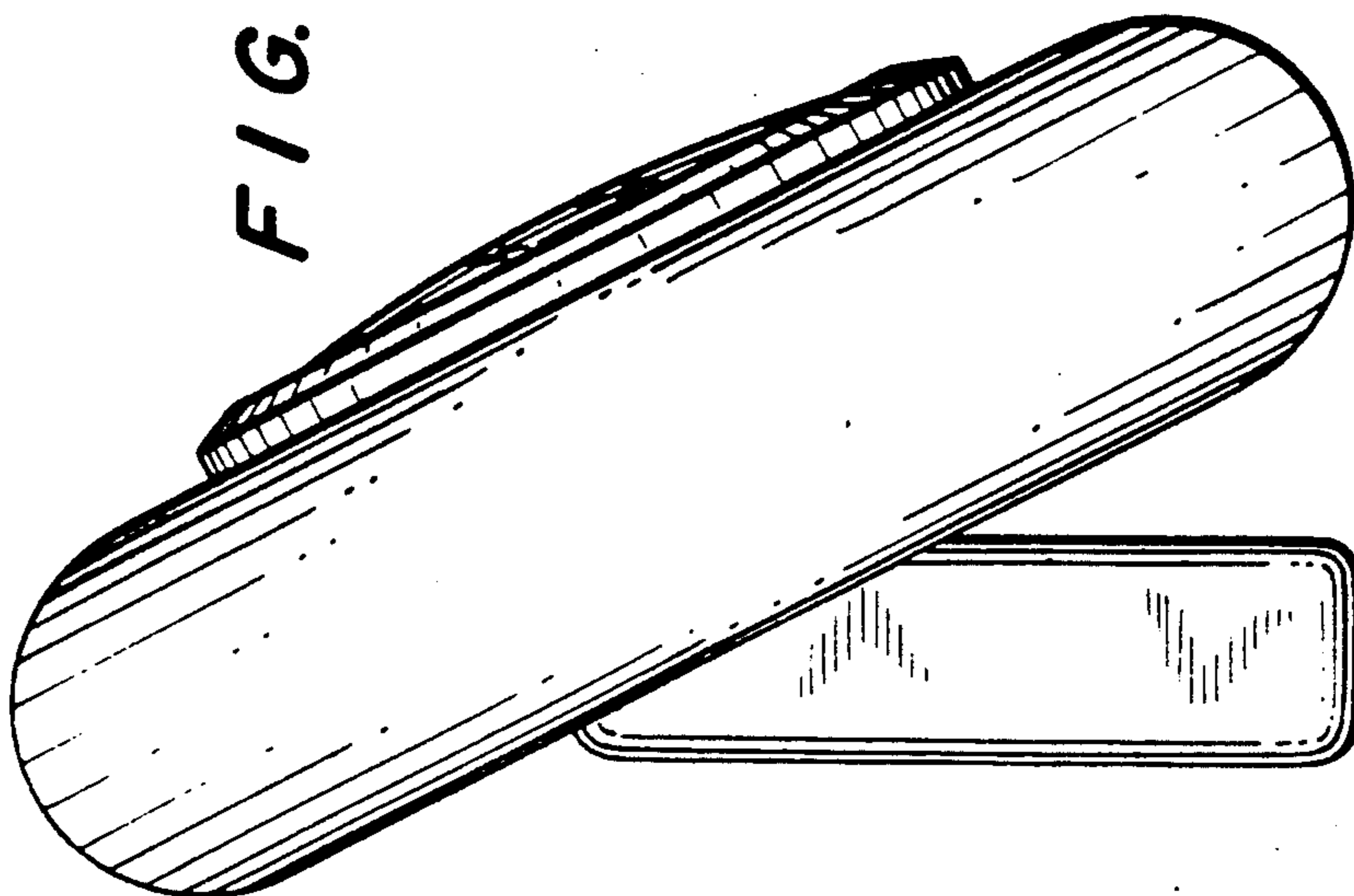


FIG. 4

FIG. 6

