

[54] **CLOCK HOUSING**

[75] **Inventors:** Saskia H. P. M. Dingelstad, Breda;  
Maarten W. van Lelyveld, Drachten,  
both of Netherlands

[73] **Assignee:** U.S. Philips Corporation, New York,  
N.Y.

[\*\*] **Term:** 14 Years

[21] **Appl. No.:** 386,462

[22] **Filed:** Jul. 18, 1989

[30] **Foreign Application Priority Data**

Jan. 30, 1989 [WO] World Int. Prop. O. ... DM/012.708

[52] **U.S. Cl.** ..... D10/1; D10/22

[58] **Field of Search** ..... D10/1-40,  
D10/122-132; D15/139; 368/276-277,  
280-282, 285; D28/78, 91; D9/418, 430, 414

[56]

**References Cited**

**U.S. PATENT DOCUMENTS**

D. 100,795 8/1936 Saban ..... D9/414  
D. 124,321 12/1940 McIntosh ..... D28/91 X  
D. 168,329 12/1952 Blum ..... D10/72  
D. 231,485 4/1974 Albrecht ..... D10/72  
D. 309,573 7/1990 Hirota ..... D10/18

**OTHER PUBLICATIONS**

*Home Furnishing Daily*—Mar. 3, 1987, p. 116—Clocks  
at top and bottom.

*Primary Examiner*—Nelson C. Holtje

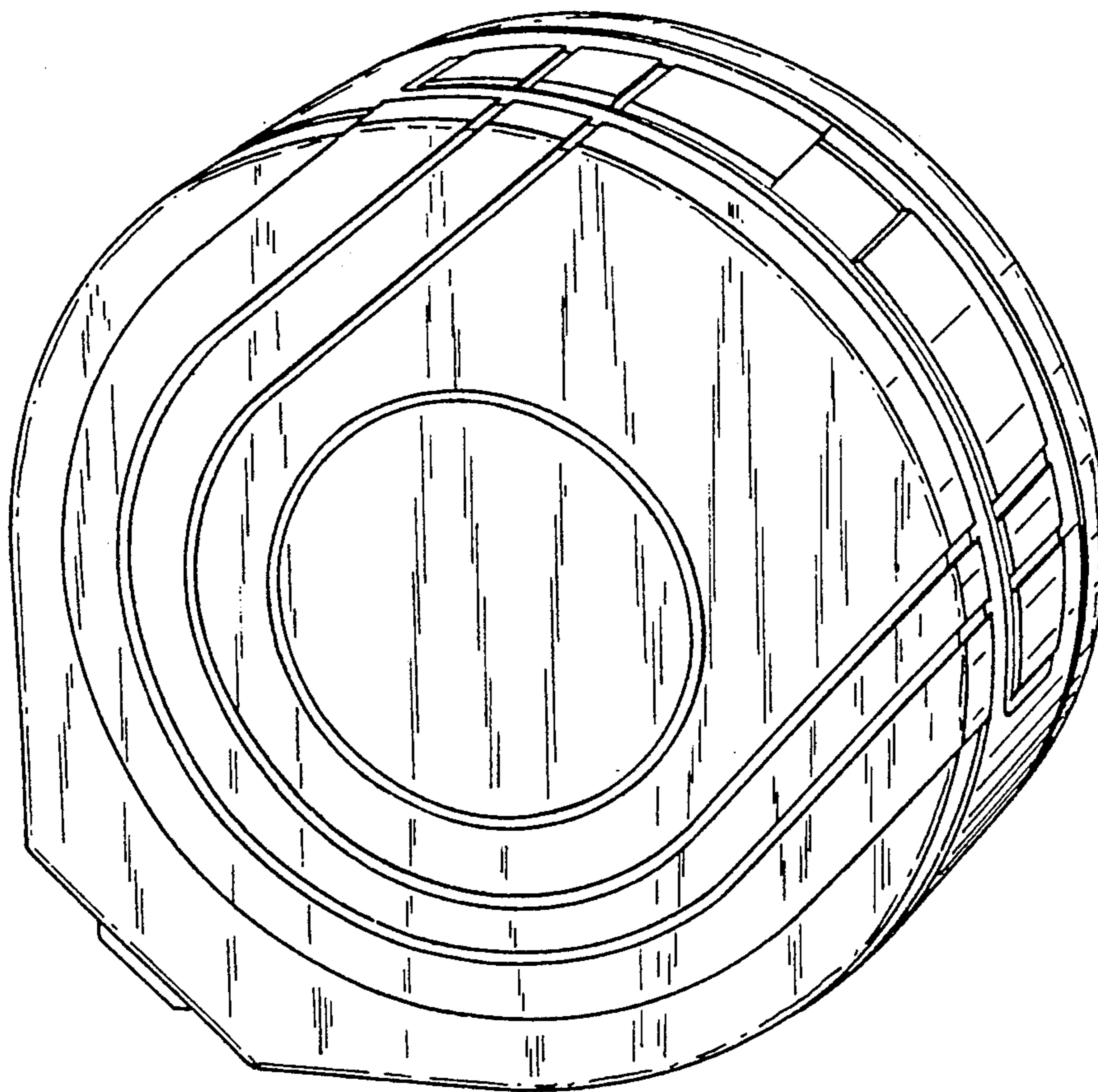
[57]

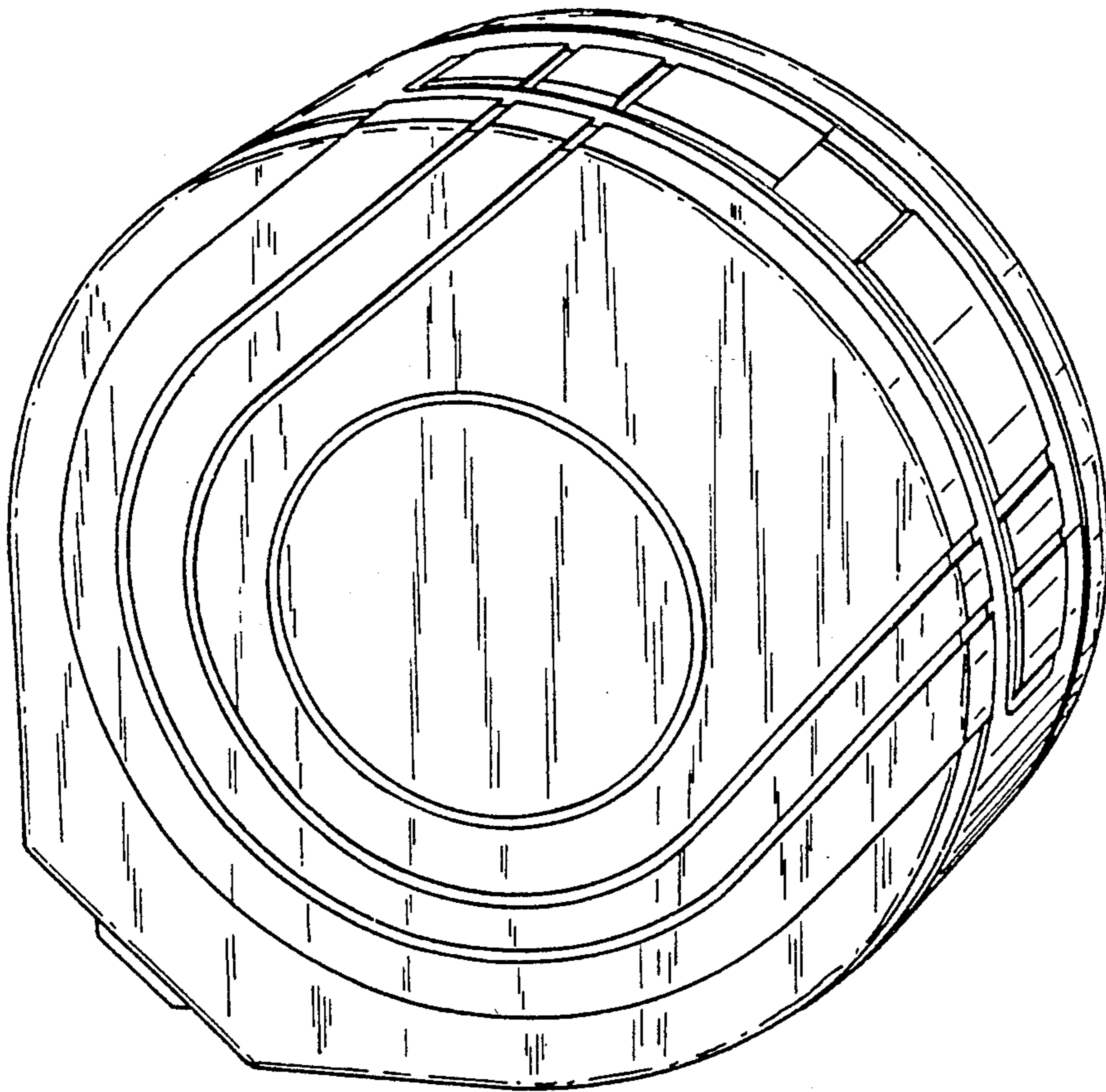
**CLAIM**

The ornamental design for a clock housing, as shown.

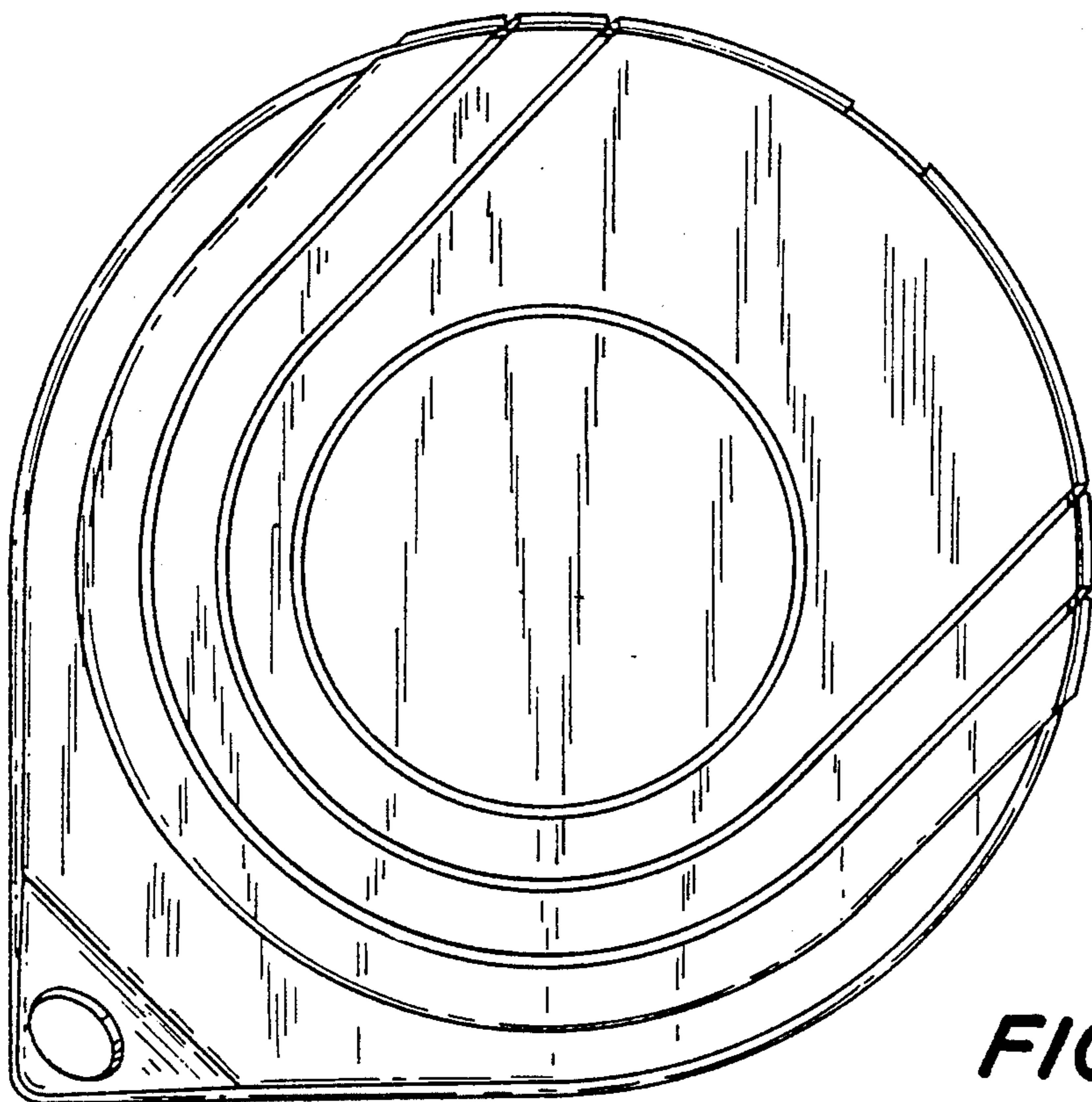
**DESCRIPTION**

FIG. 1 is a front and top-right perspective view of a  
clock housing showing our new design;  
FIG. 2 is a front elevational view thereof;  
FIG. 3 is a rear elevational view thereof;  
FIG. 4 is a right side elevational view thereof;  
FIG. 5 is a left side elevational view thereof;  
FIG. 6 is a top plan view thereof;  
FIG. 7 is a bottom plan view thereof.

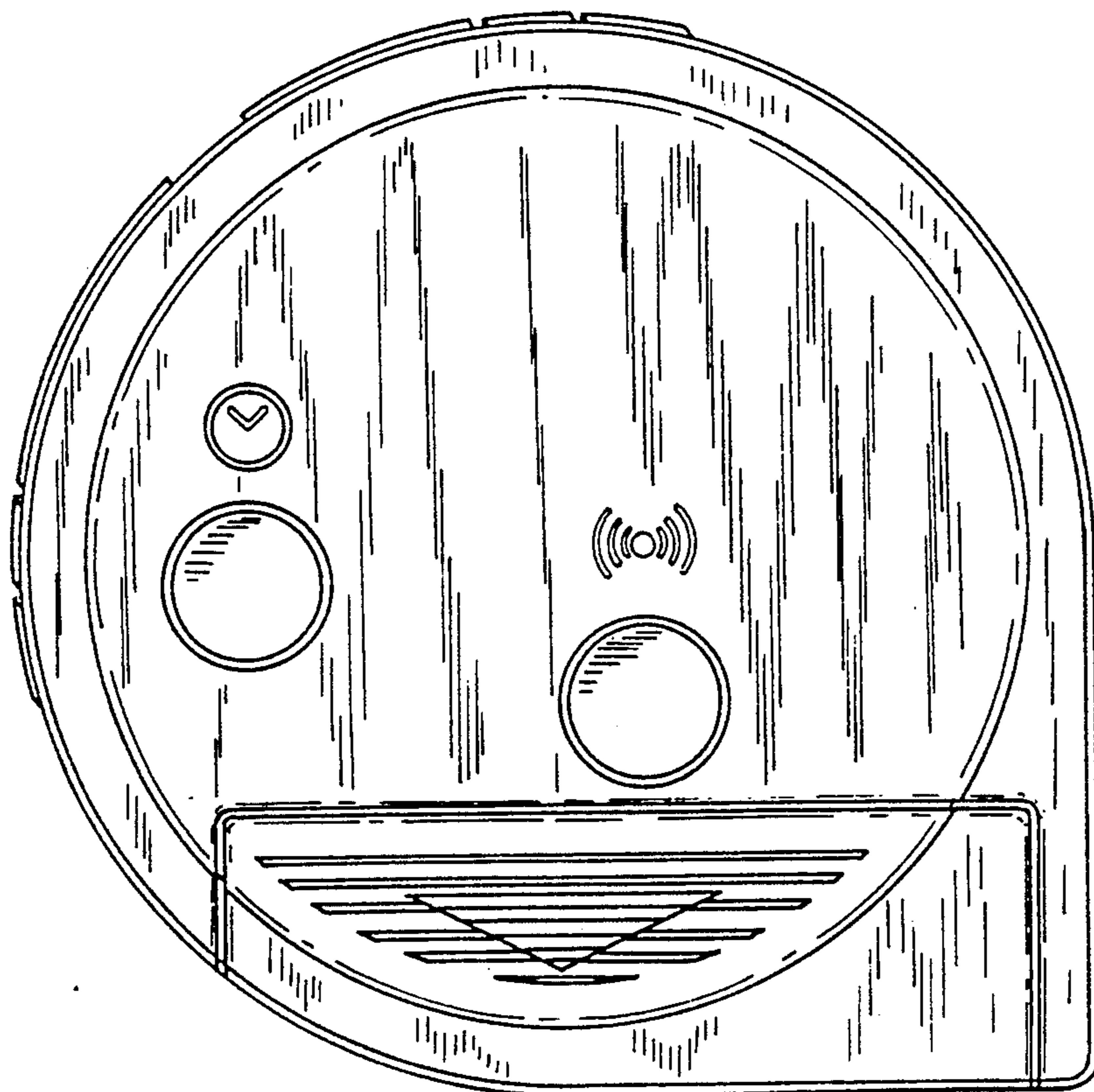




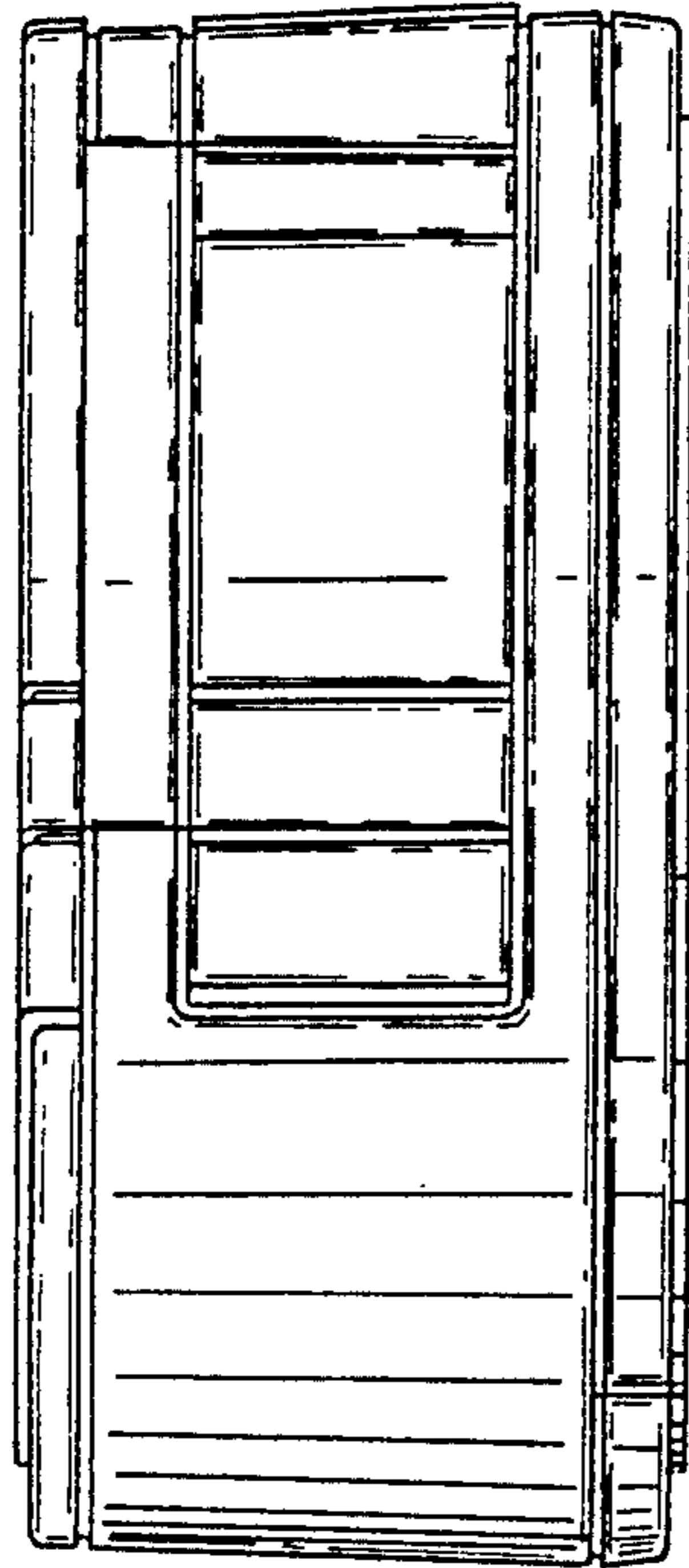
**FIG. 1**



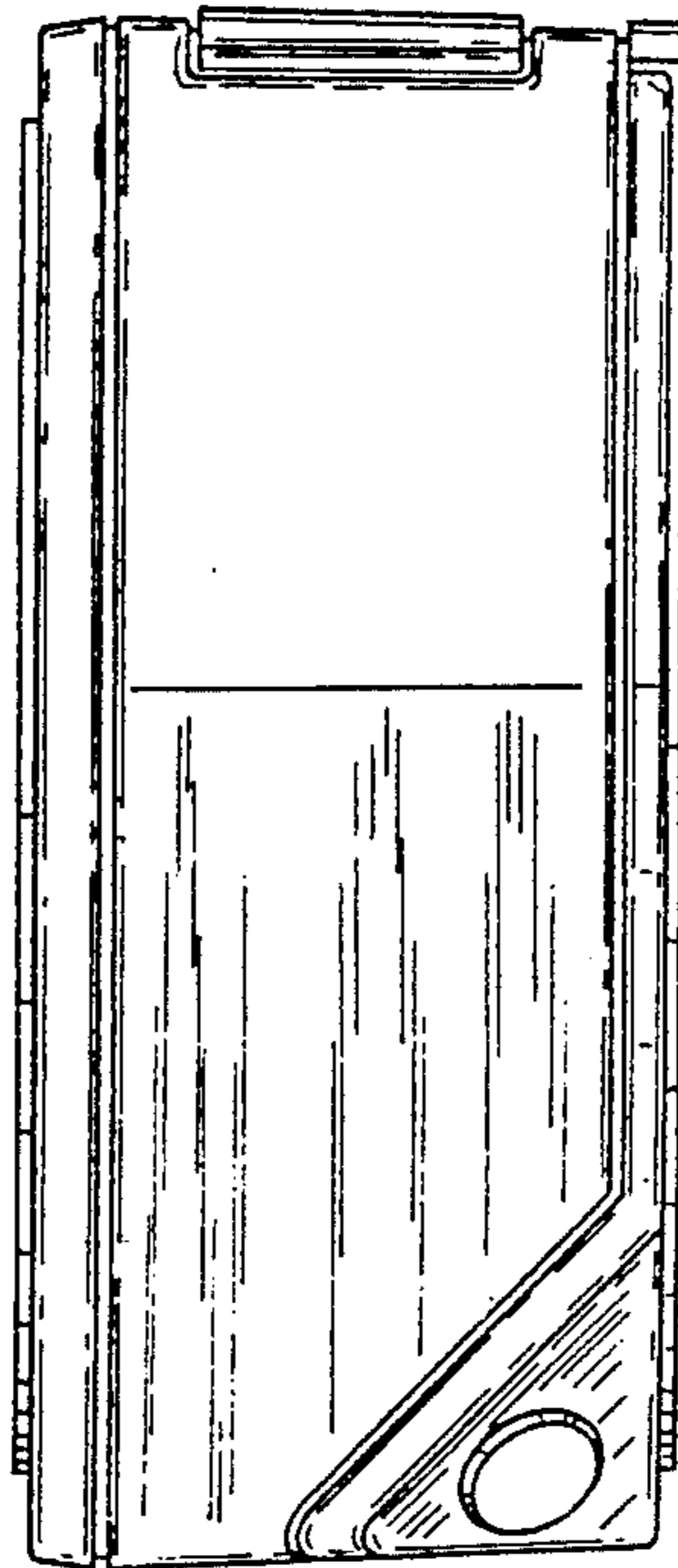
**FIG. 2**



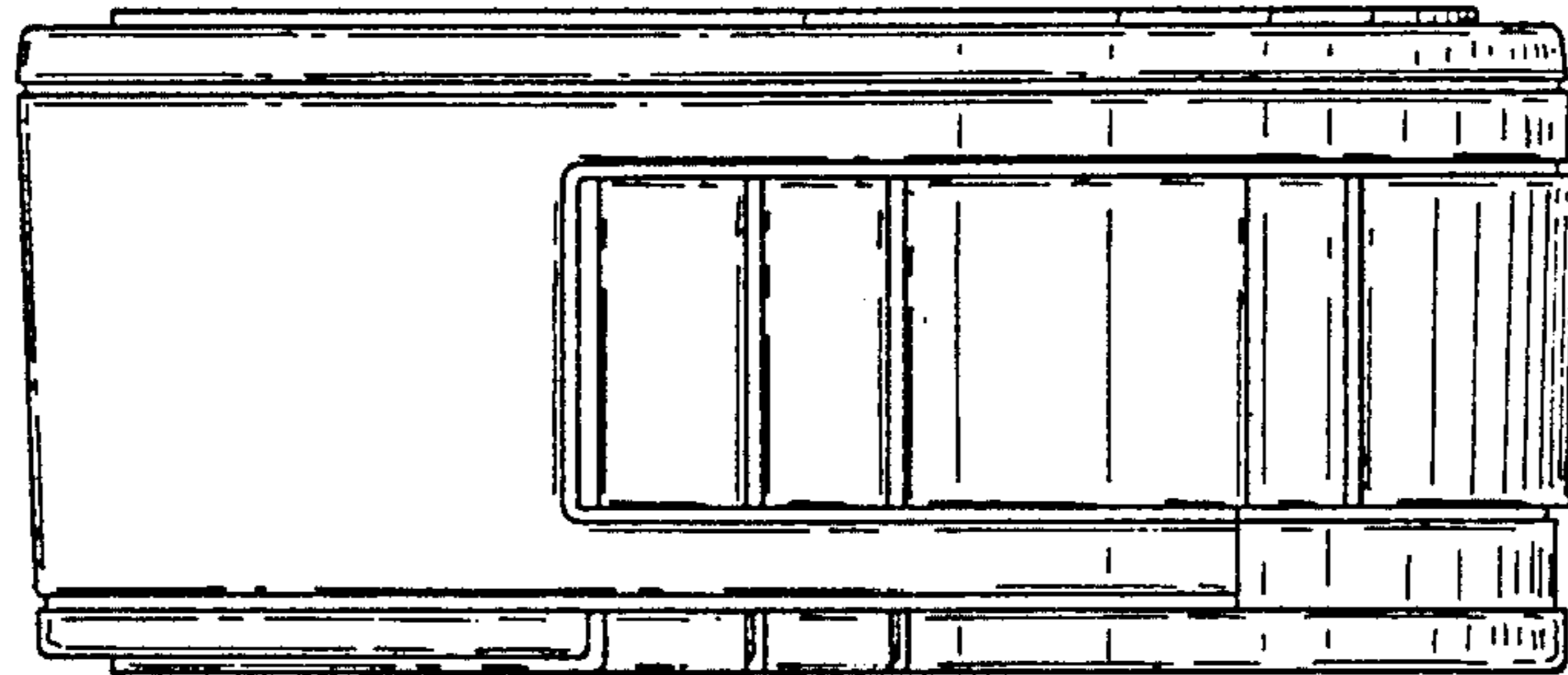
**FIG. 3**



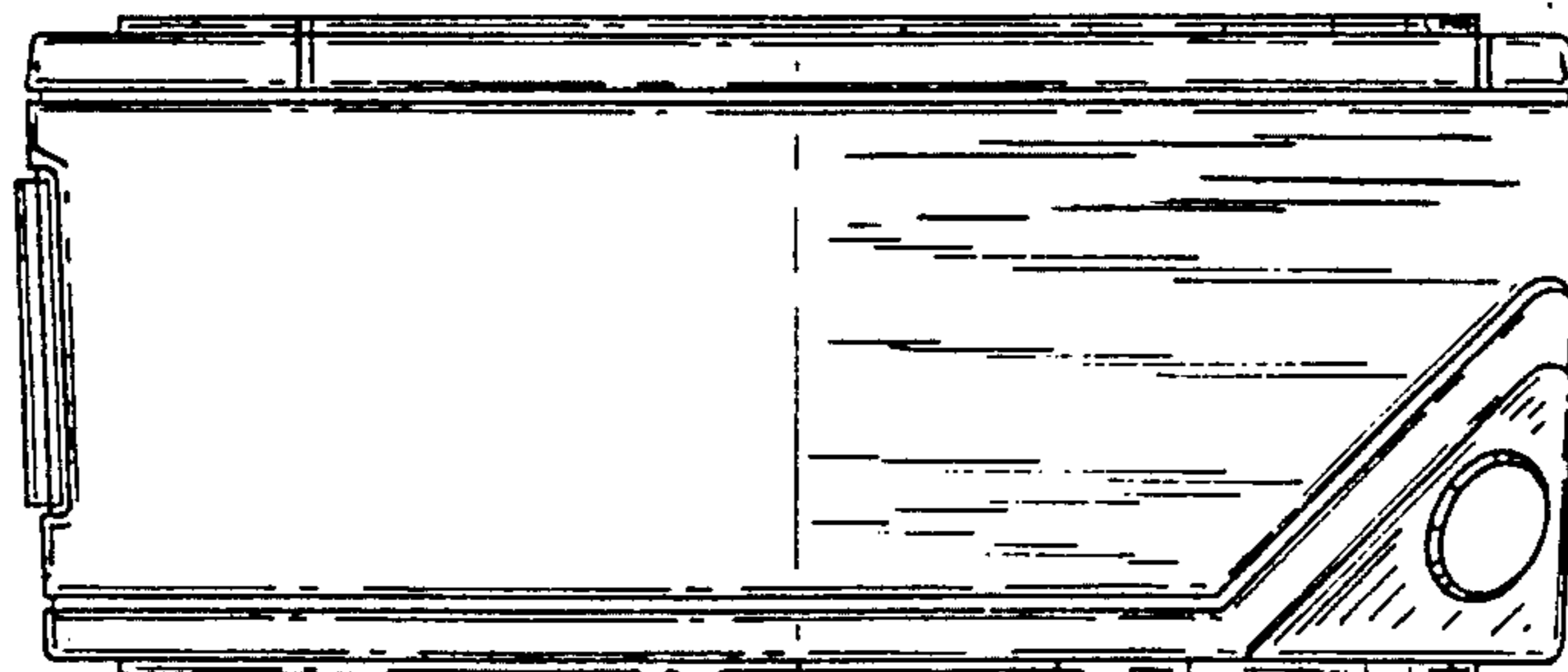
**FIG. 4**



**FIG. 5**



**FIG. 6**



**FIG. 7**