

[54] COMBINED SPOUT, CLOSURE AND HANDLE

[75] Inventor: Héctor Fabiano, Buenos Aires, Argentina

[73] Assignee: Weland S.A.I.C.I.A.F., Buenos Aires, Argentina

[**] Term: 14 Years

[21] Appl. No.: 437,917

[22] Filed: Nov. 16, 1989

[30] Foreign Application Priority Data

May 17, 1989 [AR] Argentina 055.018
[52] U.S. Cl. D9/447; D9/434; D9/435; D9/443
[58] Field of Search D9/434, 435, 443, 455, D9/447; D7/322, 393, 398, 622; 222/465.1, 466, 468-475.1; 220/94 R

[56] References Cited

U.S. PATENT DOCUMENTS

D. 129,728	9/1941	Bernhardt	D9/447 X
D. 197,853	3/1964	Smith	D9/455 X
D. 209,485	12/1967	Müller	D9/443 X
D. 247,211	2/1978	Young	D9/443 X
3,191,819	6/1965	Smith	222/465.1
3,201,011	8/1965	Brocken	222/473
3,304,039	2/1967	Edelman et al.	D9/434 X
3,867,738	2/1975	Garner	D9/455 X

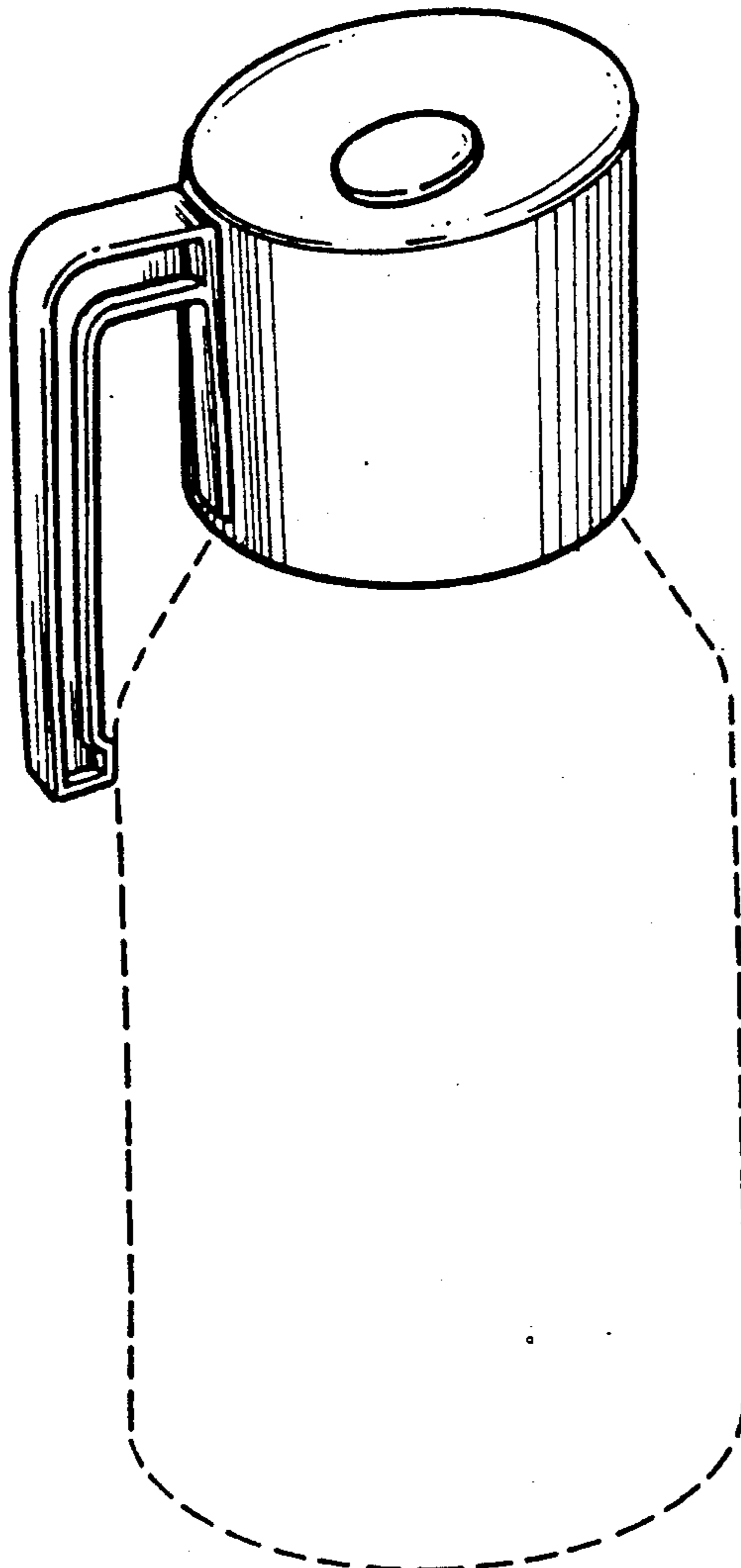
Primary Examiner—B. J. Bullock
Assistant Examiner—Dominic Simone
Attorney, Agent, or Firm—McGlew & Tuttle

[57] CLAIM

The ornamental design for a combined spout, closure and handle, as shown and described.

DESCRIPTION

FIG. 1 is a side perspective view of a combined spout, closure and handle showing my new design, the container shown in broken lines for illustrative purposes only;
FIG. 2 is an enlarged scale elevational view thereof;
FIG. 3 is an enlarged top plan view thereof.



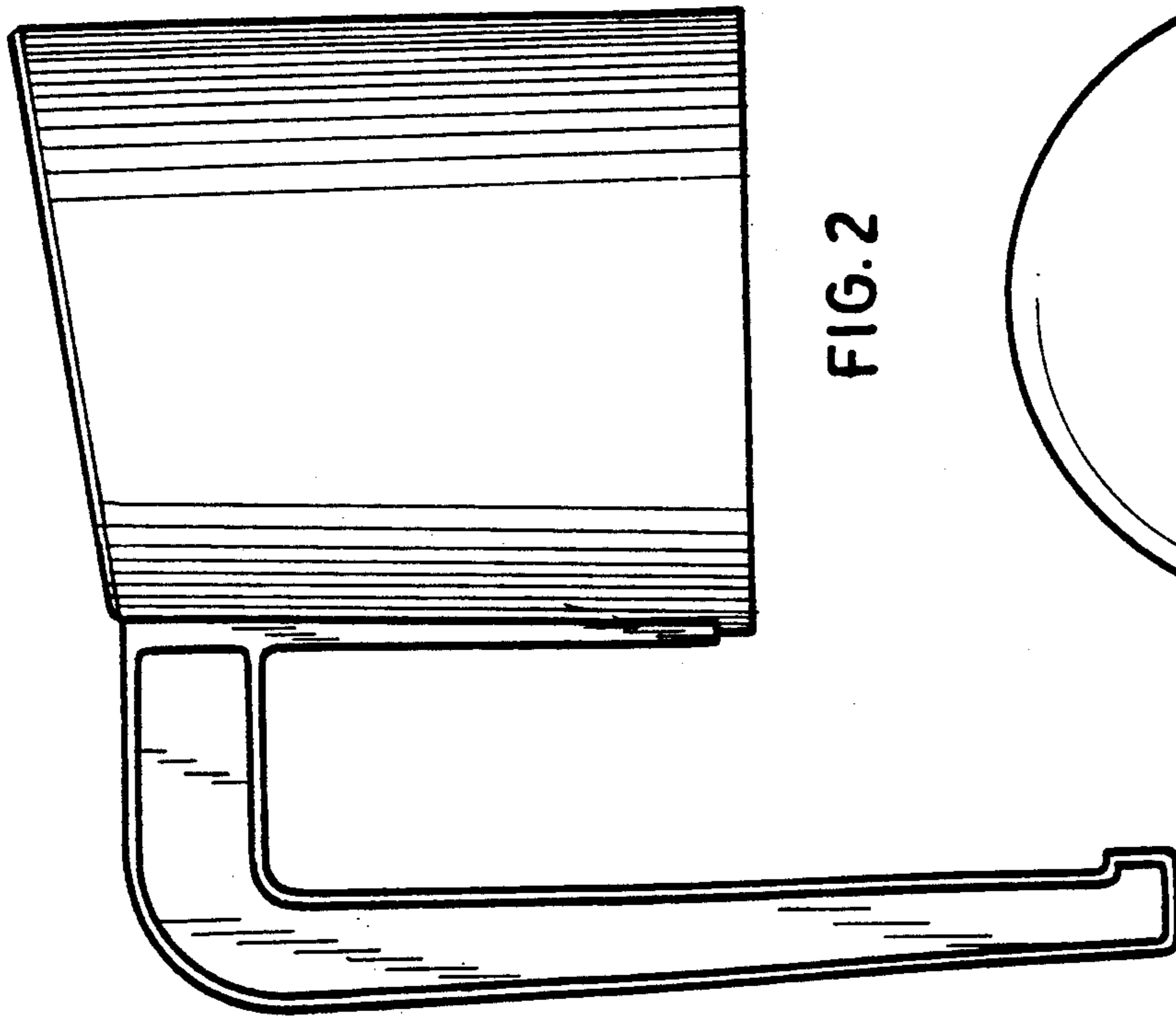


FIG. 2

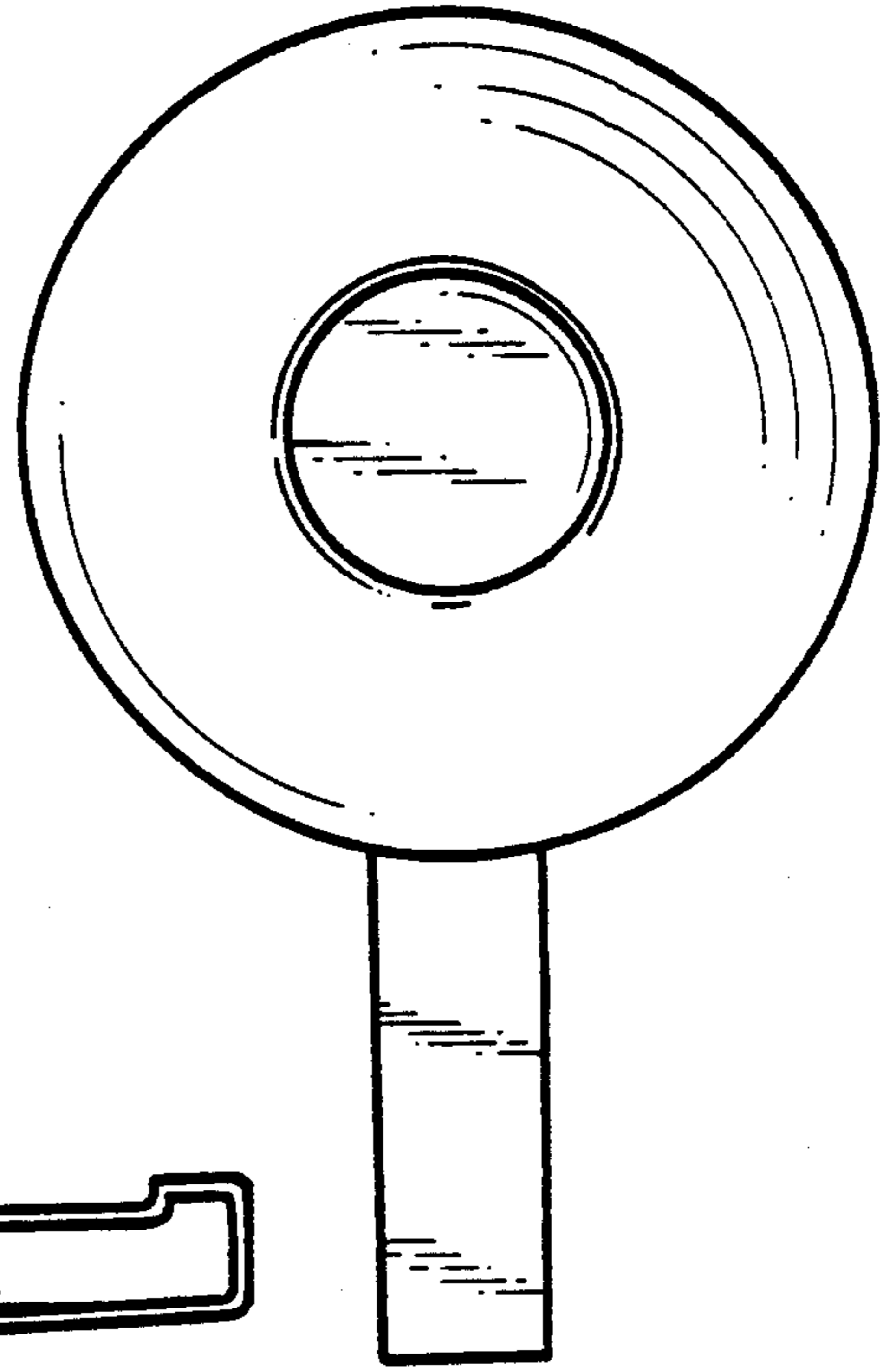


FIG. 3

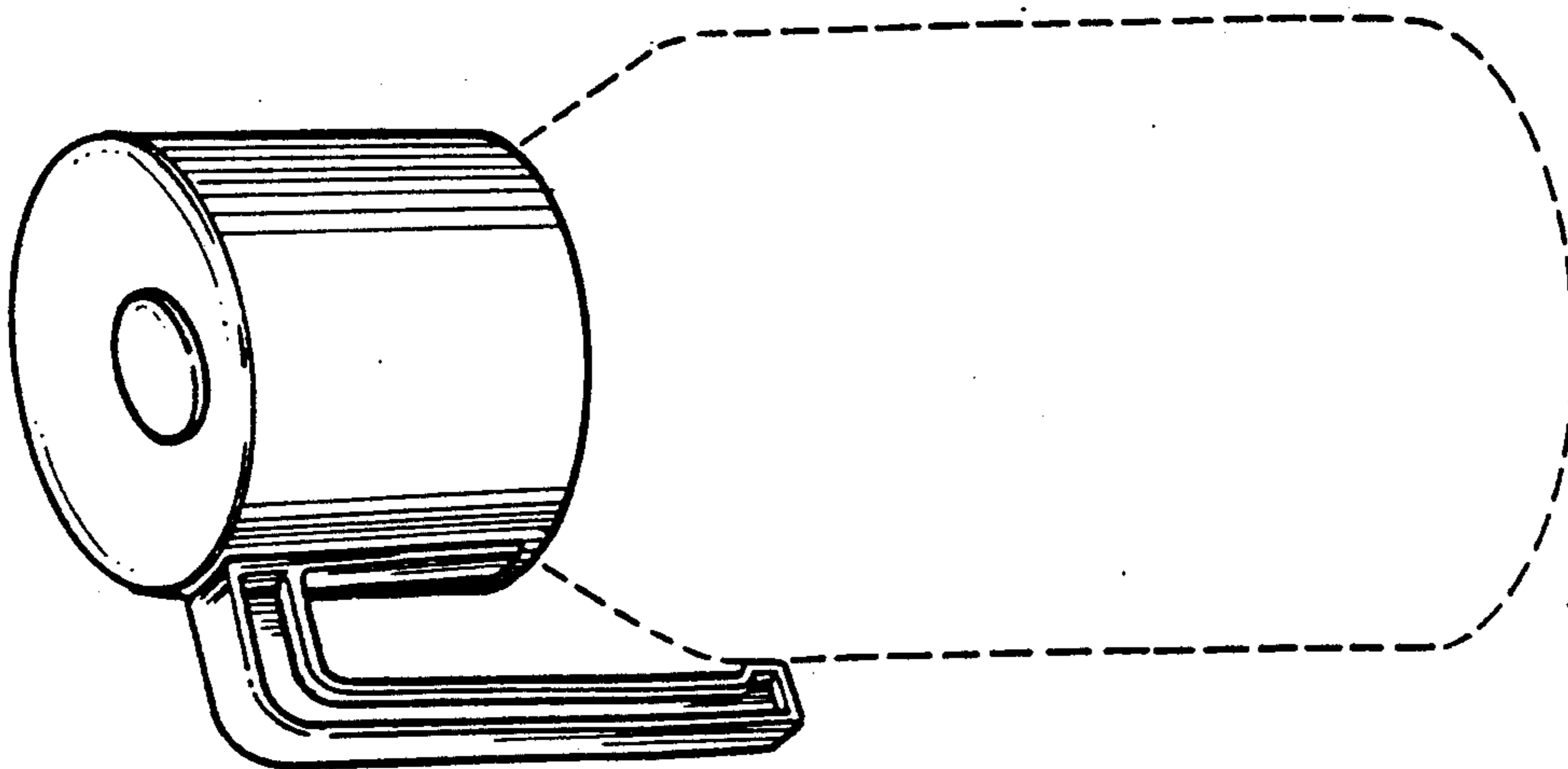


FIG. 1