

[54] LOCK BOX BUMPER

[75] Inventors: Devra A. Stinson; Patricia A. Bermes, both of Huntsville, Ala.

[73] Assignee: D & P Visions, Inc., Huntsville, Ala.

[**] Term: 14 Years

[21] Appl. No.: 324,591

[22] Filed: Mar. 16, 1989

[52] U.S. Cl. D8/402; D6/596

[58] Field of Search D8/400, 402, 499; D21/51, 108; D6/596, 601; 70/431, 447, 463, 466, 164, 430, 14, DIG. 43, DIG. 58, 51, 52, 54-56, DIG. 56

[56] References Cited

U.S. PATENT DOCUMENTS

1,662,612	3/1928	Junkunc	70/463
1,851,344	3/1932	Bauman	16/86 A
2,073,551	3/1937	Crasnoff	D21/51

2,140,239	12/1938	Lewis	16/86 R
3,171,820	3/1965	Volz	297/DIG. 1
3,952,560	4/1976	Lee	70/54
4,098,211	7/1978	Files	267/140

FOREIGN PATENT DOCUMENTS

1255361	12/1971	United Kingdom	70/54
---------	---------	----------------	-------

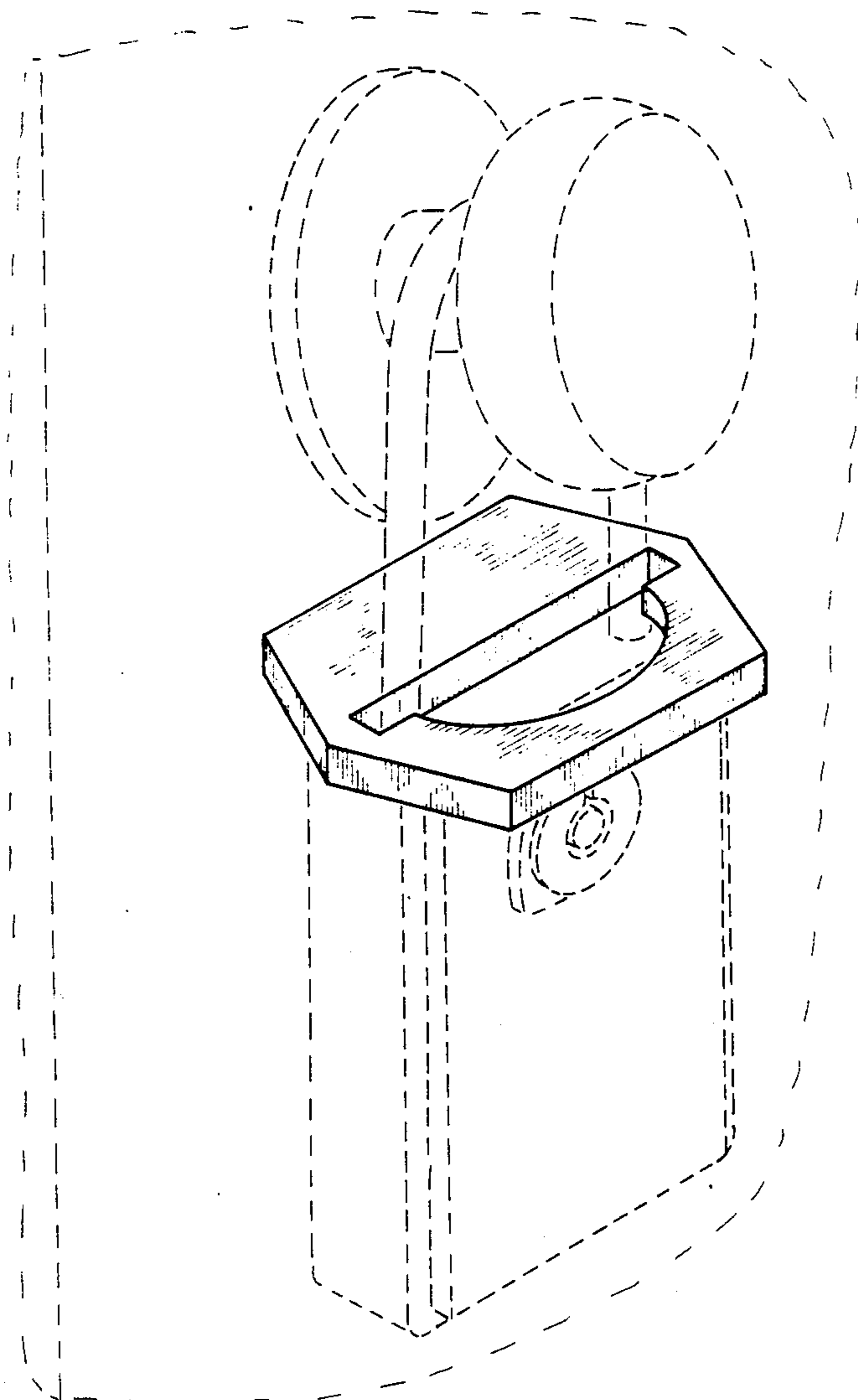
Primary Examiner—B. J. Bullock
Attorney, Agent, or Firm—Phillips & Beumer

[57] CLAIM

The ornamental design for a lock box bumper, as shown and described.

DESCRIPTION

FIG. 1 is a top, rear perspective view of a lock box bumper showing our new design; FIG. 2 is a top, front perspective view thereof; FIG. 3 is a bottom plan view thereof; FIG. 4 is a reduced perspective view thereof, the knob, a portion of a door, and the lock box being shown on broken lines for illustrative purposes only.



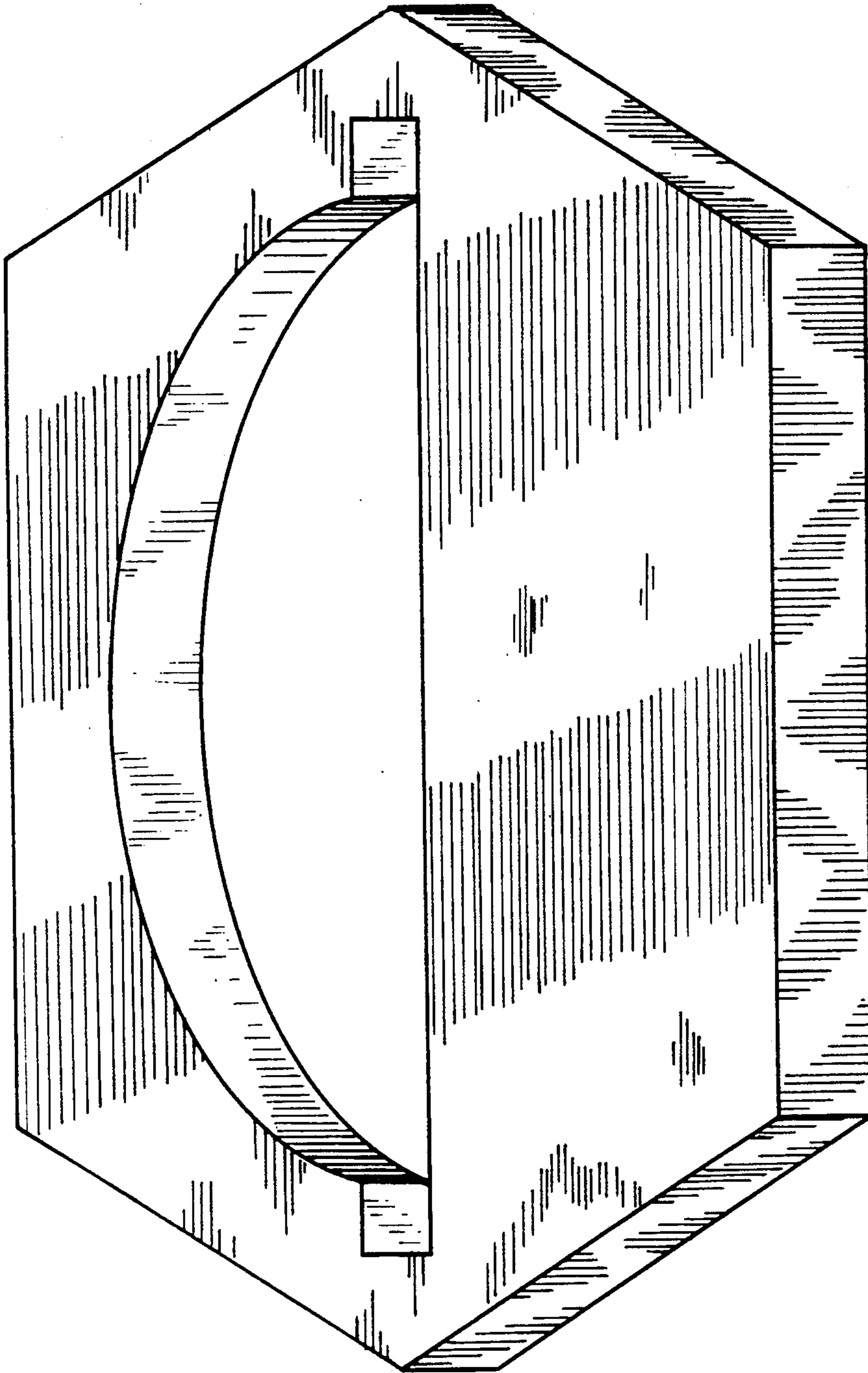


FIG. 1

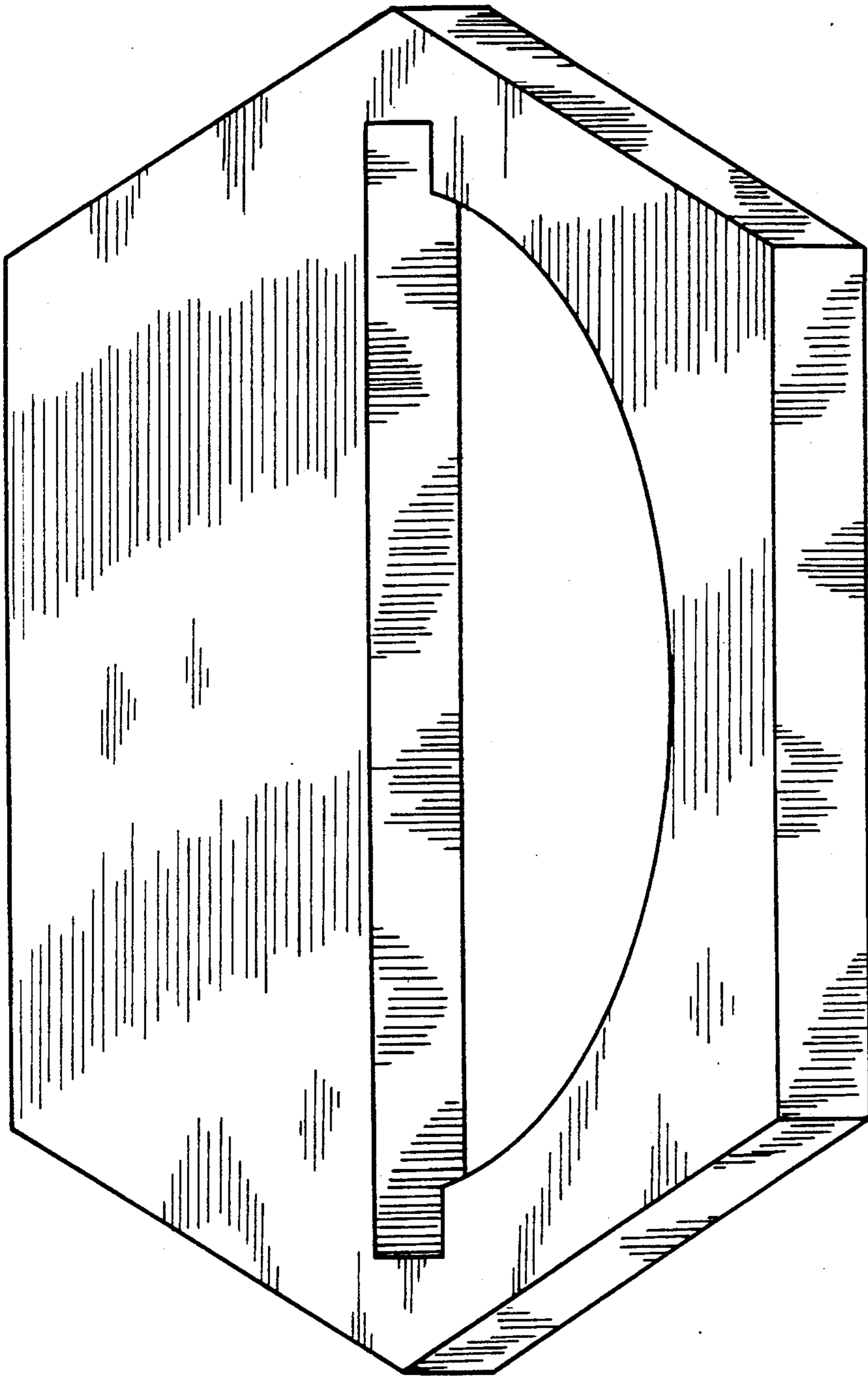


FIG. 2

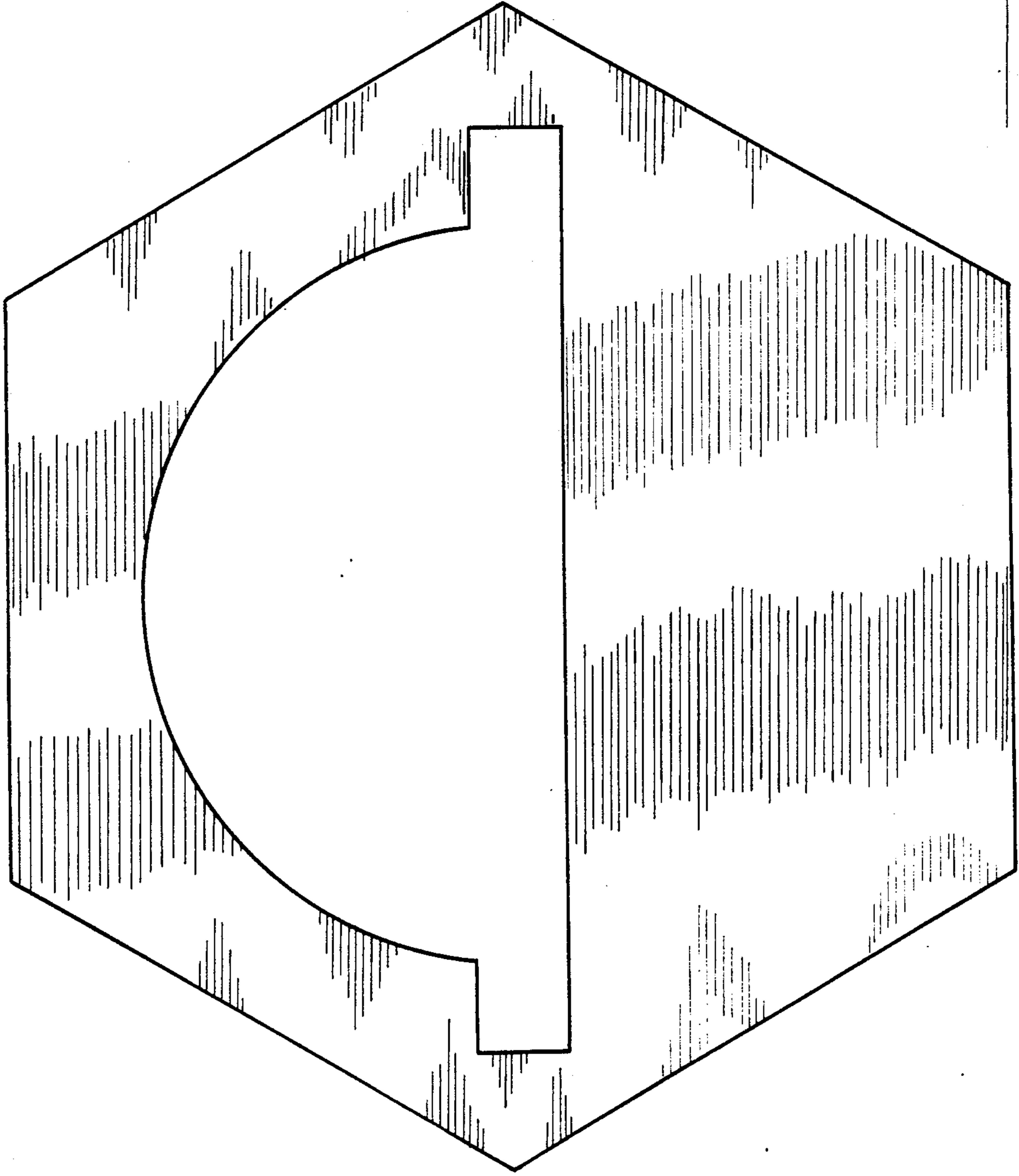


FIG. 3

FIG. 4

