

[54] DOOR LATCHING UNIT

[76] Inventor: Marco Mastrogiovanni, 37 Mead Farm Rd., Seymour, Conn. 06483

[**] Term: 14 Years

[21] Appl. No.: 321,534

[22] Filed: Mar. 9, 1989

[52] U.S. Cl. D8/331

[58] Field of Search D8/330-331, D8/341; 292/2, 57-58, 240, 194, 195, 196, 278, DIG. 12; 70/91, 101, 105, 144

[56] References Cited

U.S. PATENT DOCUMENTS

D. 233,976	12/1974	Ridgway	D8/341
D. 286,133	10/1986	Dryburgh et al.	D8/341
4,136,898	1/1979	Guenther	292/57
4,363,227	12/1982	Lo	70/144

Primary Examiner—Wallace R. Burke

Assistant Examiner—Brian N. Vinson
Attorney, Agent, or Firm—Melvin I. Stoltz

[57] CLAIM

The ornamental design for a door latching unit, as shown and described.

DESCRIPTION

FIG. 1 is a perspective view of a door latching unit showing my new design;

FIG. 2 is a top plan view thereof, the broken-line showing of a fragment of a door and frame being for illustrative purposes only and forming no part of the claimed design;

FIG. 3 is a front elevational view thereof;

FIG. 4 is a left side elevational view thereof;

FIG. 5 is a right side elevational view thereof;

FIG. 6 is a rear elevational view thereof;

FIG. 7 is a bottom plan view thereof; and

FIG. 8 is a perspective view thereof, with the thumbnut unthreaded slightly and the bolt shown rotated downward to a disengaged position.

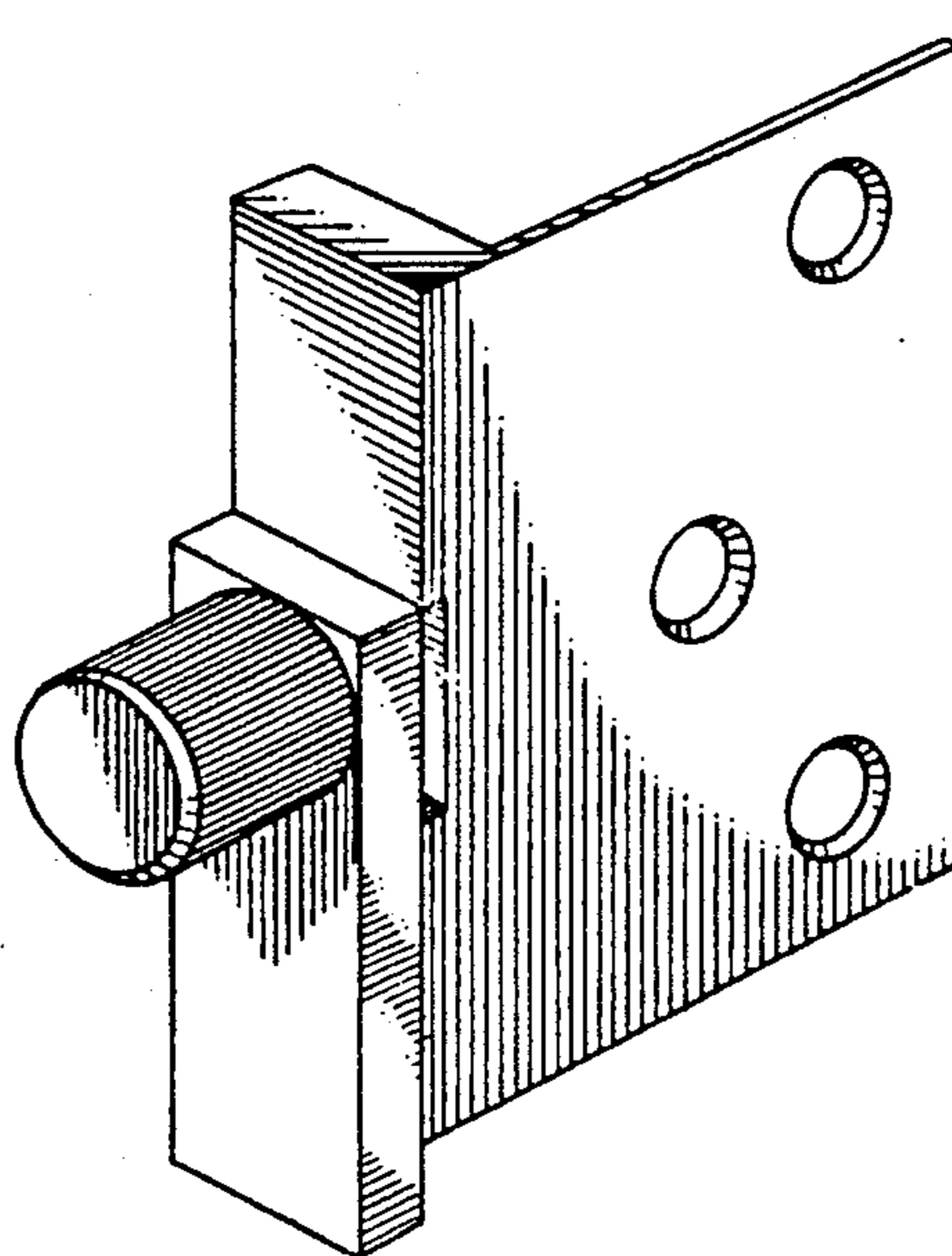
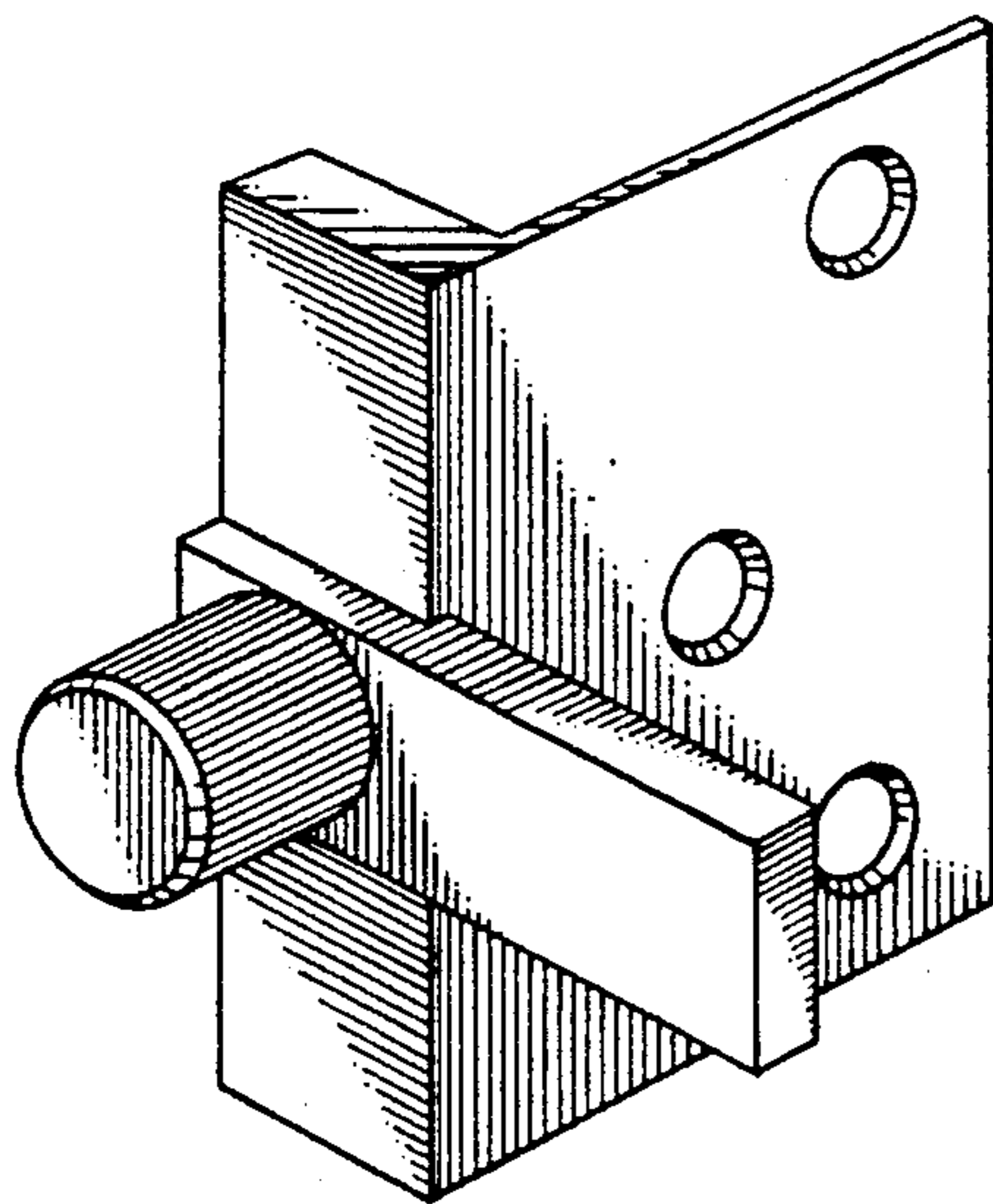


FIG. 1

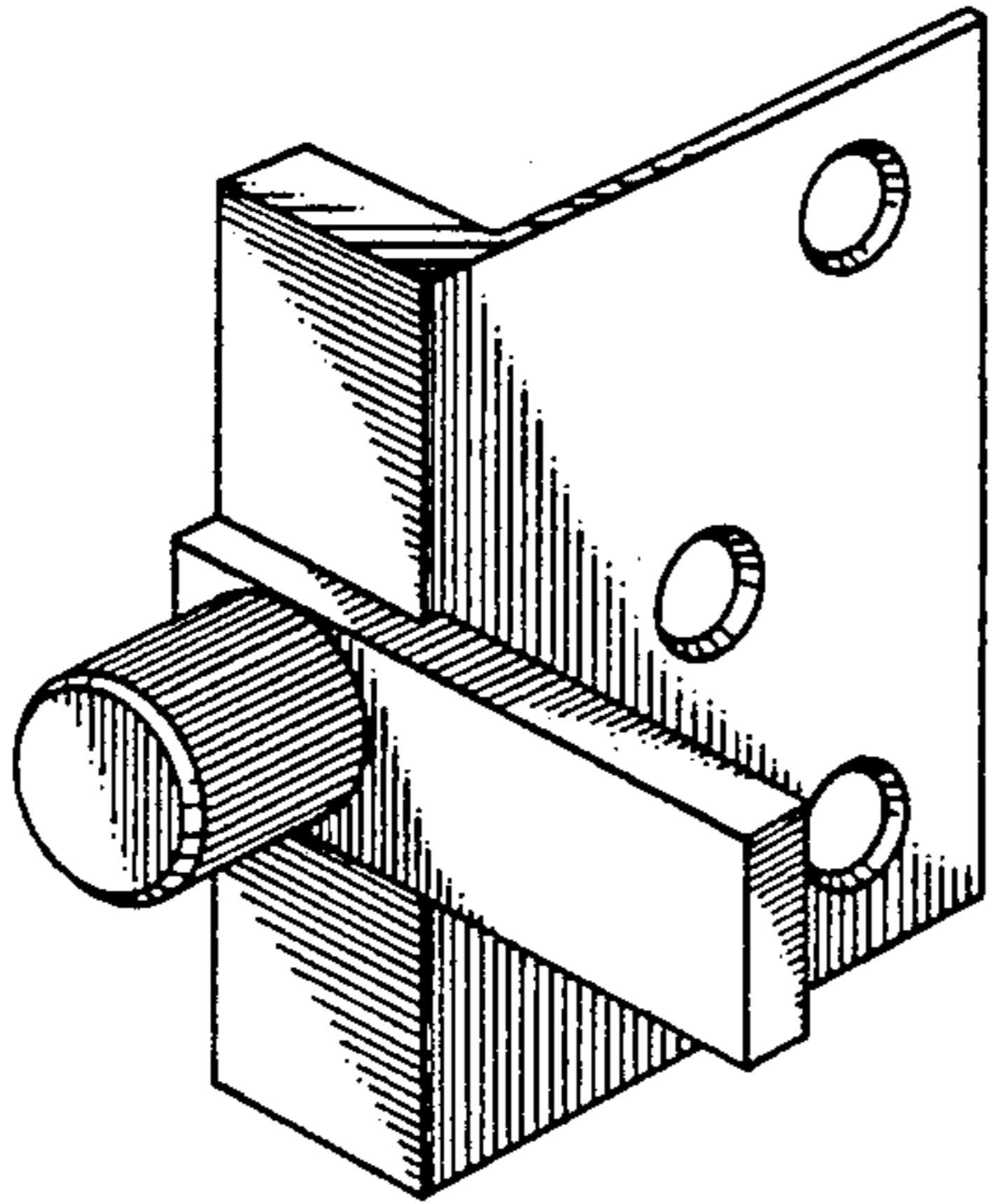


FIG. 2

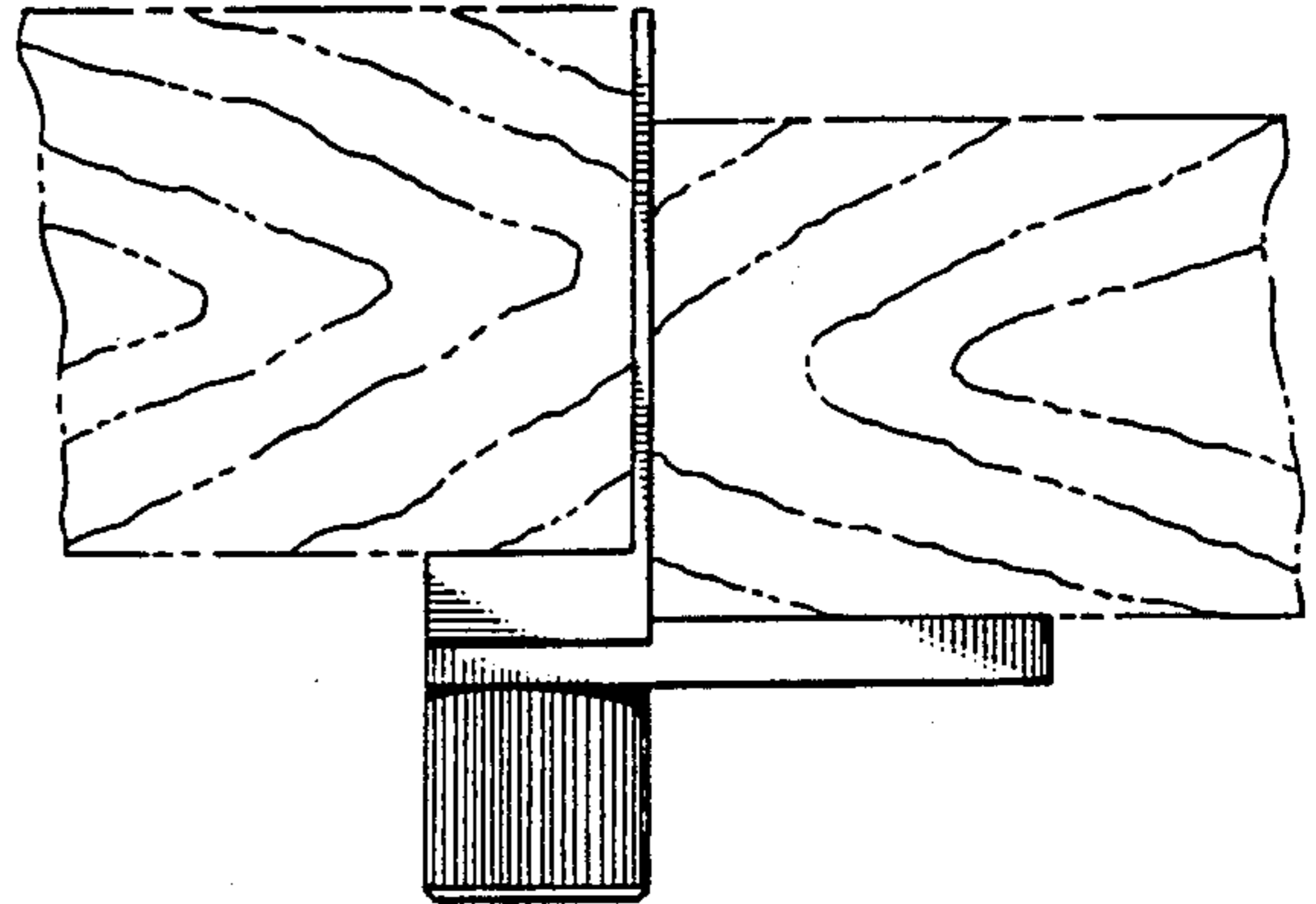


FIG. 4

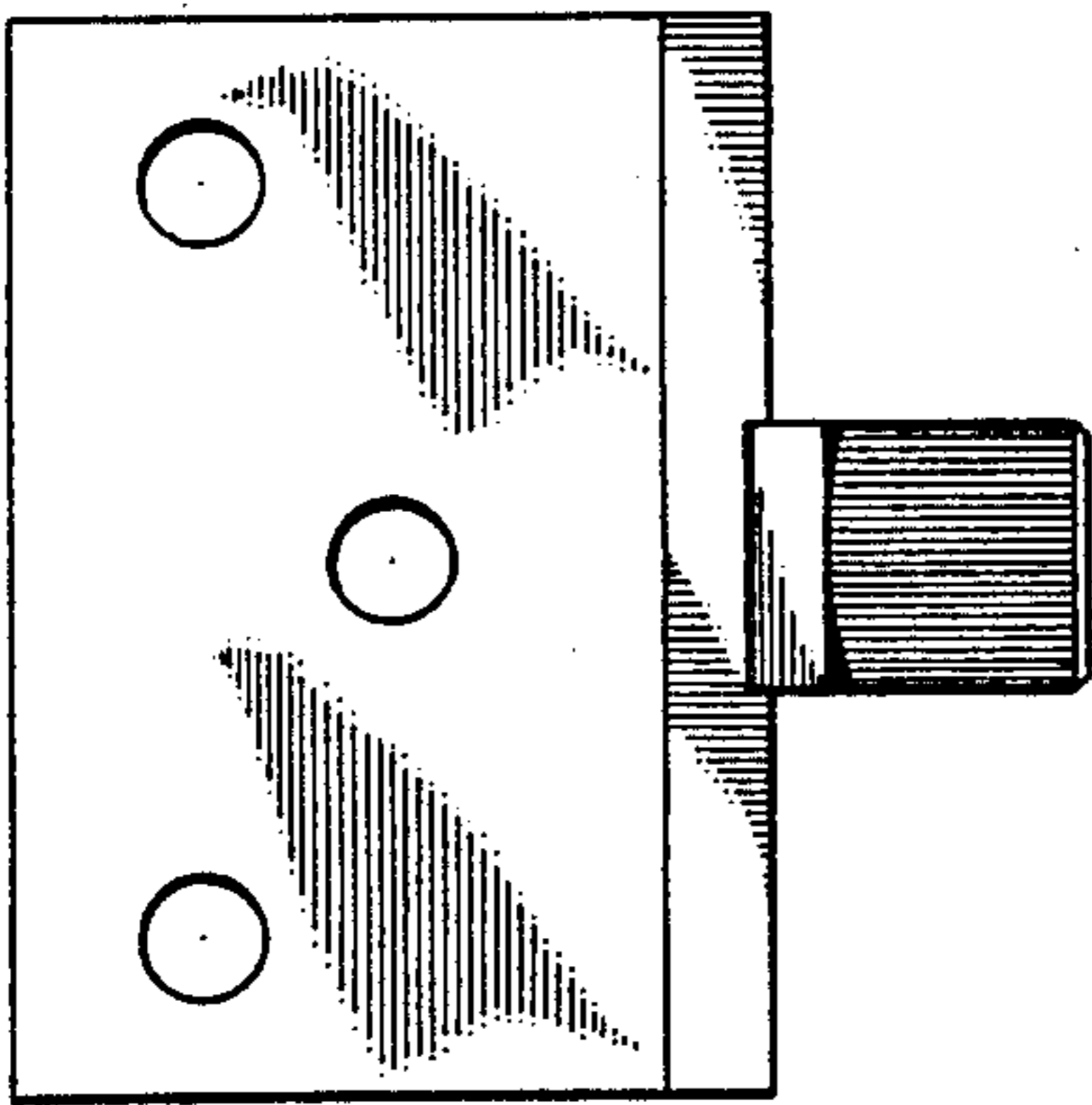


FIG. 3

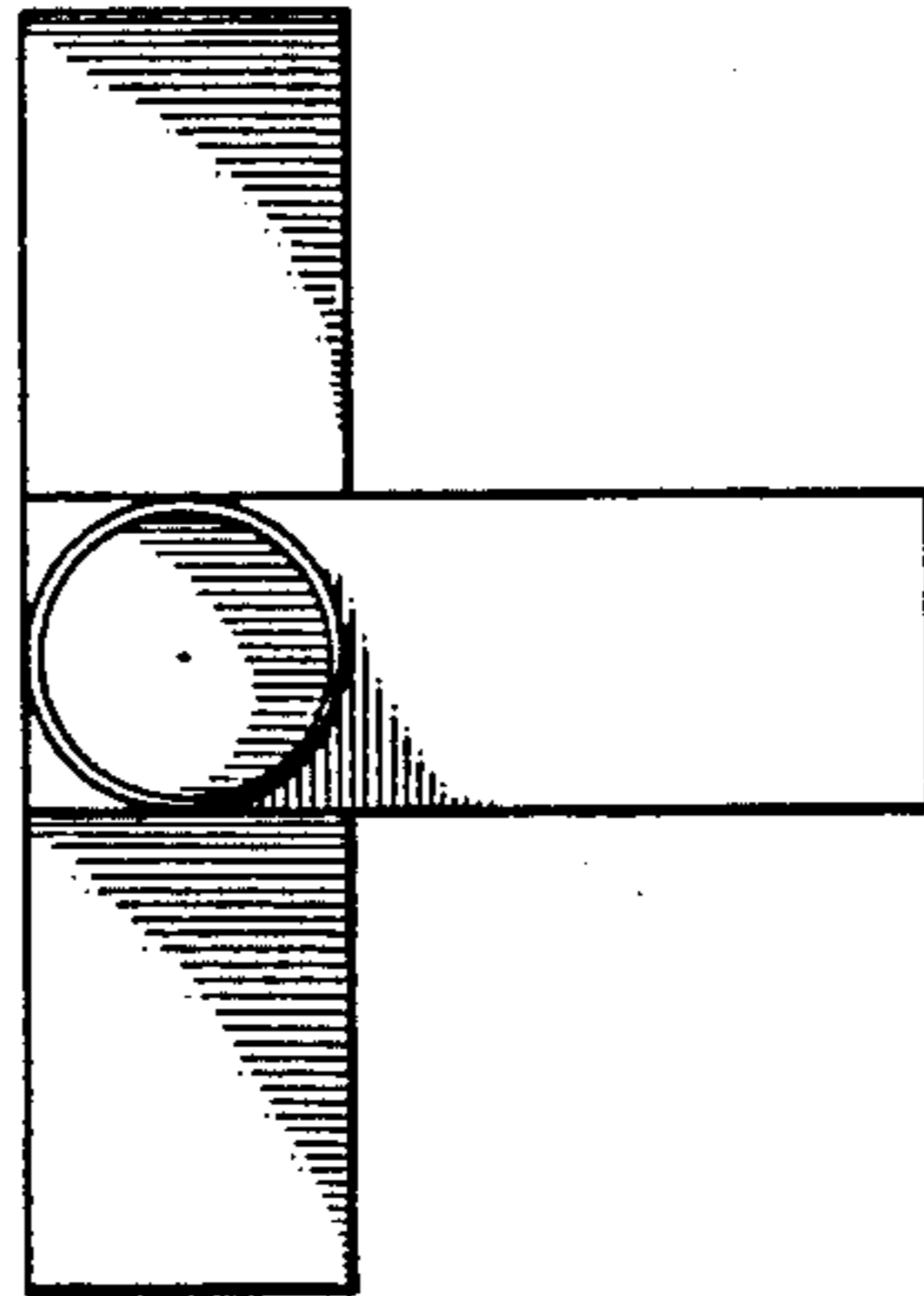


FIG. 5

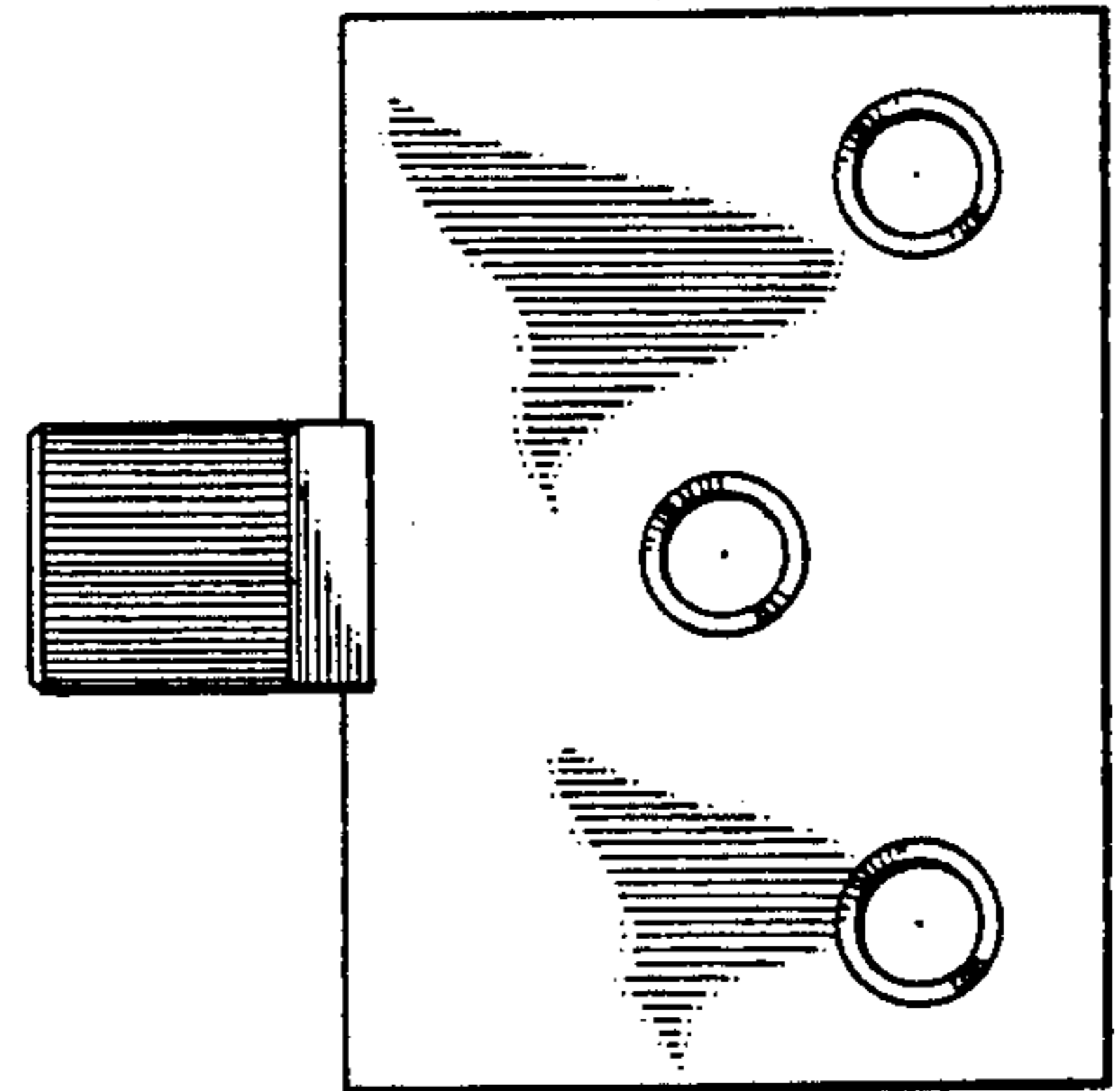


FIG. 6

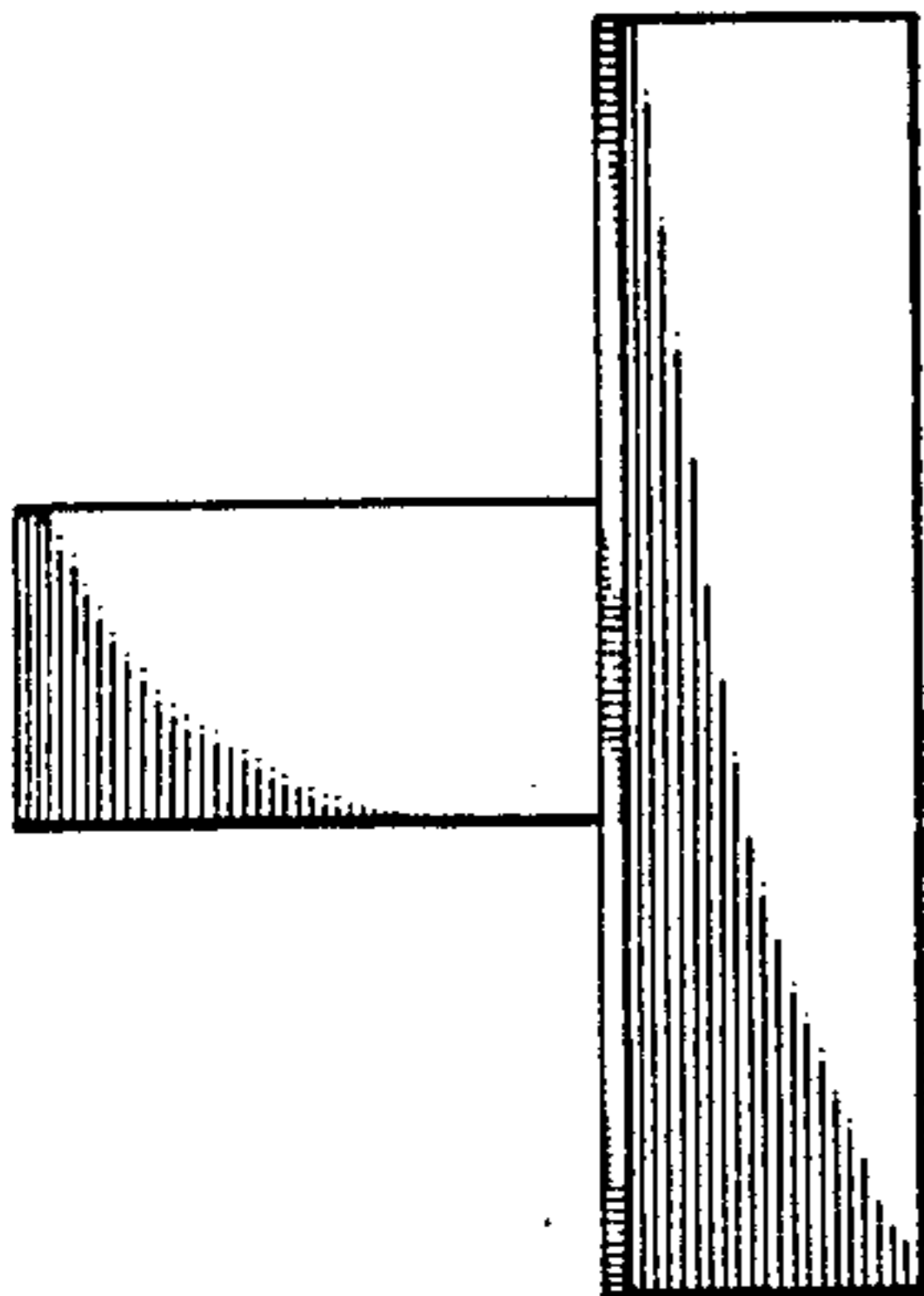


FIG. 7

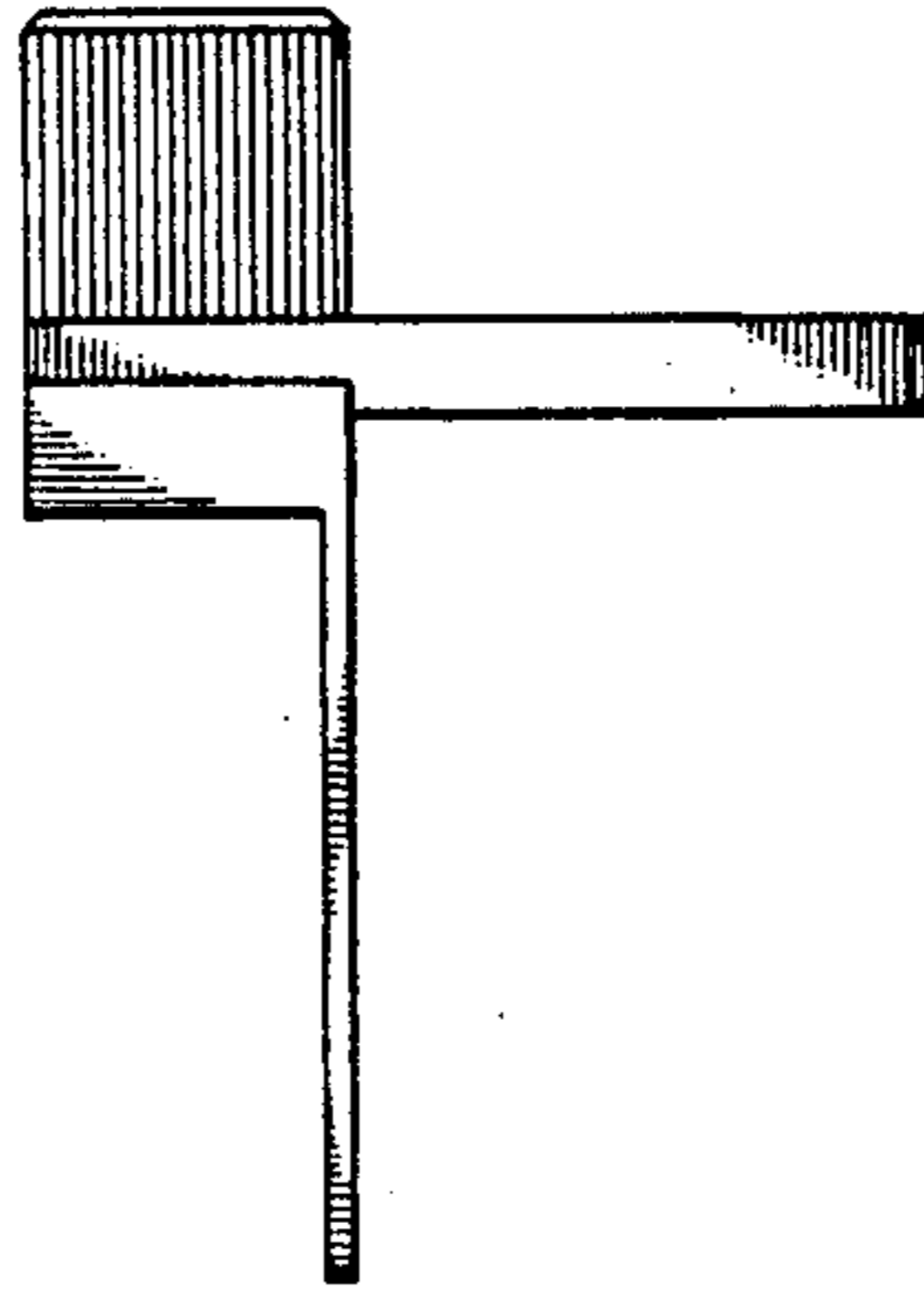


FIG. 8

