

[54] KNOB FOR LOCKS OR THE LIKE

[76] Inventor: **Torsten G. A. Johansson**,
Köpmangatan 9, S-63356 Eskilstuna,
Sweden

[**] Term: **14 Years**

[21] Appl. No.: **73,626**

[22] Filed: **Jul. 15, 1987**

[30] Foreign Application Priority Data

Jan. 16, 1987 [SE] Sweden 870072

[52] U.S. Cl. **D8/311**

[58] Field of Search D8/300, 301, 311, 315-320,
D8/306; 16/110 R, 111 R; 70/447; 292/336.3,
347, DIG. 2

[56] References Cited

U.S. PATENT DOCUMENTS

D. 119,418 3/1940 Anderson et al. D8/306

D. 127,782 6/1941 Aldeen D8/317

D. 183,739 10/1958 Gomersall D8/301
D. 211,324 6/1968 Kirk D8/311
2,603,821 7/1952 Bacon et al. 16/111 R

Primary Examiner—B. J. Bullock
Attorney, Agent, or Firm—James Creighton Wray

[57] **CLAIM**

The ornamental design for a knob for locks or the like,
as shown and described.

DESCRIPTION

FIG. 1 is a bottom plan view of the knob for locks or the
like showing my new design, the top being a mirror
image;

FIG. 2 is a front elevational view thereof, the rear being
unornamented;

FIG. 3 is a bottom plan view of the handle element
shown separately for ease of illustration, the top being a
mirror image;

FIG. 4 is a front elevational view of FIG. 3;

FIG. 5 is a perspective view thereof, the broken line
showing of a lock being for illustrative purposes only.

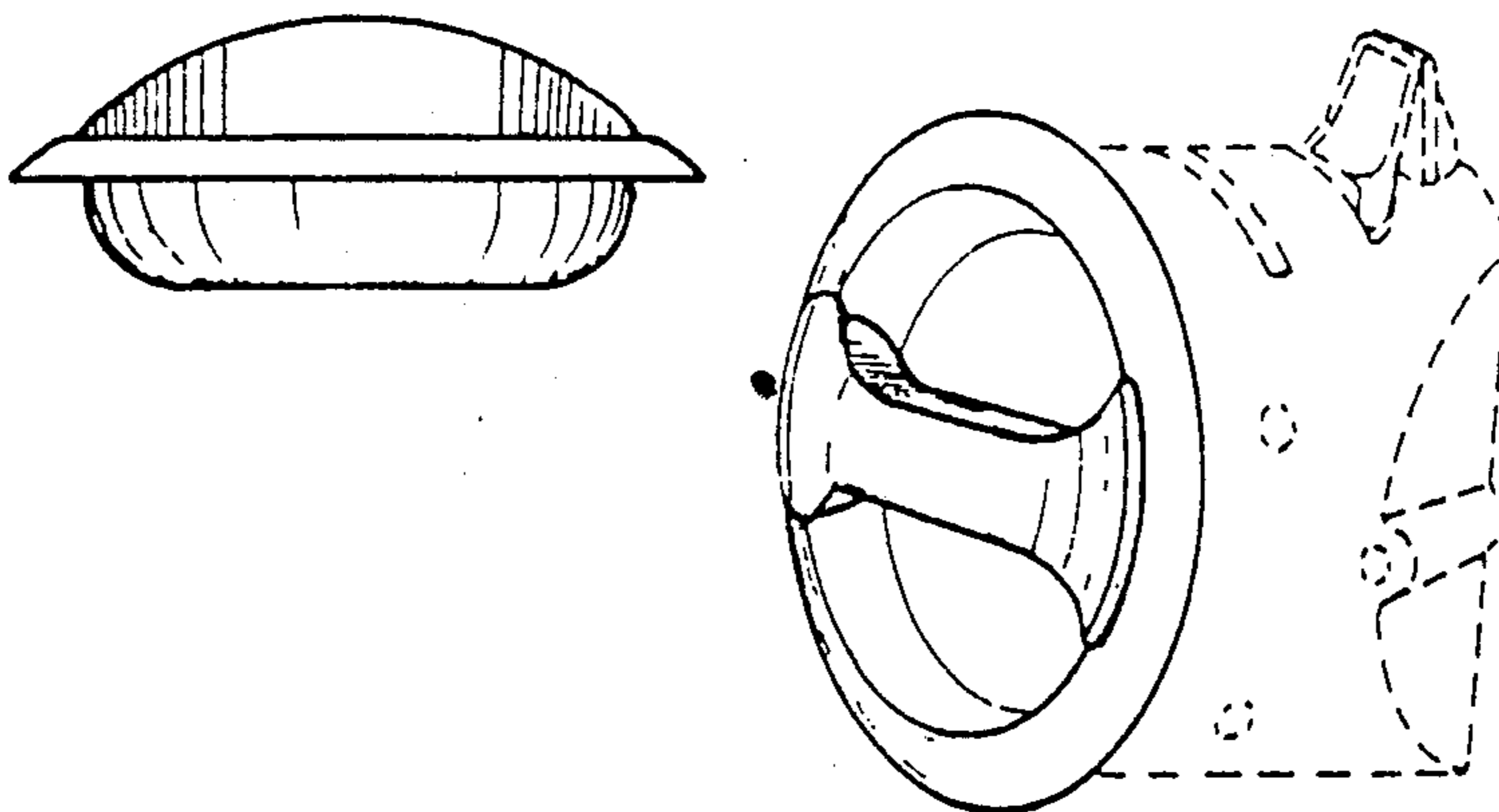


FIG. 1

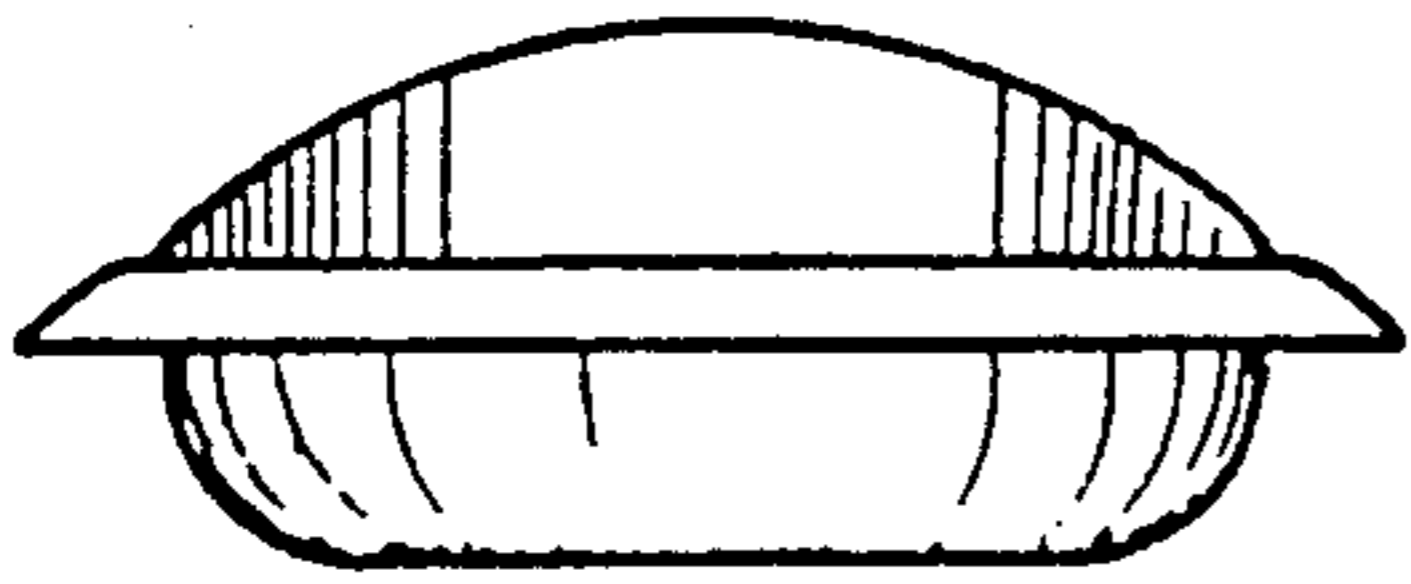


FIG. 3

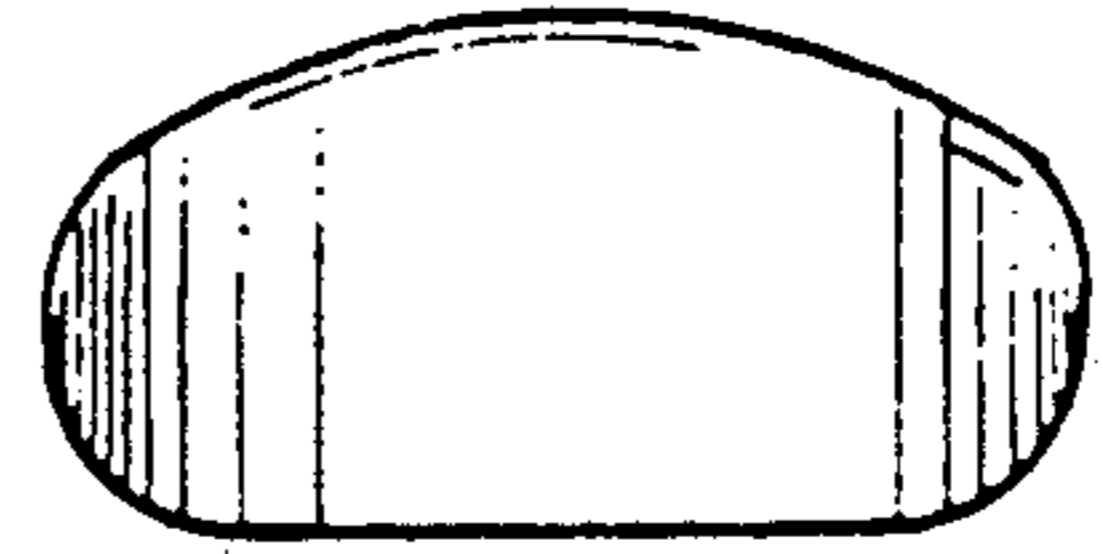


FIG. 2

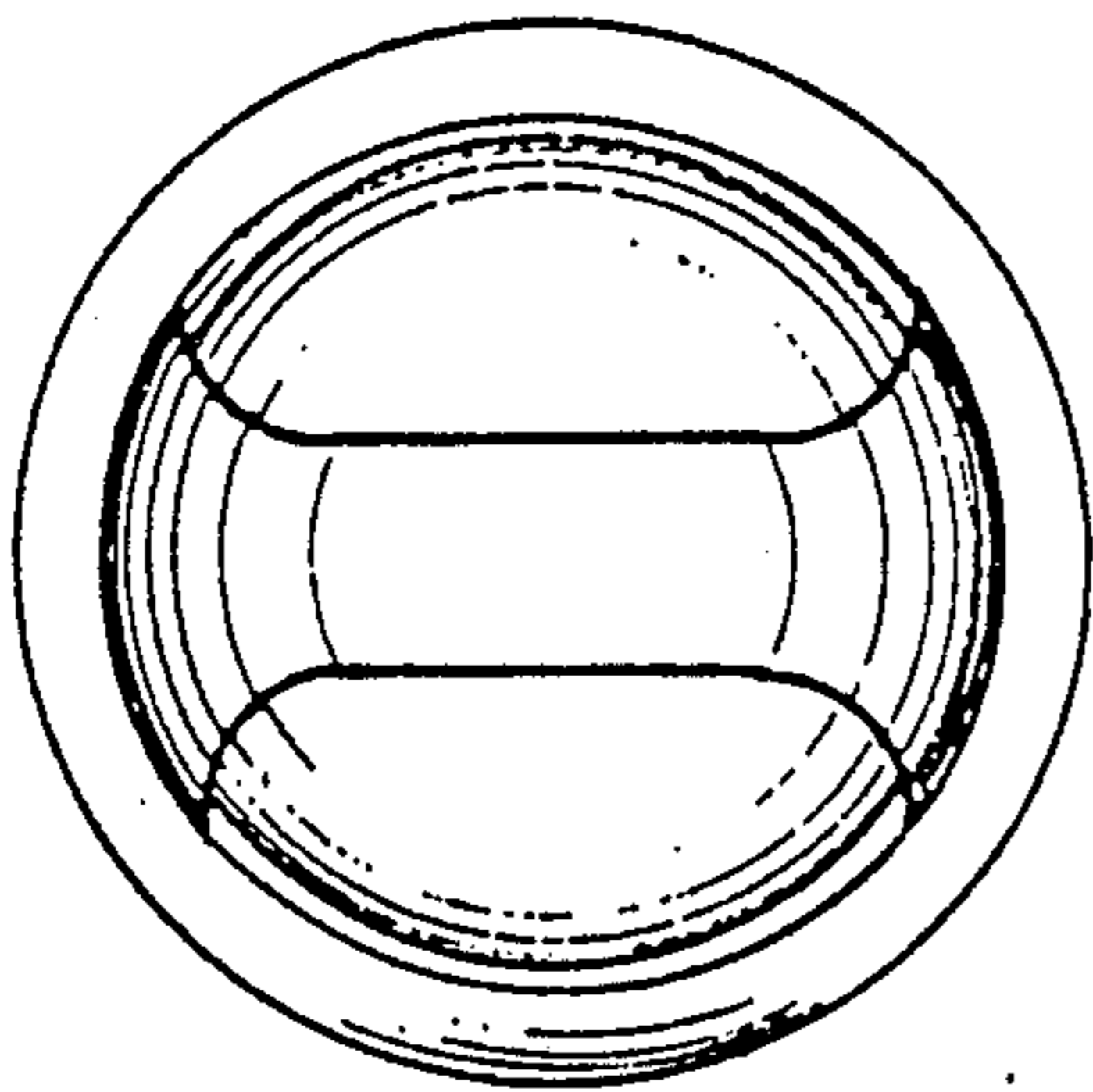


FIG. 4

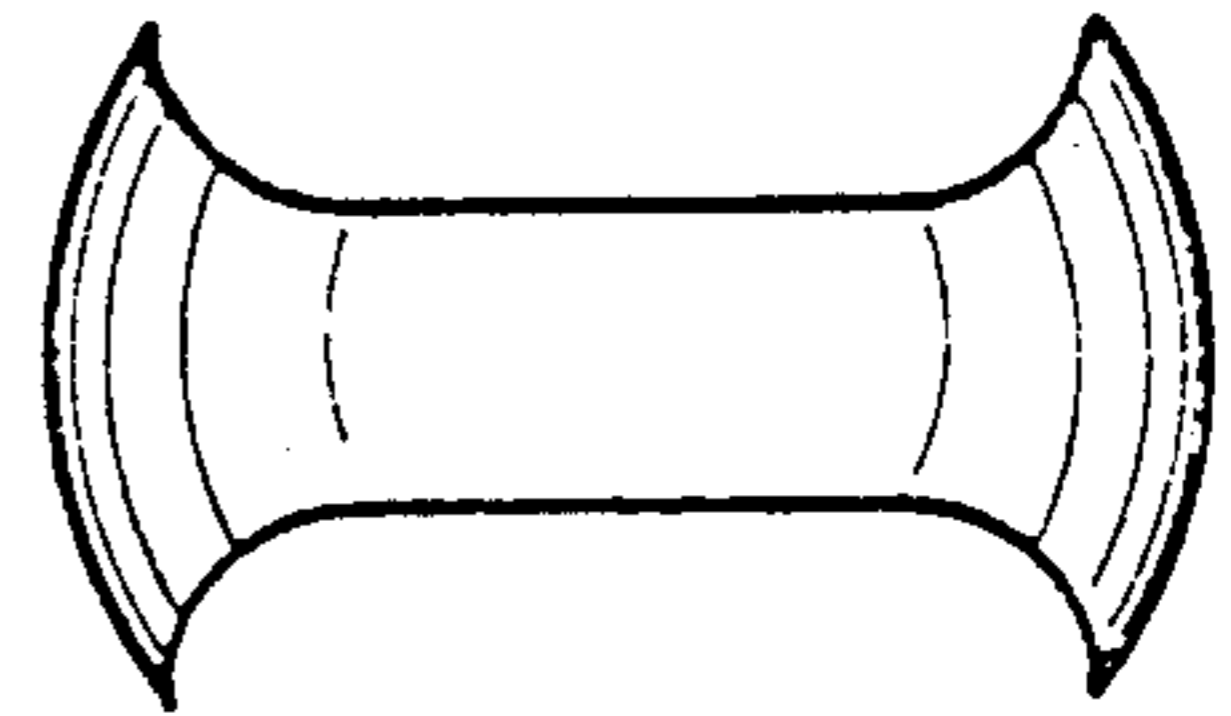


FIG. 5

