

[54] COMBINED PANLID HOLDER AND SPOONREST

D. 311,651 10/1990 Fetty D6/462

[76] Inventor: Lowell L. Fetty, 4603 S. Rte. 47, Woodstock, Ill. 60102

Primary Examiner—Terry A. Pfeffer
Attorney, Agent, or Firm—Mathew R. P. Perrone, Jr.

[**] Term: 14 Years

[57] CLAIM

[21] Appl. No.: 121,149

The ornamental design for a combined panlid holder and spoonrest, as shown.

[22] Filed: Nov. 16, 1987

DESCRIPTION

[52] U.S. Cl. D7/638; D6/462; D6/467

[58] Field of Search D7/637, 638, 601; D6/462, 467; 248/146, 152, 153, 37.3; 206/553; 211/41, 13

FIG. 1 is a perspective view of a combined panlid holder and spoonrest showing my new design, the panlid shown in broken lines for illustrative purposes only;

FIG. 2 is a top plan view thereof;

FIG. 3 is a bottom plan view thereof;

FIG. 4 is a left side elevational view thereof, the opposite side being a mirror image;

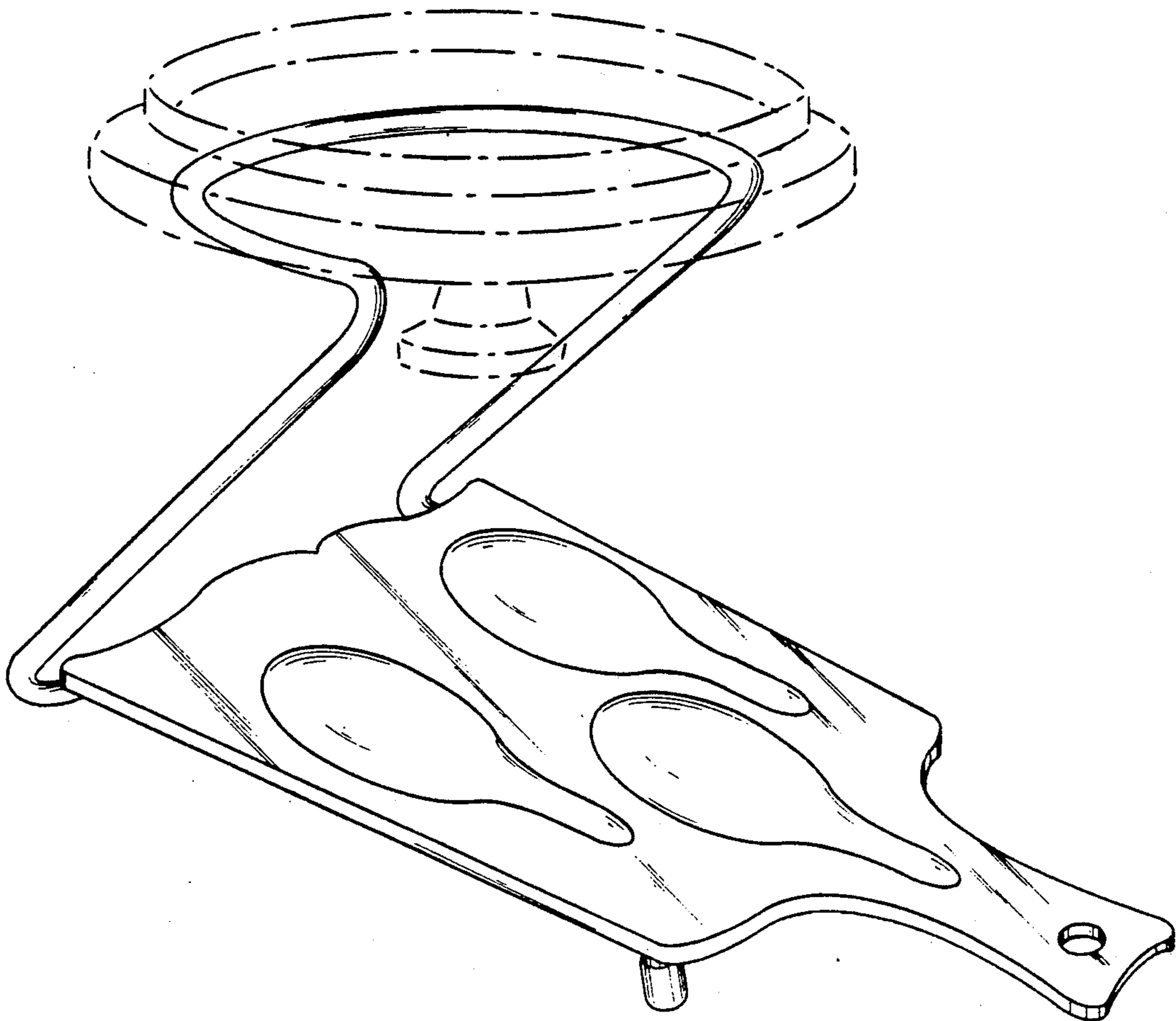
FIG. 5 is a front elevational view thereof; and

FIG. 6 is a rear elevational view thereof.

[56] References Cited

U.S. PATENT DOCUMENTS

- D. 255,311 6/1980 Dunne D7/637
- D. 282,323 1/1986 Fetty D7/602 X



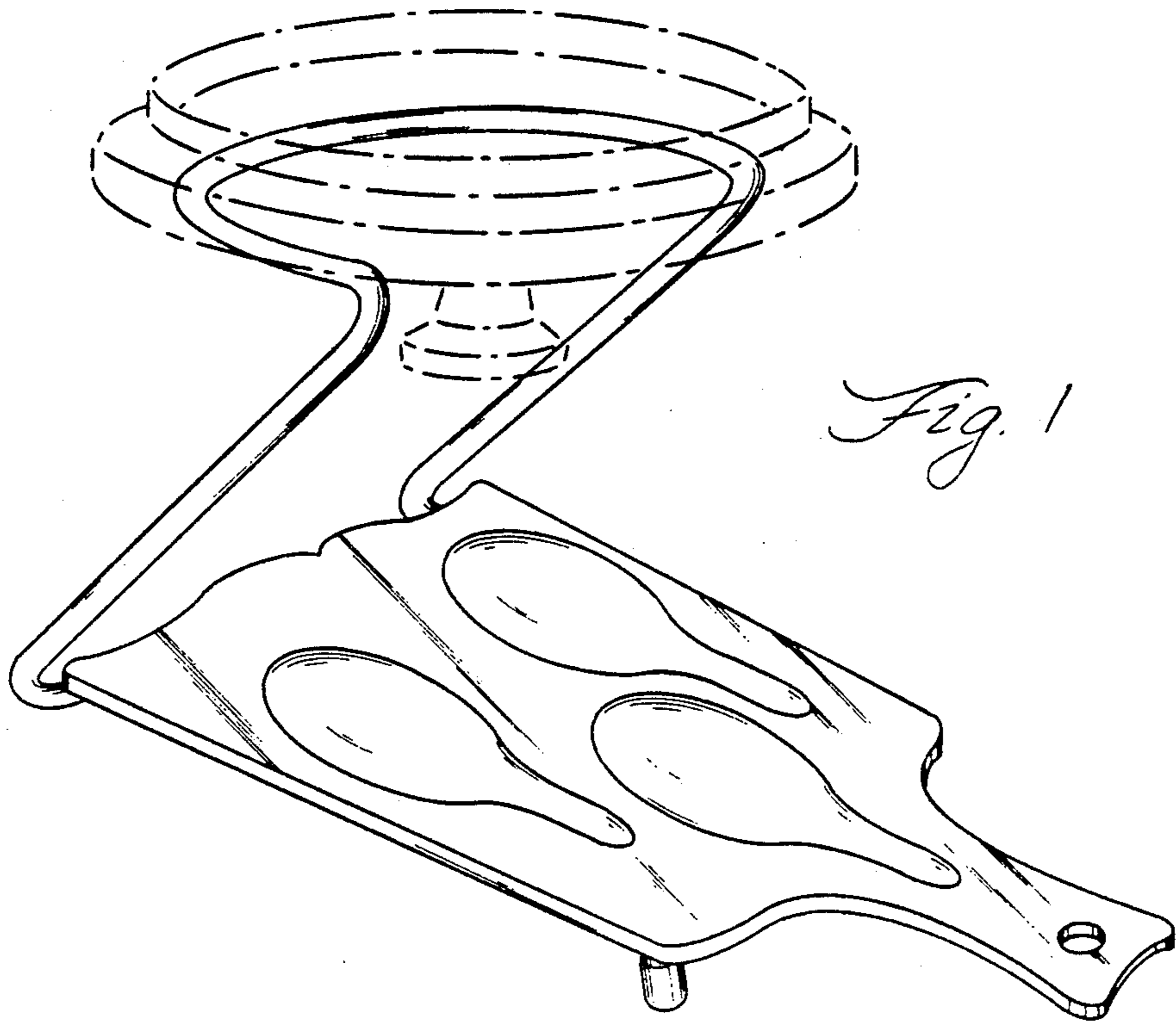


Fig. 1

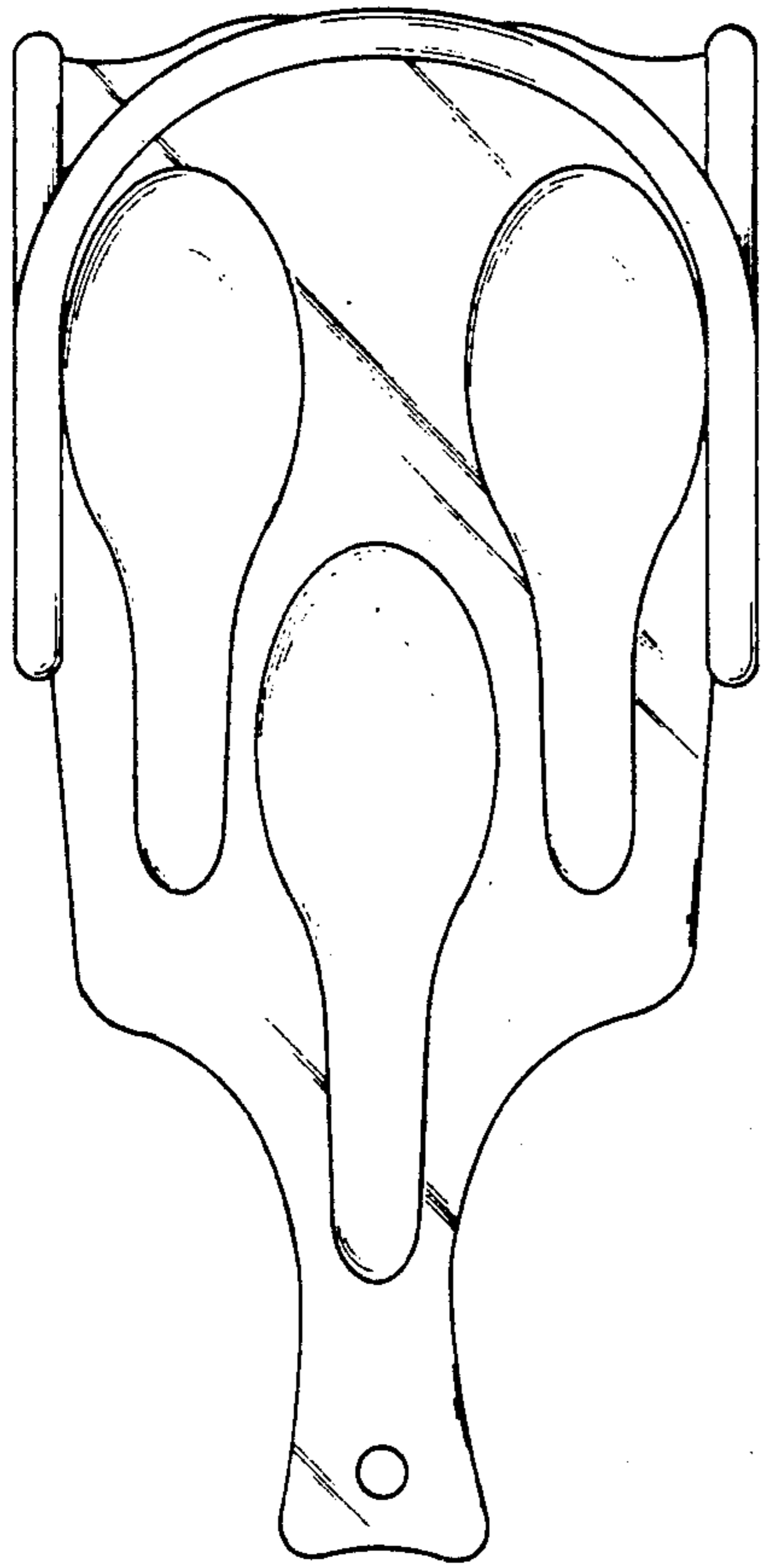


Fig. 2

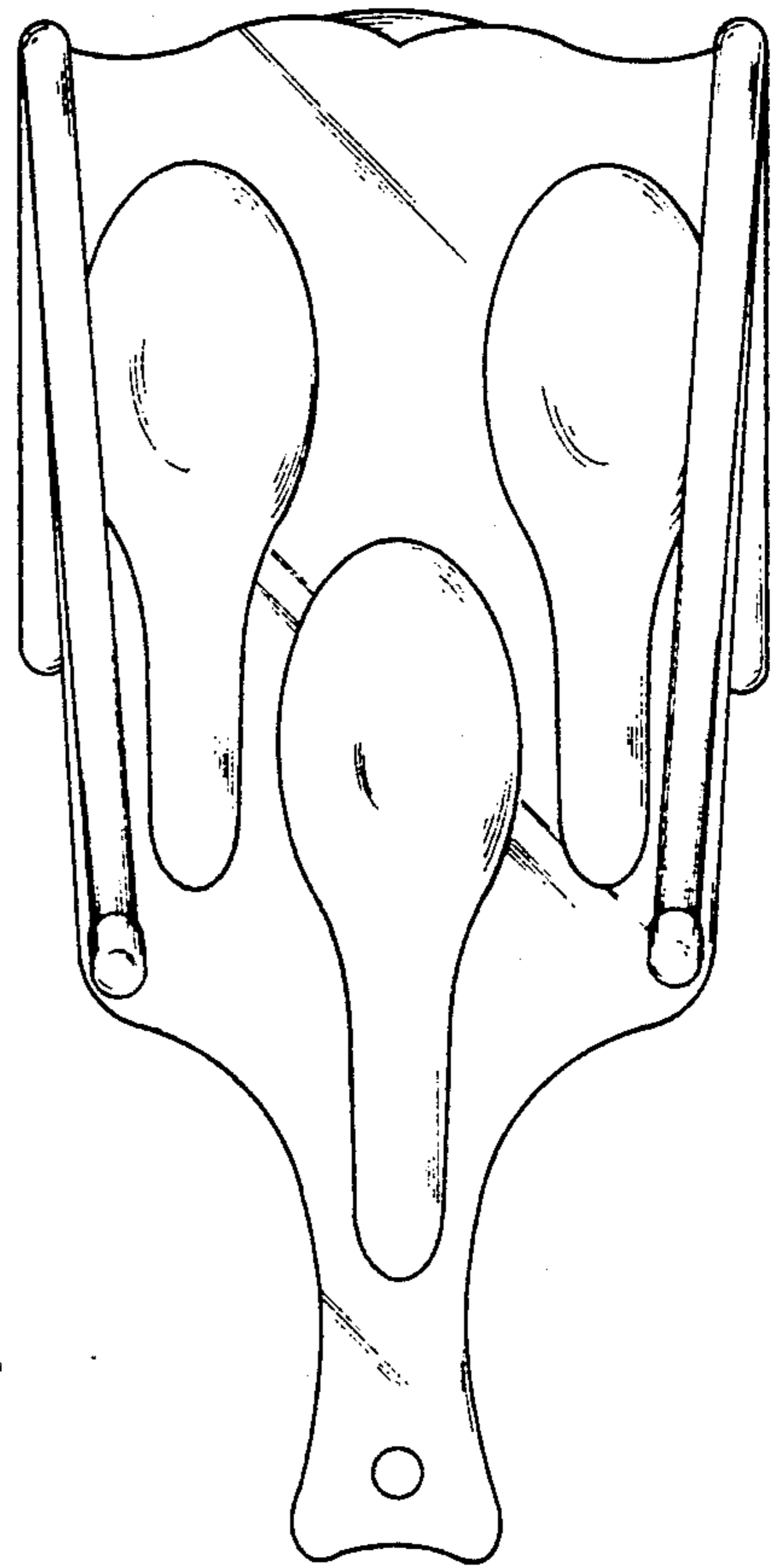


Fig. 3

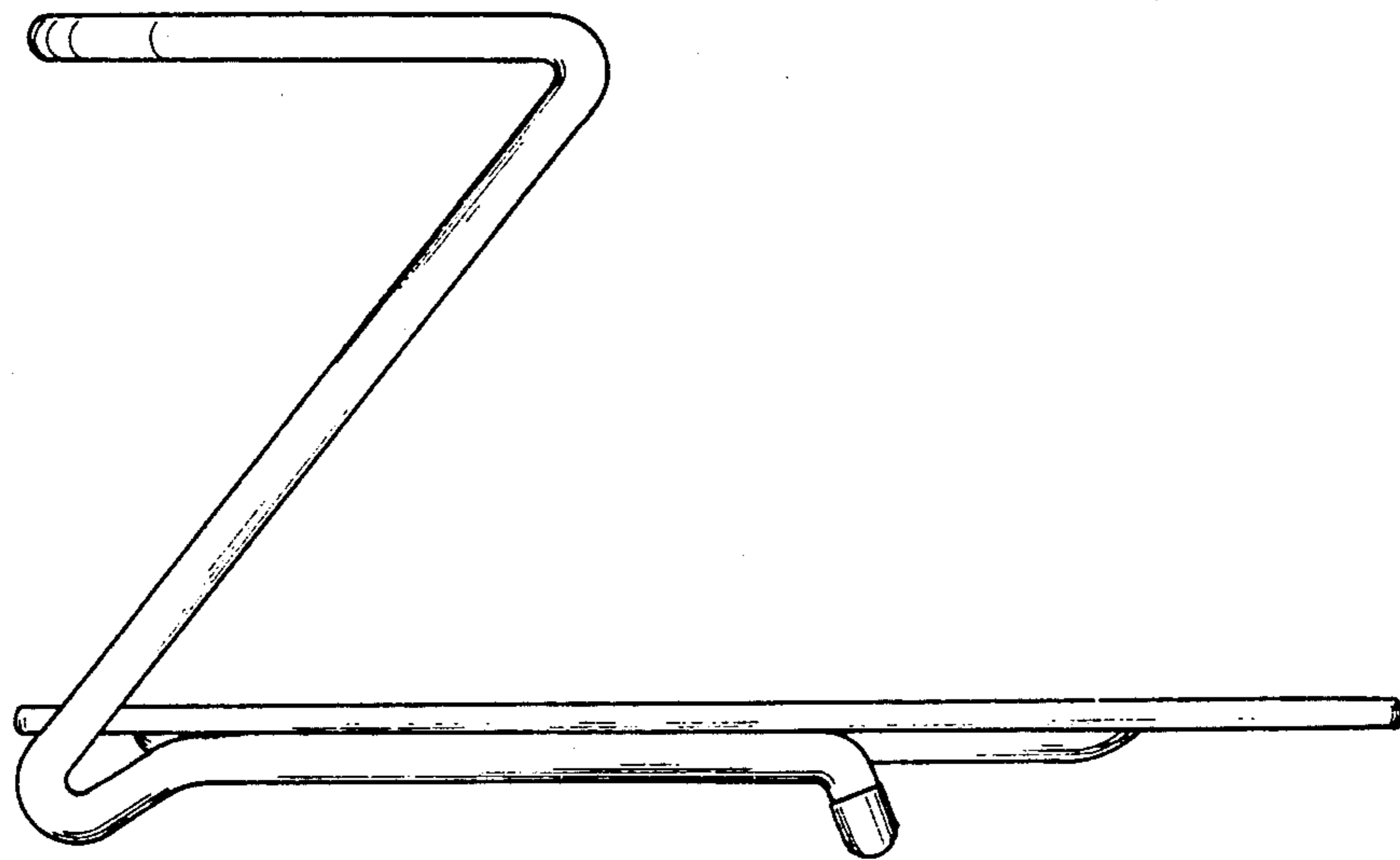


Fig. 4

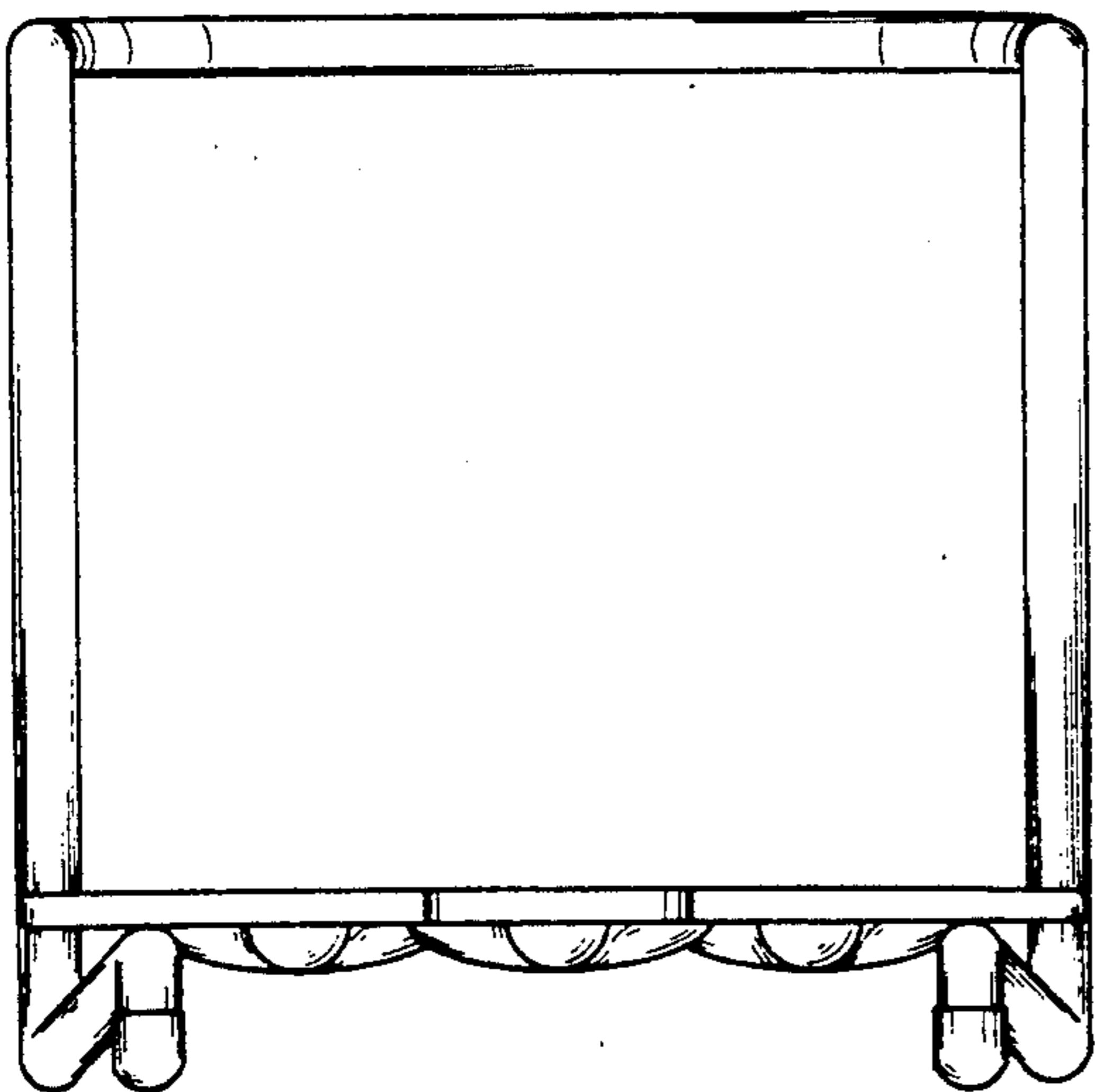


Fig. 5

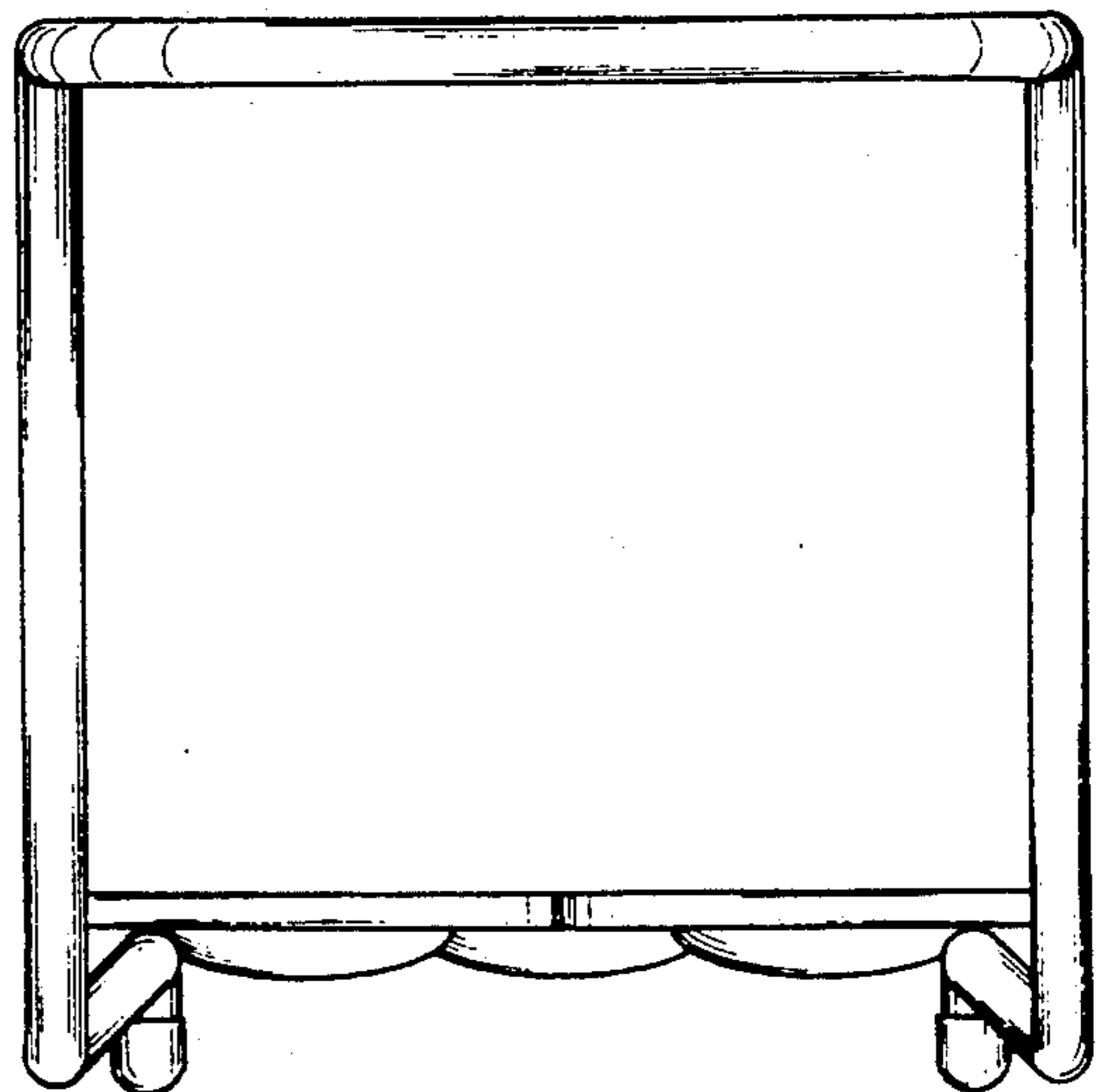


Fig. 6