

[54] BEVERAGE CUP HOLDER

[76] Inventor: Gerald D. Stoick, 434 E. Fairmont Blvd., #18, Rapid City, S. Dak. 57701

[**] Term: 14 Years

[21] Appl. No.: 342,437

[22] Filed: Apr. 21, 1989

[52] U.S. Cl. D7/620

[58] Field of Search D7/619-625; 220/85 H; 215/100.5; 211/71, 74, 75; 248/311.2; 224/252, 269

[56] References Cited

U.S. PATENT DOCUMENTS

- D. 288,501 5/1987 Henderson D7/624 X
- D. 307,852 5/1990 Clark D7/620

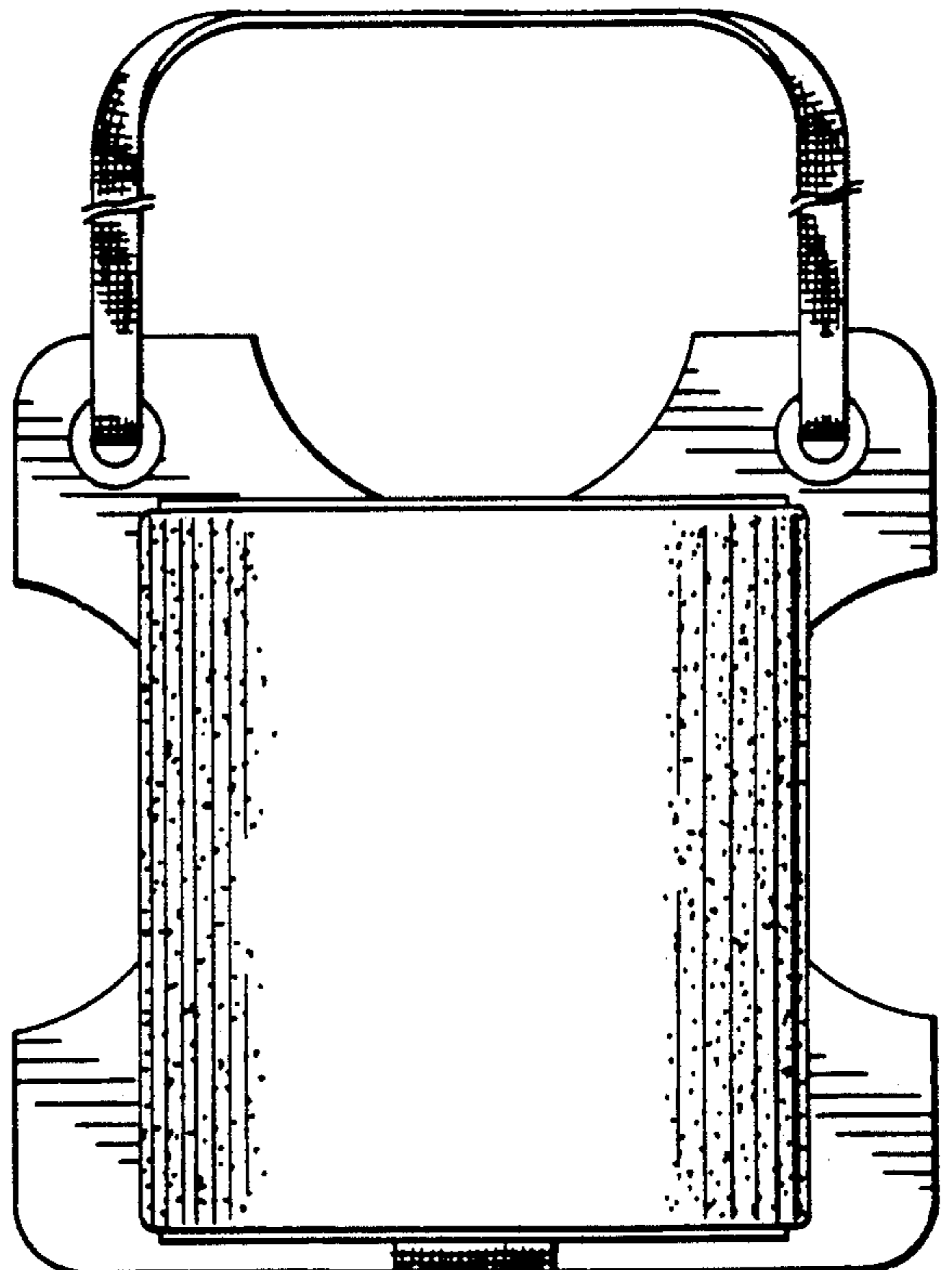
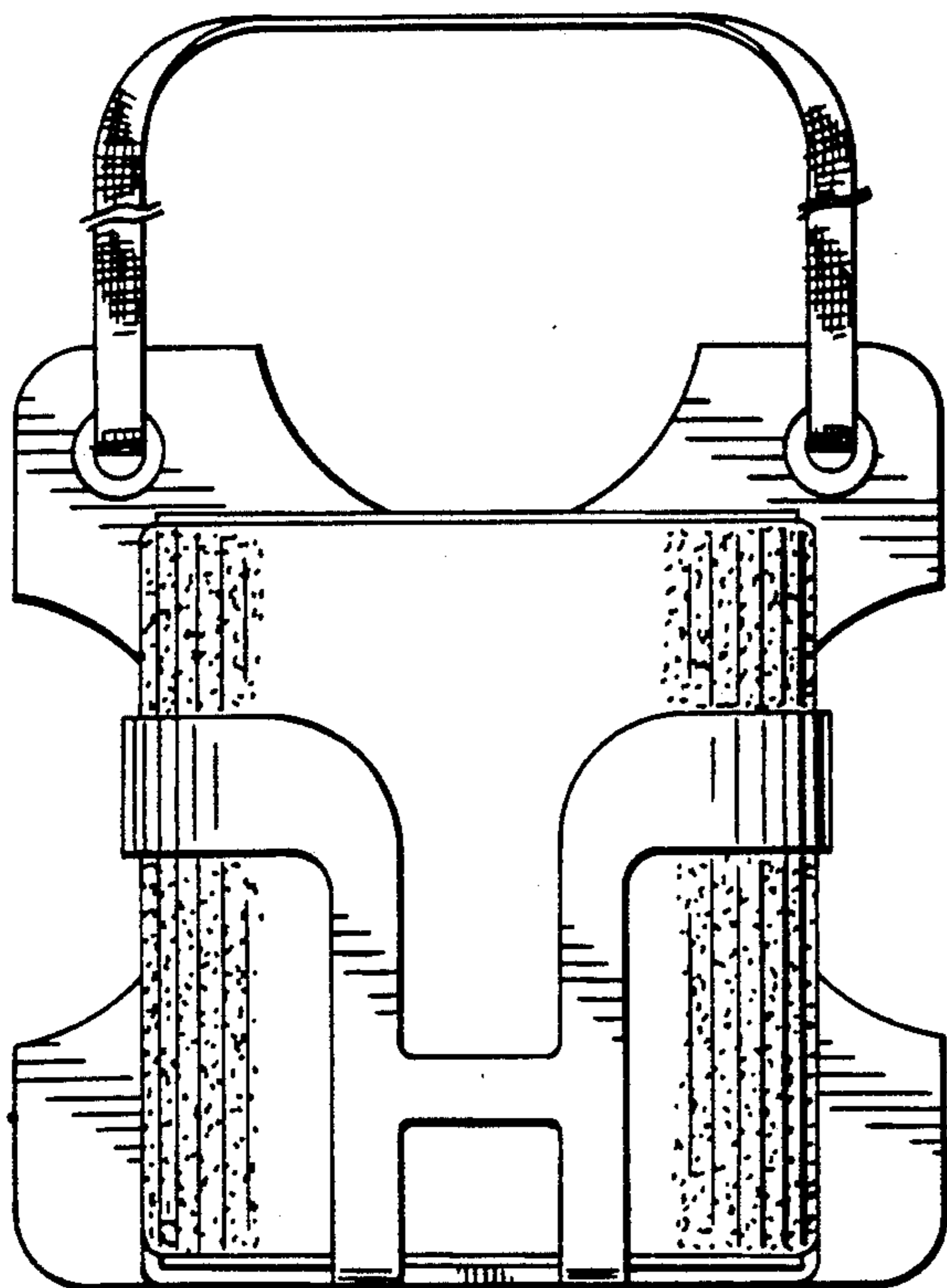
Primary Examiner—Terry A. Pfeffer

[57] CLAIM

The ornamental design for a beverage cup holder, as shown and described.

DESCRIPTION

FIG. 1 is a front elevational view of a beverage cup holder, showing my new design, a portion of the support strap being omitted to conserve space;
 FIG. 2 is a rear elevation view thereof;
 FIG. 3 is a left side elevational view thereof;
 FIG. 4 is a right side elevational view thereof;
 FIG. 5 is a bottom plan view thereof;
 FIG. 6 is a top plan view thereof;
 FIG. 7 is a front elevational view of a second embodiment of FIG. 1;
 FIG. 8 is a rear elevational view of FIG. 7;
 FIG. 9 is a left side elevational view of FIG. 7;
 FIG. 10 is a right side elevational view of FIG. 7;
 FIG. 11 is a bottom plan view of FIG. 7; and
 FIG. 12 is a top plan view of FIG. 7.



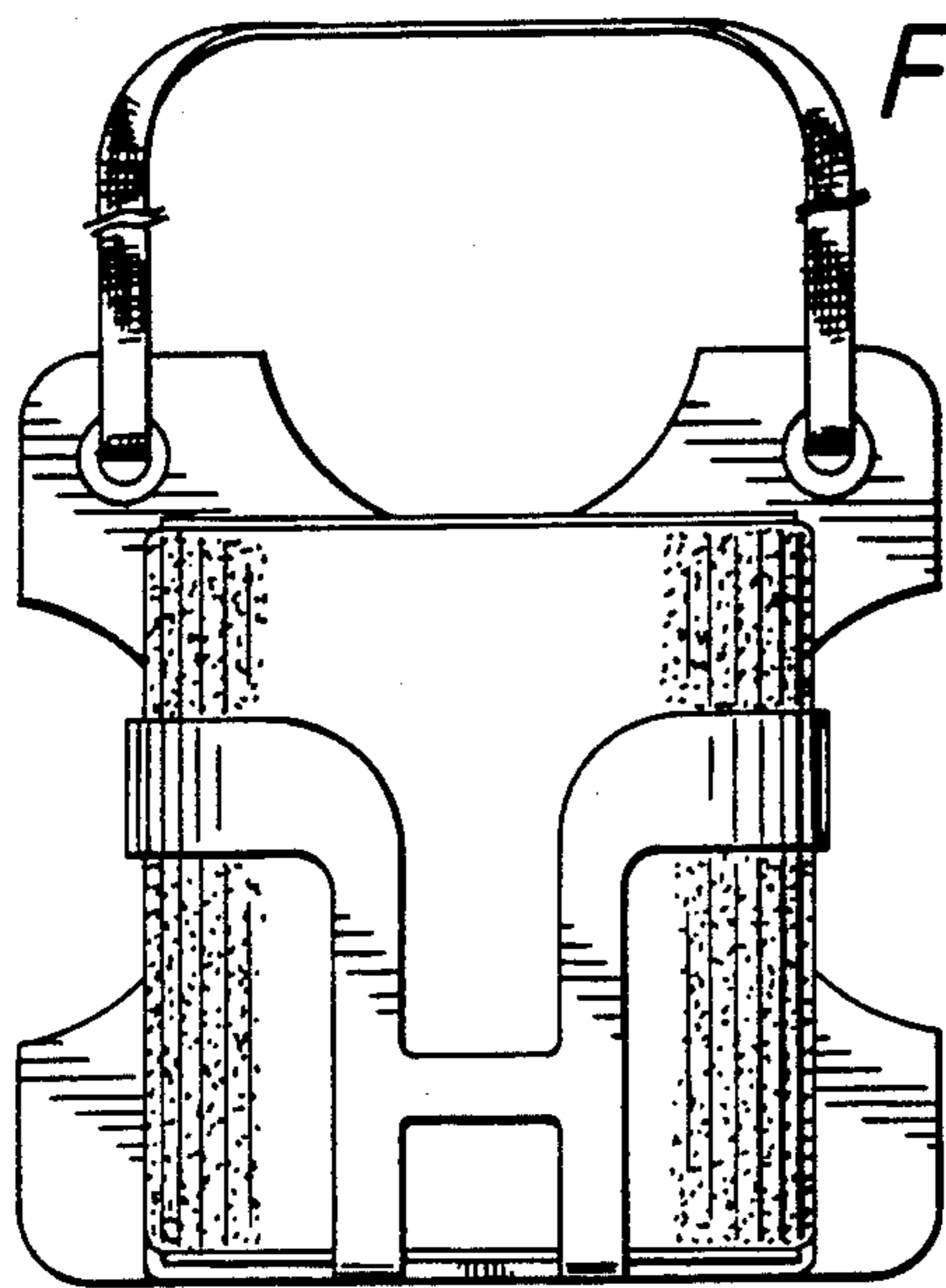


FIG. 1

FIG. 2

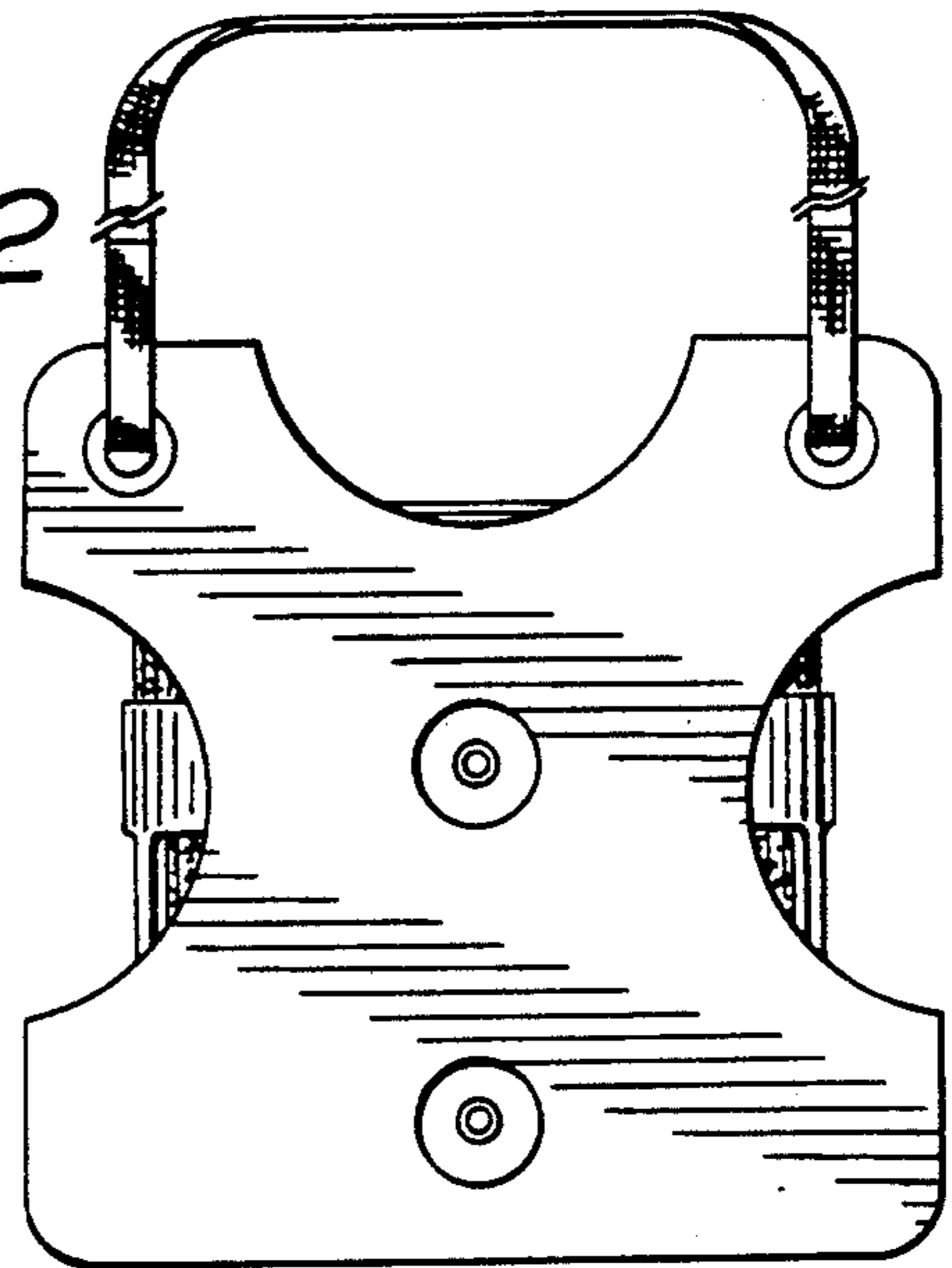


FIG. 3

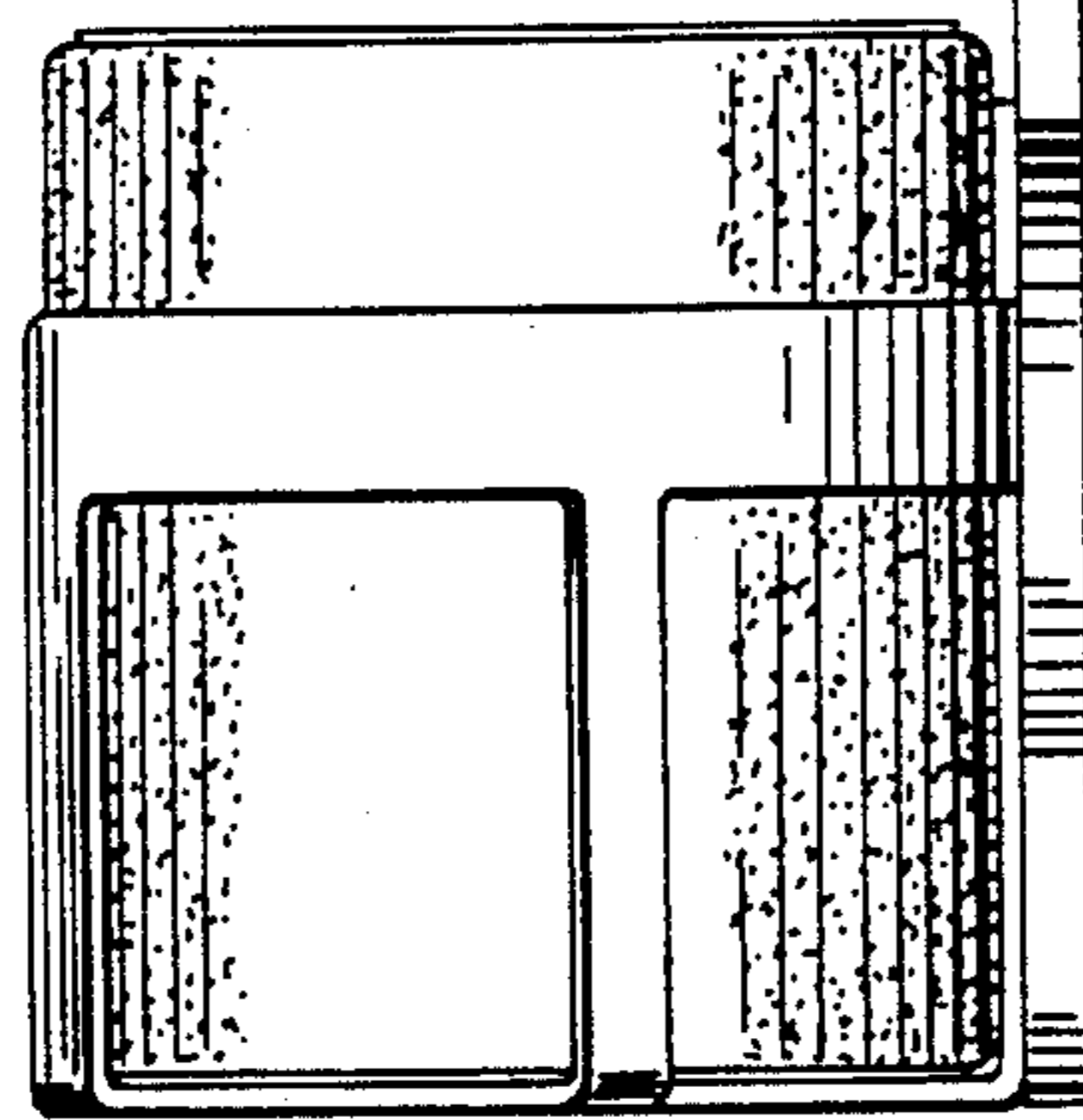


FIG. 4

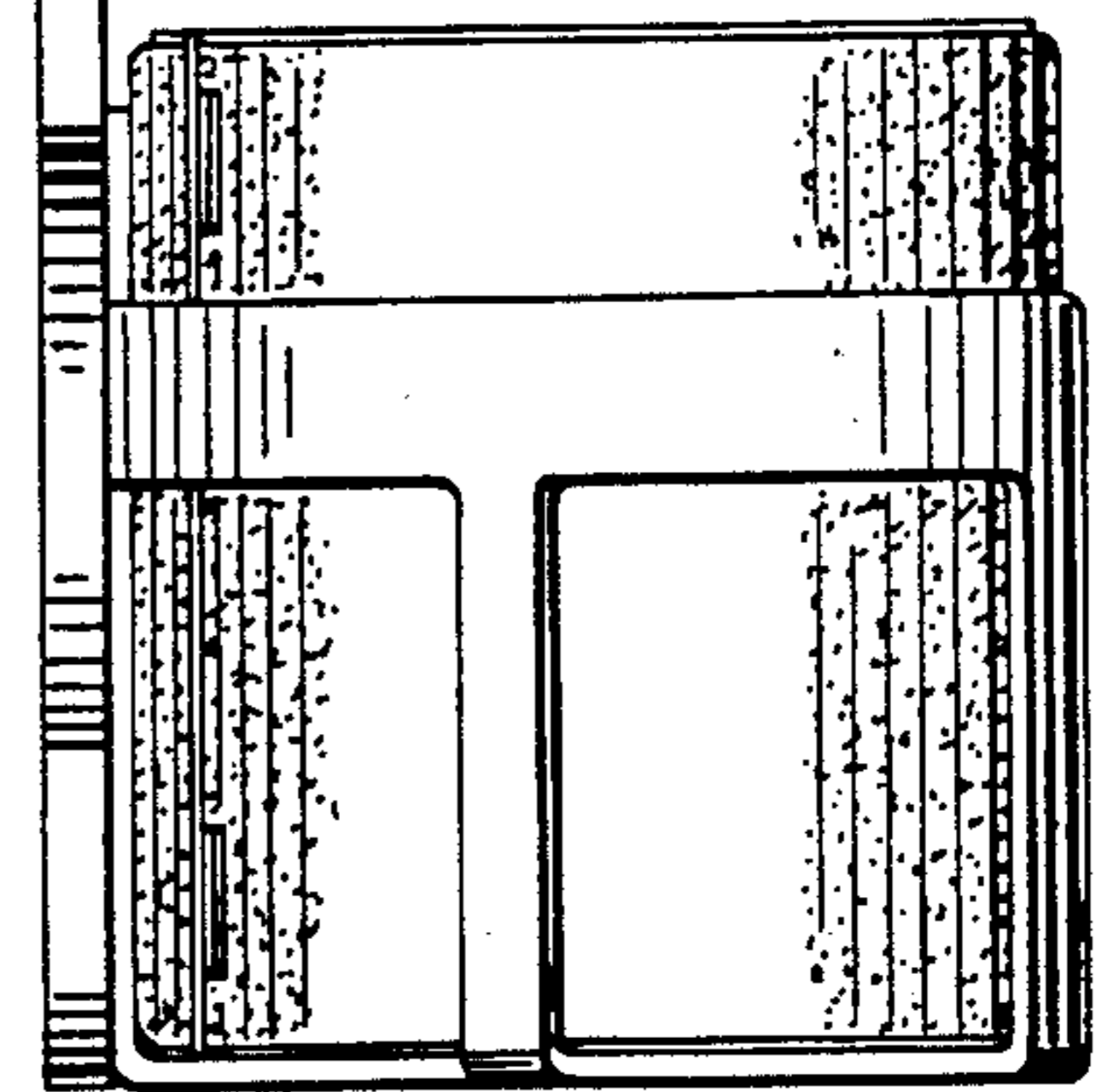


FIG. 5

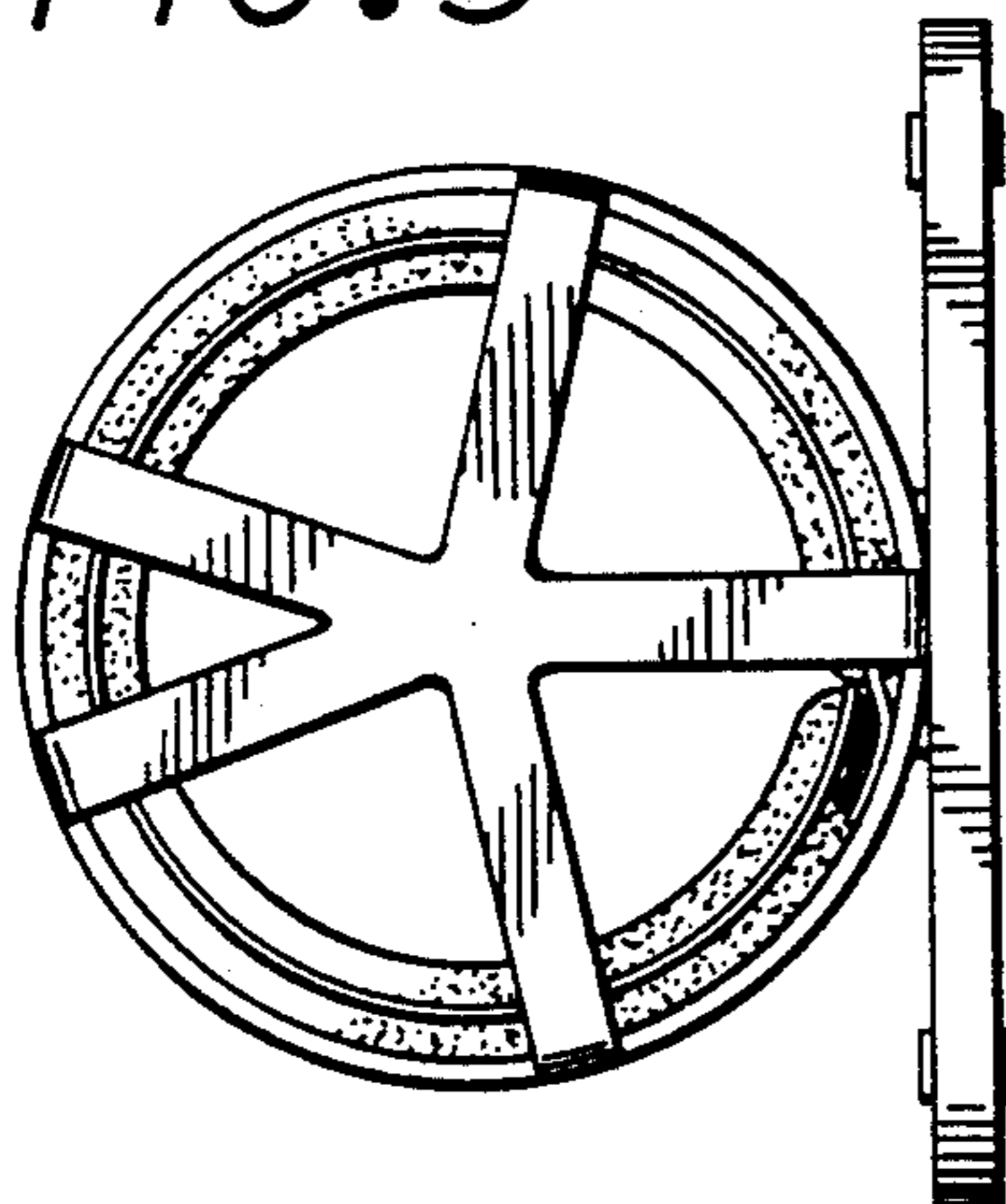
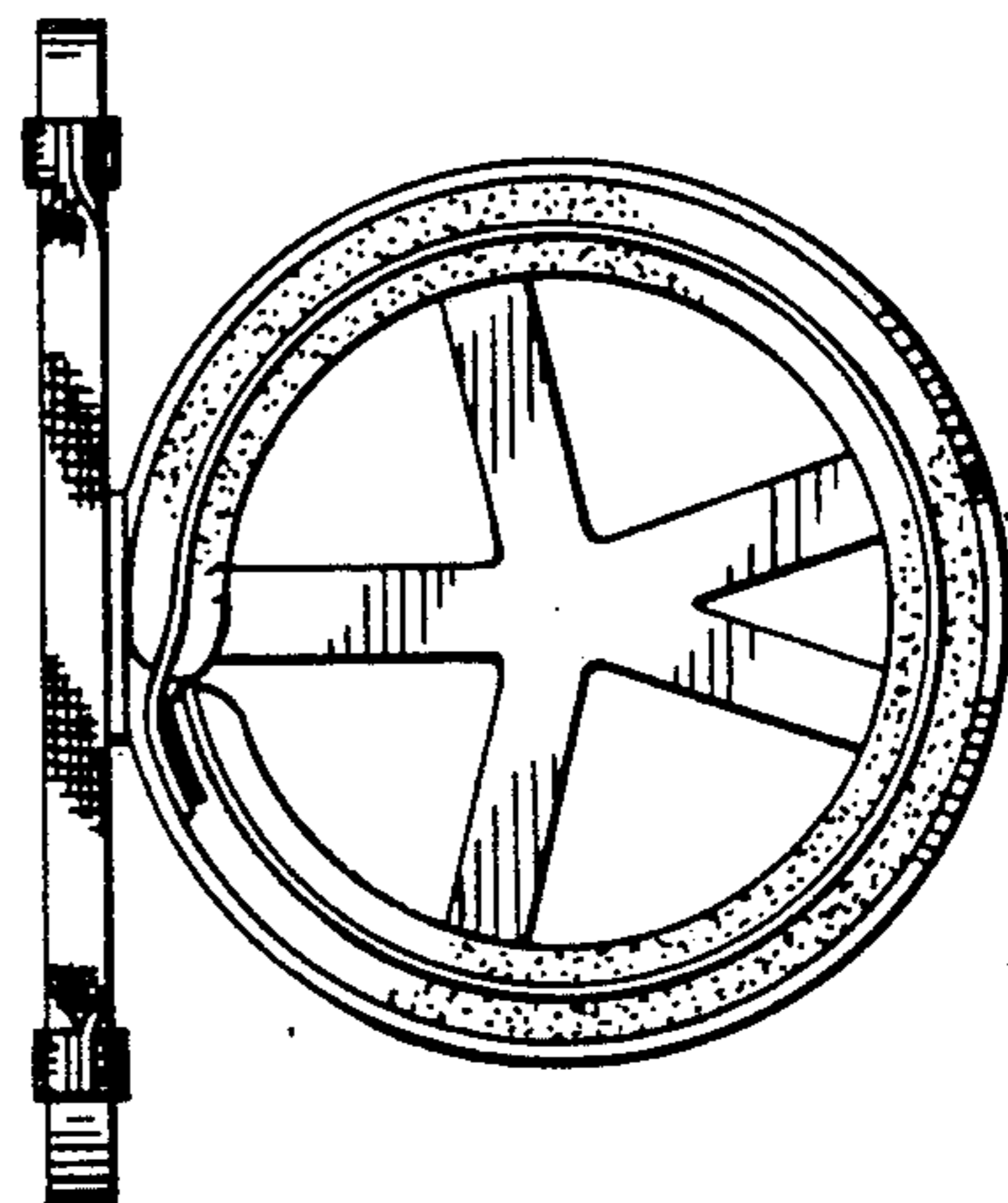


FIG. 6



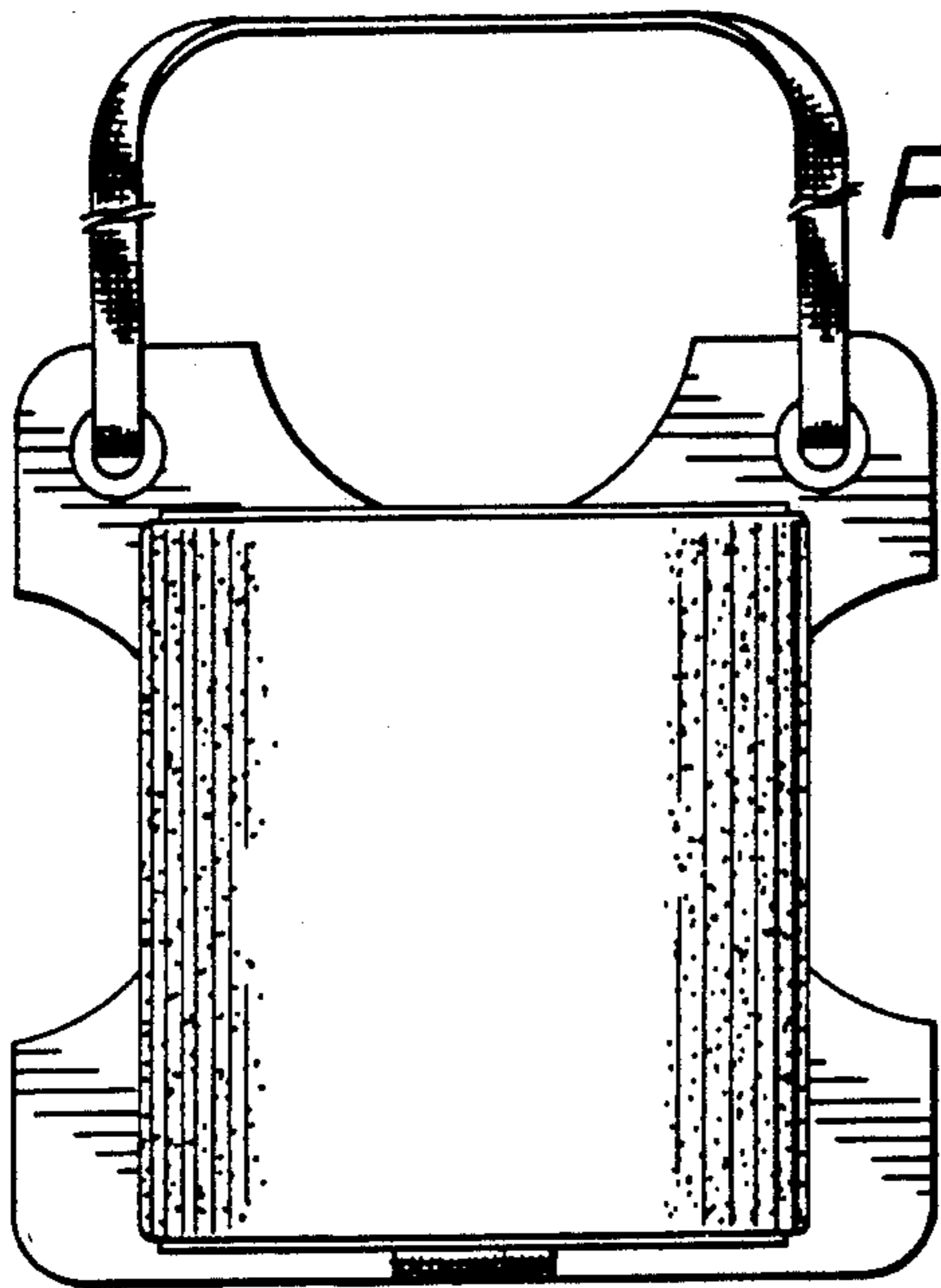


FIG. 7

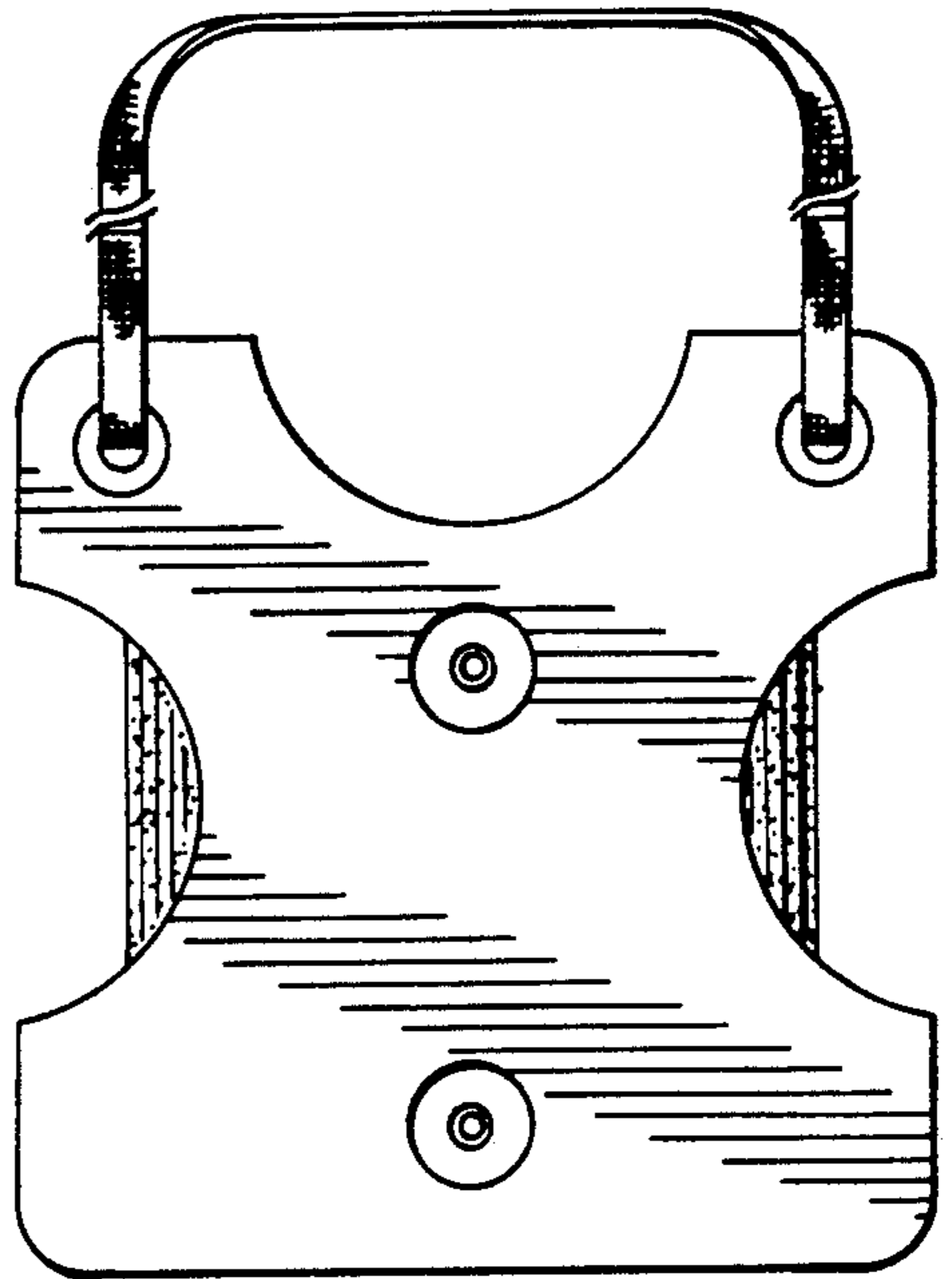


FIG. 8

FIG. 9

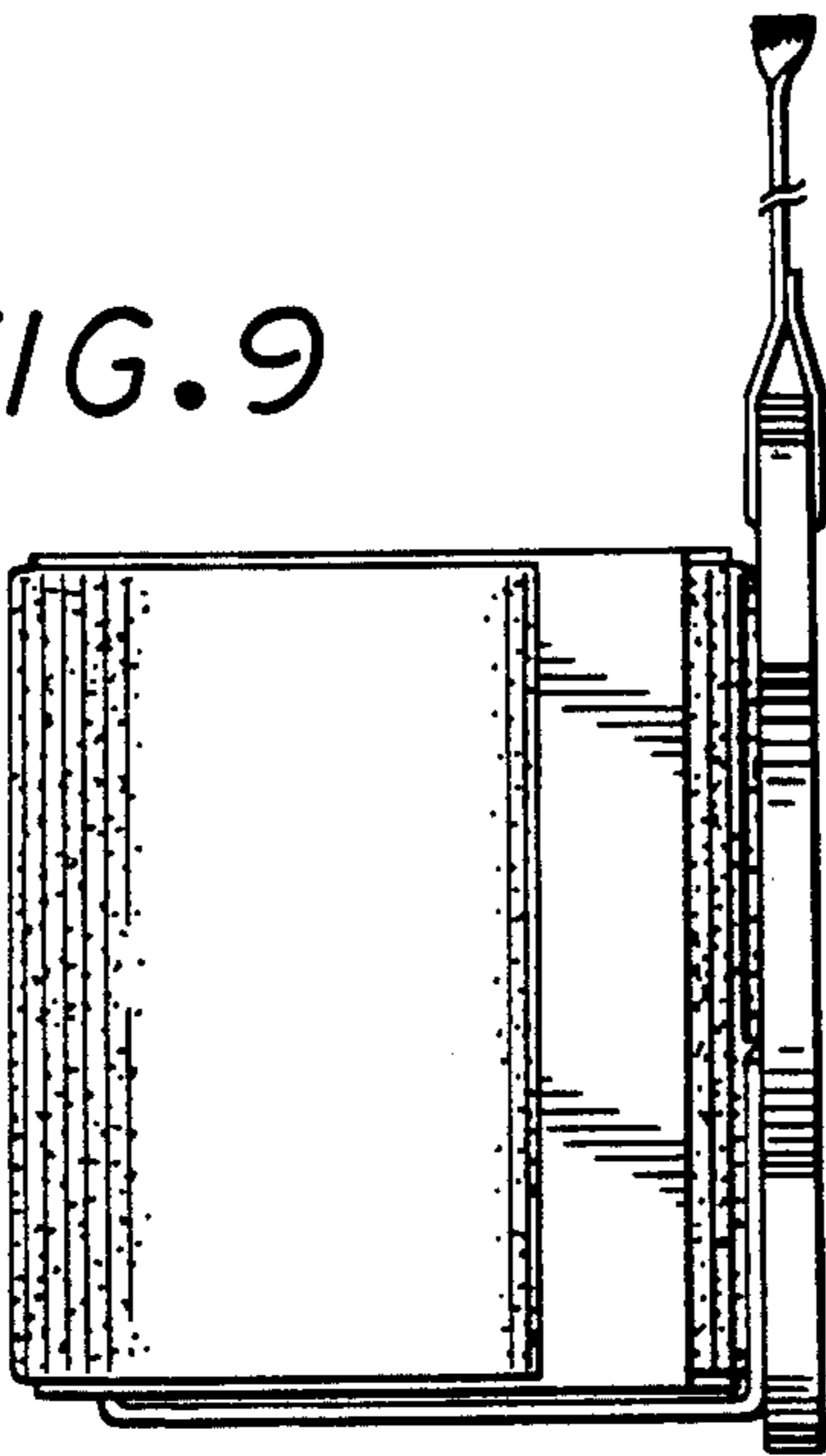


FIG. 10

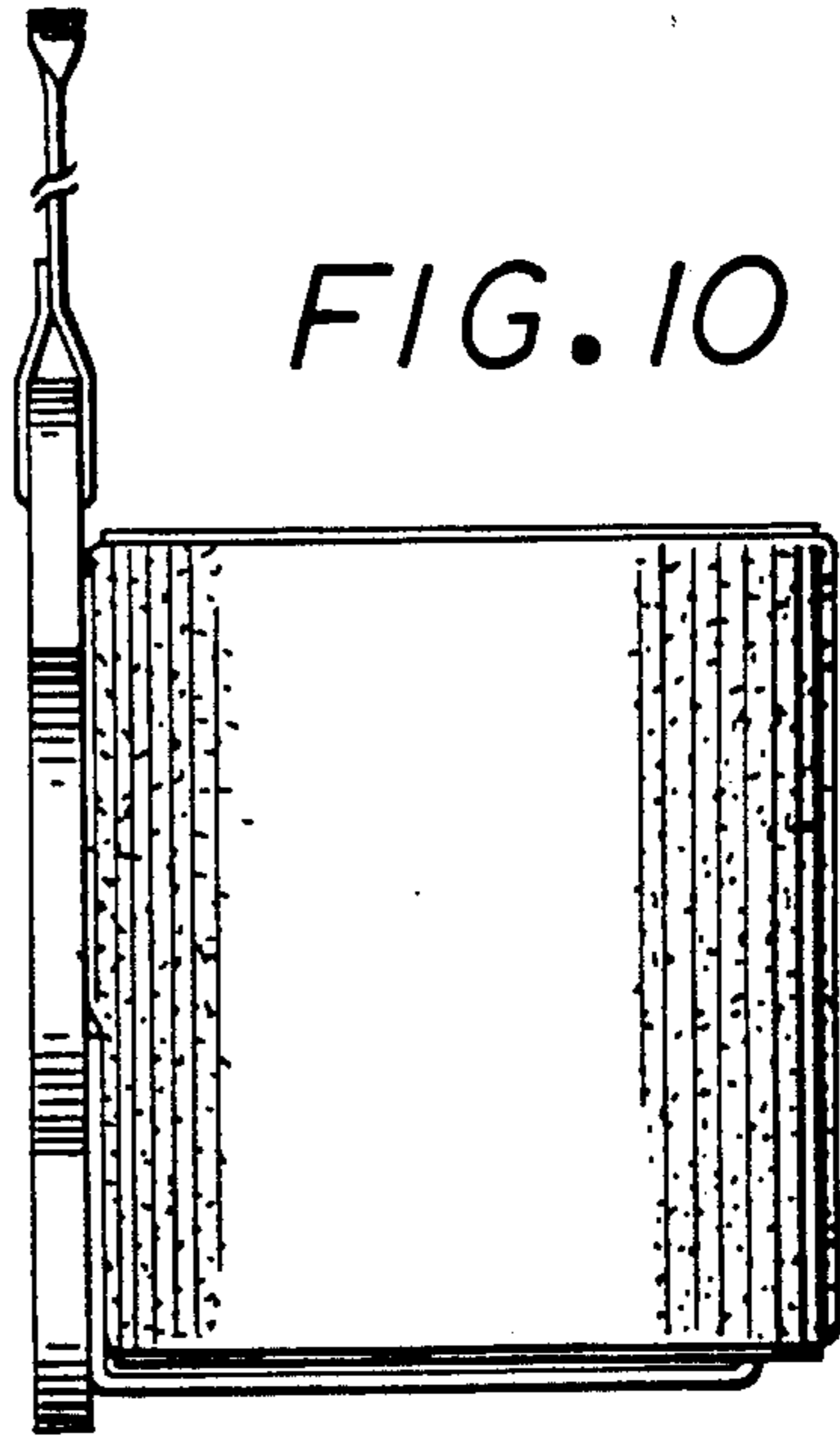


FIG. 11

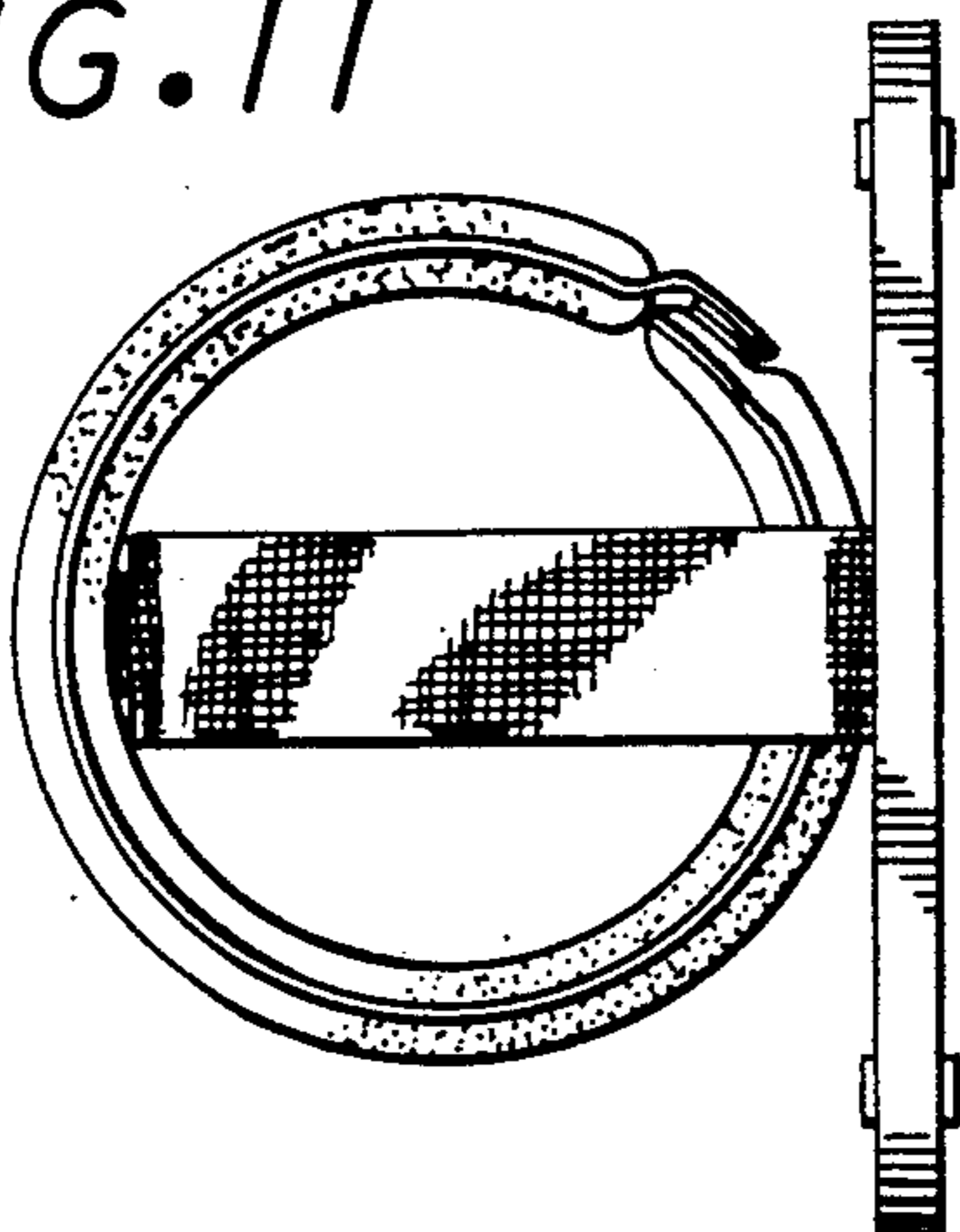


FIG. 12

