

[54] BUTTER DISH

[76] Inventor: Edward J. Hollins, 407 Locust Ave.,
Andalusia, Pa. 19020

[**] Term: 14 Years

[21] Appl. No.: 334,874

[22] Filed: Apr. 6, 1989

[52] U.S. Cl. D7/502

[58] Field of Search D7/502, 670, 601-602,
D7/629; D9/415, 431, 309; 220/345, 346

[56] References Cited

U.S. PATENT DOCUMENTS

D. 264,791	6/1982	Conti	D9/341	X
2,589,349	3/1952	Diefenbach	220/345	X
3,854,649	12/1974	Wagner et al.	220/345	X
3,927,820	12/1975	Wagner et al.	220/345	X

OTHER PUBLICATIONS

New Yorker, 8/18/51, inside rear cover, Condiment holder.

Primary Examiner—Terry A. Pfeffer

[57] CLAIM

The ornamental design for a butter dish, as shown and described.

DESCRIPTION

FIG. 1 is a perspective view of a butter dish showing my new design;

FIG. 2 is a top plan view thereof;

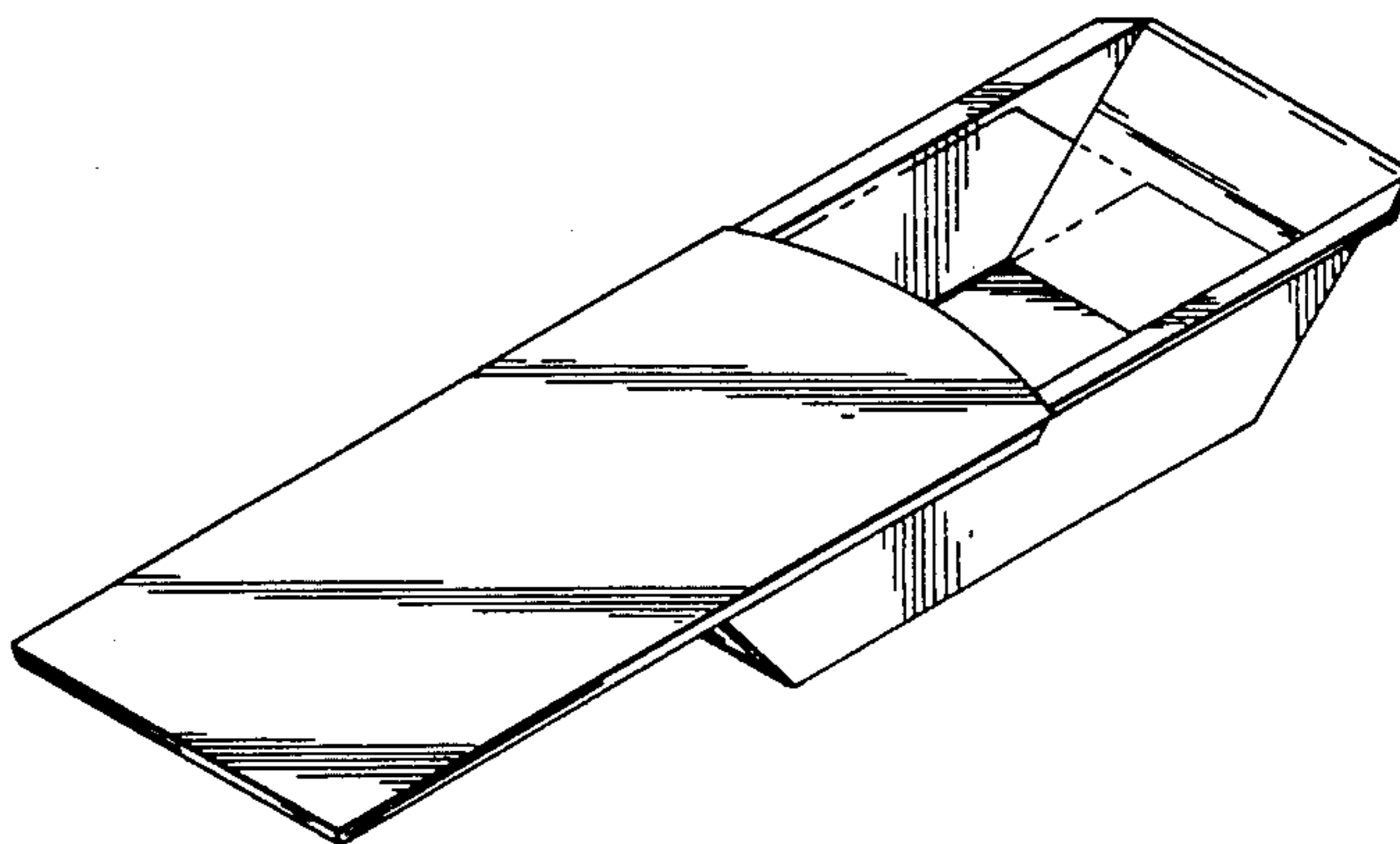
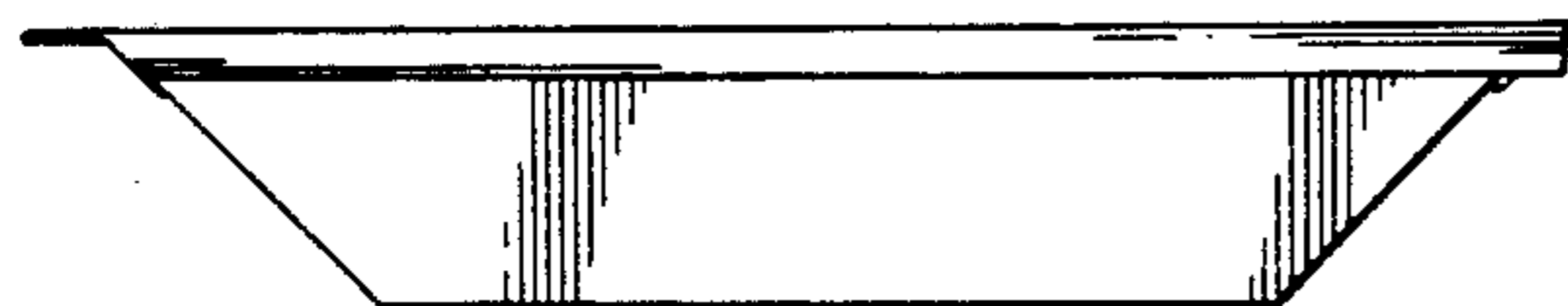
FIG. 3 is a bottom plan view thereof;

FIG. 4 is a left side elevational view thereof, the opposite side being a mirror image;

FIG. 5 is a rear elevational view thereof;

FIG. 6 is a front elevational view thereof; and

FIG. 7 is a perspective view thereof in an open position, the sticks of butter shown in broken lines for clarity of illustration.



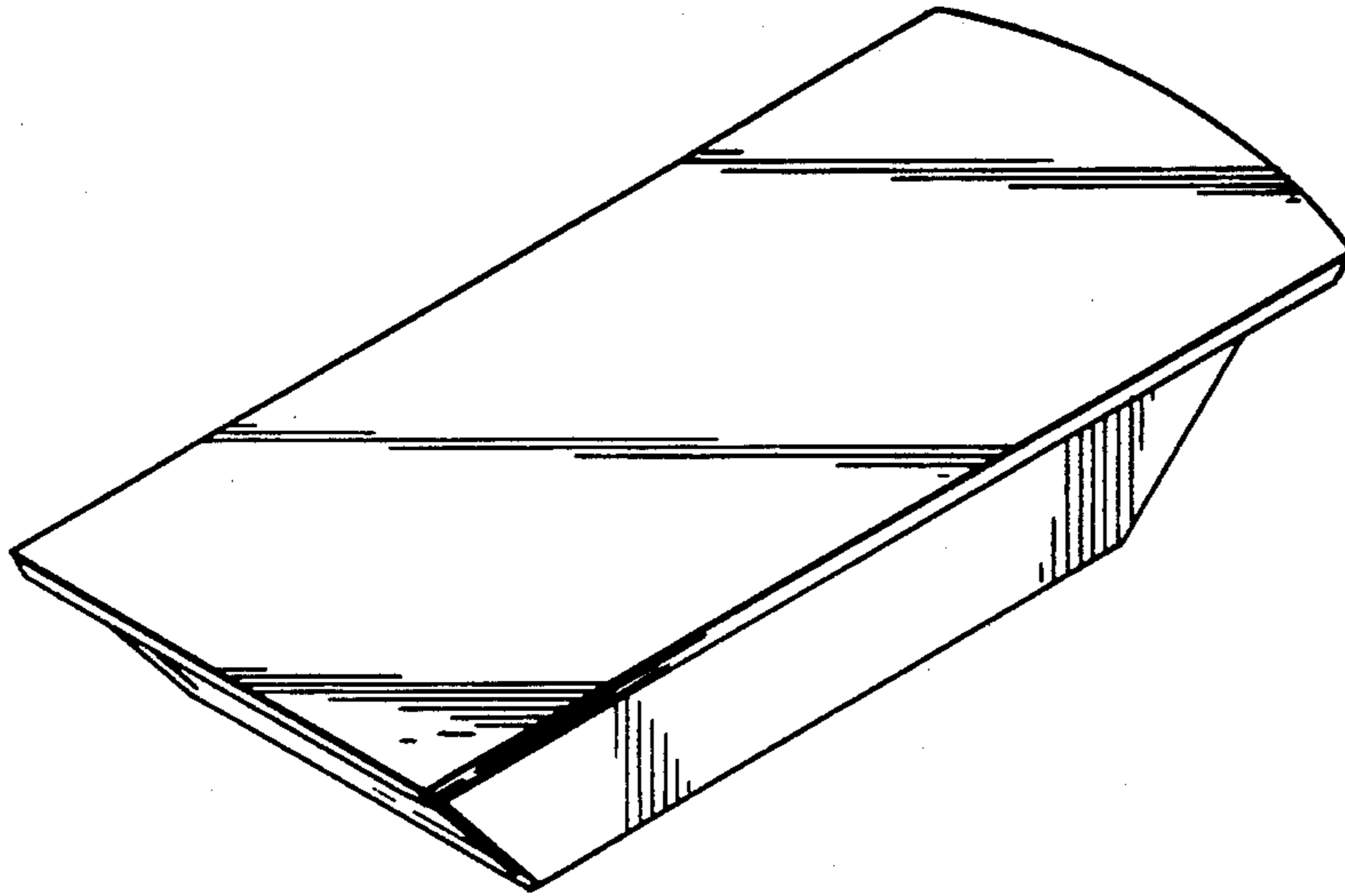


FIG. 1

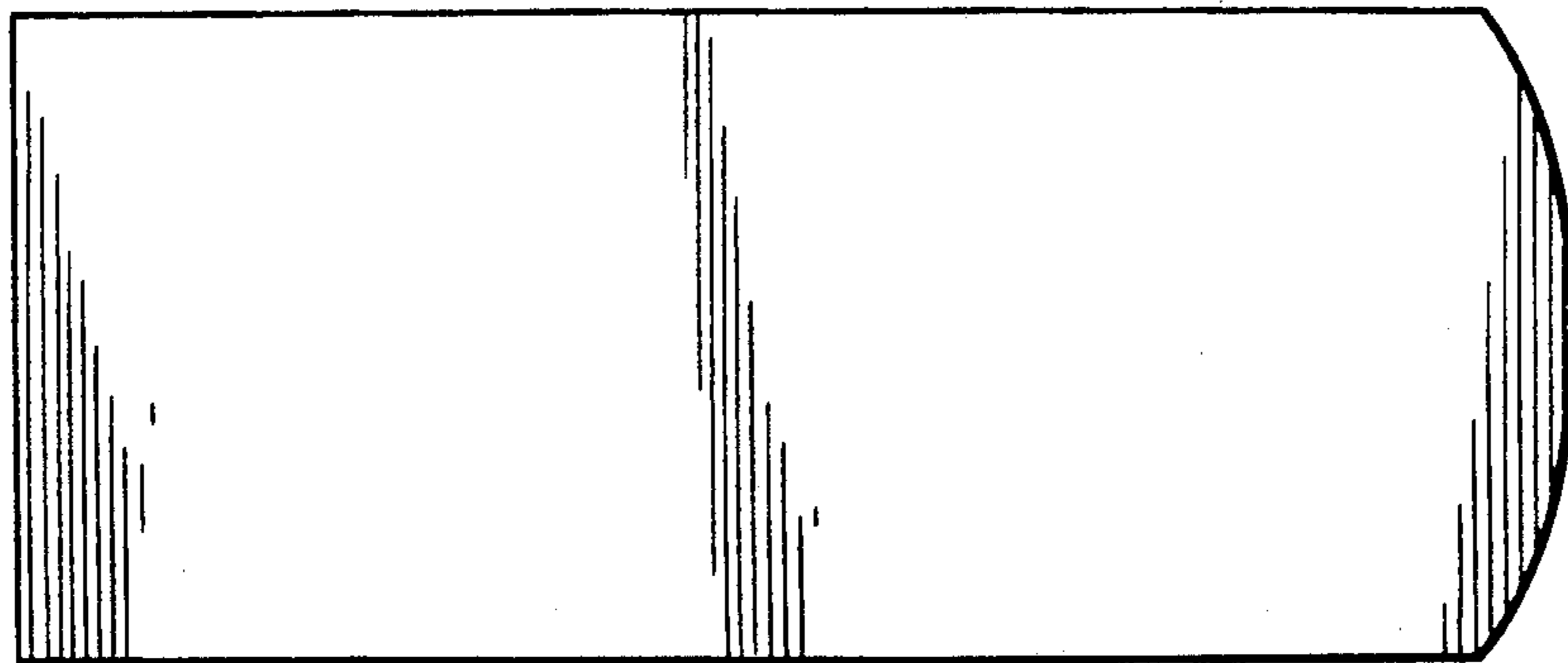


FIG. 2

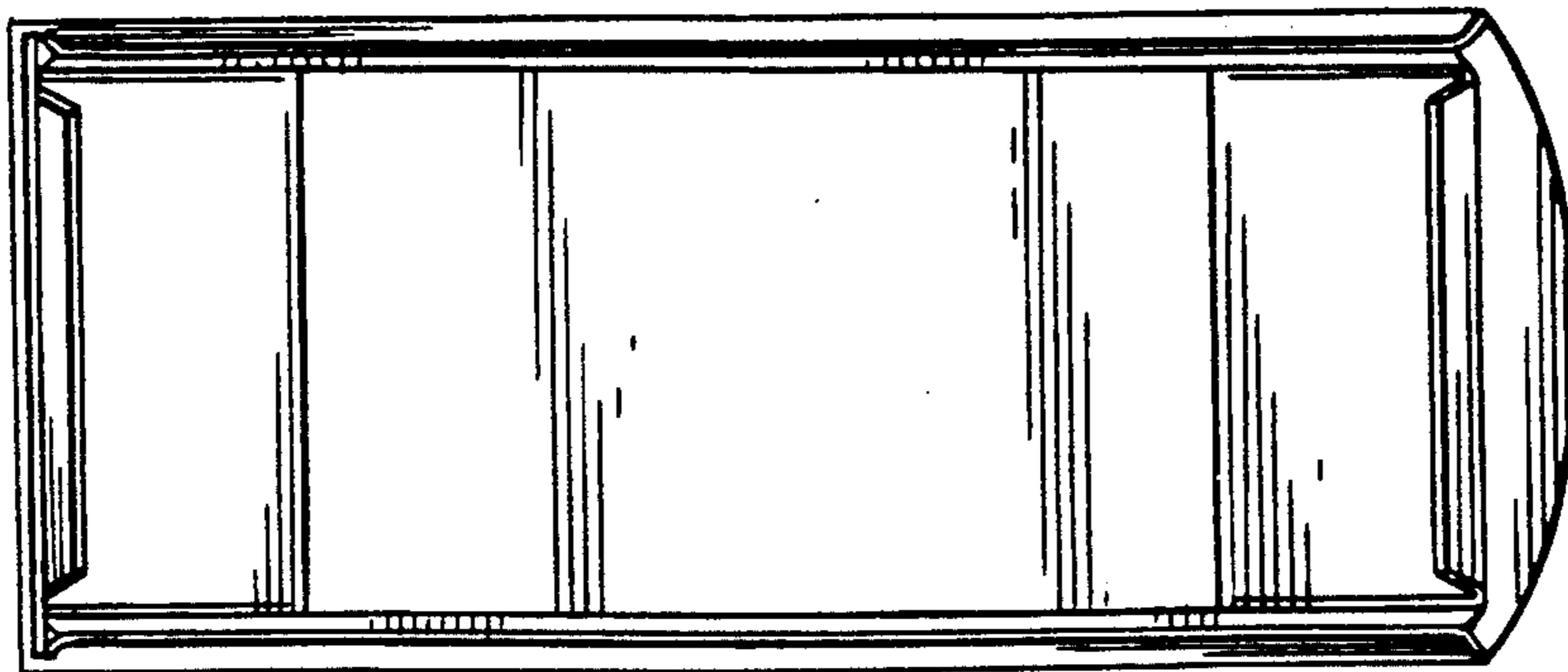


FIG. 3

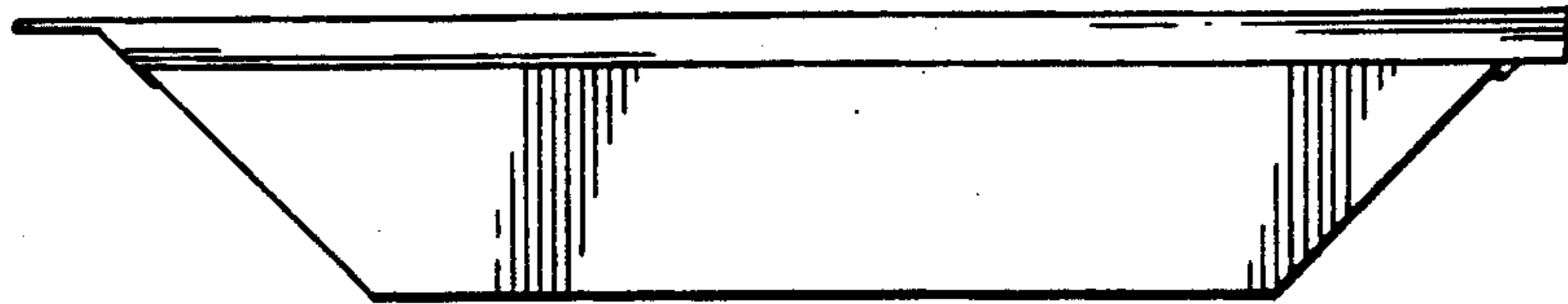


FIG. 4

FIG. 5

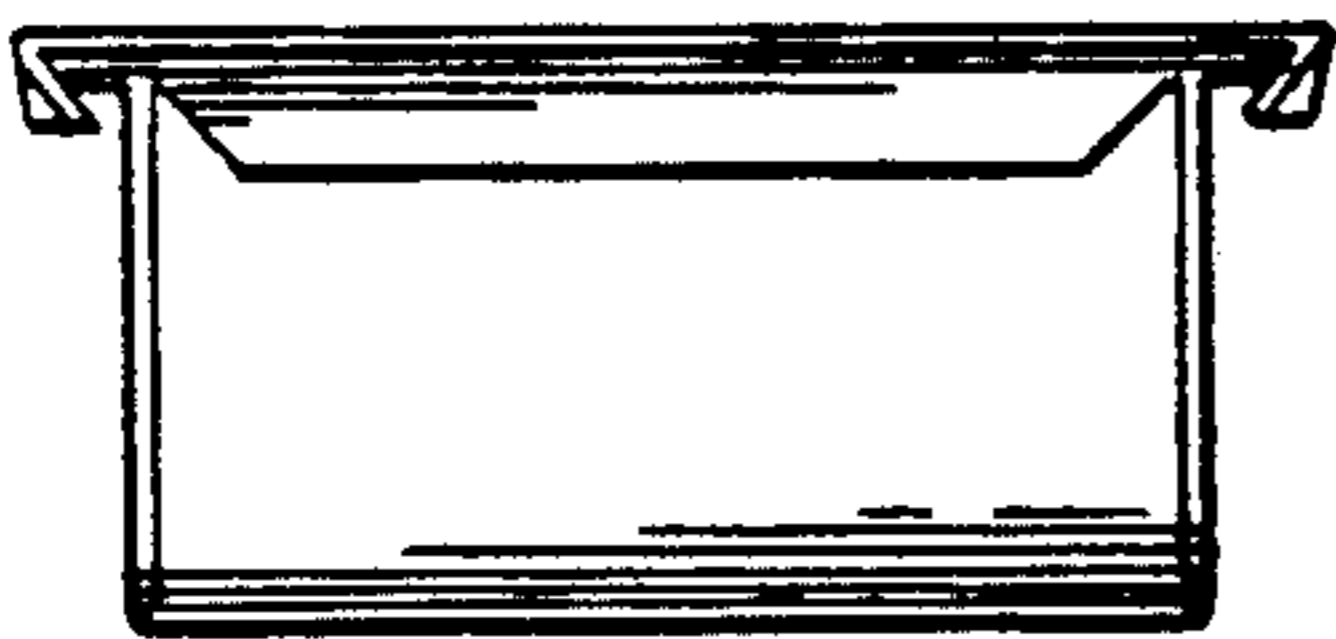


FIG. 6

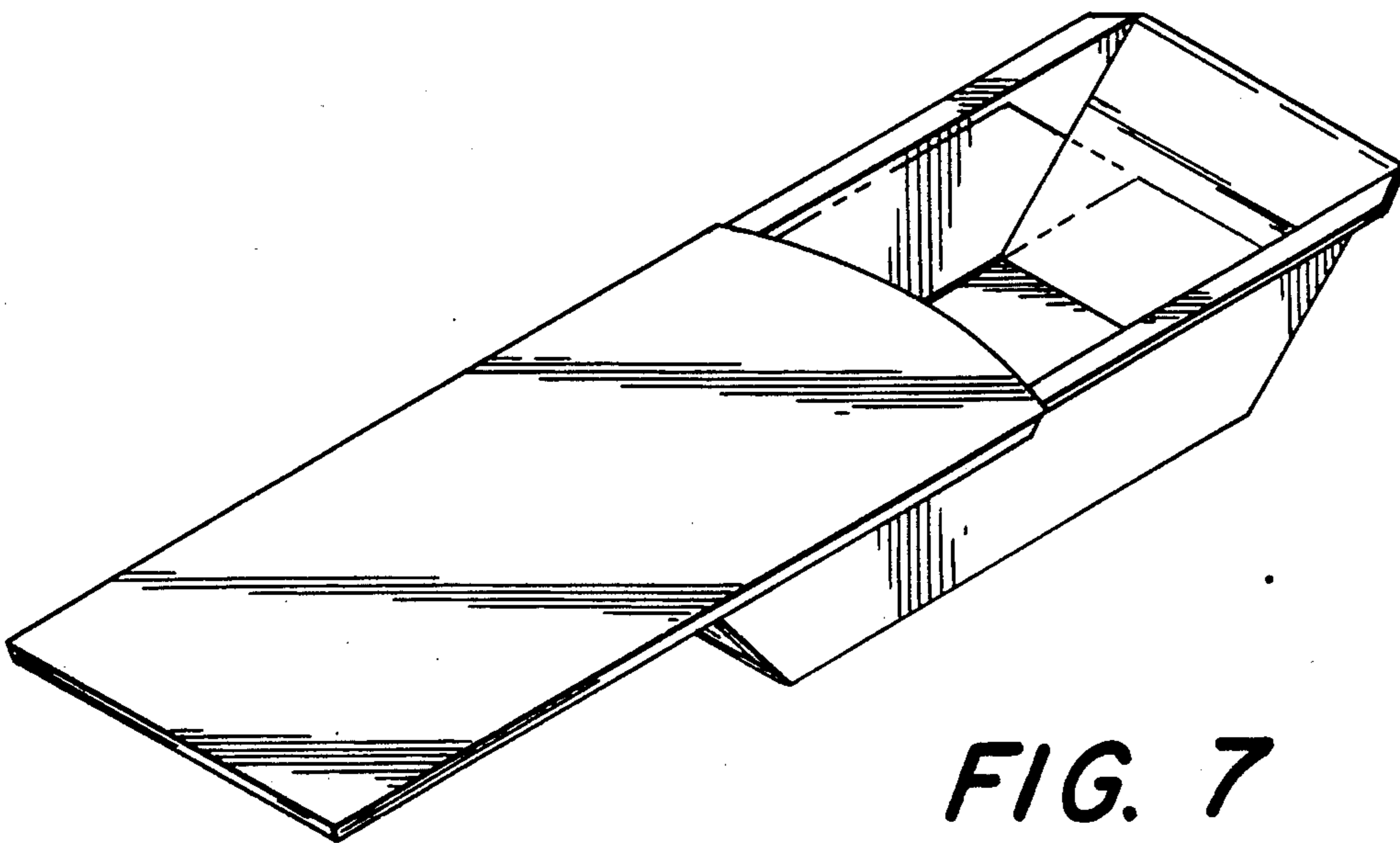
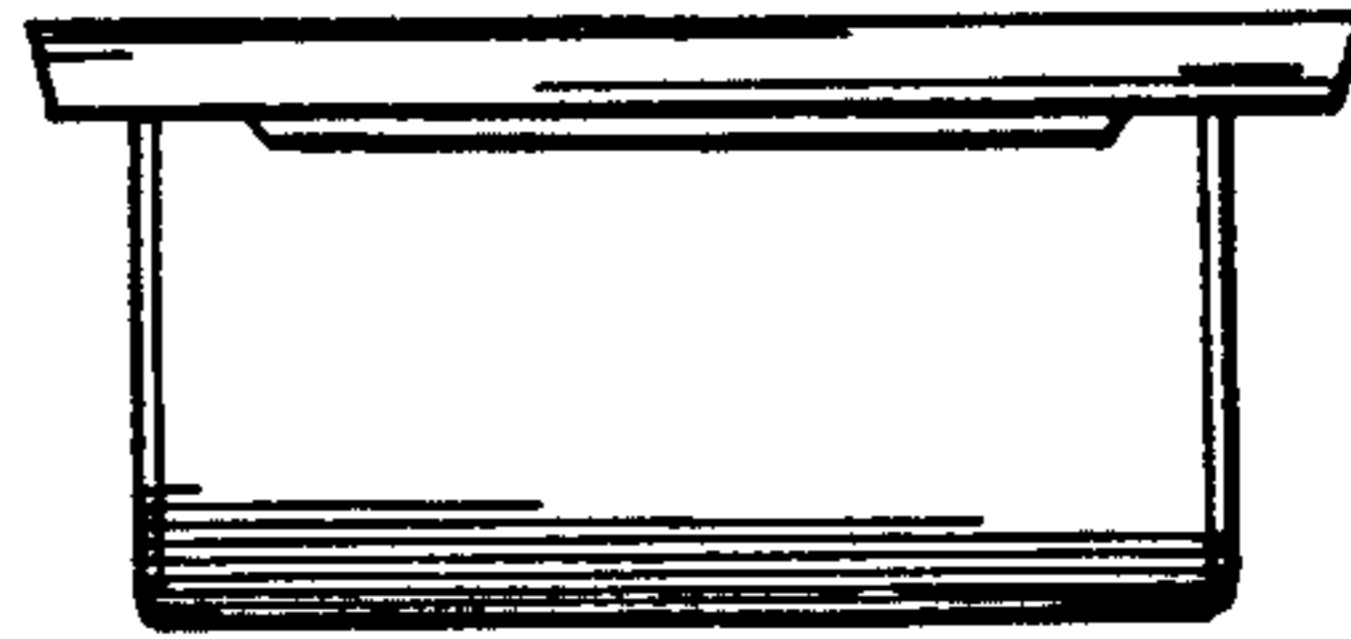


FIG. 7