

[54] **ELECTRICALLY-OPERATED FOOD
COMMUNUTER**

[76] Inventor: **Jean-Louis Barrault**, 102, rue du
Chateau, F-92100
Boulogne-Billancourt, France

[**] Term: **14 Years**

[21] Appl. No.: **215,588**

[22] Filed: **Jul. 5, 1988**

[30] **Foreign Application Priority Data**

Jan. 6, 1988 [FR] France 88 0044

[52] U.S. Cl. **D7/384; D7/372;**
D7/381

[58] Field of Search D7/381, 378, 373, 372,
D7/384, 374, 412-415, 379, 376, 377, 665, 383,
380; 241/169.1, 37.5, 93

[56] **References Cited**

U.S. PATENT DOCUMENTS

D. 269,489 6/1983 Akita D7/372
D. 303,482 9/1989 Barrault D7/381
4,844,352 7/1989 Griffin 241/169.1

OTHER PUBLICATIONS

Hammacher Schlemmer, Spring Supplement 1986, p. 61,
top r. panel "Le Petit Electric Mincer", Item #21033H.
Bloomington's/Wash. Post Magazine Suppl., Nov. 9,
1986, p. 10, Cuisinart "Mini-Mate" Chopper/Grin-
der-top middle panel.

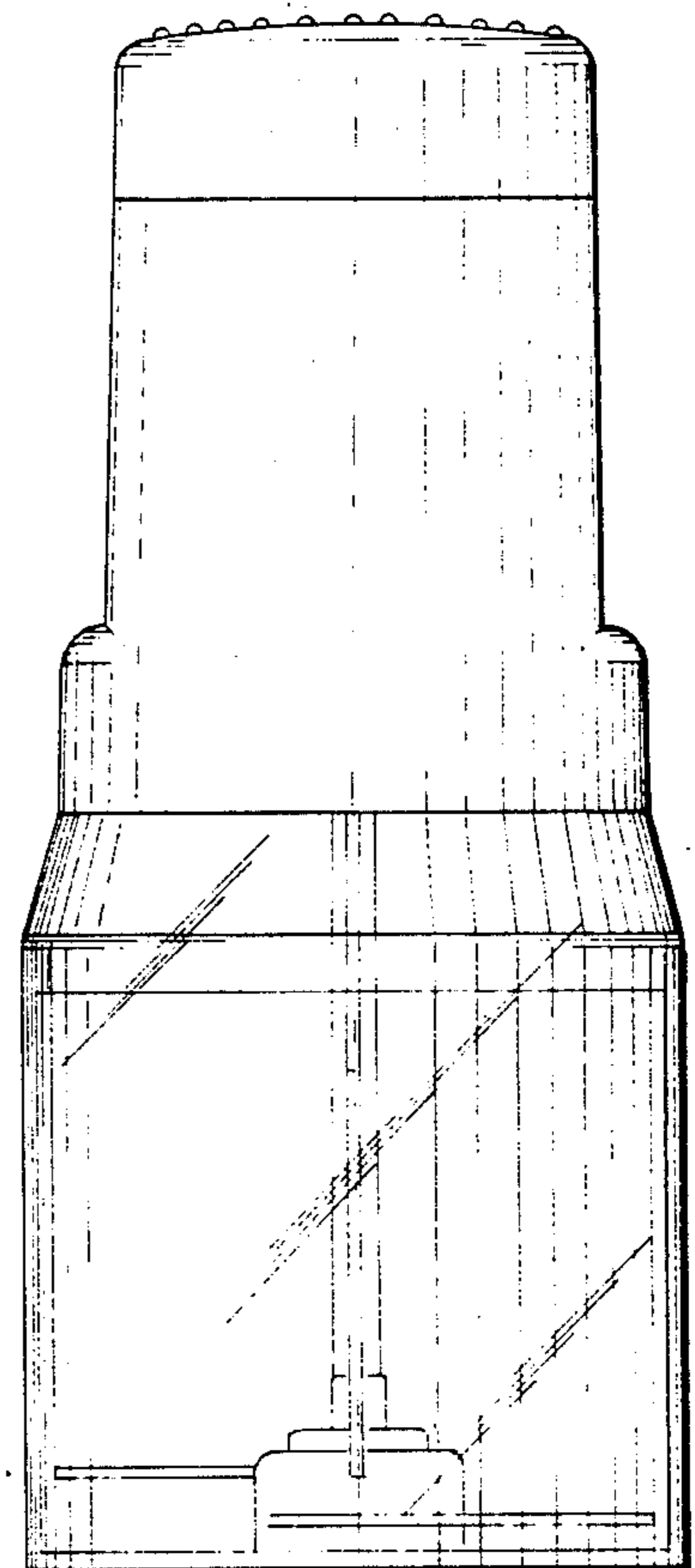
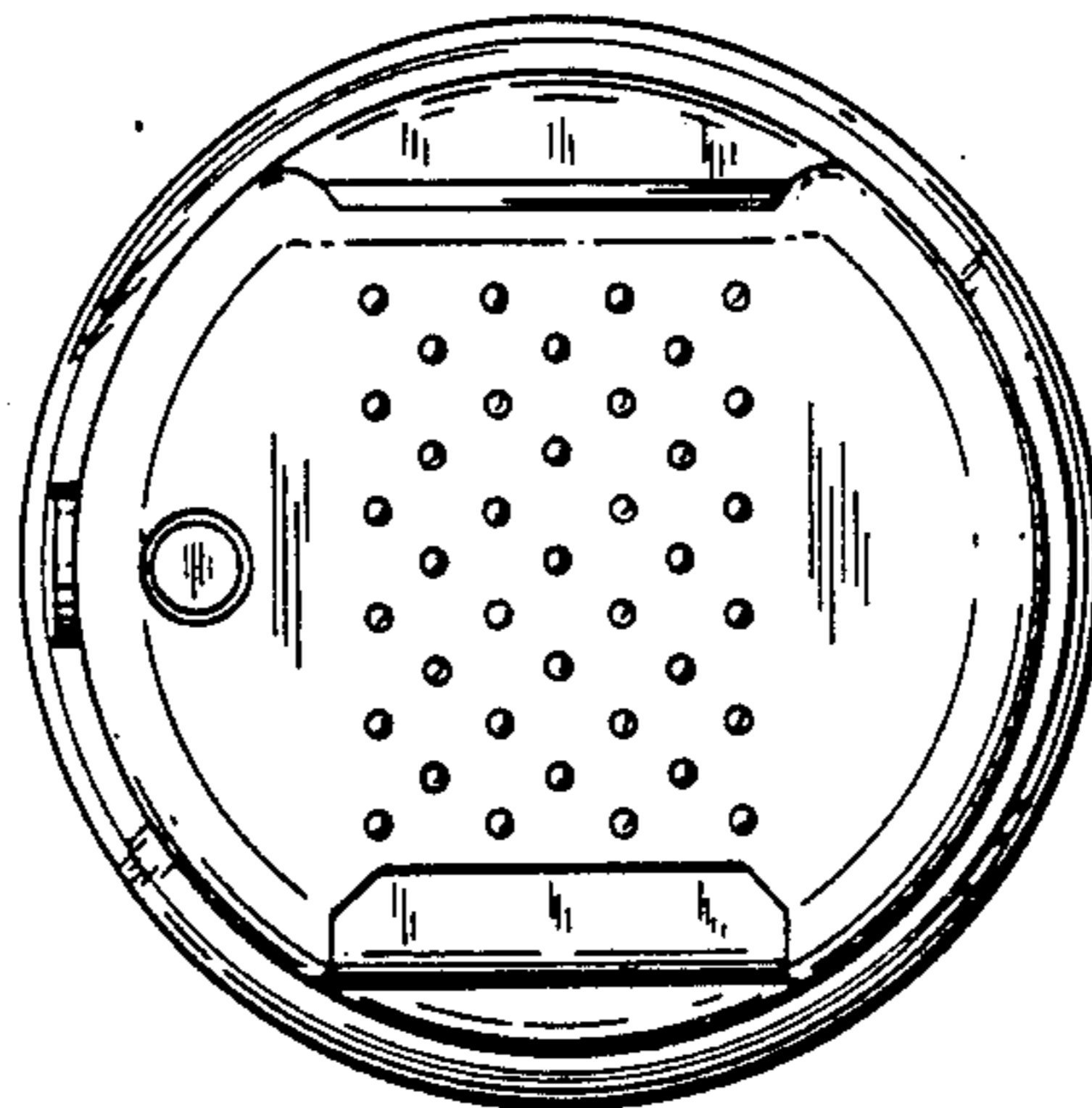
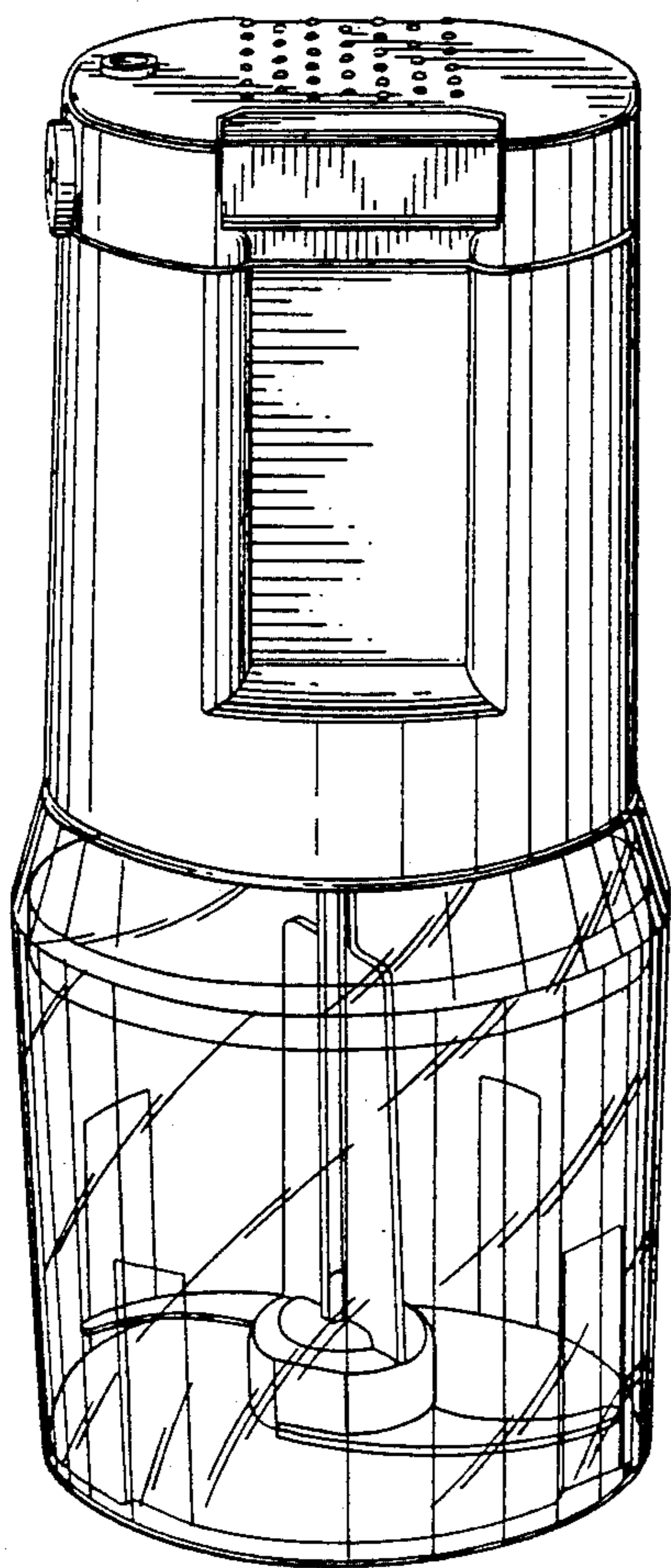
Primary Examiner—Winifred E. Herrmann
Attorney, Agent, or Firm—Young & Thompson

[57] **CLAIM**

The ornamental design for an electrically-operated food
communuter, as shown.

DESCRIPTION

FIG. 1 is a front perspective view of an electrically-
operated food communuter showing my new design;
FIG. 2 is a right side perspective view thereof;
FIG. 3 is a left side perspective view thereof;
FIG. 4 is a rear perspective view thereof;
FIG. 5 is a top plan view thereof;
FIG. 6 is a bottom plan view thereof;
FIG. 7 is a right side elevational view thereof; and
FIG. 8 is a rear elevational view thereof.



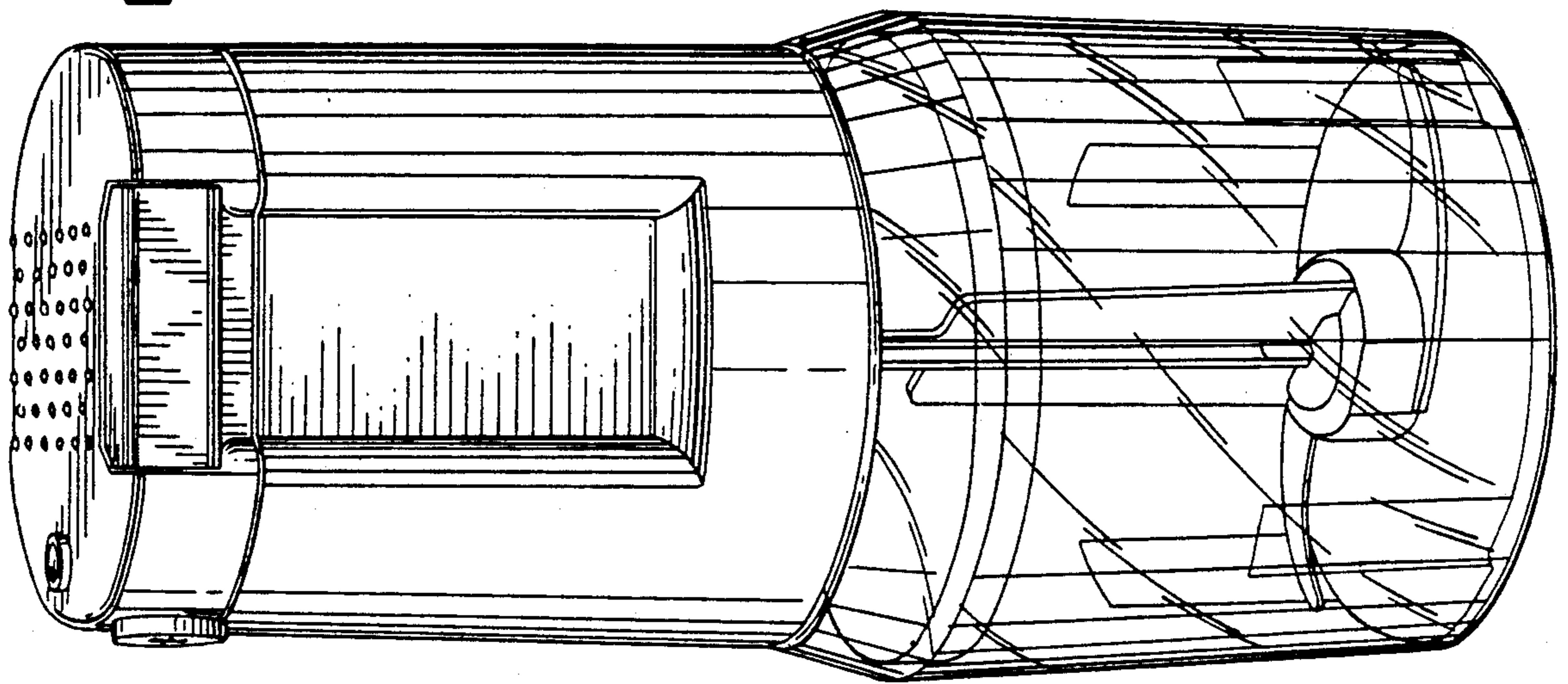


FIG. 1

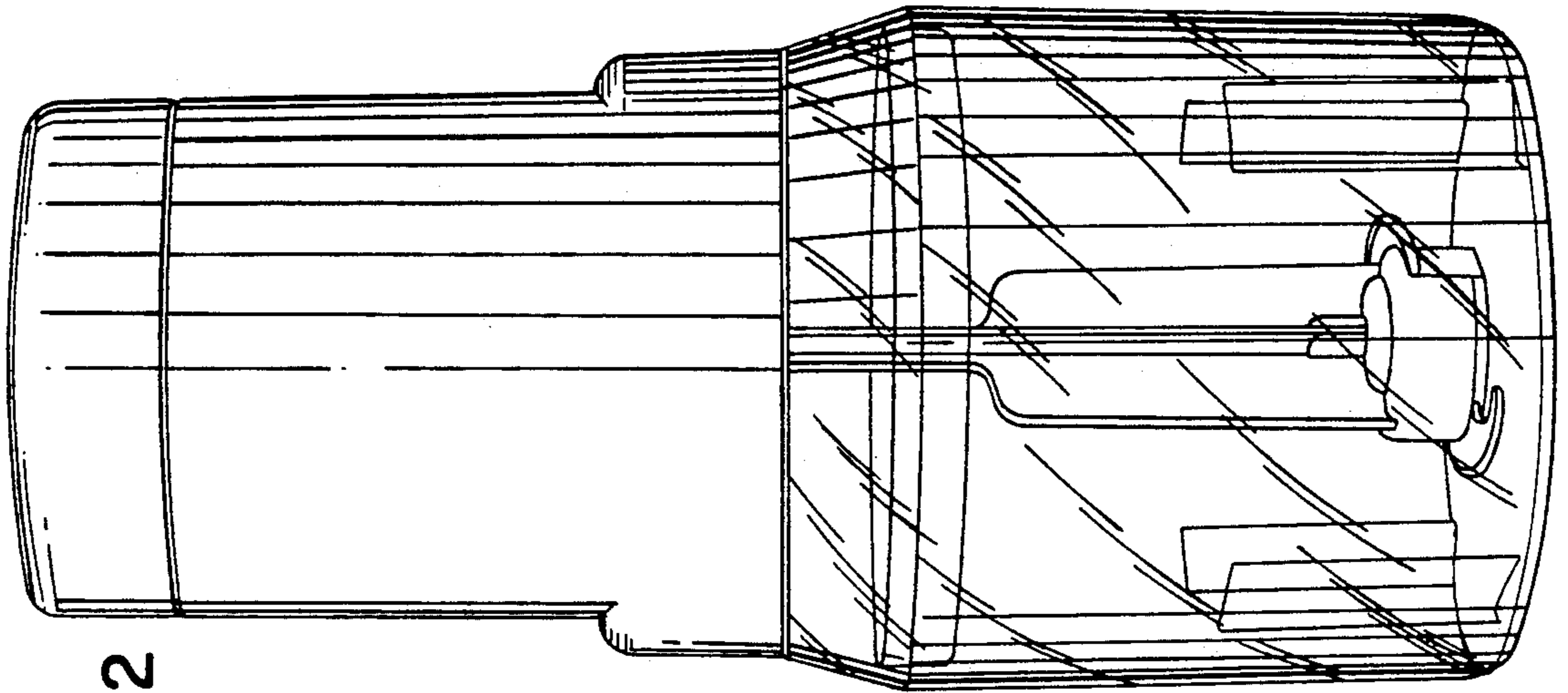


FIG. 2

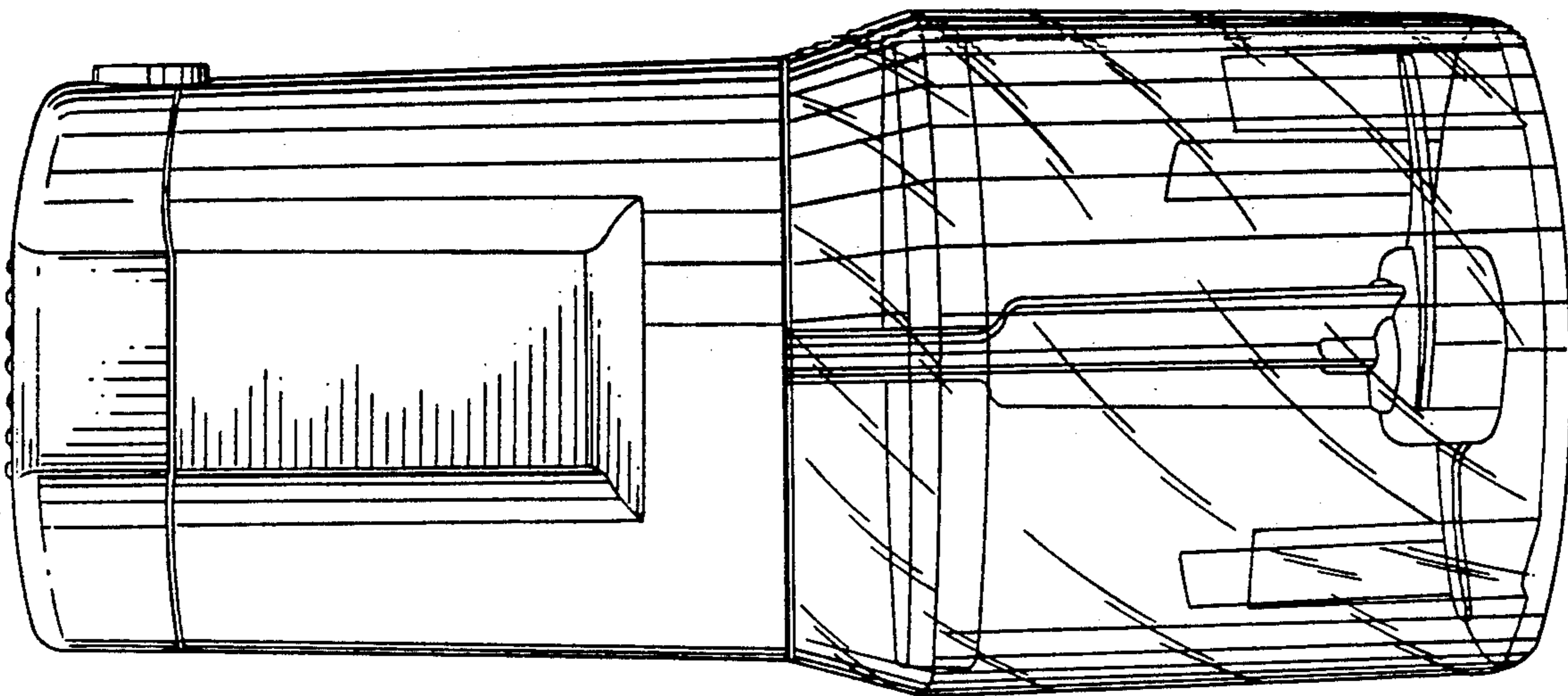


FIG. 4

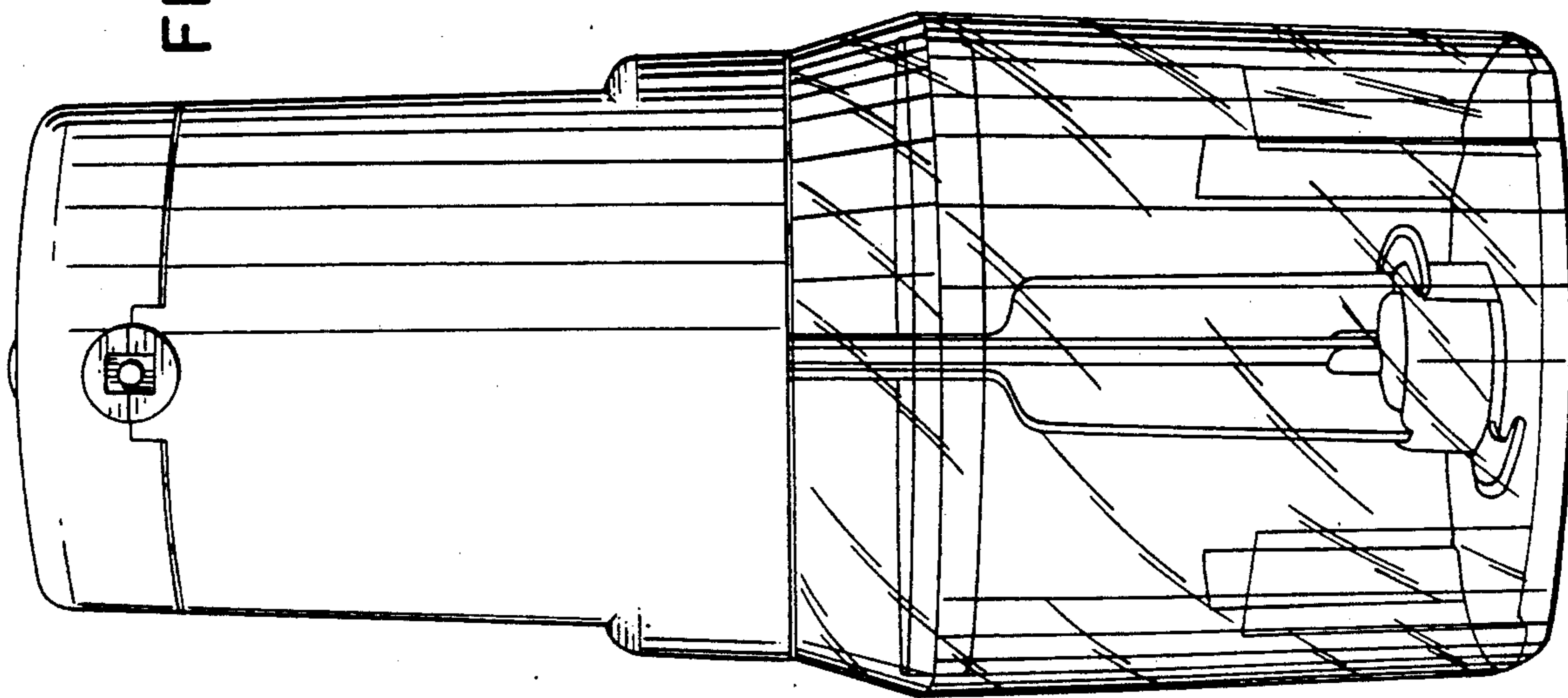


FIG. 3

FIG. 5

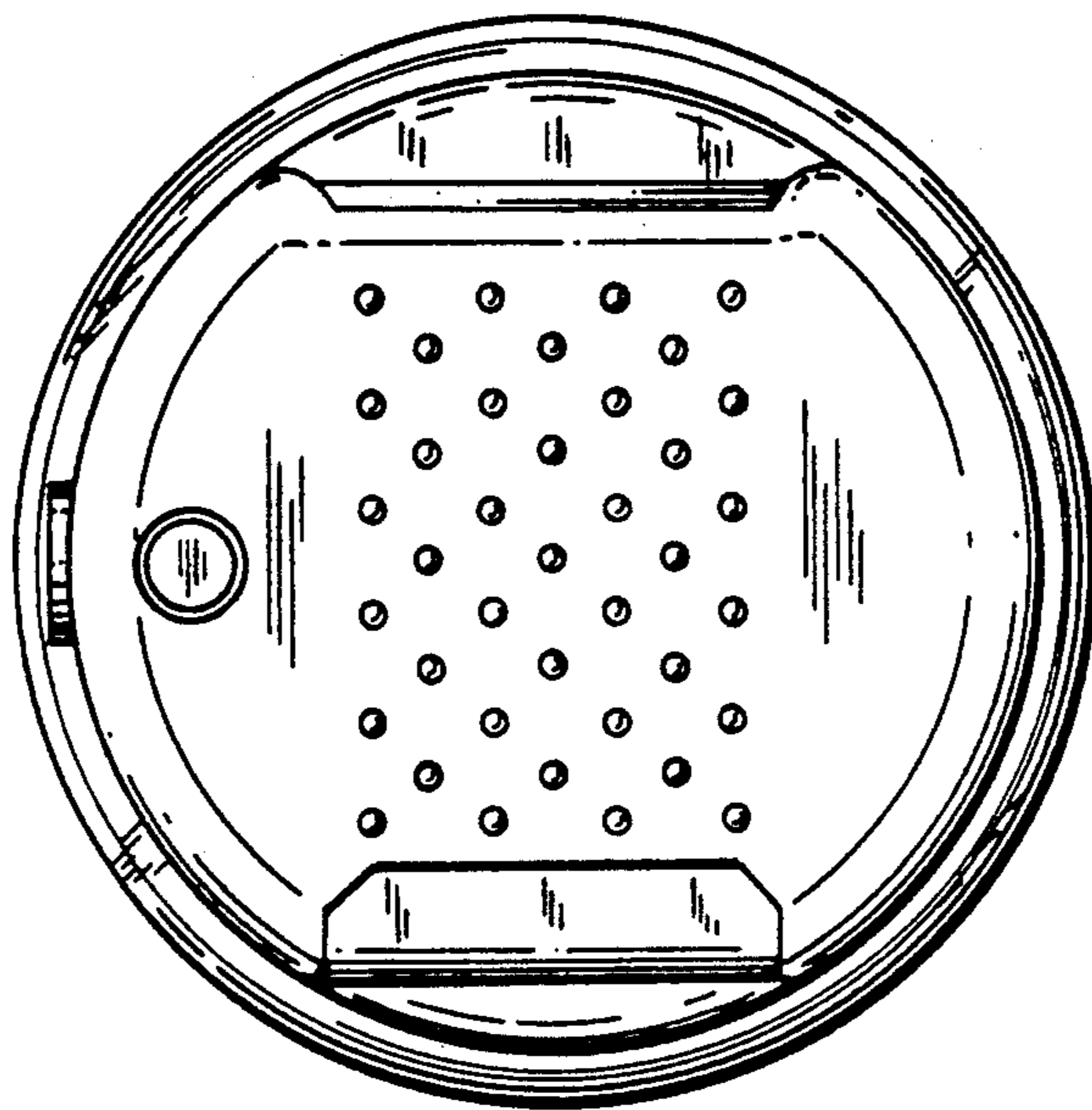
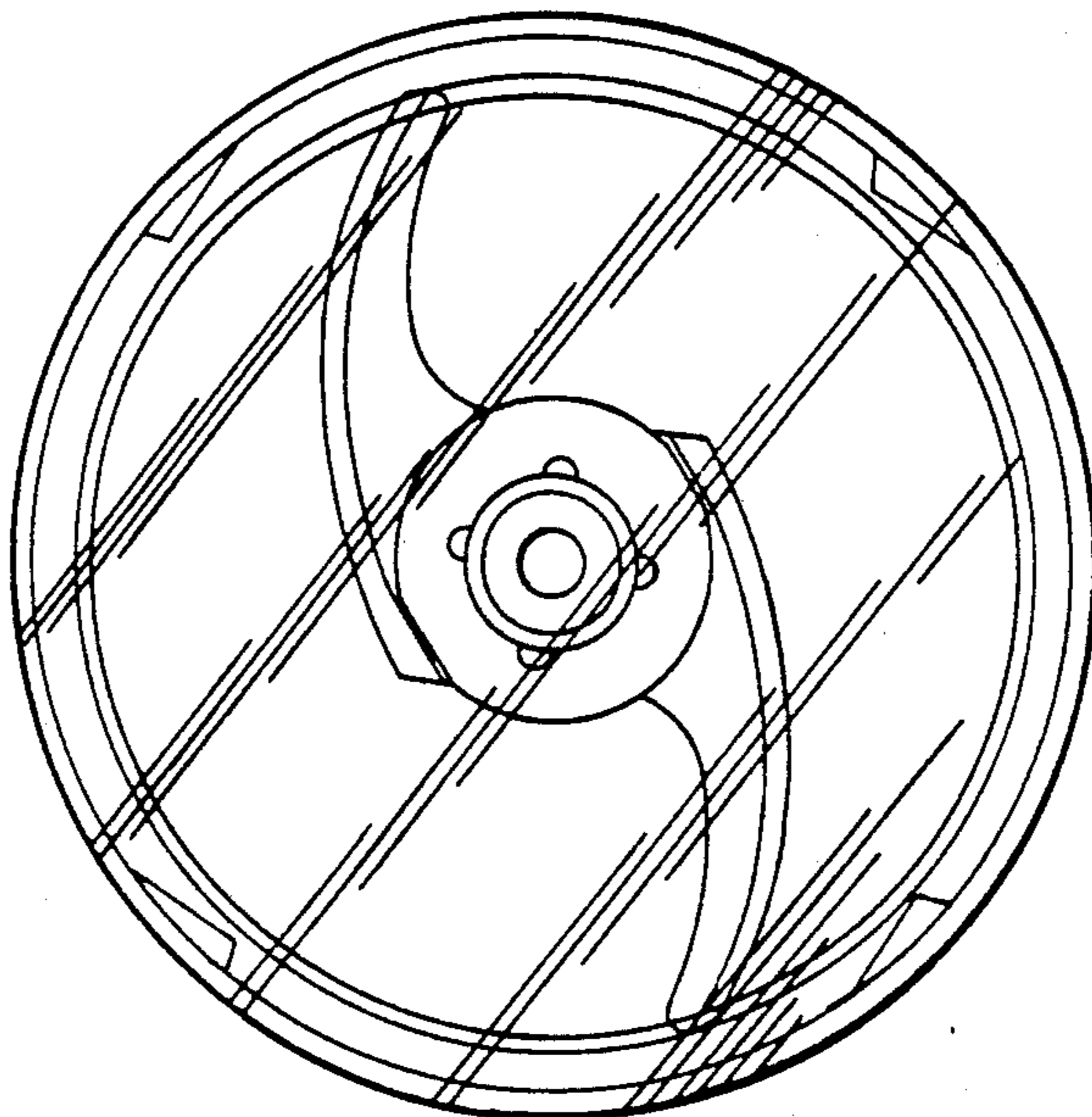


FIG. 6



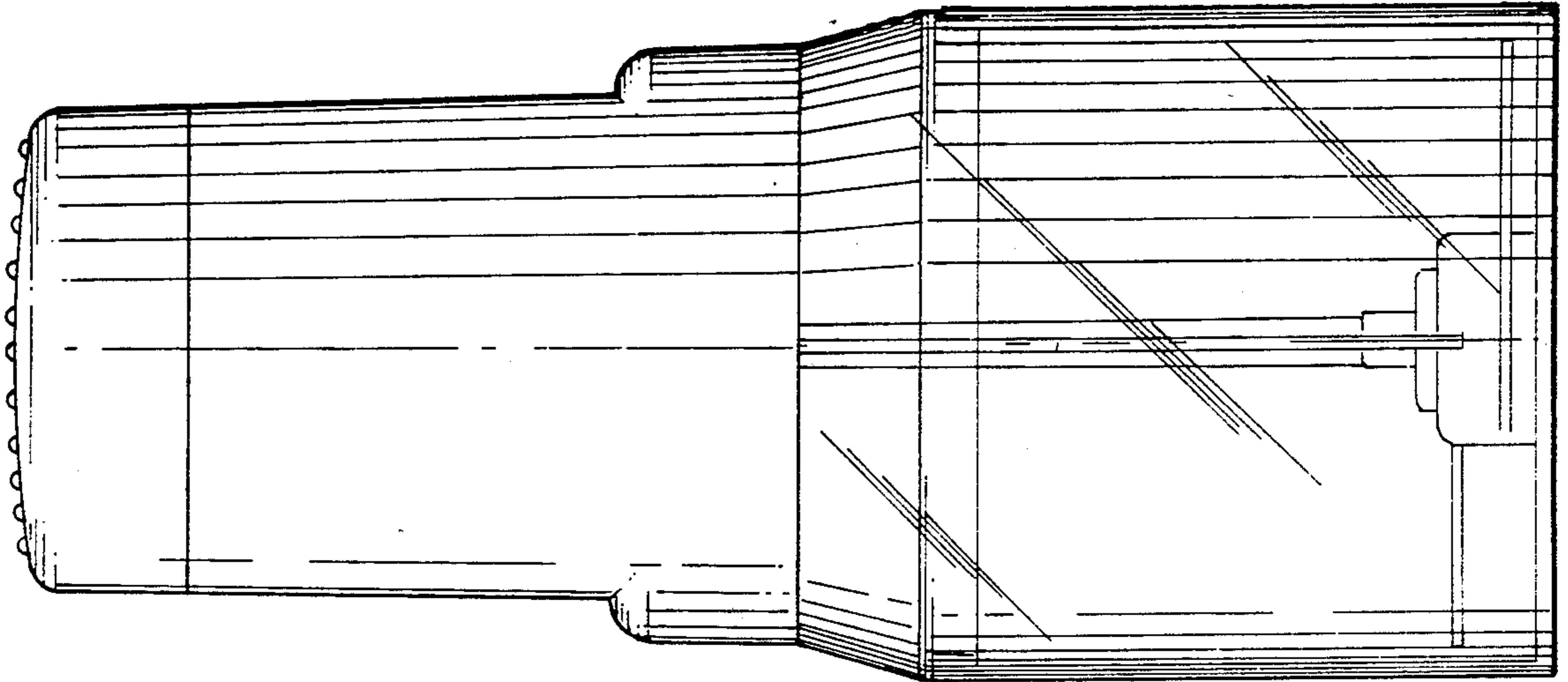


FIG. 8

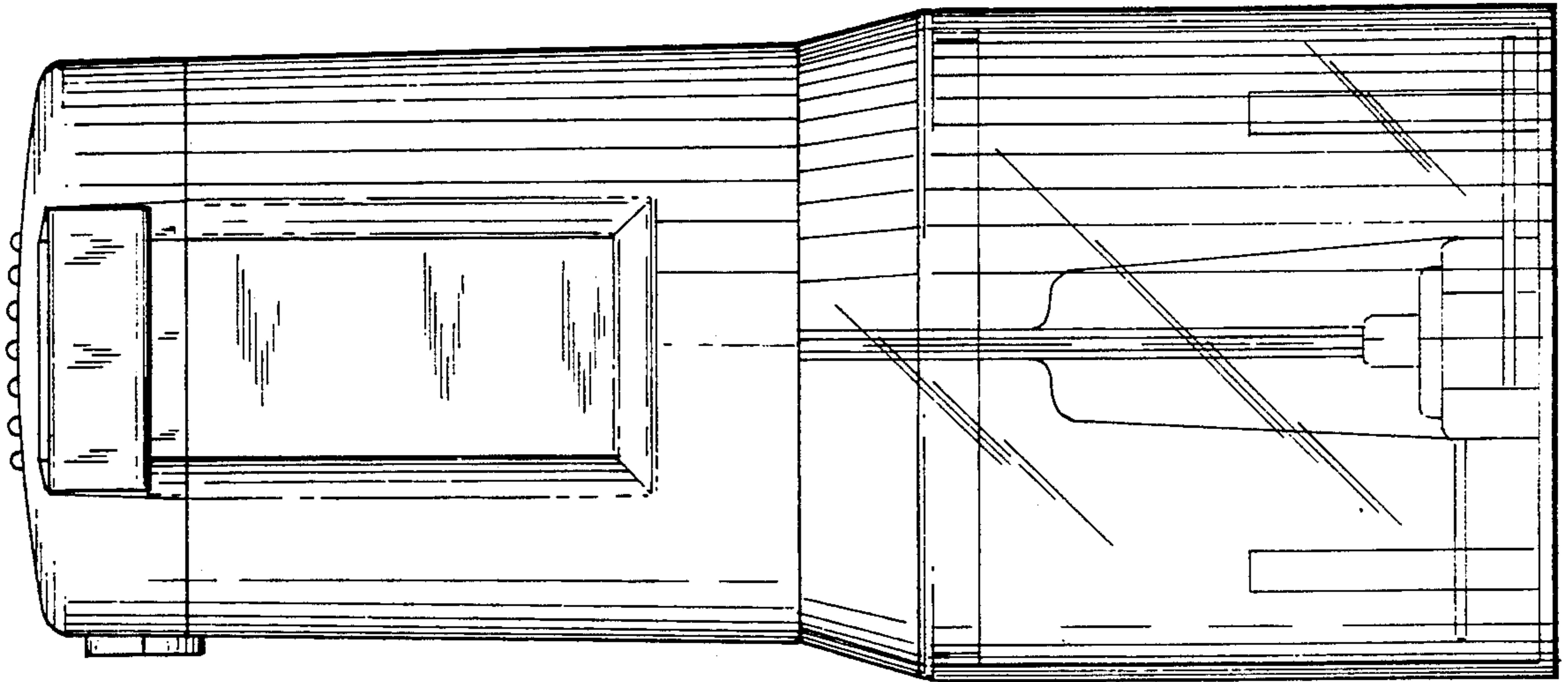


FIG. 7