

[54] ROLLTOP TOY BOX

[76] Inventor: Hueston E. Terrell, 615 Alison,
Stilwell, Okla. 74960

[**] Term: 14 Years

[21] Appl. No.: 272,868

[22] Filed: Nov. 18, 1988

[52] U.S. Cl. D6/433

[58] Field of Search D6/433; 312/297

[56] References Cited

U.S. PATENT DOCUMENTS

D. 232,799	9/1974	Knudson	D6/433	X
D. 276,578	12/1984	Kwiecinski	D6/433	X
D. 286,126	10/1986	Driscoll	D6/433	X
1,000,179	8/1911	Kamenstein	D6/433	X
2,722,469	11/1955	Kosovsky	312/297	X

FOREIGN PATENT DOCUMENTS

432957	12/1911	France	312/297
1139633	7/1957	France	312/297

OTHER PUBLICATIONS

Sturbridge Yankee Workshop, 1970-1971, p. 32; Miniature Roll Top, top left on page.

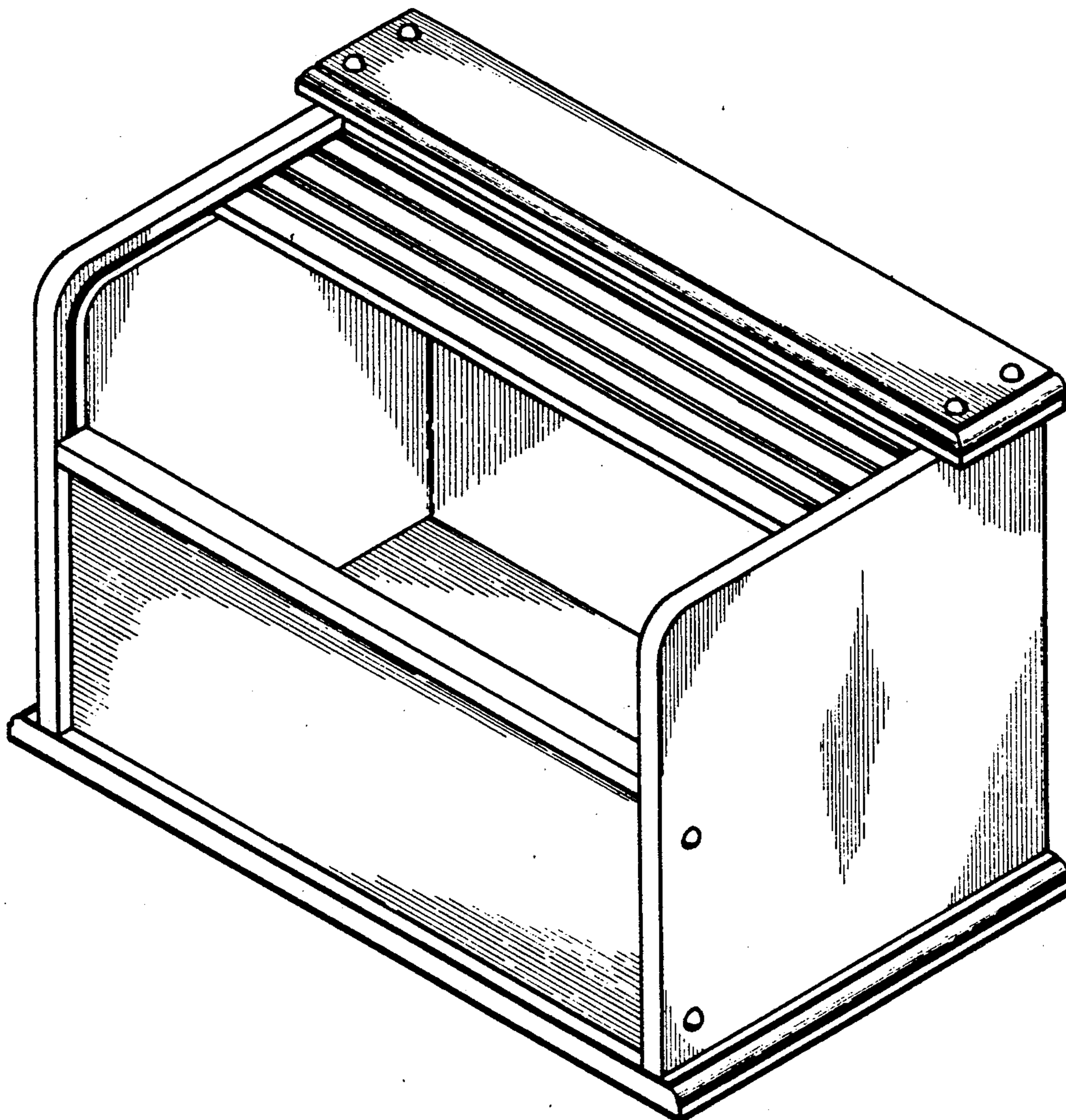
Primary Examiner—Carmen H. Vales-Lado
Attorney, Agent, or Firm—Robert R. Keegan

[57] CLAIM

The ornamental design for a rolltop toy box, as shown.

DESCRIPTION

FIG. 1 is a perspective view of a rolltop toy box showing my new design;
FIG. 2 is a rear elevational view thereof;
FIG. 3 is a front elevational view thereof;
FIG. 4 is a side elevational view thereof;
FIG. 5 is a top plan view thereof, and
FIG. 6 is a bottom plan view thereof.



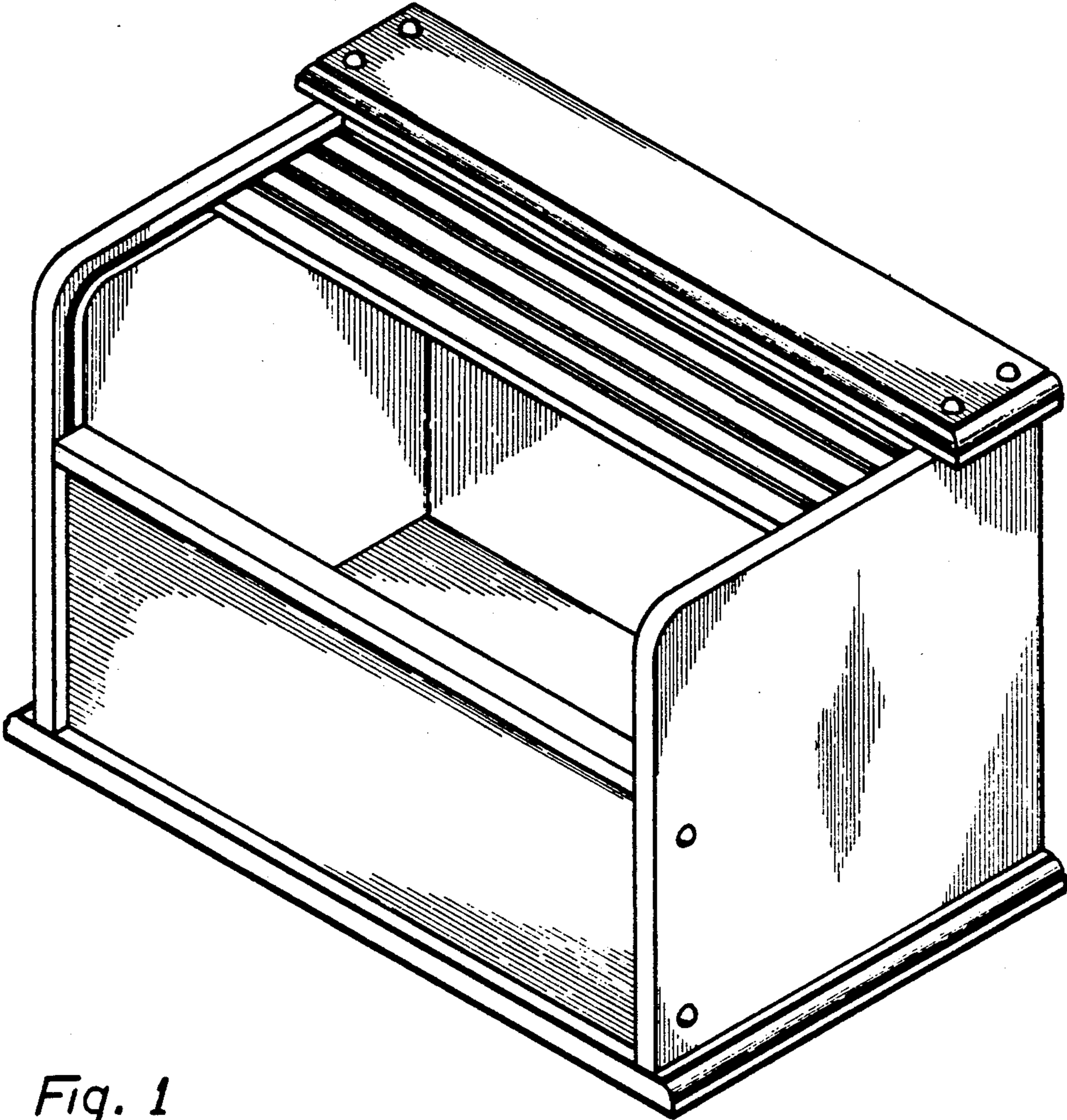


Fig. 1

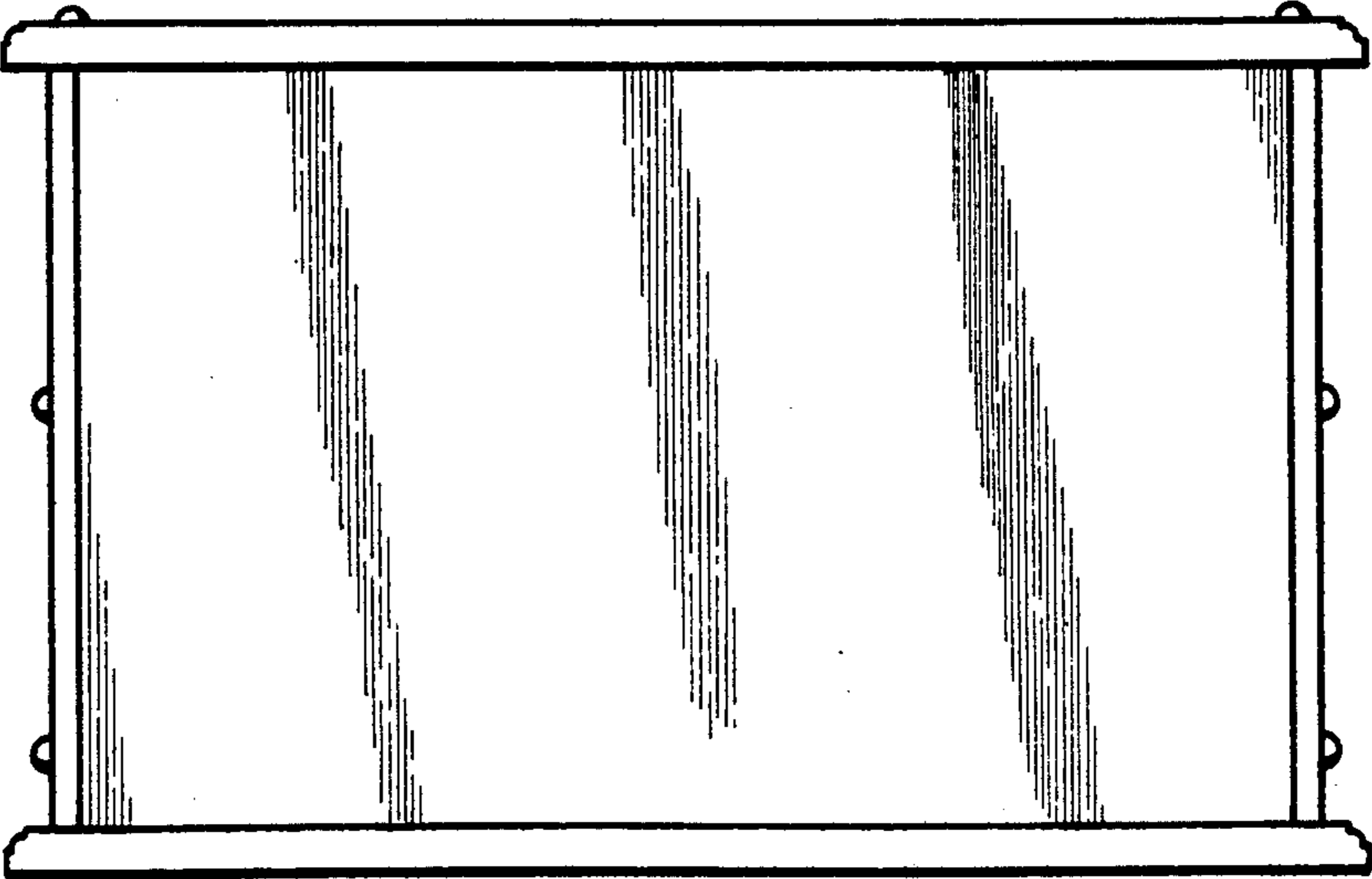


Fig. 2

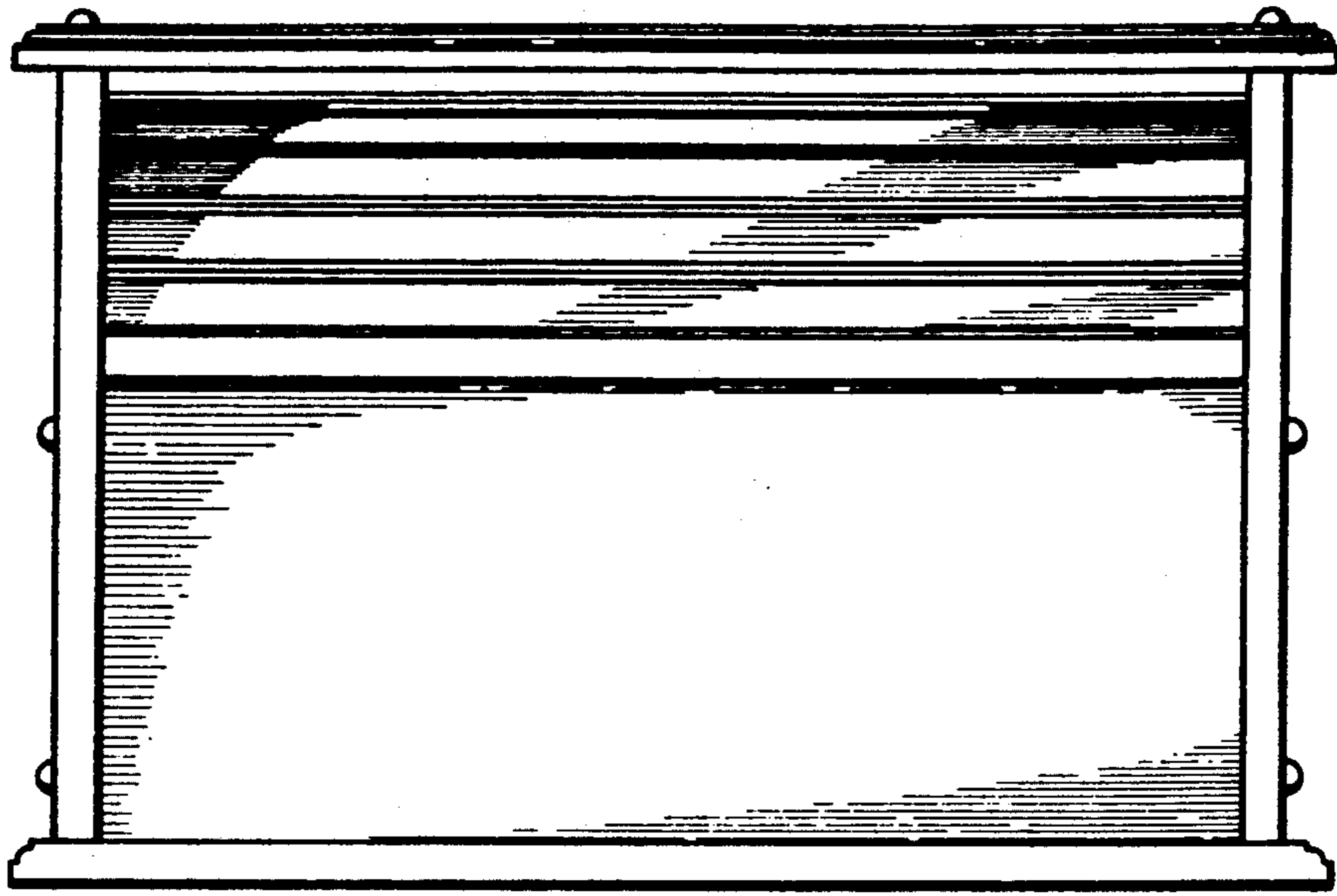


Fig. 3

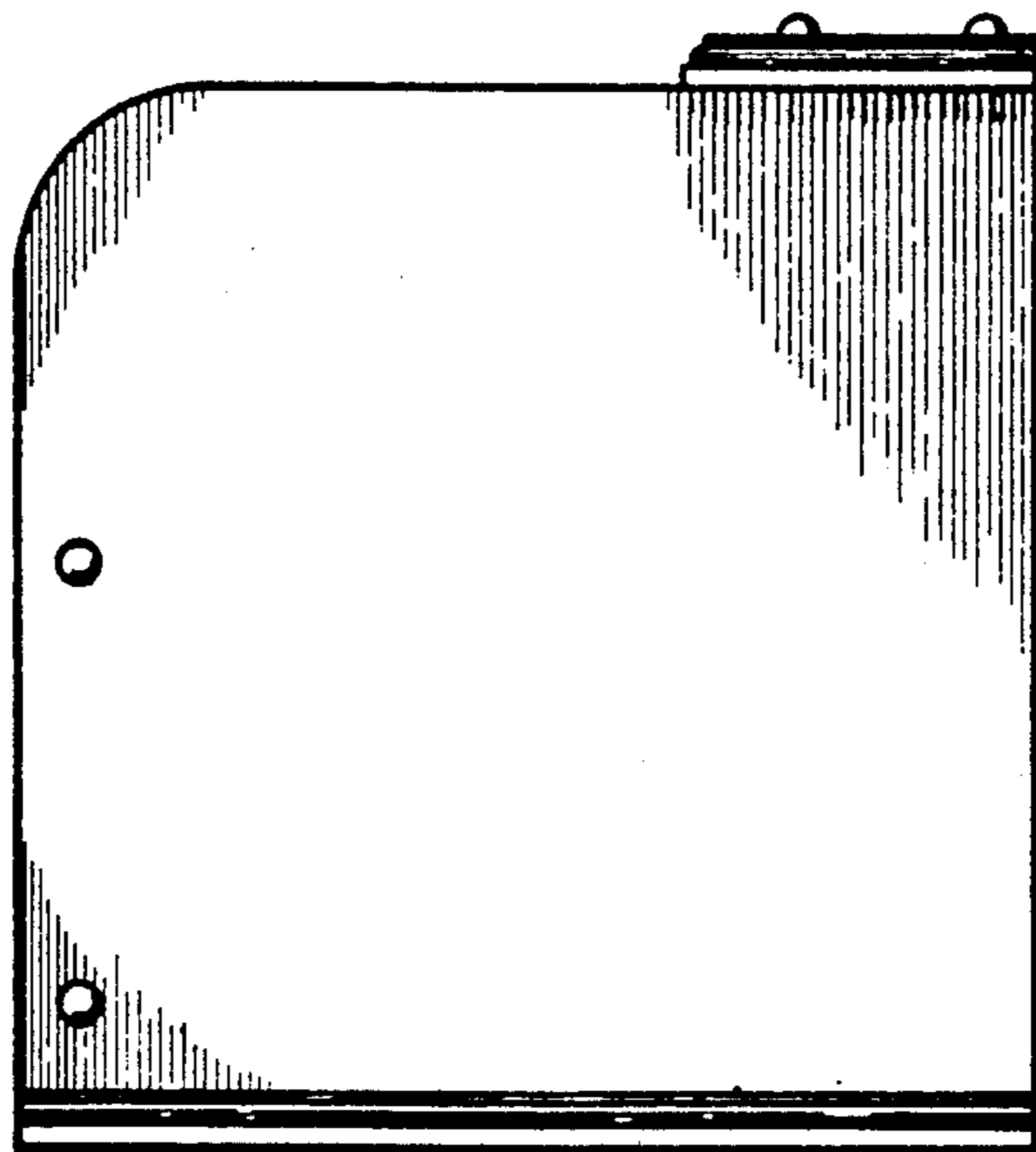


Fig. 4

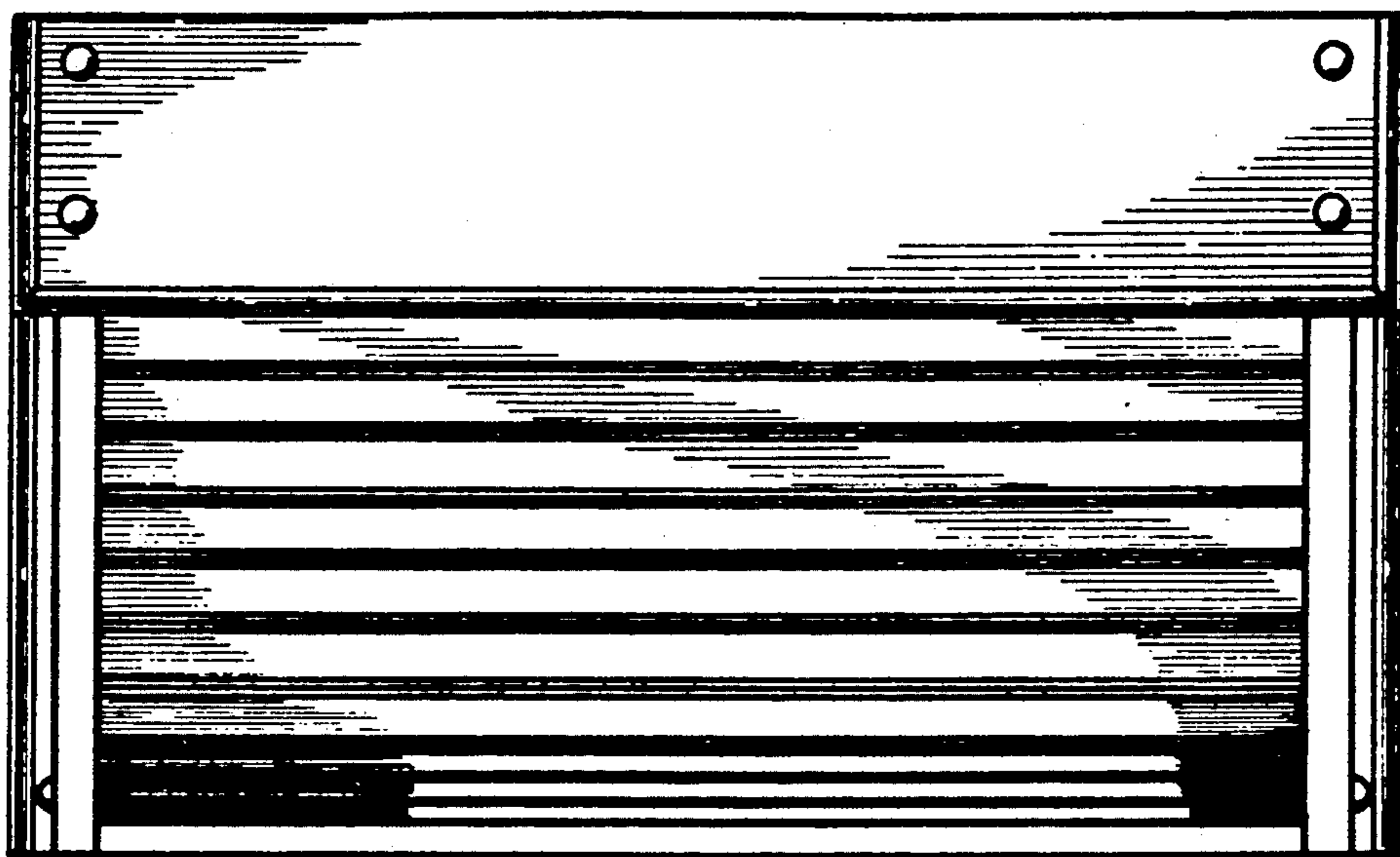


Fig. 5

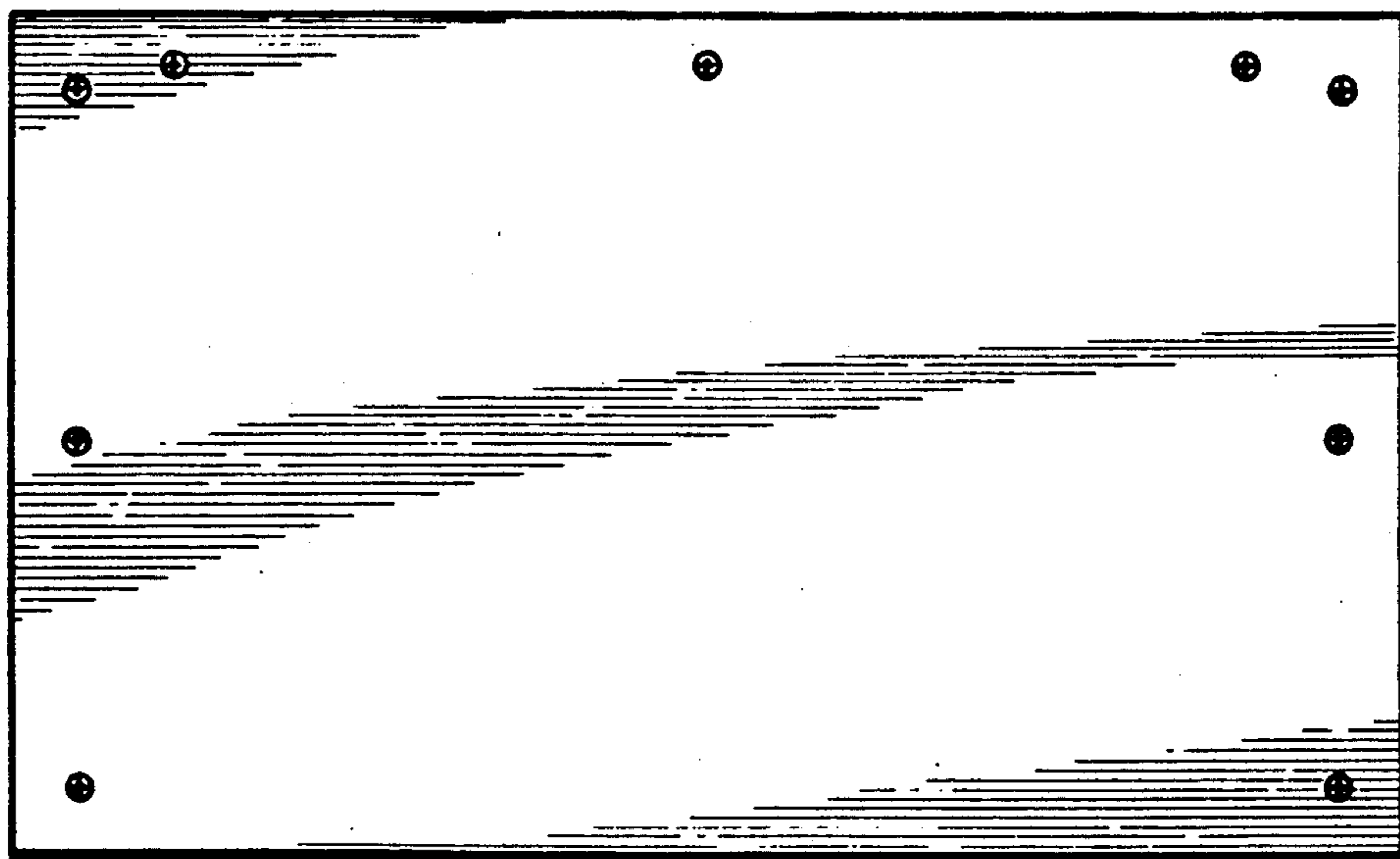


Fig. 6