

United States Patent [19]

Brothers et al.

[11] Patent Number: **Des. 320,319**

[45] Date of Patent: **** Oct. 1, 1991**

[54] **PORTABLE LECTERN**

[76] Inventors: **William H. Brothers**, 101 W. 4800 North; **William S. Brothers**, 1815 N. 1400 East, both of Provo, Utah 84604

[*] Notice: The portion of the term of this patent subsequent to Aug. 1, 2001 has been disclaimed.

[**] Term: **14 Years**

[21] Appl. No.: **633,526**

[22] Filed: **Jul. 23, 1984**

[52] U.S. Cl. **D6/419**

[58] Field of Search D6/406, 419, 420; 211/41, 42; 248/460, 444.1, 455, 456; D19/91

[56] **References Cited**

U.S. PATENT DOCUMENTS

D. 218,980	10/1970	Balkus	D6/420 X
D. 262,978	2/1982	Nagley	D19/91
D. 271,501	11/1983	Manning et al.	D19/91
2,640,294	6/1953	Walzak	248/460
3,343,776	9/1967	Wieszack	248/441.1
3,550,895	12/1970	Guiles	248/460 X

4,213,520	7/1980	Sarna et al.	248/444.1
4,466,593	8/1984	Odenath	248/455
4,467,727	8/1984	Strommer	248/456 X
4,544,123	10/1985	Peacock	248/460

OTHER PUBLICATIONS

Fidelity Products Co., ©1983 Catalog of Data & Word Processing Products, p. 42; Transparent Monitor/-Printer Stands, top left on page.

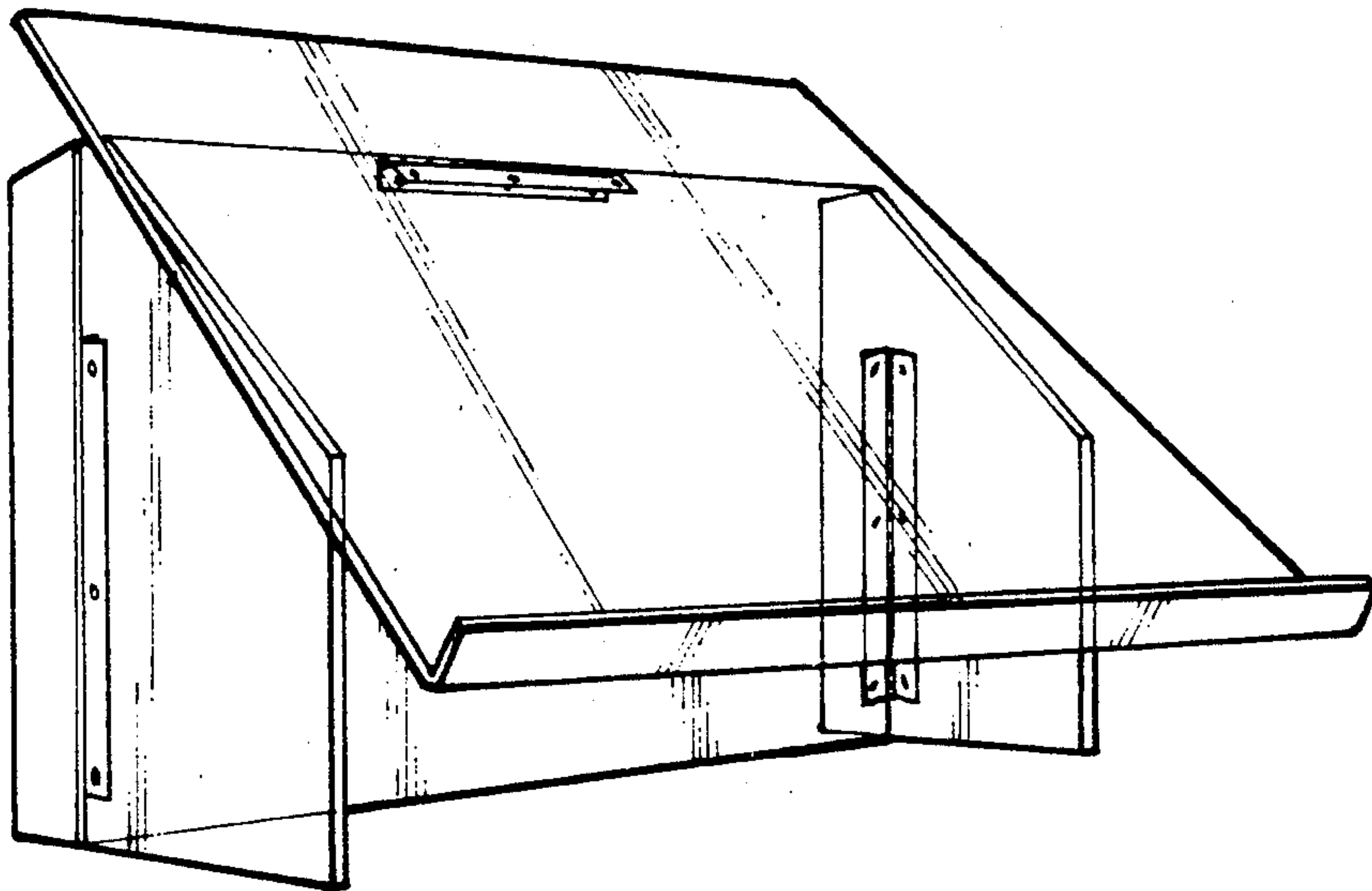
Primary Examiner—Carmen H. Vales-Lado
Attorney, Agent, or Firm—M. Reid Russell

[57] **CLAIM**

The ornamental design for a portable lectern, as shown and described.

DESCRIPTION

FIG. 1 is a perspective view of a portable lectern showing my new design;
FIG. 2 is a front elevational view thereof;
FIG. 3 is a left side elevational view, the opposite side being a mirror image thereof;
FIG. 4 is a rear elevational view thereof;
FIG. 5 is a top plan view thereof; and
FIG. 6 is a bottom plan view thereof.



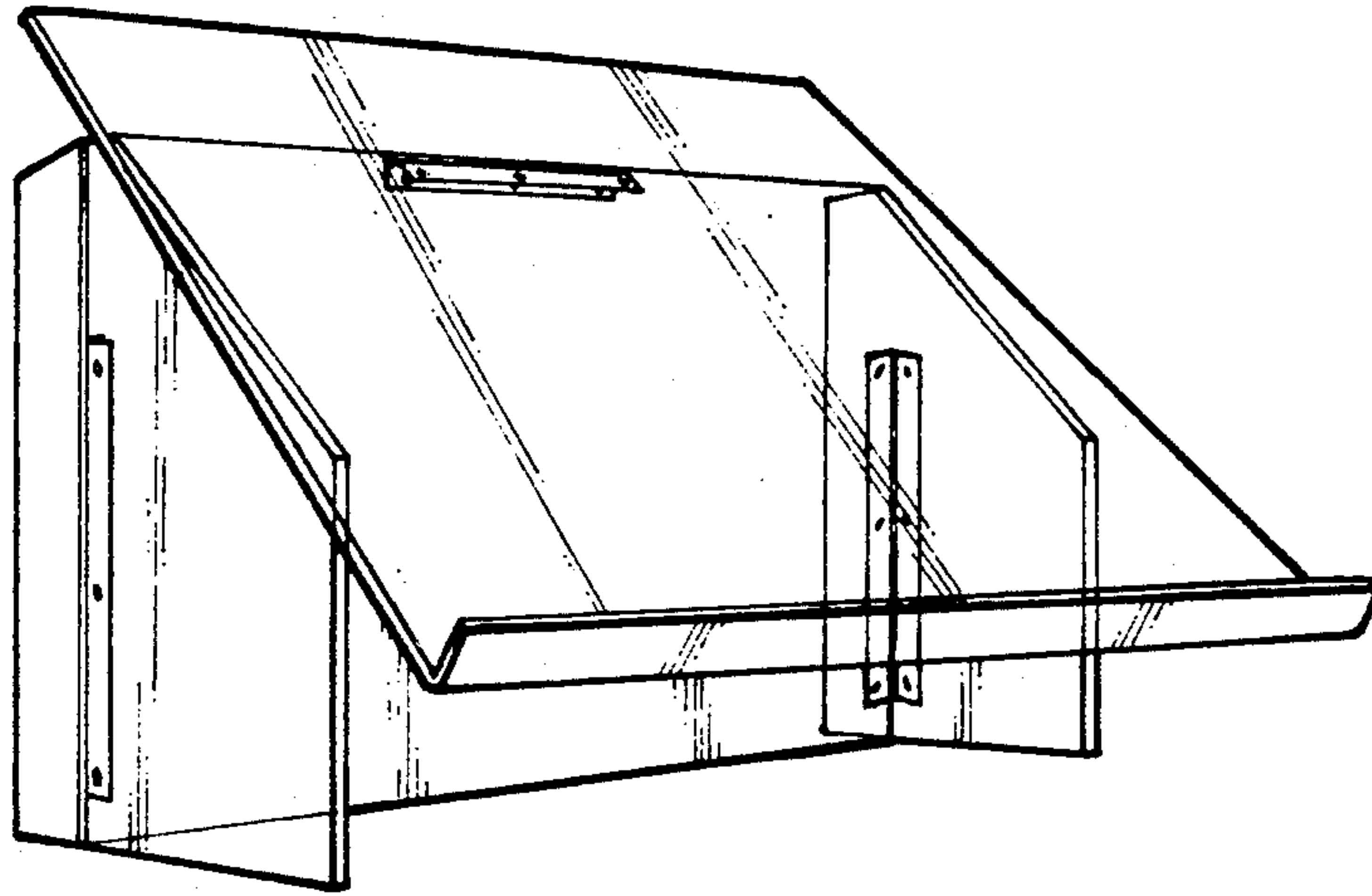


FIG. 1

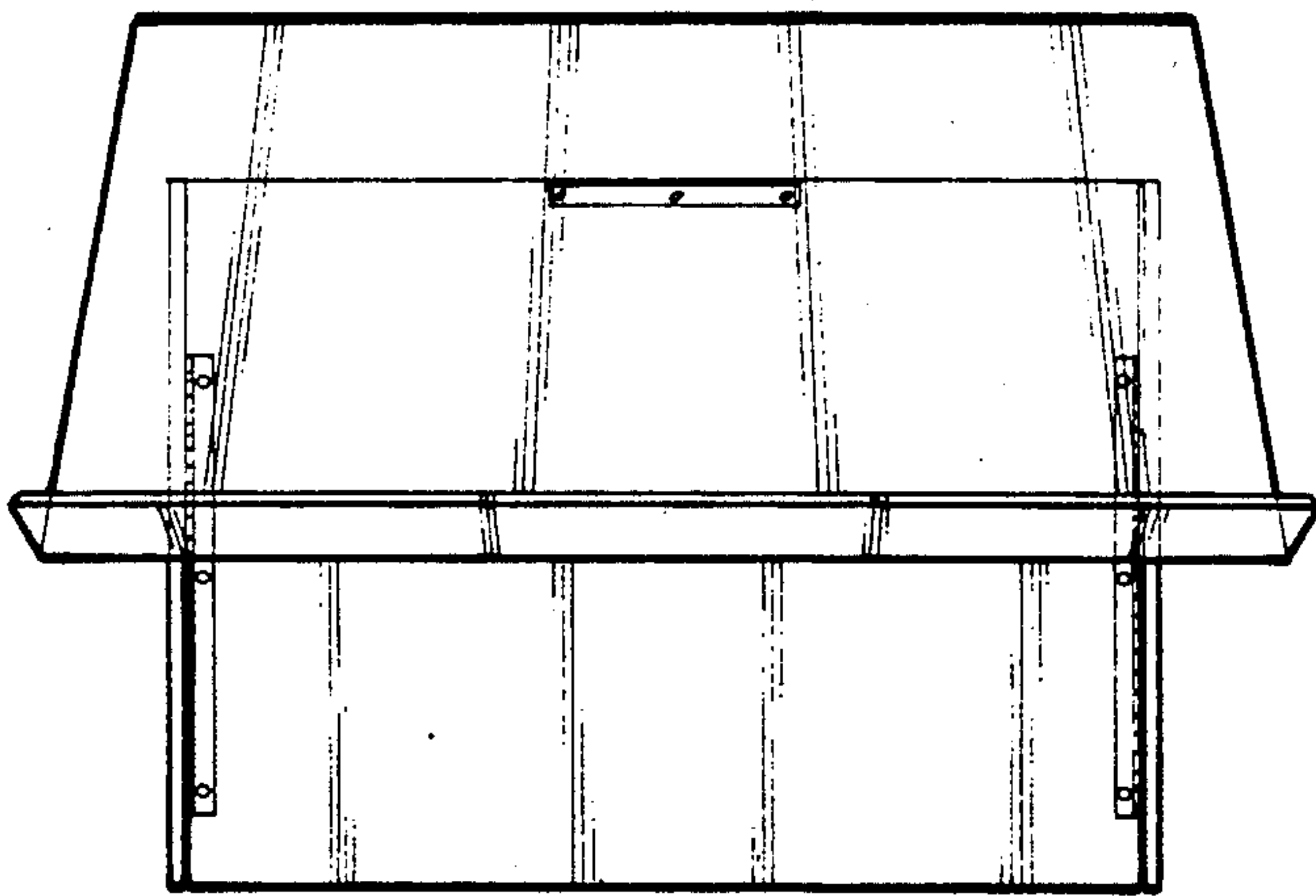


FIG. 2

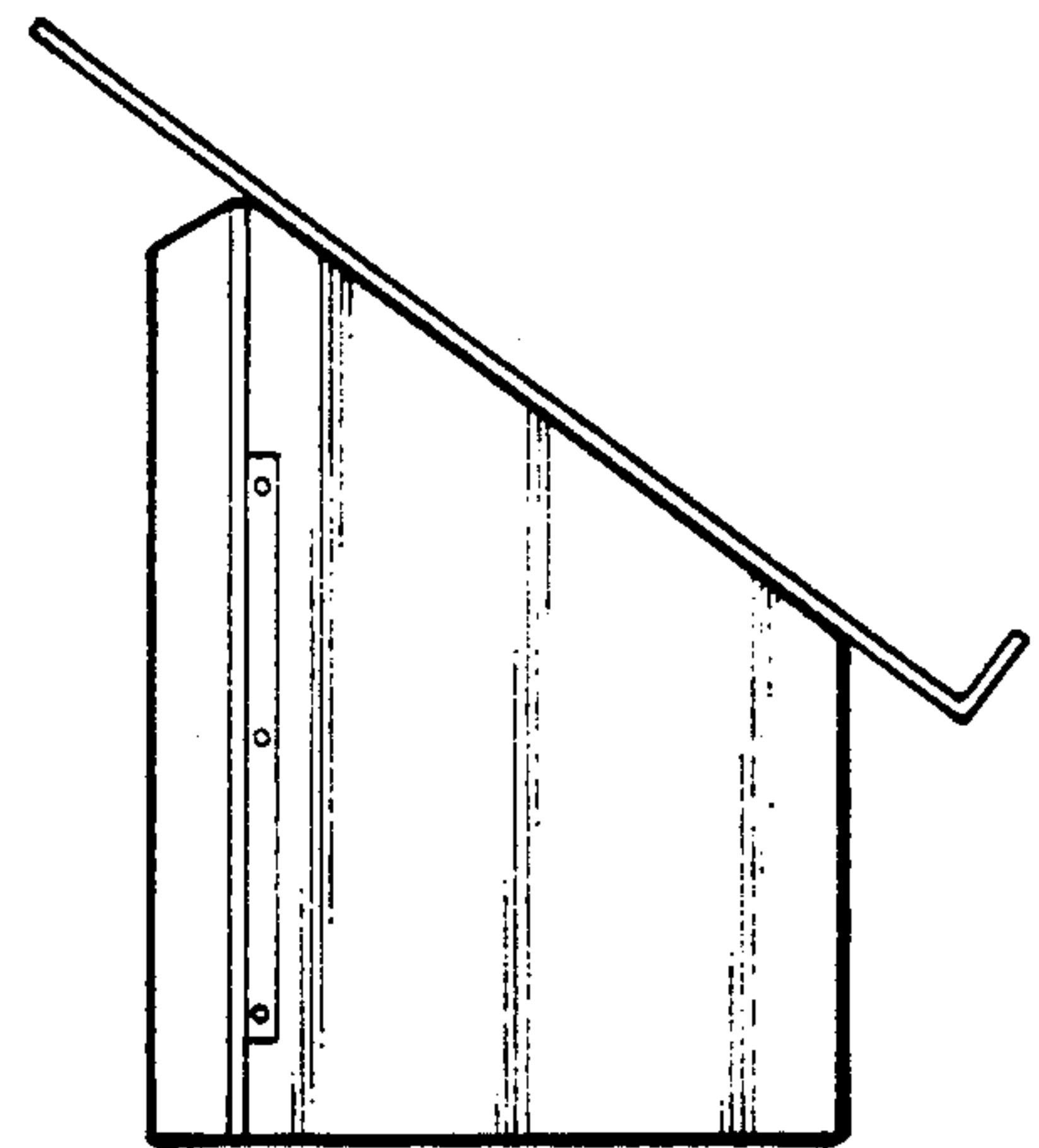


FIG. 3

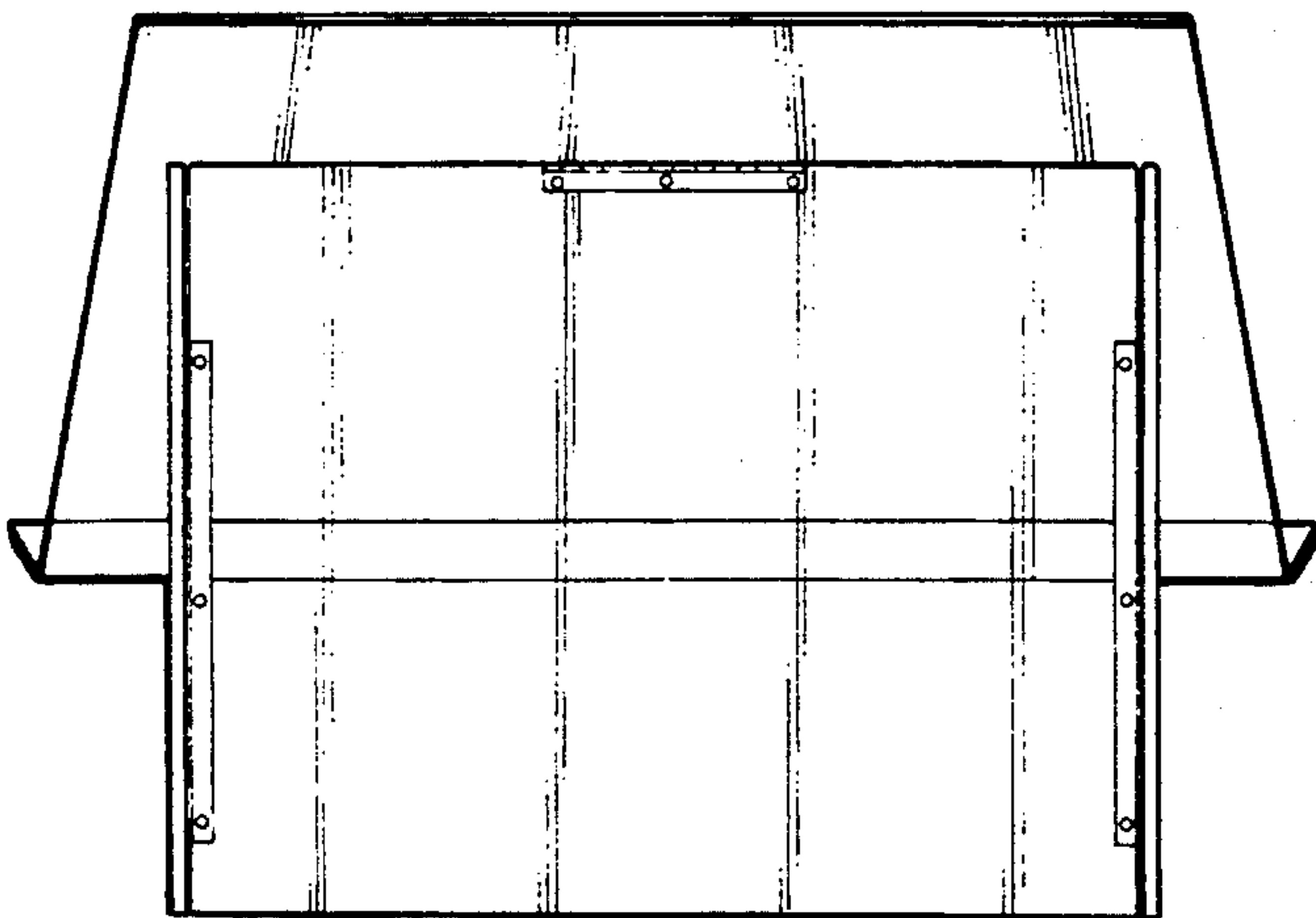


FIG. 4

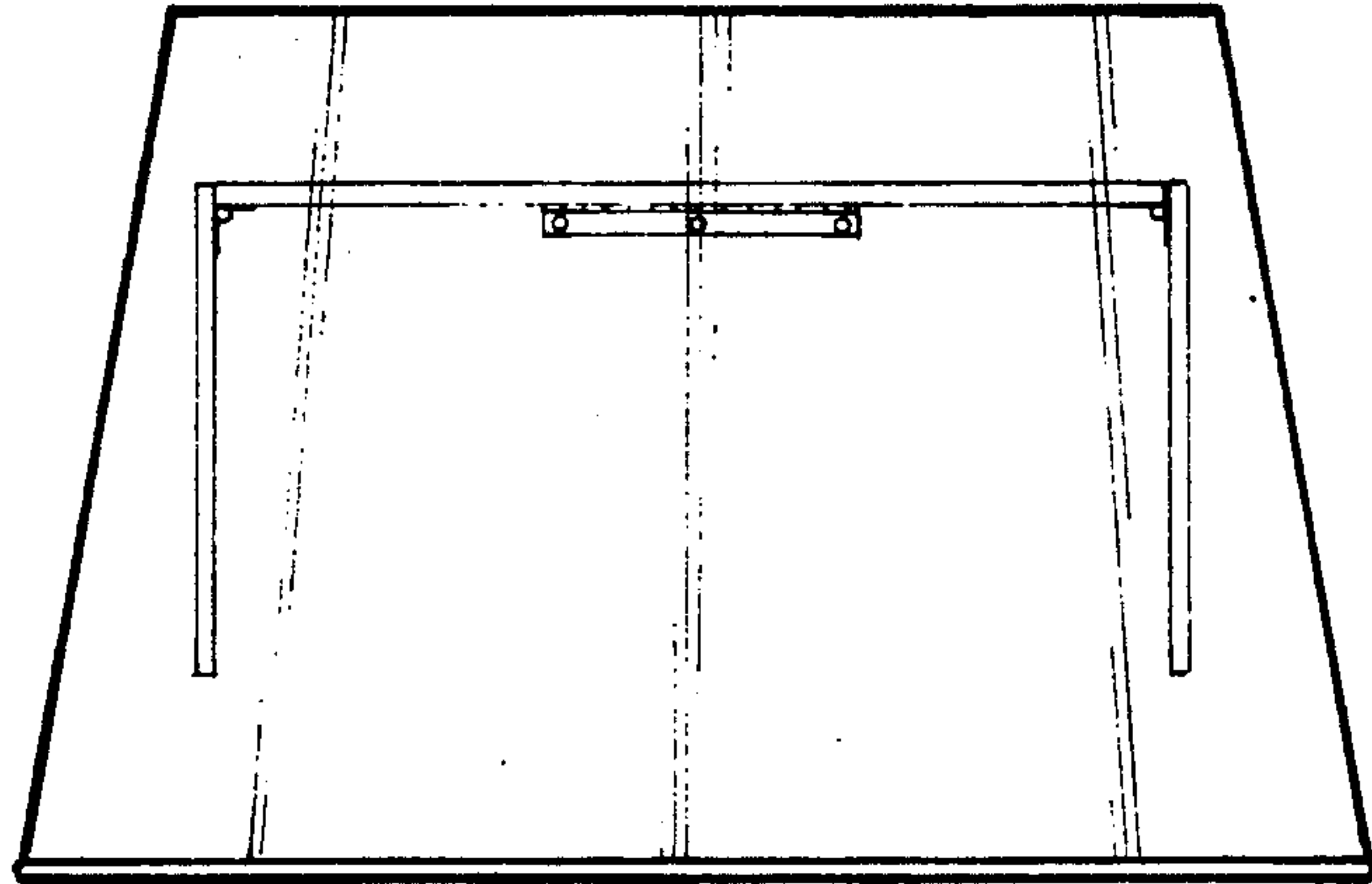


FIG. 5

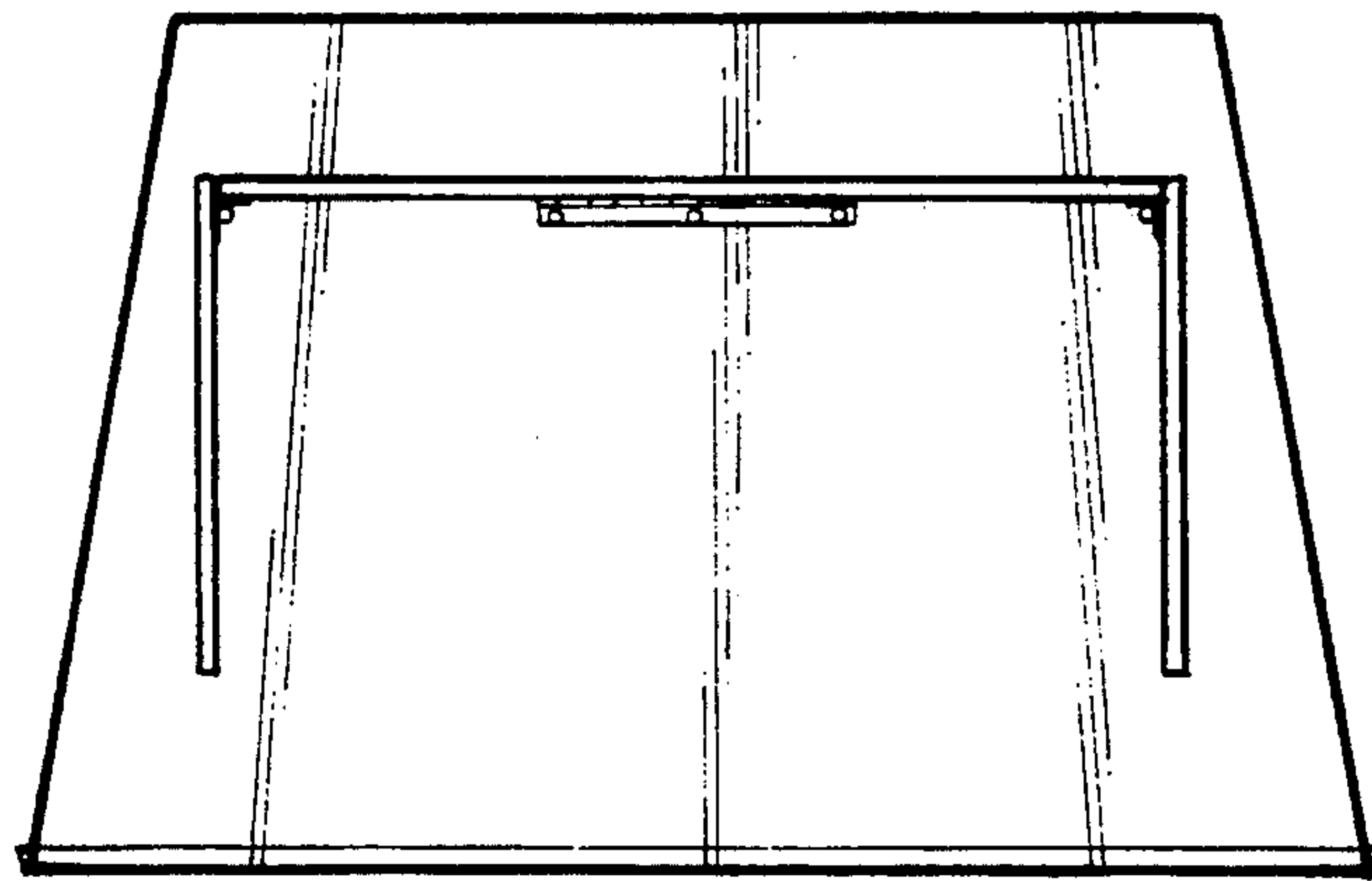


FIG. 6