

[54] BASSINET

[76] Inventor: Pamla D. Arnold, 1395 Glendale Dr., Arcata, Calif. 95521

[**] Term: 14 Years

[21] Appl. No.: 239,966

[22] Filed: Sep. 2, 1988

[52] U.S. Cl. D6/390

[58] Field of Search D6/382, 385-394, D6/503-507

3,139,630	7/1964	Hunt	D6/385 X
3,146,736	9/1964	Hetrick	D6/391 X
3,162,460	12/1964	Davidson	5/99.1 X
3,886,607	6/1975	Dunn	5/99.1 X

Primary Examiner—Bruce W. Dunkins
Assistant Examiner—Janice E. Seeger
Attorney, Agent, or Firm—Jerry T. Kearns

[57] CLAIM

The ornamental design for a bassinet, as shown and described.

DESCRIPTION

FIG. 1 is a front elevational view of a bassinet showing my new design;

FIG. 2 is a rear elevational view thereof;

FIG. 3 is a left side elevational view thereof;

FIG. 4 is a right side elevational view thereof;

FIG. 5 is a top plan view thereof;

FIG. 6 is a bottom plan view thereof; and,

FIG. 7 is a perspective view thereof.

[56] References Cited

U.S. PATENT DOCUMENTS

D. 247,275	2/1978	Colombo	D6/392
D. 277,348	1/1985	Hull	D6/390 X
1,264,734	4/1918	Williams	D6/390 X
1,742,011	12/1929	Rumsey	D6/391 X
2,287,907	6/1942	Schettler, Jr.	D6/391 X
3,025,536	3/1962	Gray	5/99.1



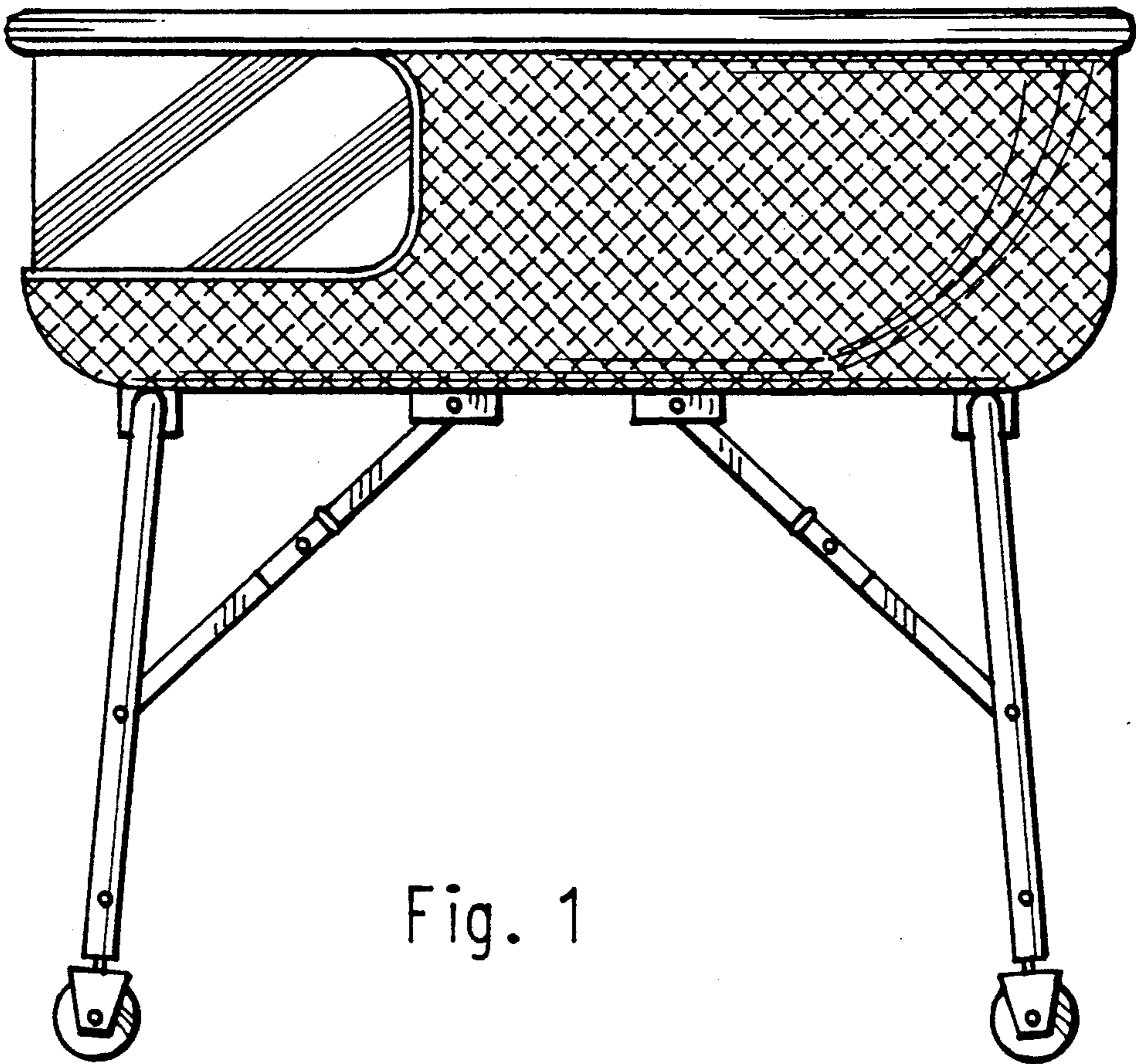


Fig. 1

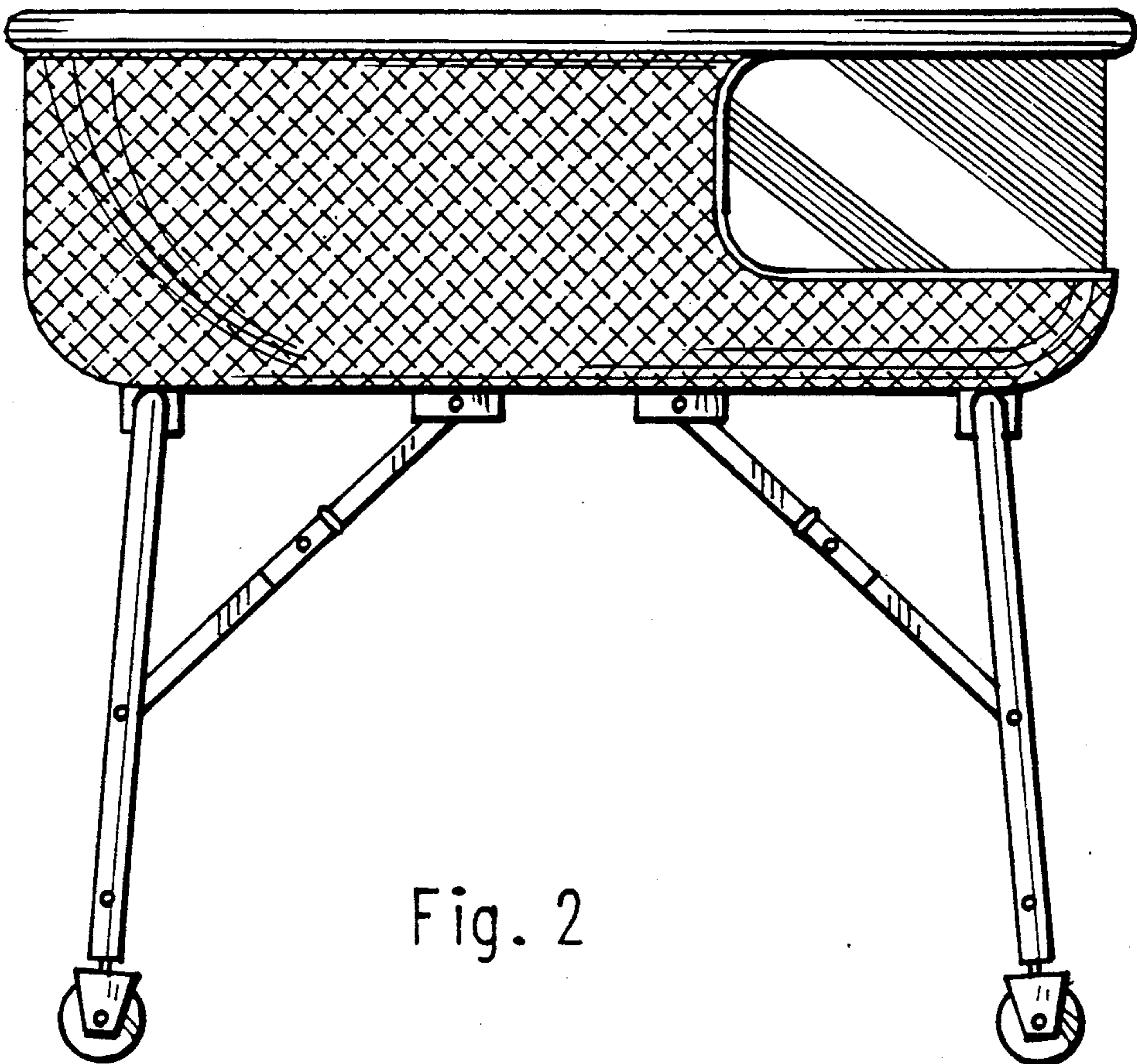


Fig. 2

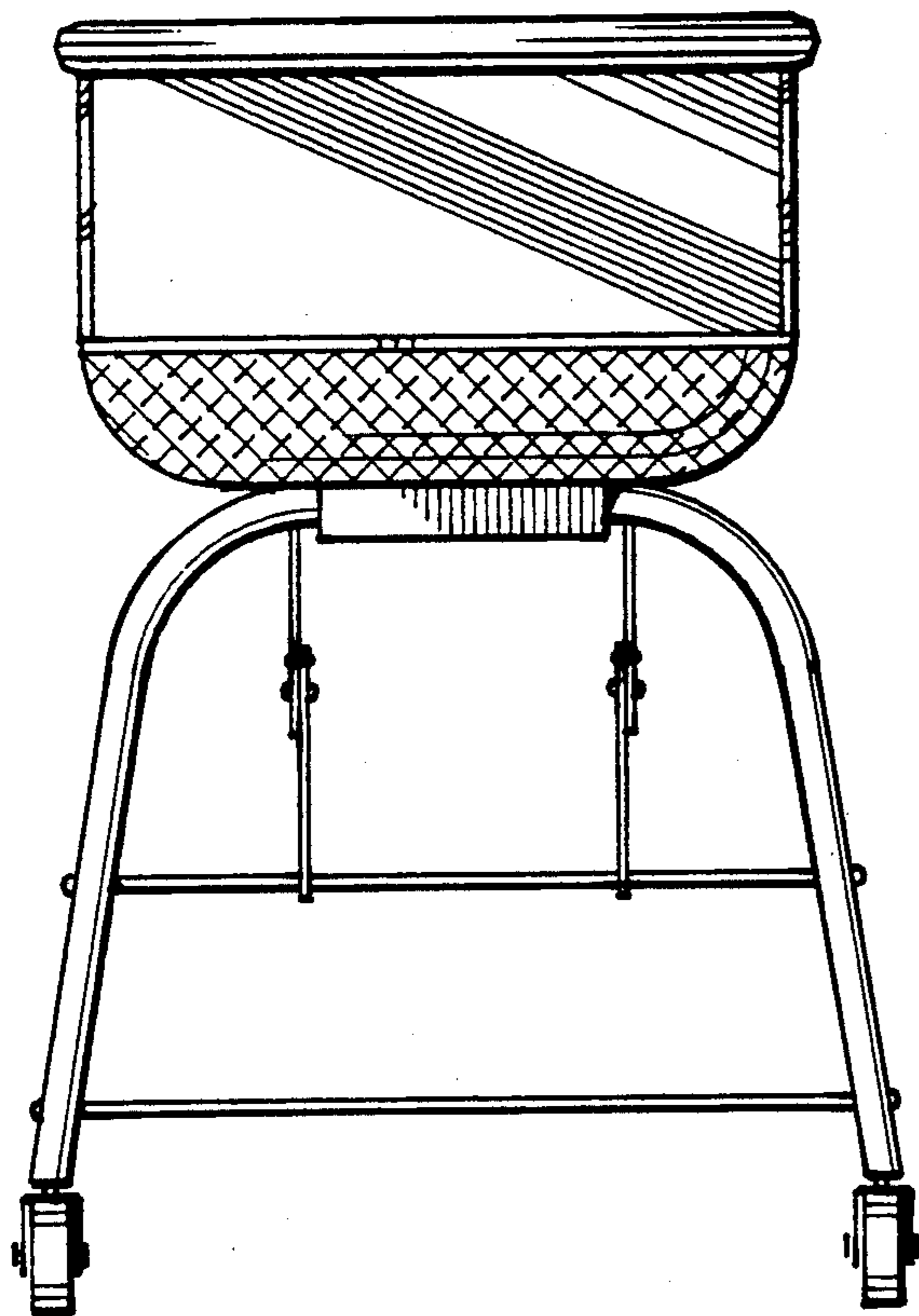


Fig. 3

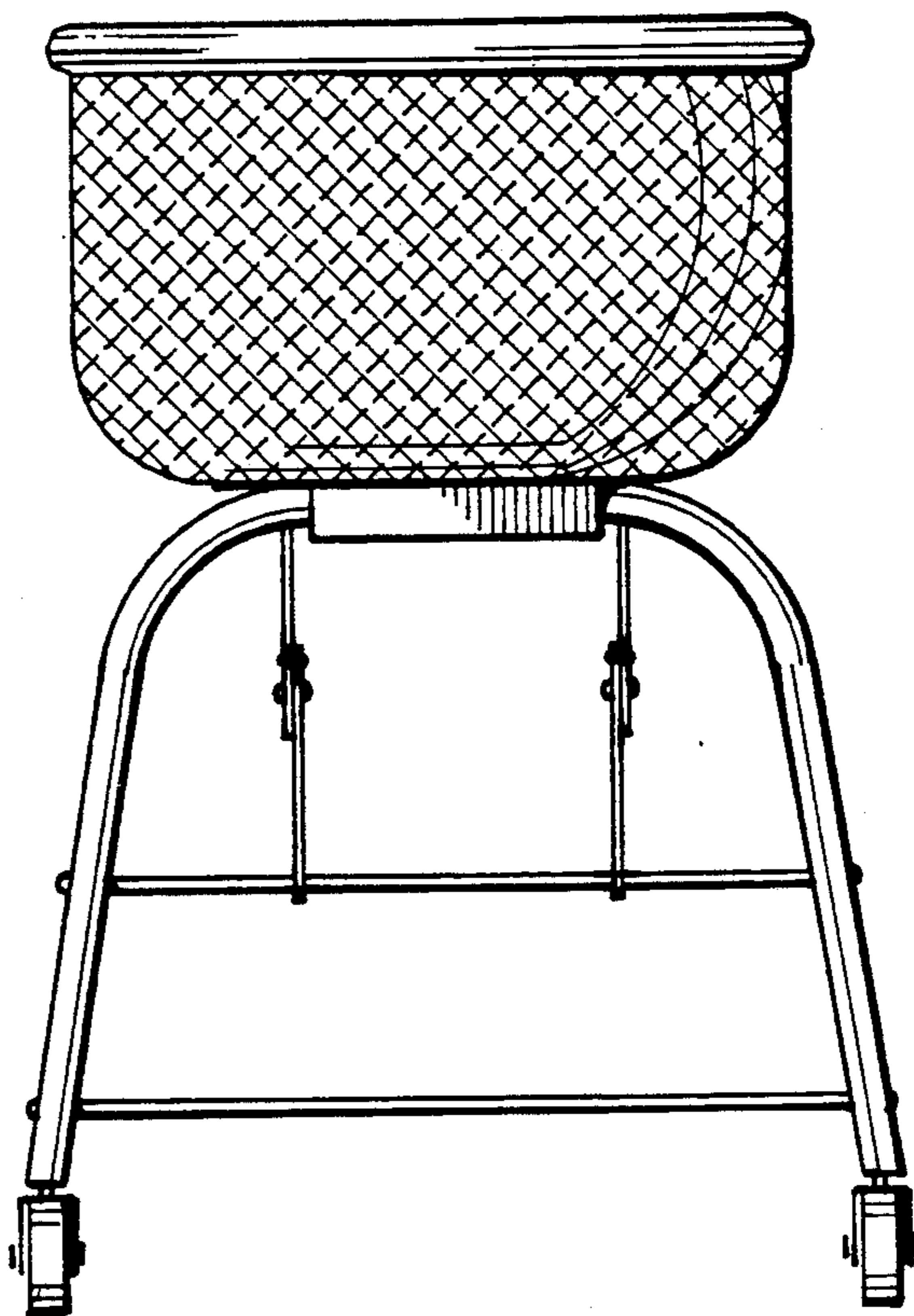


Fig. 4

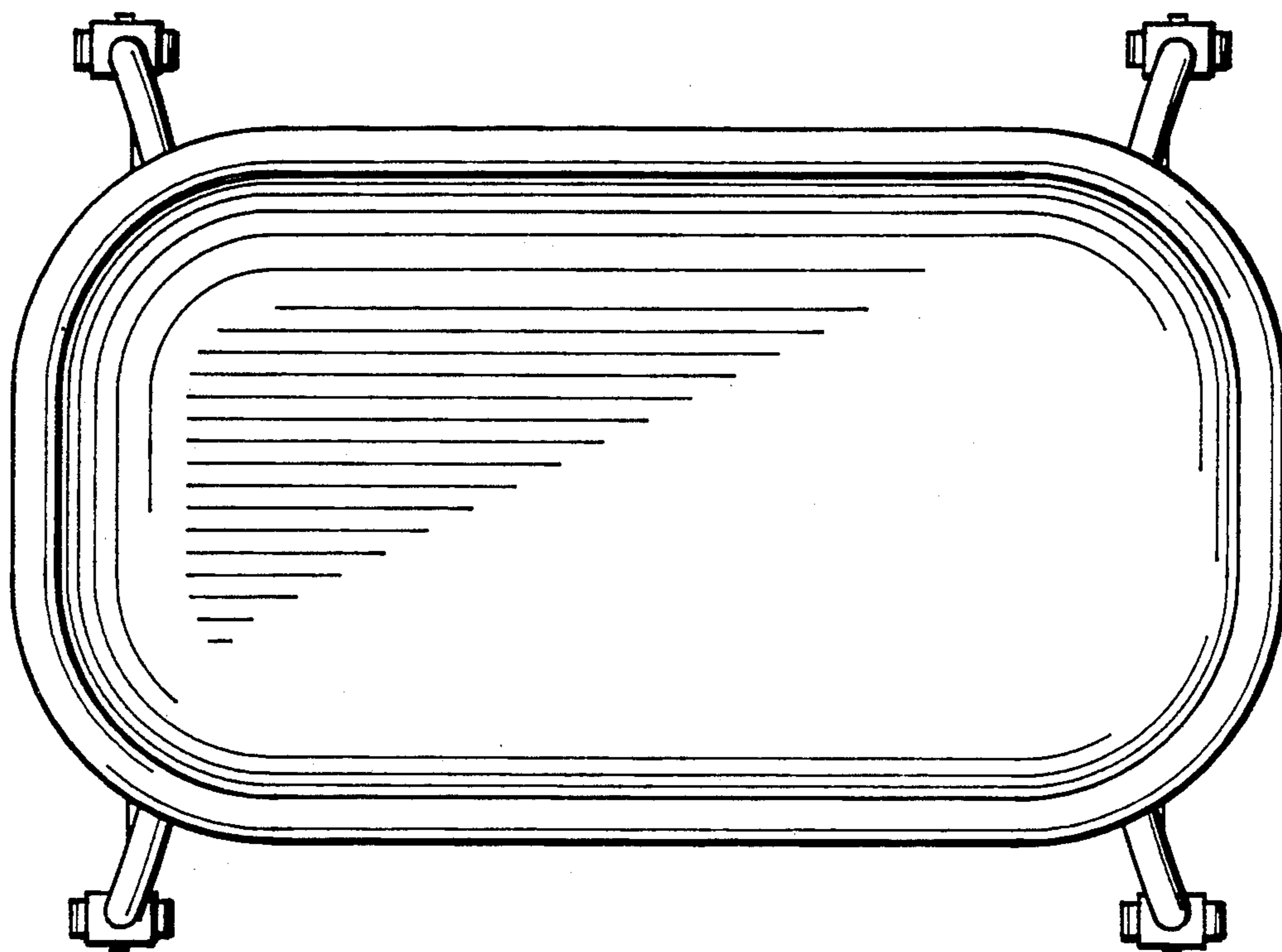


Fig. 5

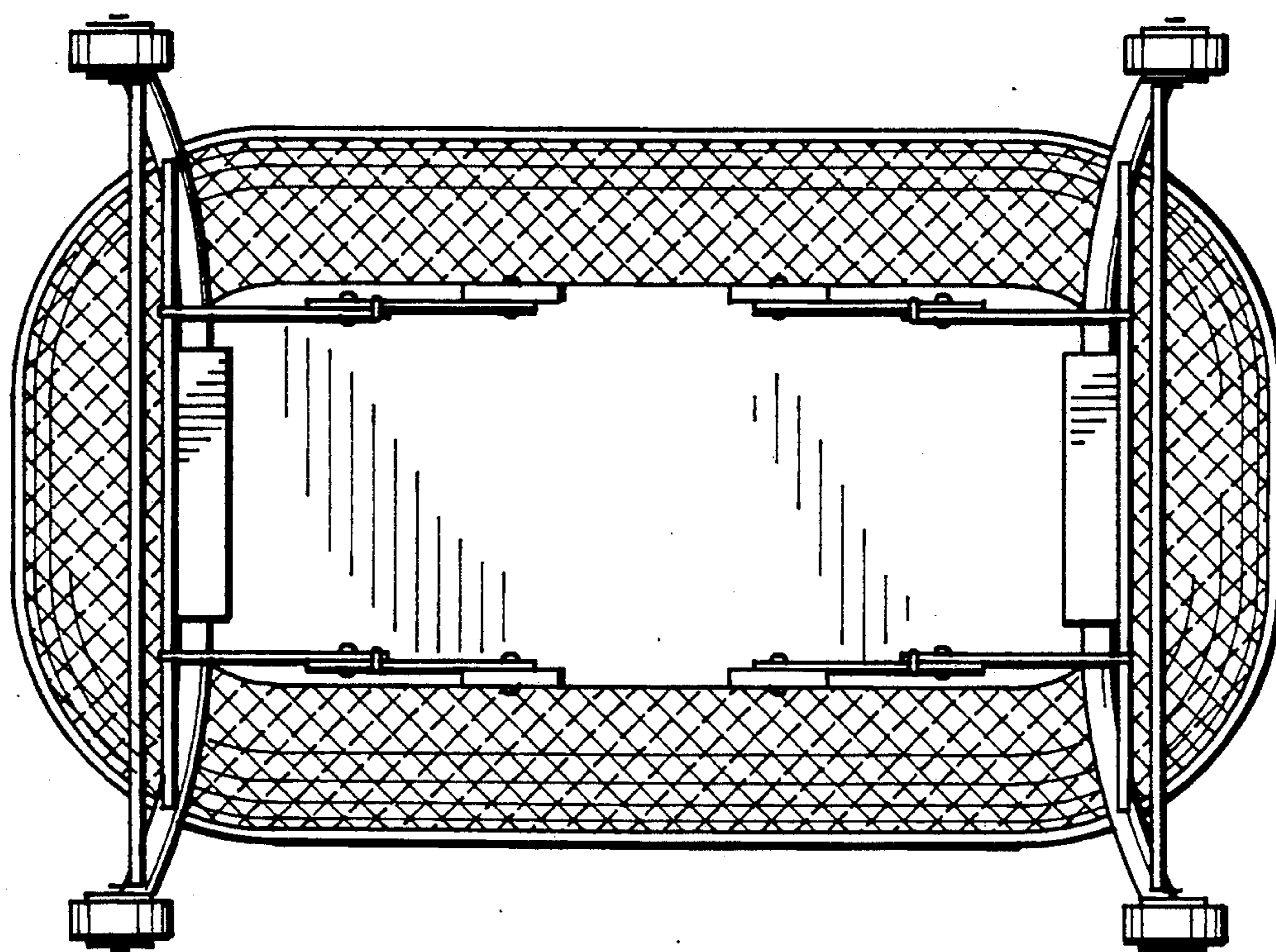


Fig. 6

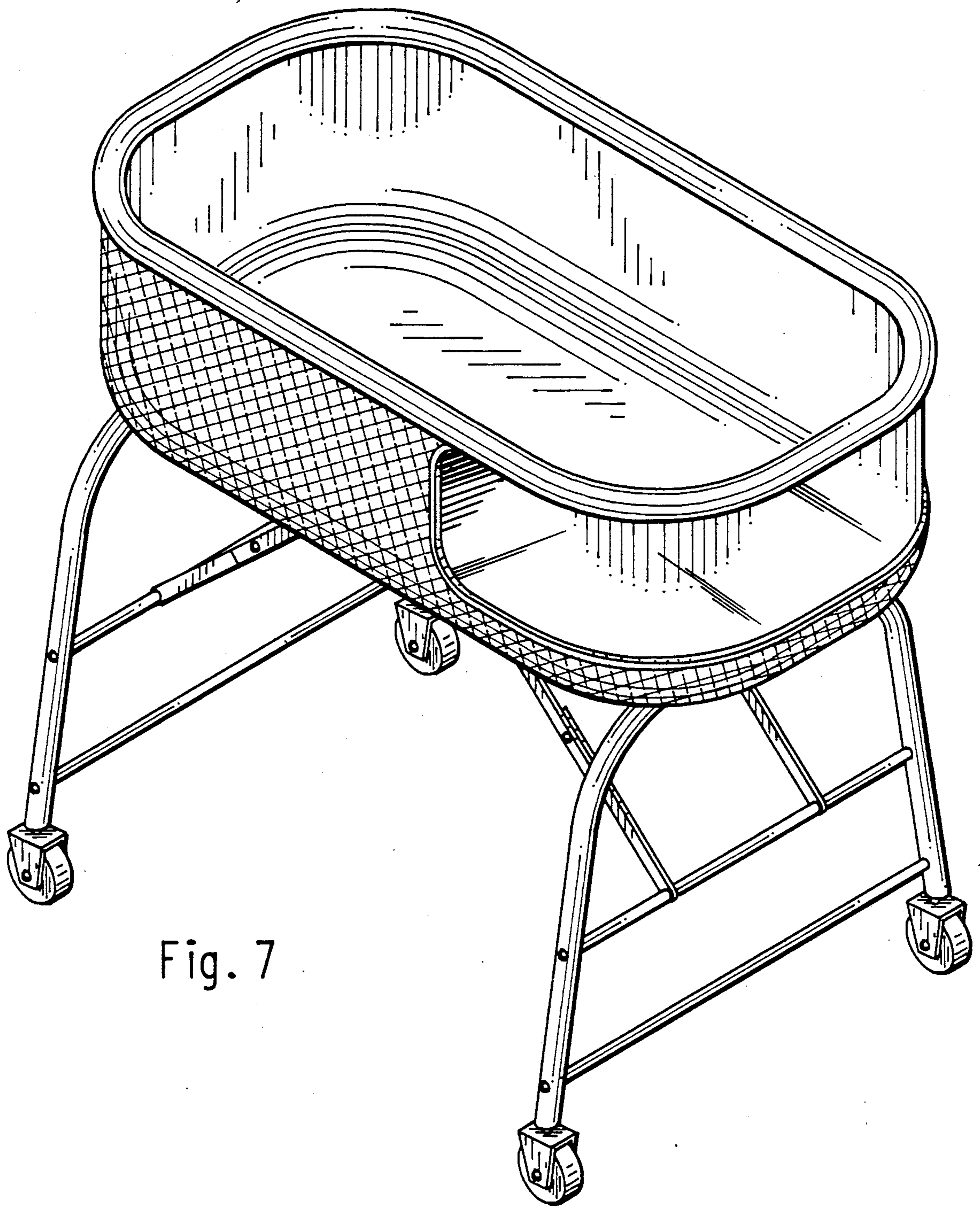


Fig. 7