

[54] ADJUSTABLE LOUNGE SEAT

[75] Inventor: Winfried Totzek, Warendorf, Fed. Rep. of Germany

[73] Assignee: De Sede AG, Klingnau, Switzerland

[**] Term: 14 Years

[21] Appl. No.: 216,951

[22] Filed: Jul. 8, 1988

[30] Foreign Application Priority Data

Jan. 12, 1988 [CH] Switzerland 116494

[52] U.S. Cl. D6/367; D6/361; D6/381

[58] Field of Search D6/334, 361, 364, 367, D6/375, 380, 381, 500, 501, 502

[56] References Cited

U.S. PATENT DOCUMENTS

- D. 80,600 3/1930 Bernhard D6/381
- D. 115,429 6/1939 Stoll D6/381
- D. 166,954 6/1952 Eisendrath D6/367
- D. 170,088 7/1953 Hoffman D6/381
- D. 174,503 4/1955 Kolb et al. D6/380
- D. 177,886 5/1956 Thaden D6/375
- D. 204,755 5/1966 Wilson D6/381
- D. 228,371 9/1973 Gill D6/364

D. 261,451 10/1981 Albert D6/380

OTHER PUBLICATIONS

Abitare, 5/1982, supplement p. 15, Sofa shown.
Domus, 5/1988, Sofa shown midpage.

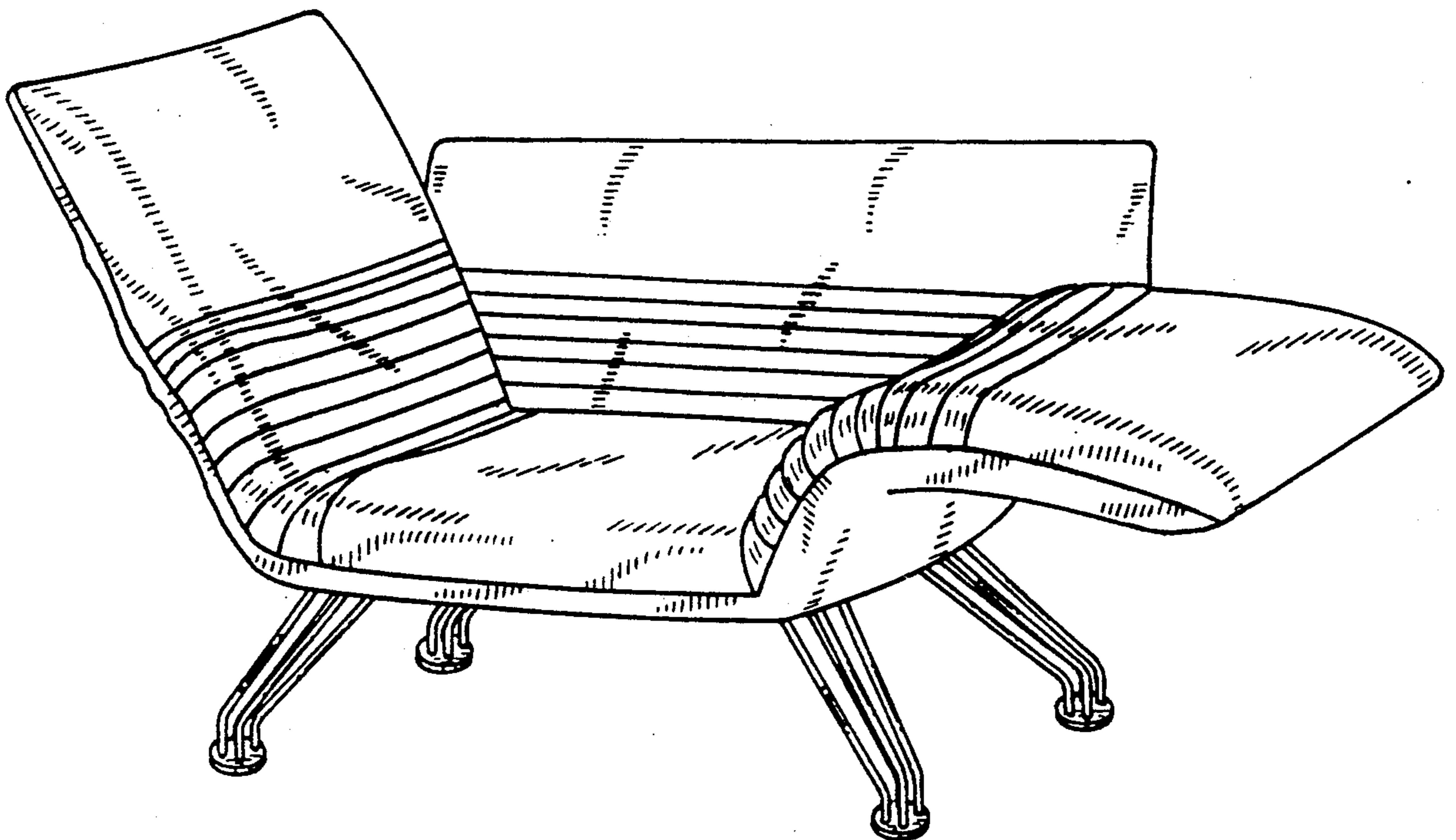
Primary Examiner—Bruce W. Dunkins
Assistant Examiner—Gary D. Watson
Attorney, Agent, or Firm—Sandler, Greenblum & Bernstein

[57] CLAIM

The ornamental design for an adjustable lounge seat, as shown and described.

DESCRIPTION

FIG. 1 is a perspective view of my adjustable lounge seat incorporating my invention;
FIG. 2 is a front elevational view;
FIG. 3 is a front view similar to the showing of FIG. 2 but depicting the seating and reclining portion in a different position;
FIG. 4 is a rear view of the showing of FIG. 2;
FIG. 5 is a top plan view;
FIG. 6 is an end view looking from the left-hand side of FIG. 2;
FIG. 7 is an end view looking from the right-hand side of FIG. 2; and
FIG. 8 is a bottom plan view thereof.



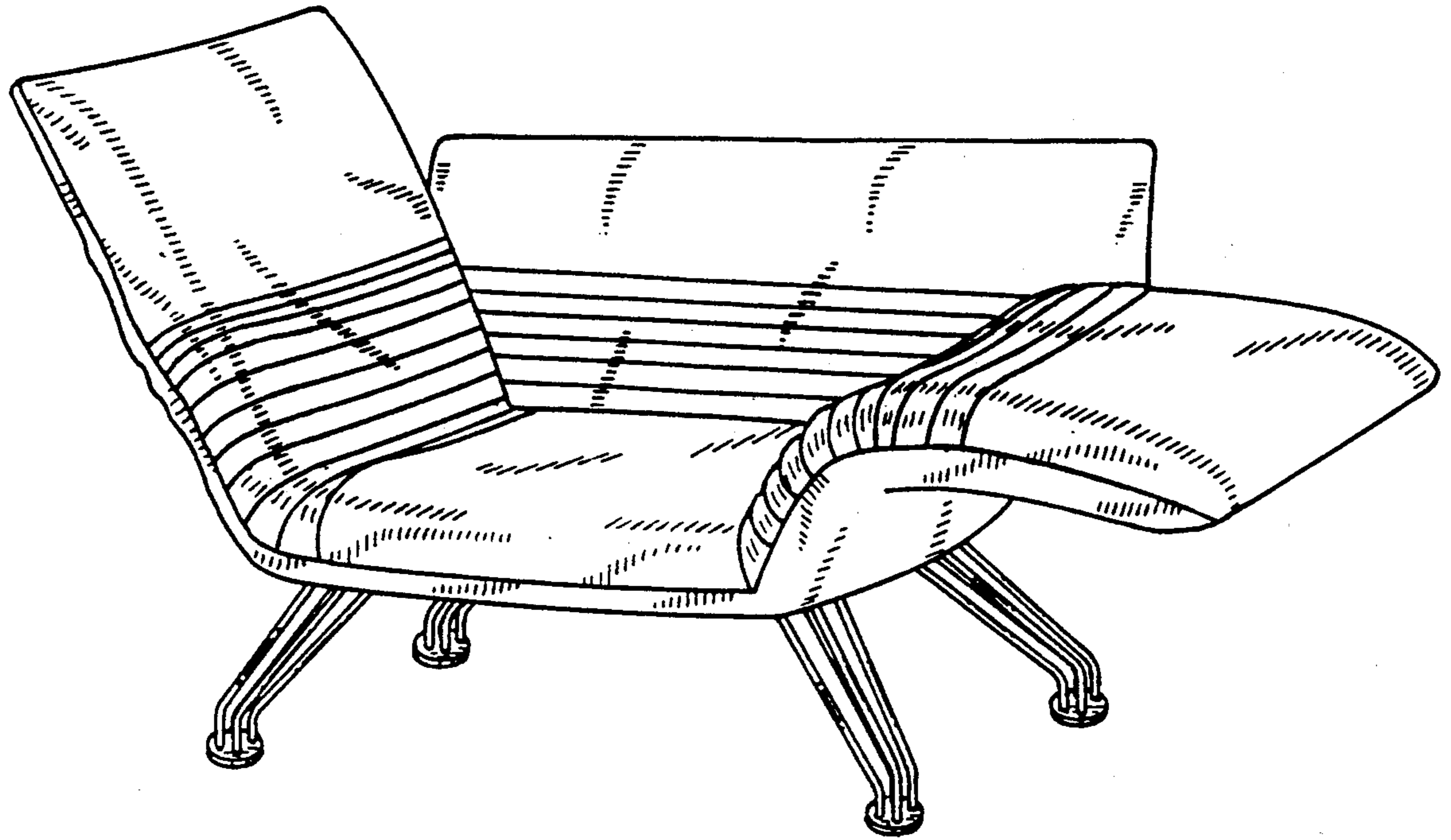


Fig. 1

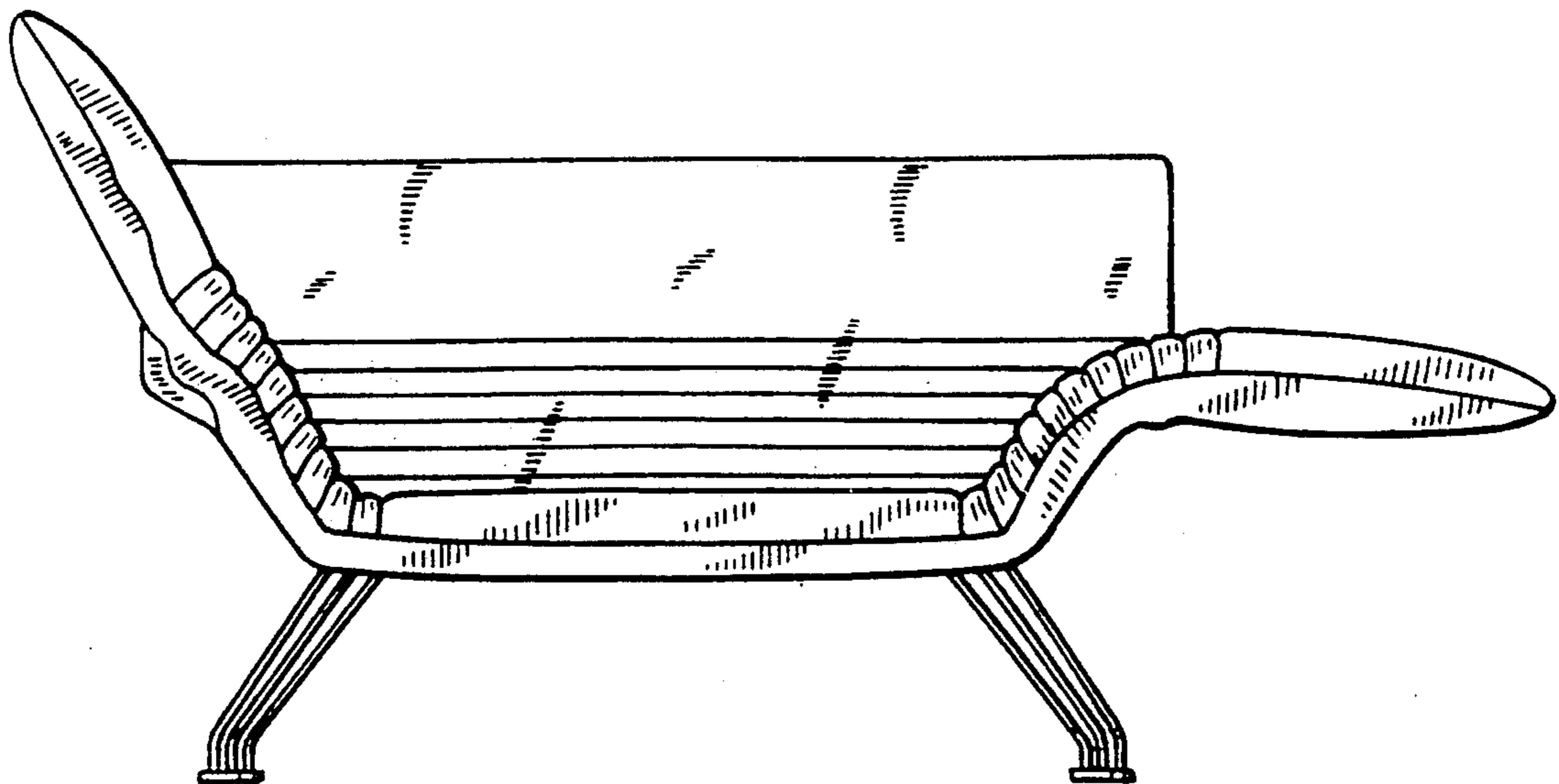


Fig. 2

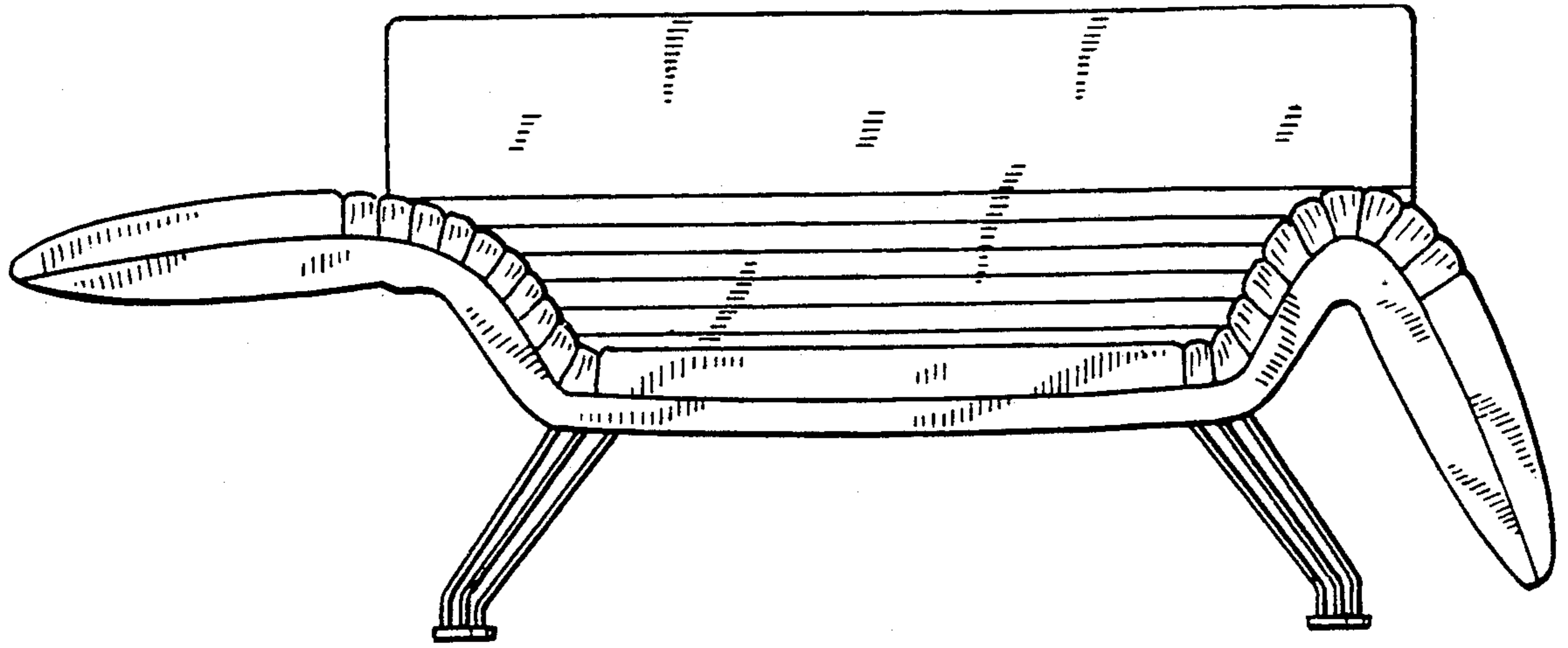


Fig. 3

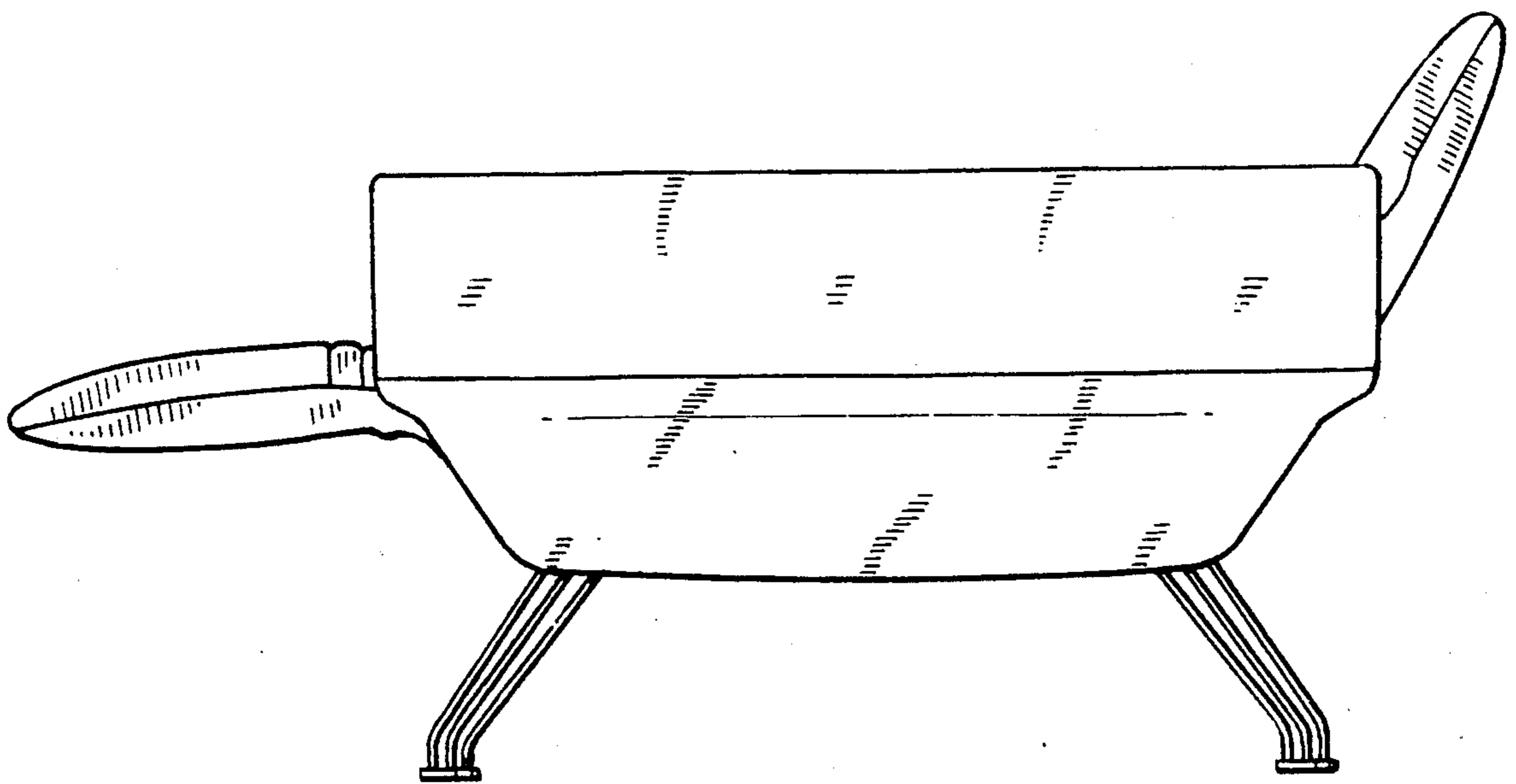


Fig. 4

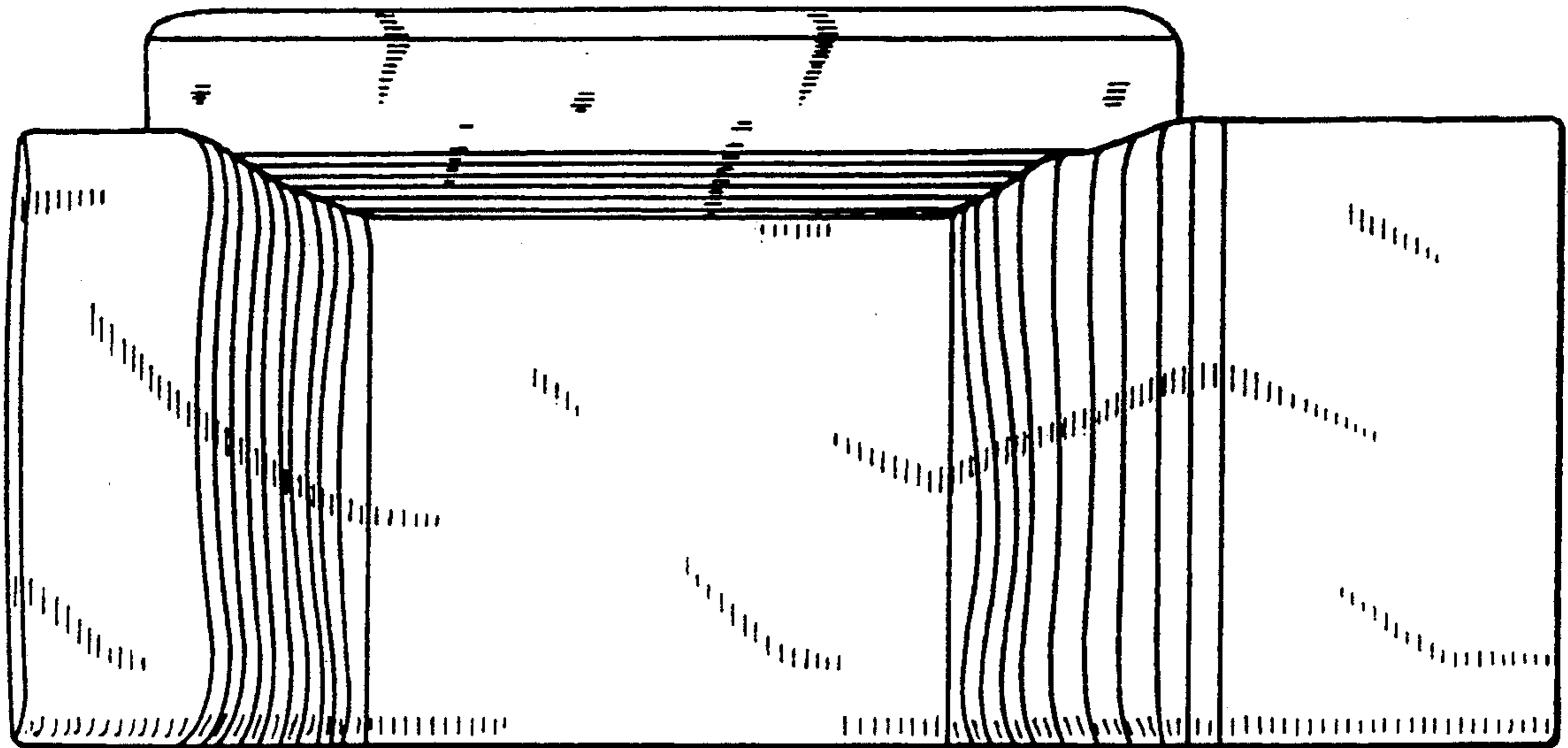


Fig. 5

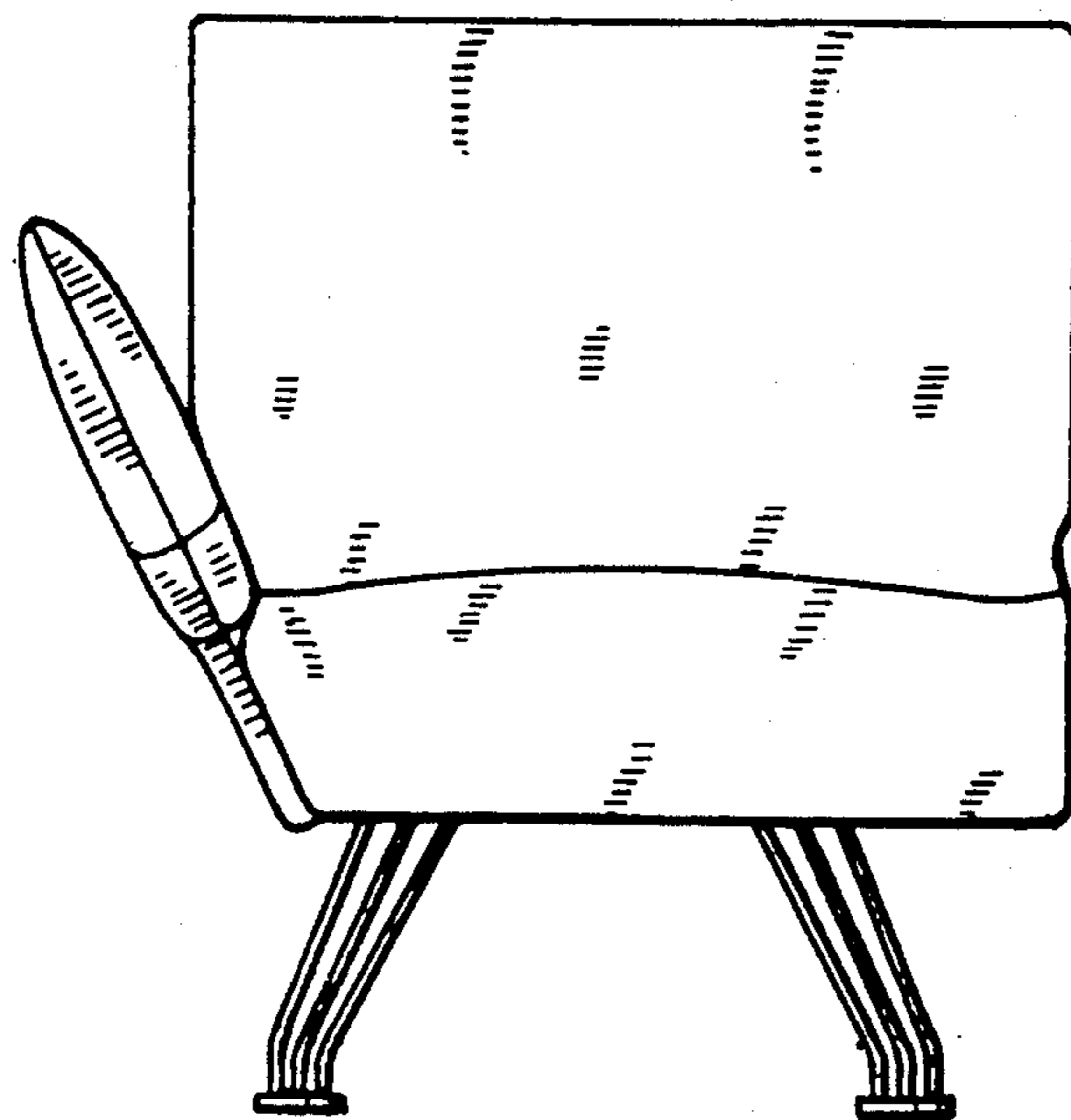


Fig. 6

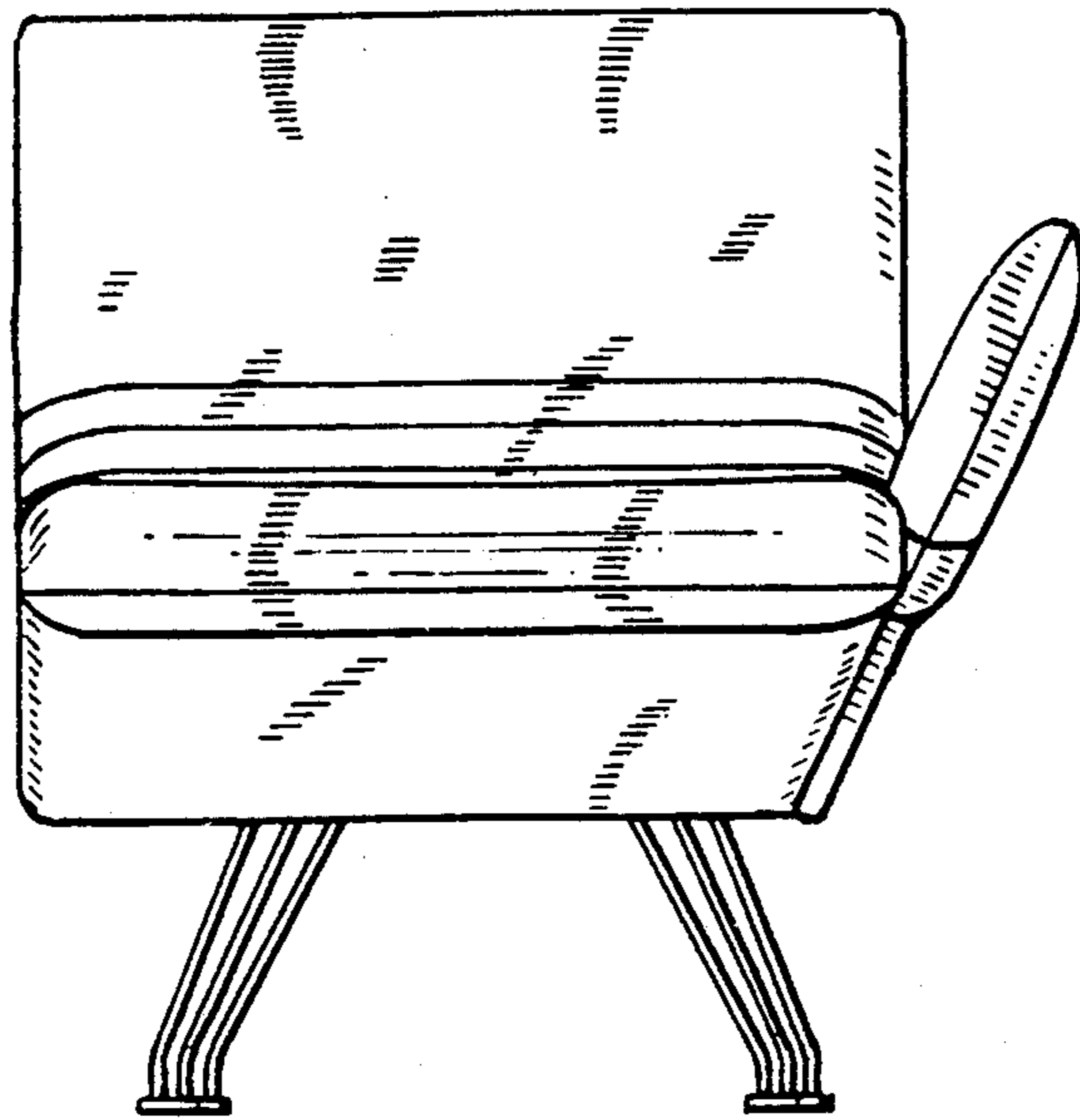


Fig. 7

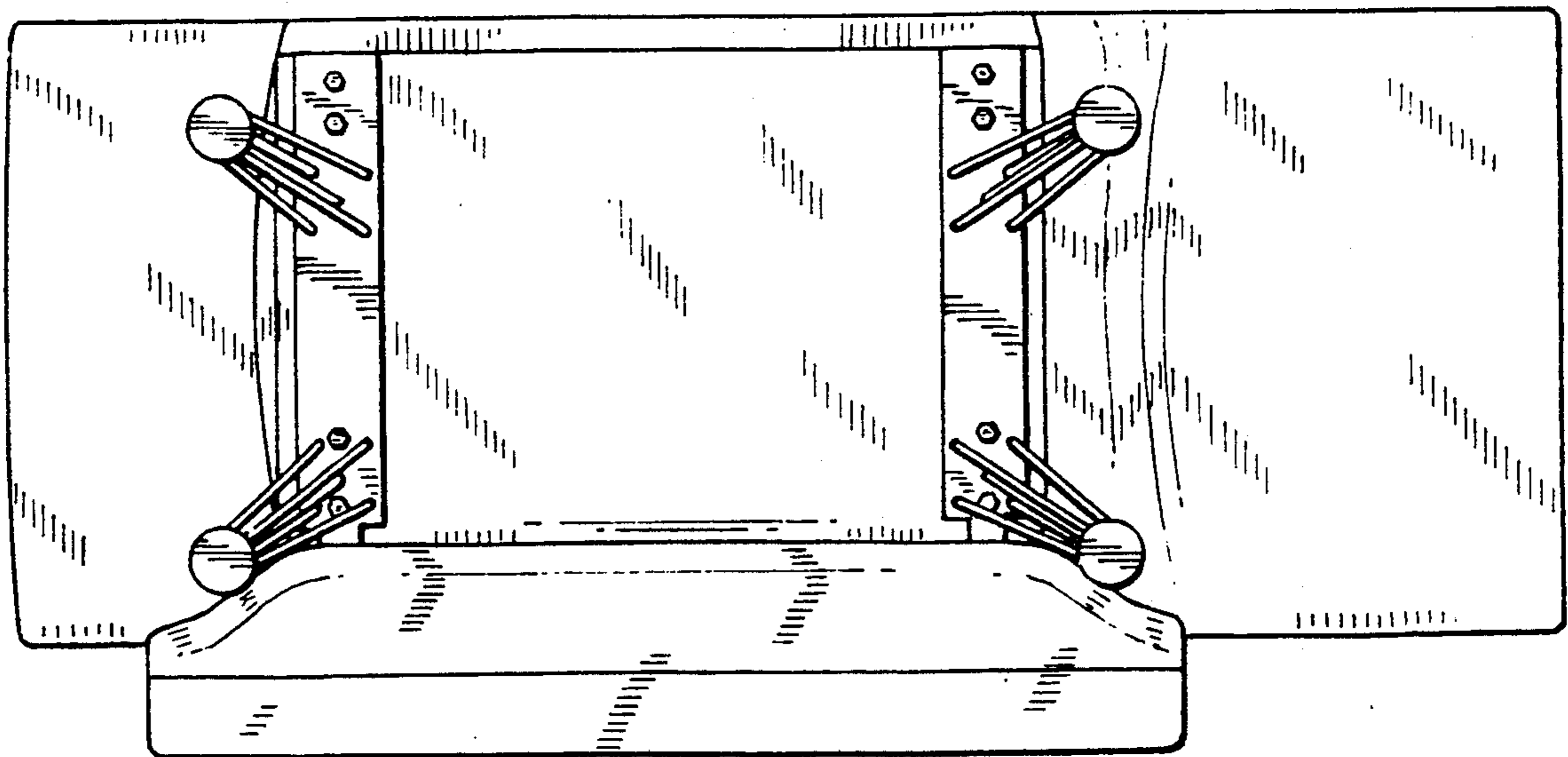


Fig. 8