

[54] **ADJUSTABLE GARMENT HANGER**

[76] **Inventor:** Jean M. Gatling, 1918 W. Bristol St., Philadelphia, Pa. 19140  
 [\*\*] **Term:** 14 Years  
 [21] **Appl. No.:** 350,685  
 [22] **Filed:** May 11, 1989

**Related U.S. Application Data**

[63] Continuation-in-part of Ser. No. 229,912, Aug. 8, 1988, Pat. No. 4,905,877, which is a continuation-in-part of Ser. No. 80,017, Jul. 31, 1987, abandoned.  
 [52] **U.S. Cl.** ..... D6/315; D6/317  
 [58] **Field of Search** ..... D6/315, 318, 319, 317; 223/85, 92, 94, 89; 211/113

[56] **References Cited**

**U.S. PATENT DOCUMENTS**

D. 244,419	5/1977	Anderson	.....	D6/317
1,880,963	10/1932	Kraft	.	
2,232,249	2/1941	Losin	.	
2,360,119	10/1944	Gallagher	.	
2,491,836	12/1949	Simmet	.	
2,494,711	1/1950	Kusher et al.	.....	223/94
2,496,561	2/1950	Saunders	.	
2,619,269	11/1952	Crossland	.....	223/89
2,754,039	7/1956	Pierce	.	
2,804,245	8/1957	Biondolillo et al.	.	
2,817,471	12/1957	Stoschy	.	
2,904,233	9/1959	Brothers	.	
3,005,579	10/1961	Thurber	.	
3,039,662	6/1962	Strong	.	
3,874,572	4/1975	McClenning	.....	223/94

**FOREIGN PATENT DOCUMENTS**

1236341 6/1960 France .  
 469185 2/1952 Italy .  
 25453 of 1910 United Kingdom .  
 0597494 1/1948 United Kingdom ..... 223/94  
 887020 3/1960 United Kingdom .

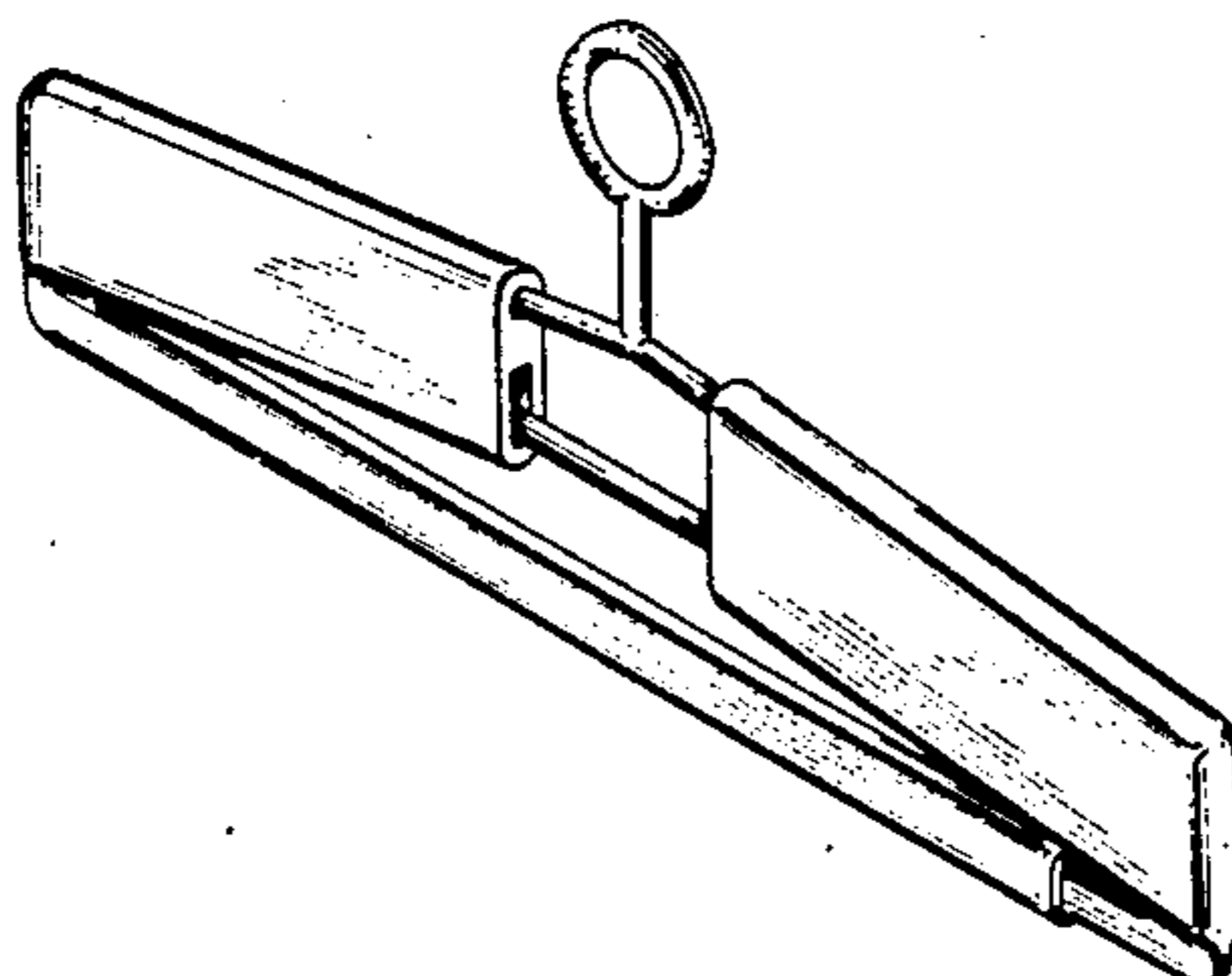
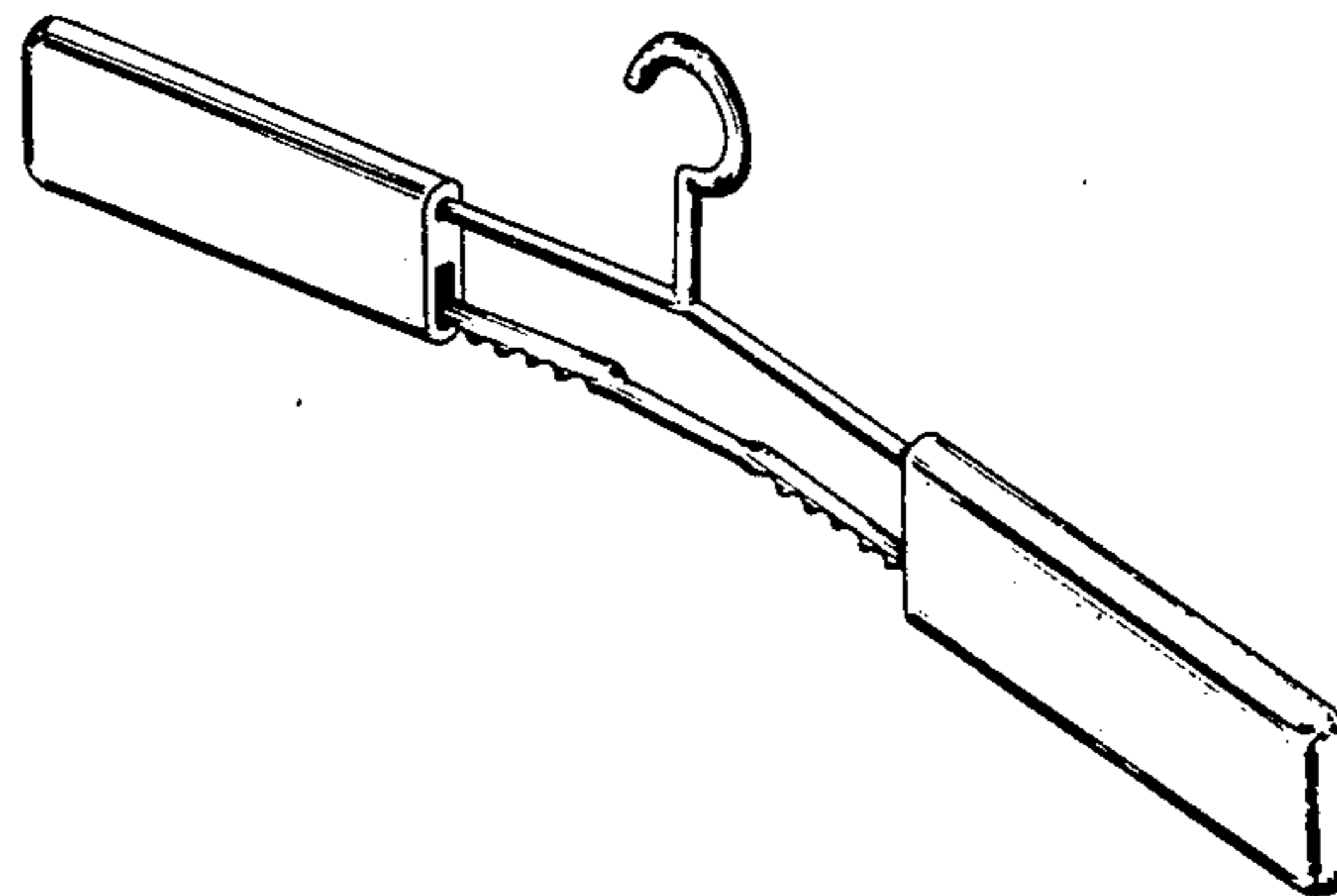
*Primary Examiner*—B. J. Bullock  
*Attorney, Agent, or Firm*—Volpe & Koenig

[57] **CLAIM**

The ornamental design for an adjustable garment hanger, as shown and described.

**DESCRIPTION**

FIG. 1 is a perspective view of an adjustable garment hanger showing my new design, in its opened form; FIG. 2 is a perspective view thereof, in its closed form; FIG. 3 is an enlarged right side elevational view thereof; FIG. 4 is an enlarged left side elevational view thereof; FIG. 5 is an enlarged top plan view thereof; FIG. 6 is an enlarged front elevational view thereof, the rear being a mirror image; FIG. 7 is an enlarged bottom plan view thereof; FIG. 8 is a perspective view of a second embodiment of the design of FIG. 1, in its opened form; FIG. 9 is a perspective view of FIG. 8, in its closed form; FIG. 10 is an enlarged right side elevational view of FIG. 8; FIG. 11 is an enlarged left side elevational view of FIG. 8; FIG. 12 is an enlarged top plan view of FIG. 8; FIG. 13 is an enlarged front elevational view of FIG. 8, the rear being a mirror image; FIG. 14 is an enlarged bottom plan view of FIG. 8.



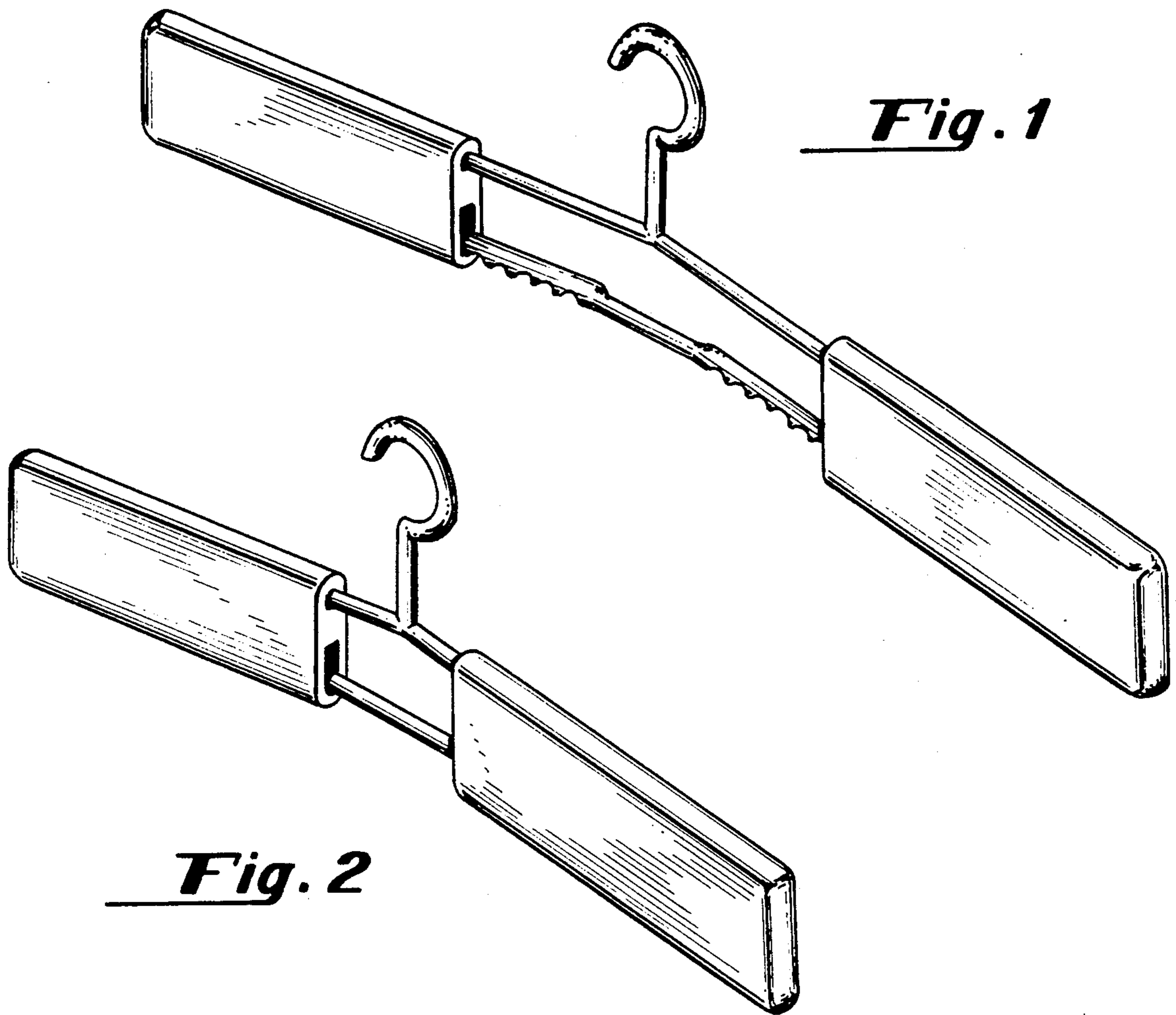


Fig. 1

Fig. 2

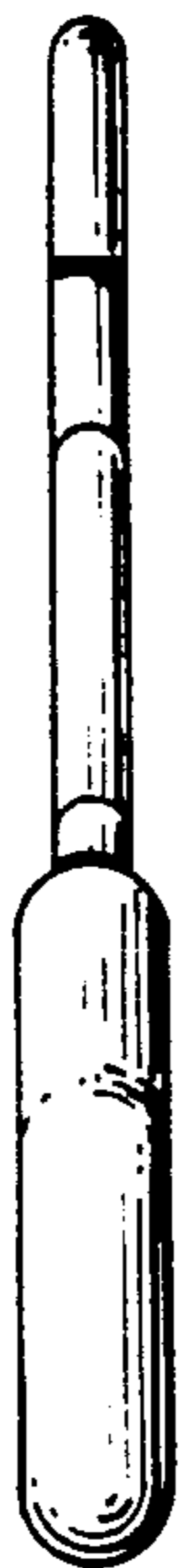


Fig. 4

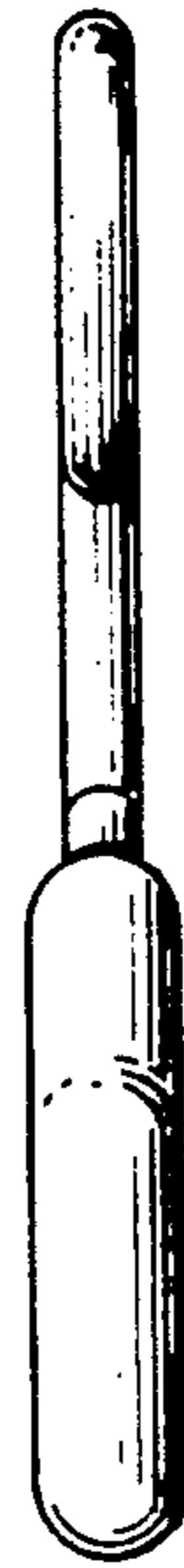
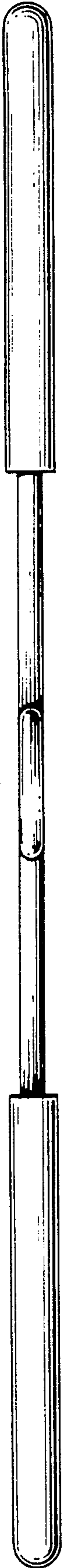
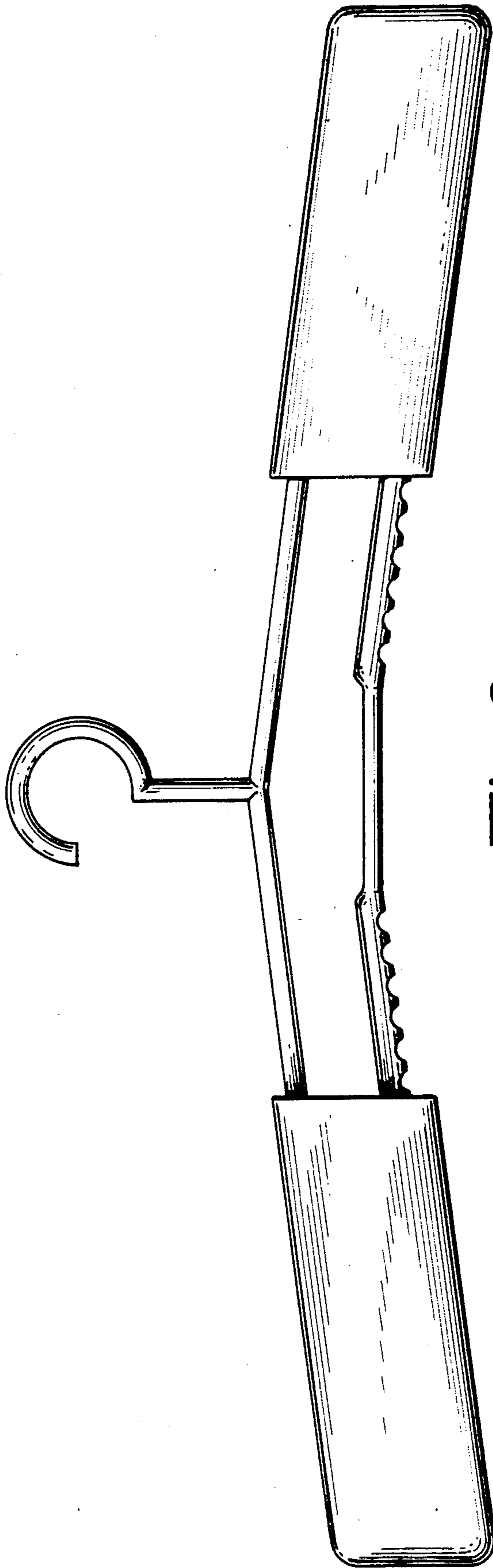


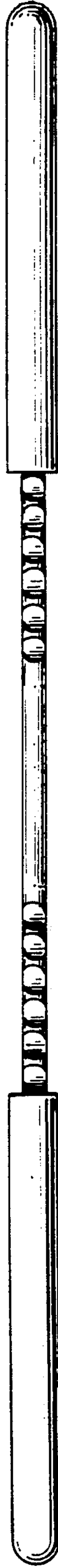
Fig. 3



*Fig. 5*

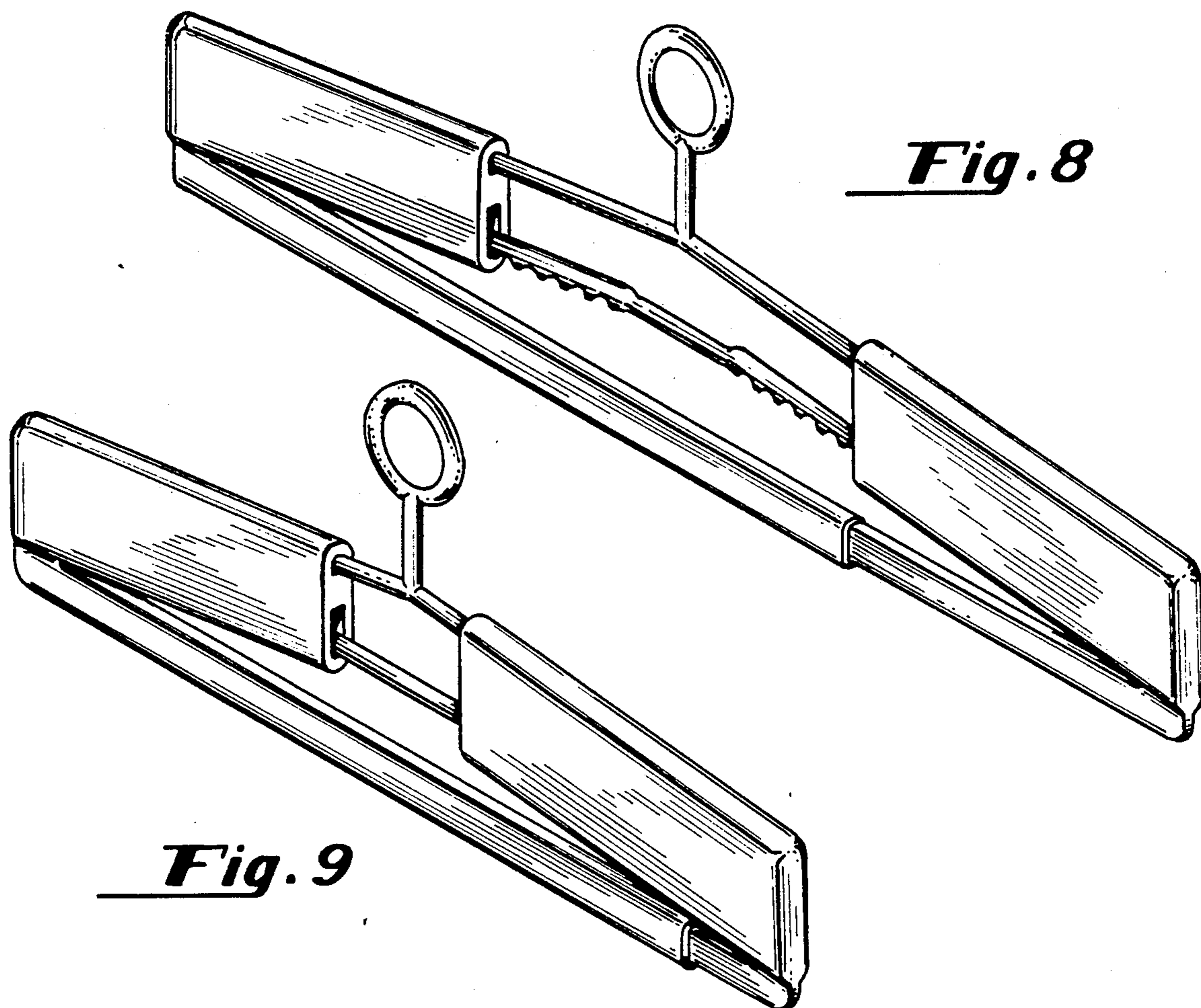


*Fig. 6*



*Fig. 7*





***Fig. 8***

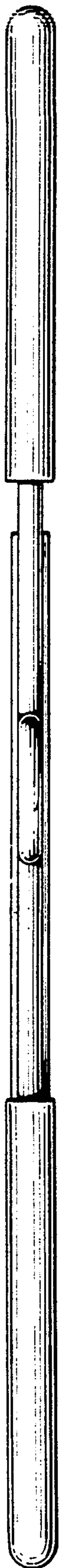
***Fig. 9***



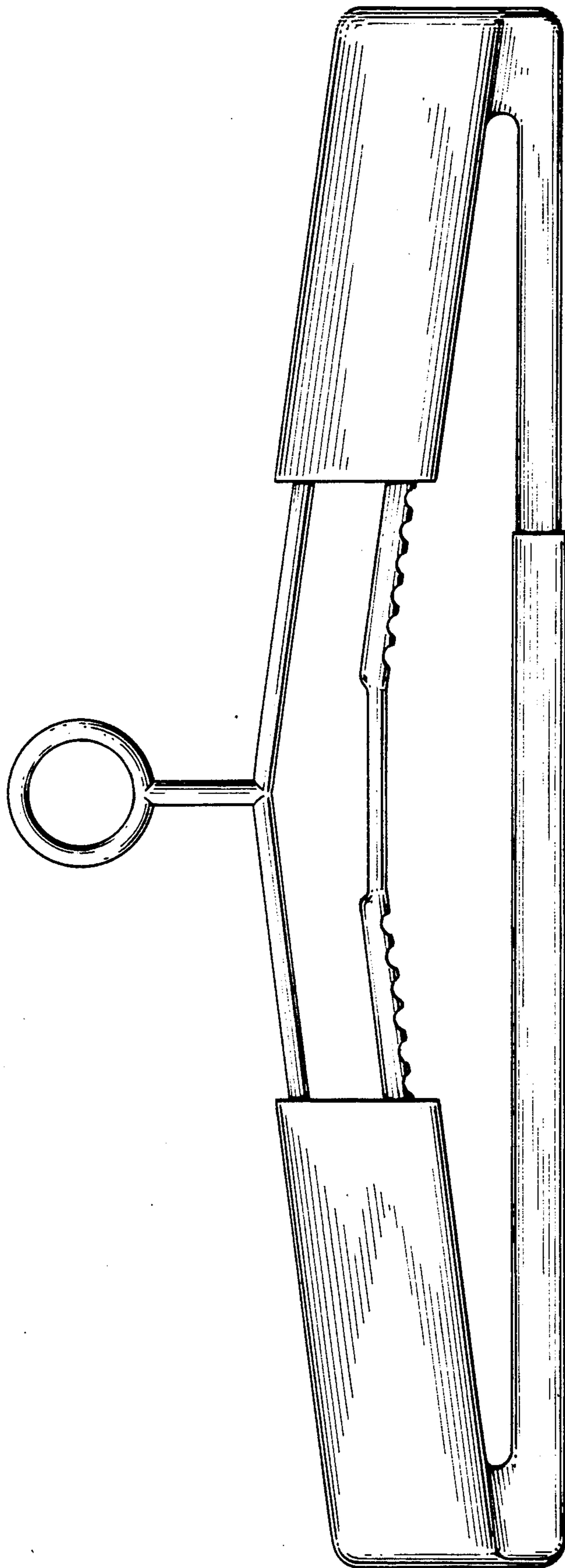
***Fig. 11***



***Fig. 10***



*Fig. 12*



*Fig. 13*



*Fig. 14*