

[54] COMBINED CONTAINER AND APPLICATOR FOR SHOE POLISH

[75] Inventor: Peter H. A. N. Kuhn, Delft, Netherlands

[73] Assignee: Kortman Intradal B.V., Veenendaal, Netherlands

[**] Term: 14 Years

[21] Appl. No.: 348,472

[22] Filed: May 5, 1989

[30] Foreign Application Priority Data

Jan. 23, 1989 [IB] Int'l Pat. Institute DM/012.642

[52] U.S. Cl. D4/116; D4/114; D9/338; D9/352

[58] Field of Search D3/30.5; D4/114, 116, D4/119, 120, 127, 137; D9/337, 338, 349-355, 377, 390, 399, 436; D19/66, 71; D24/63; 401/123-131; 15/258, 244.1, 209 R, 104.94

[56] References Cited

U.S. PATENT DOCUMENTS

- D. 20,376 12/1890 Meinecke D9/400
- D. 189,266 11/1960 Harris D4/116
- D. 221,602 8/1971 Neis D3/30.5
- D. 228,548 10/1973 Connan D9/452

- D. 229,689 12/1973 Dragotta D9/338 X
- 632,806 9/1899 Cragin 401/125 X
- 711,679 10/1902 Ritz 401/125 X
- 897,103 7/1908 Bardroff 401/186 X
- 4,466,452 8/1984 Ferrari 15/104.94 X

FOREIGN PATENT DOCUMENTS

- 597024 11/1925 France 215/1 R
- 103052 1/1917 United Kingdom 215/1 R

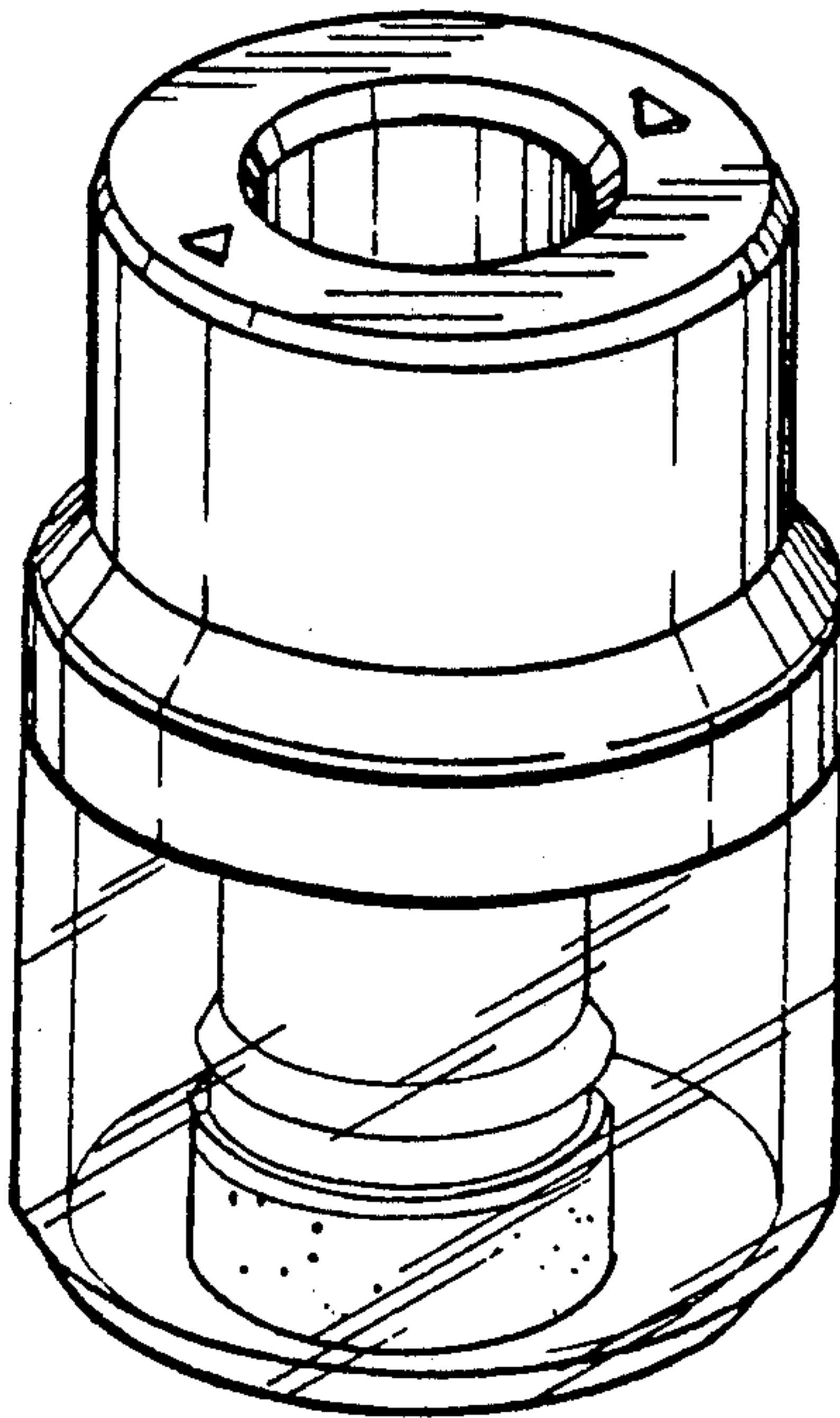
Primary Examiner—Bernard Ansher
Assistant Examiner—C. Tuttle
Attorney, Agent, or Firm—Graham, Campaion & McCarthy

[57] CLAIM

The ornamental design for a combined container and applicator for shoe polish, as shown and described.

DESCRIPTION

FIG. 1 is a top perspective view of a combined container and applicator for shoe polish showing my new design;
FIG. 2 is a side elevational view thereof, the side opposite being a mirror image of the side shown;
FIG. 3 is a top plan view thereof;
FIG. 4 is a bottom plan view thereof;
FIG. 5 is an exploded side elevational view thereof; and
FIG. 6 is a bottom plan view of the applicator portion, shown separately for clarity of illustration.



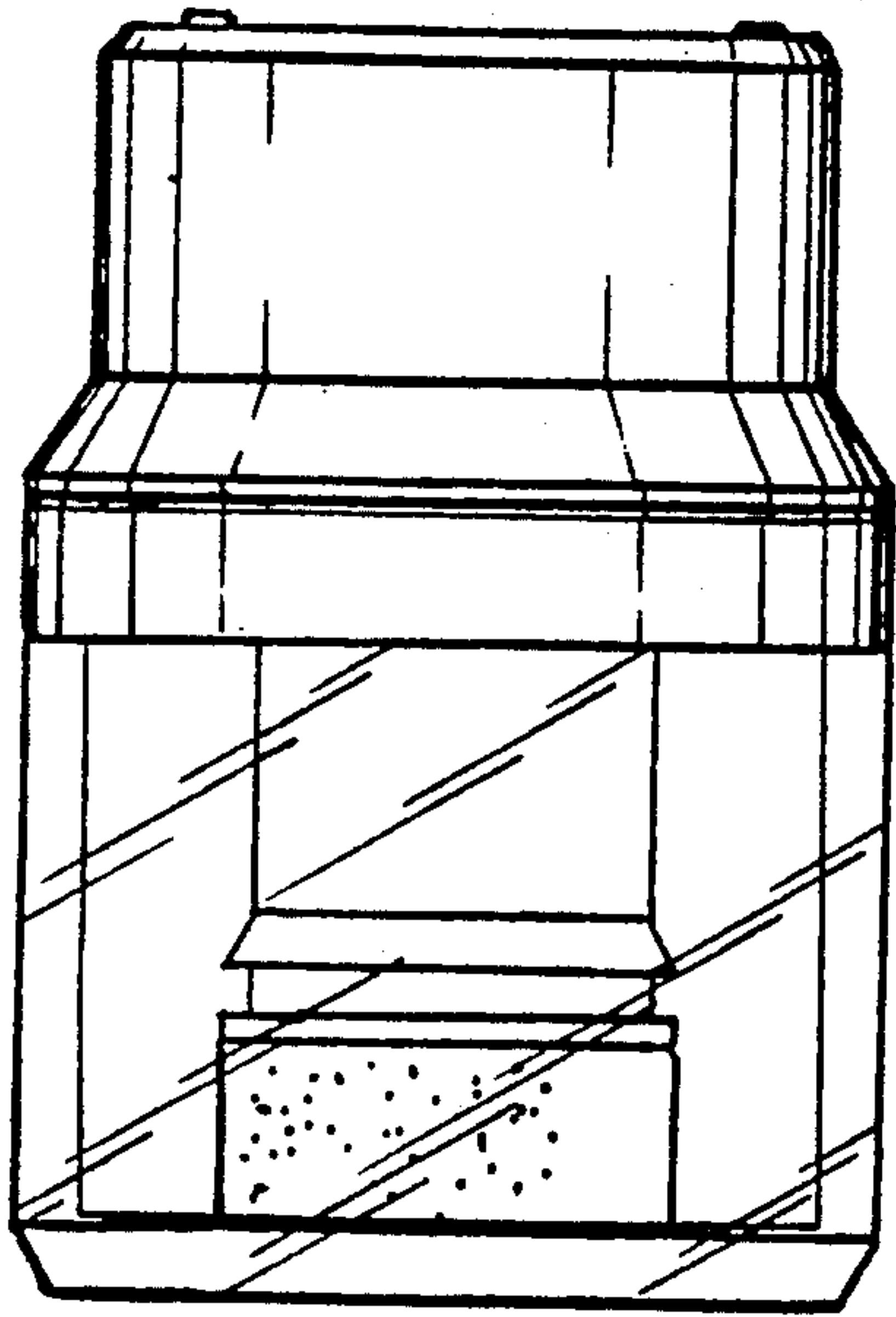


FIG. 2

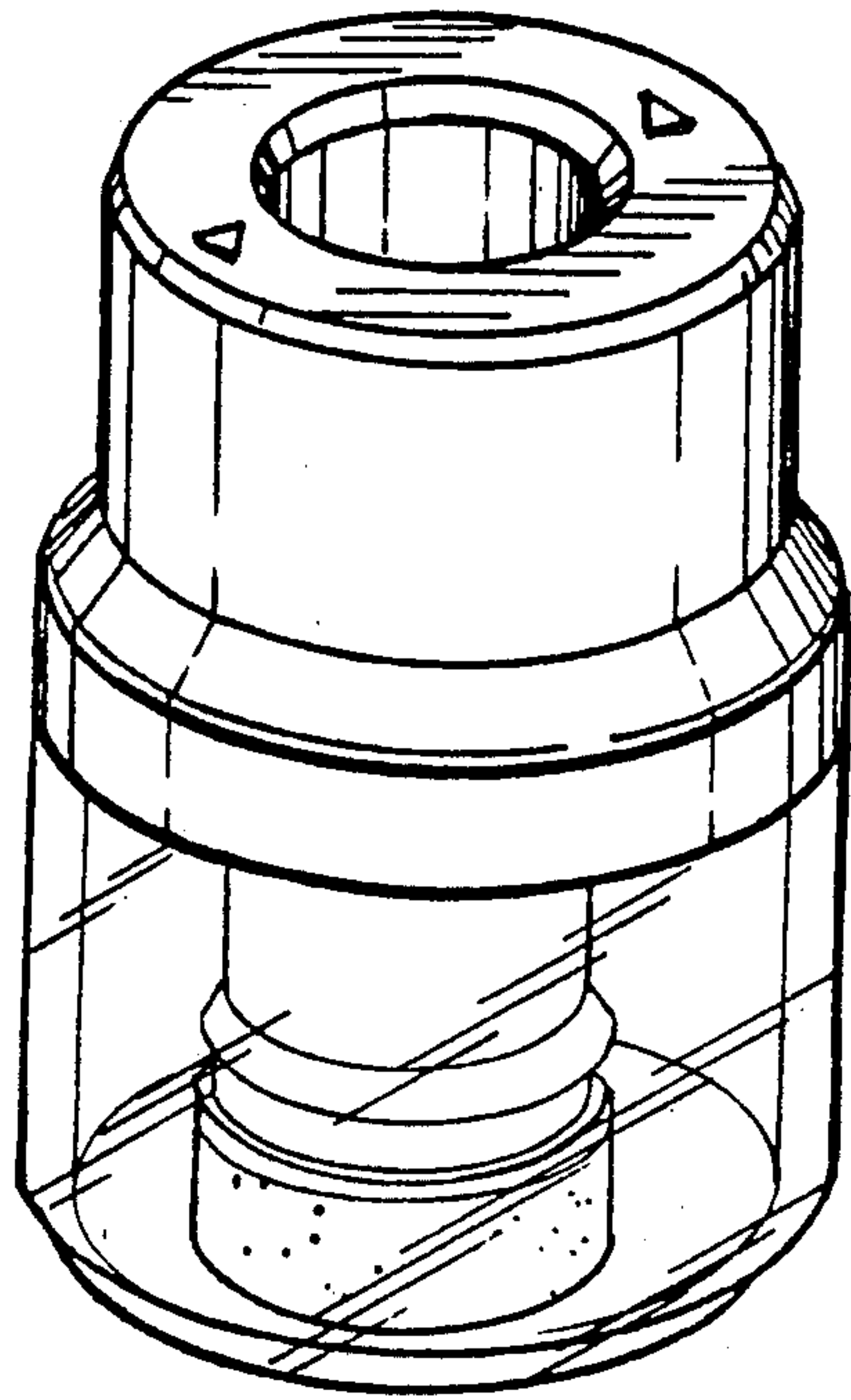


FIG. 1

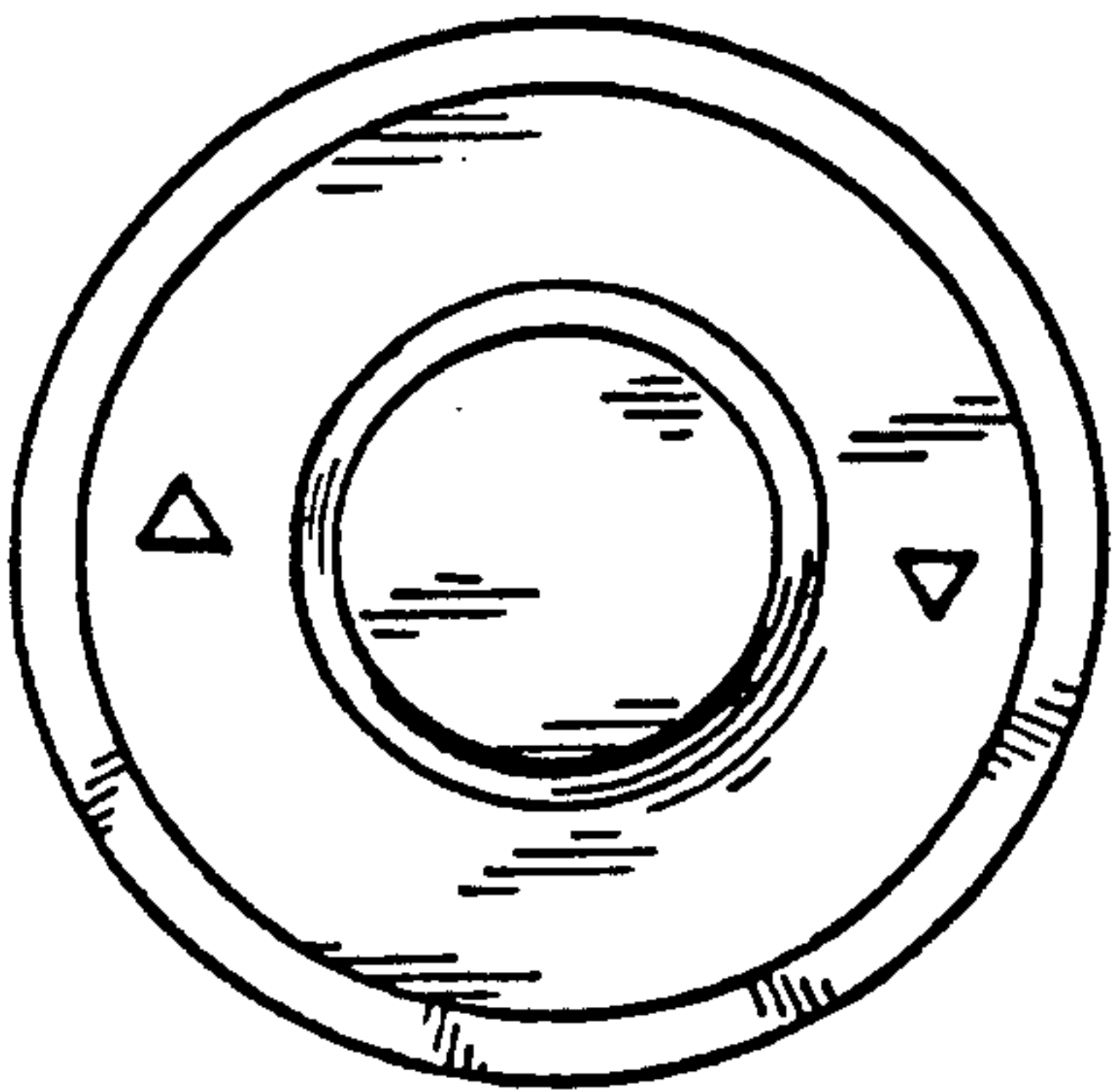


FIG. 3

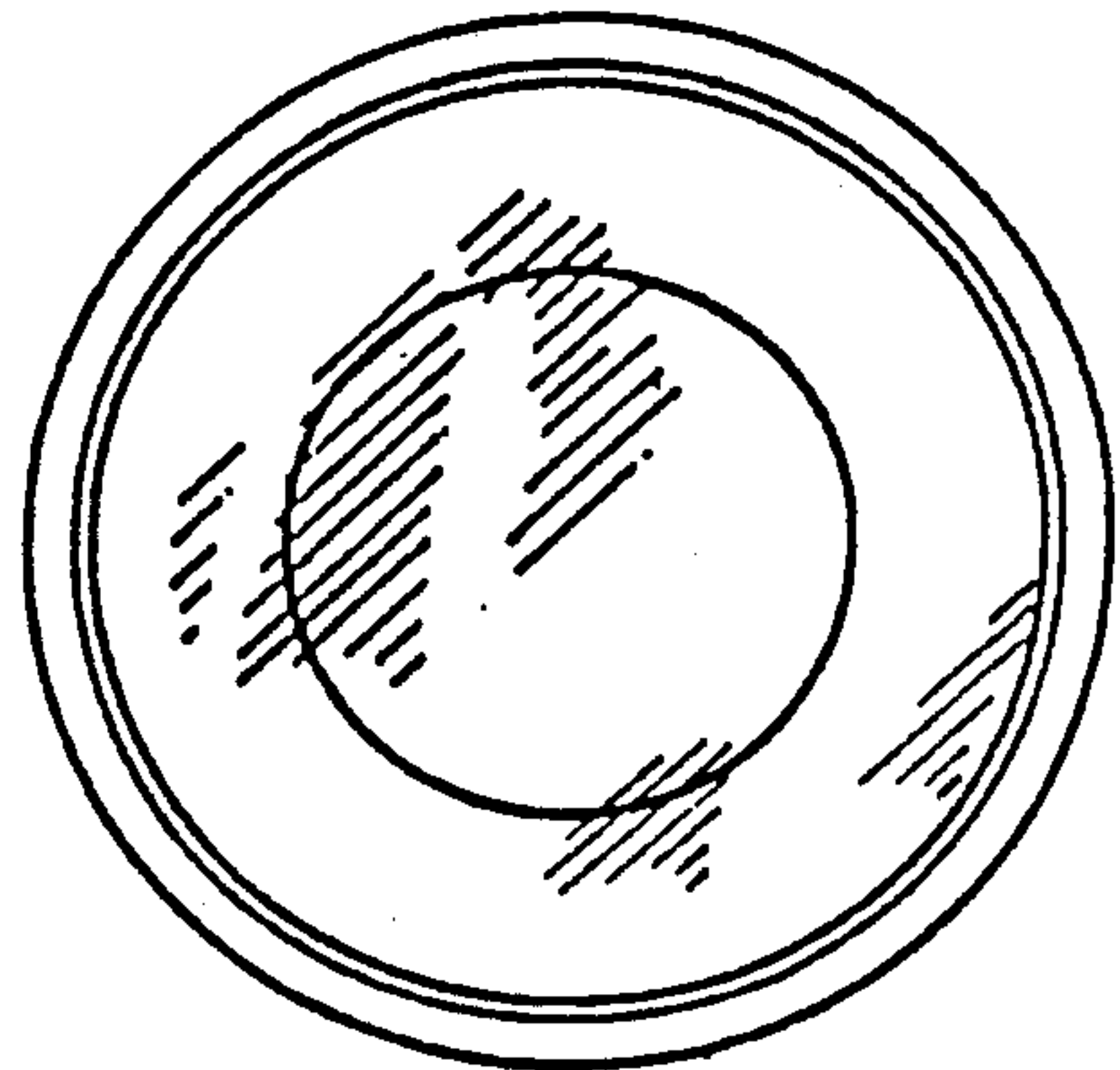


FIG. 4

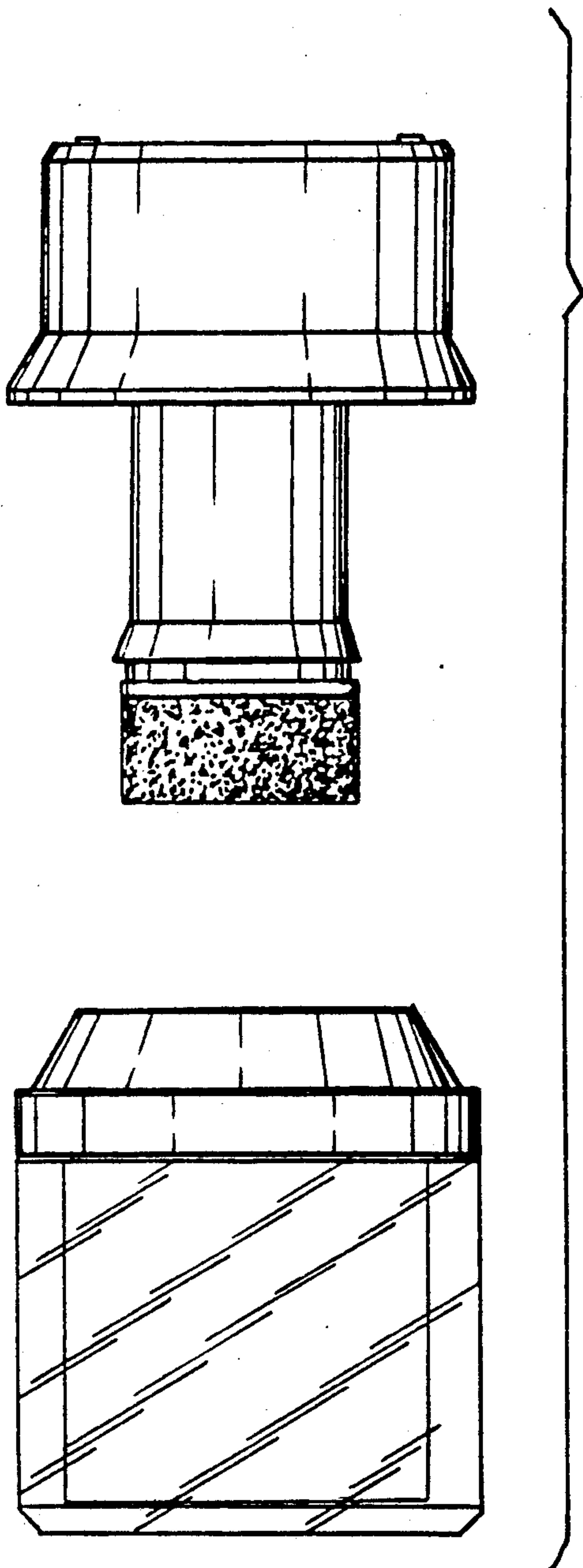


FIG. 5

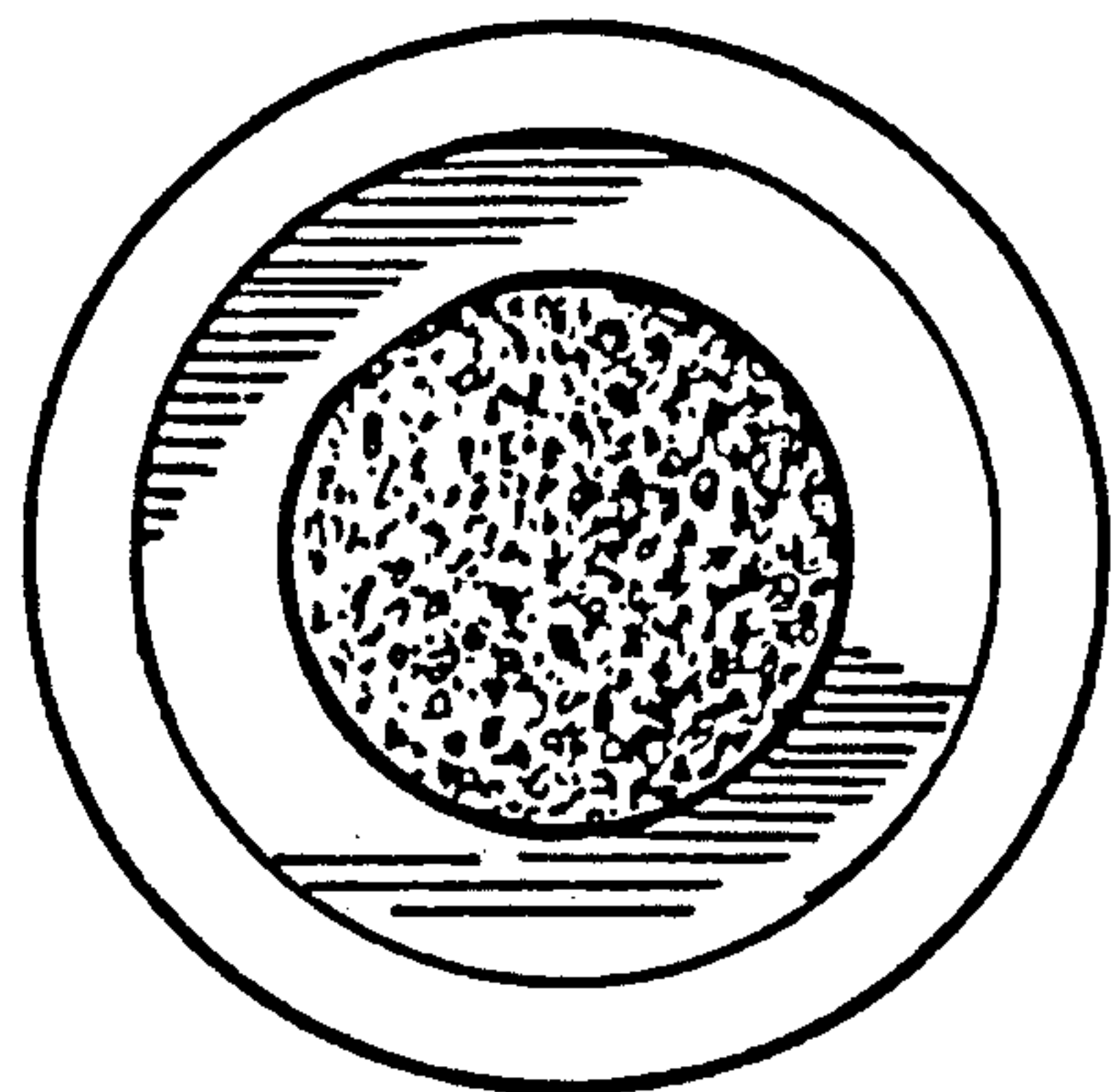


FIG. 6