

[54] **FOLDABLE SPORTWEAR BAG**

[75] **Inventor: Maria D'Angelo, New York, N.Y.**

[73] **Assignee: Gitano Licensing, Ltd., Wilmington, Del.**

[**] **Term: 14 Years**

[21] **Appl. No.: 254,675**

[22] **Filed: Oct. 7, 1988**

[52] **U.S. Cl. D3/36; D3/52**

[58] **Field of Search D3/39, 106, 42, 43, D3/46, 48, 50, 52, 36, 74, 75; 150/107, 111, 112, 113, 114, 117, 131, 147; 190/107, 109, 111, 115, 902, 2; 206/315.1; 383/122, 907, 38, 39, 86, 75**

[56] **References Cited**

U.S. PATENT DOCUMENTS

1,817,750	8/1931	Lipschutz et al.	150/112 X
2,010,513	8/1935	Green et al.	150/117 X
2,431,472	11/1947	Fistell	150/147
2,754,867	7/1956	Langer	383/39 X
4,682,310	7/1987	Lund et al.	150/131 X

FOREIGN PATENT DOCUMENTS

0260897 11/1926 United Kingdom 150/107

Primary Examiner—Louis S. Zarfaz
Assistant Examiner—M. N. Pandozzi
Attorney, Agent, or Firm—Gottlieb, Rackman & Reisman

[57] **CLAIM**

The ornamental design for a foldable sportswear bag, as shown and described.

DESCRIPTION

FIG. 1 is a front perspective view of a foldable sportswear bag showing my new design;
FIG. 2 is a right side elevational view, the left side being a mirror image thereof;
FIG. 3 is a top plan view thereof;
FIG. 4 is a rear elevational view thereof;
FIG. 5 is a bottom plan view thereof;
FIG. 6 is a front perspective view thereof in an unfolded position;
FIG. 7 is a rear perspective view thereof.

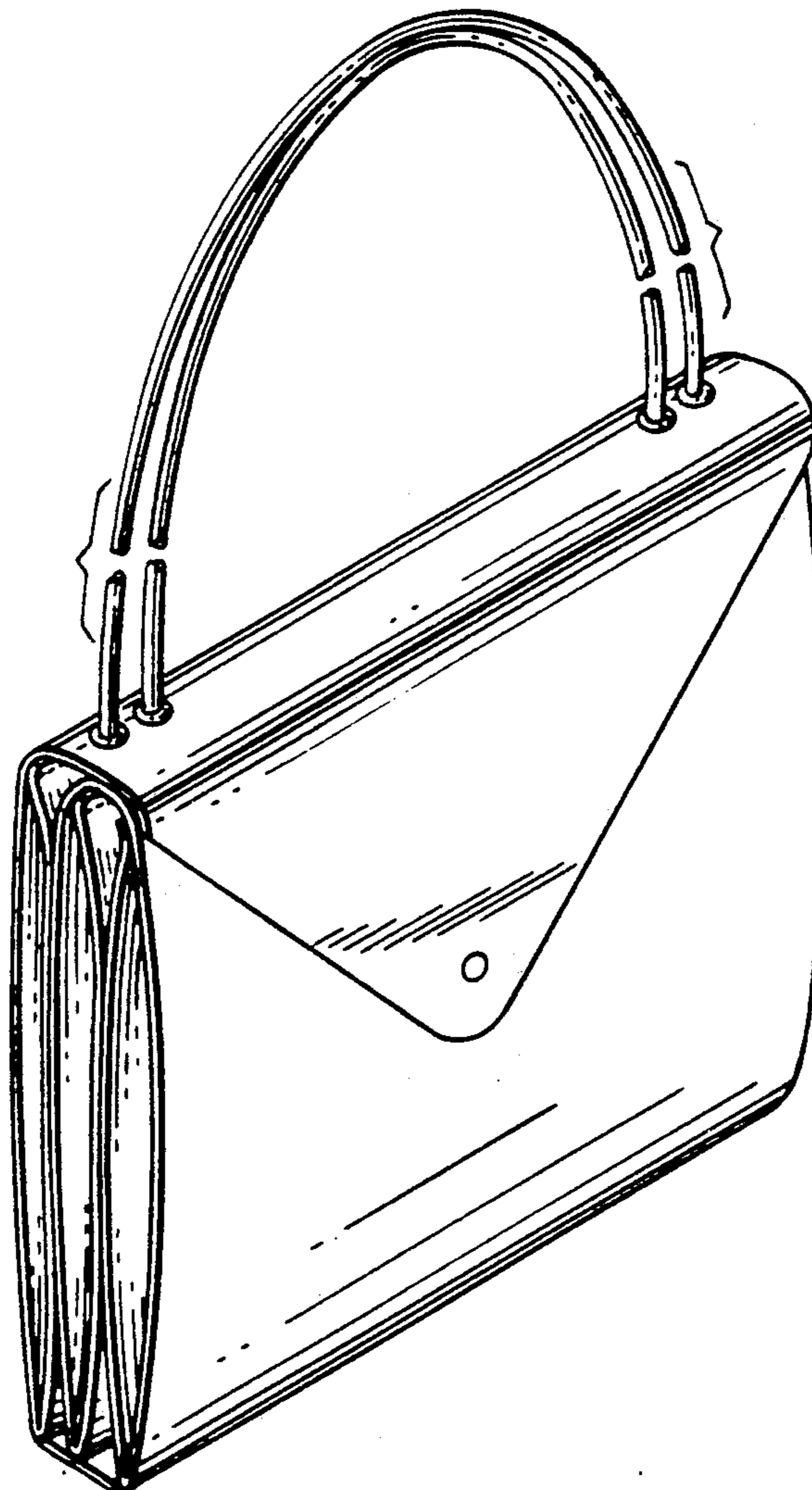


FIG. 1

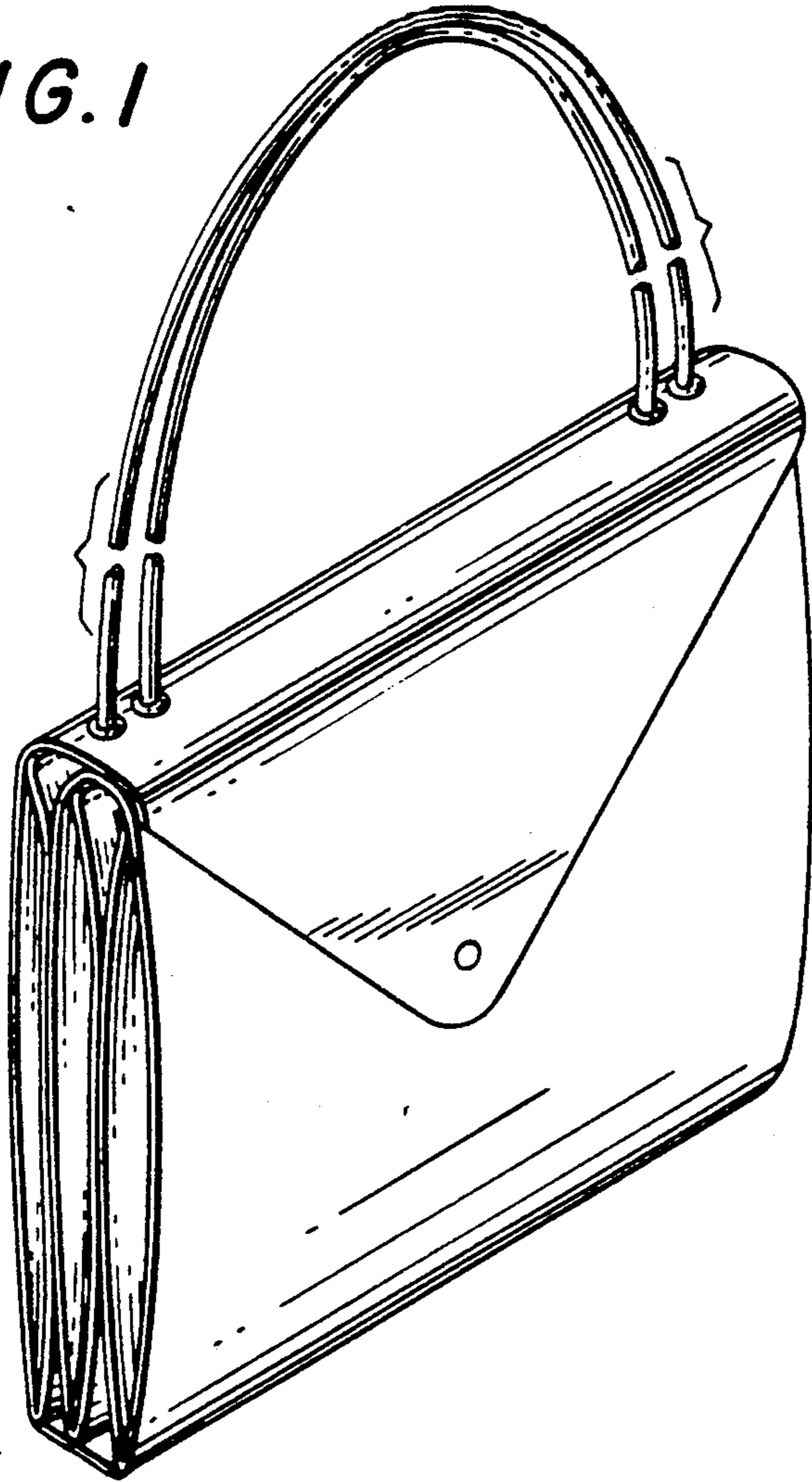


FIG. 2

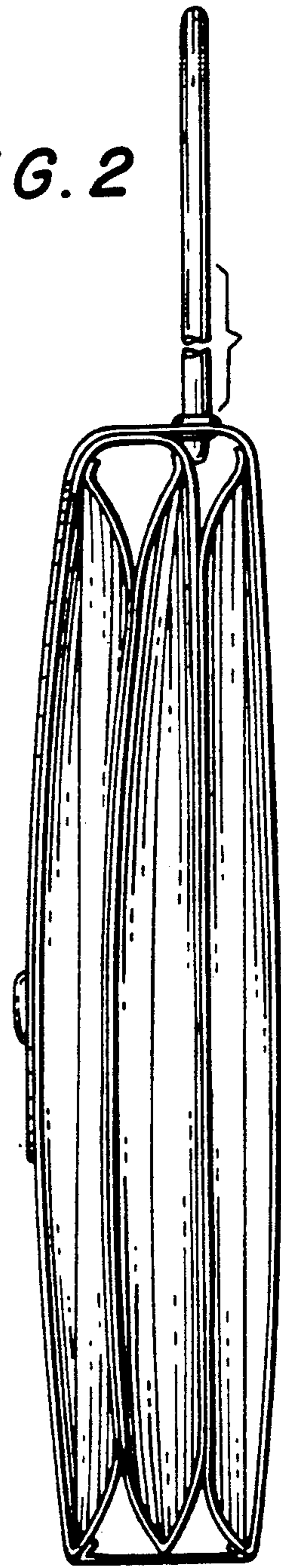


FIG. 3

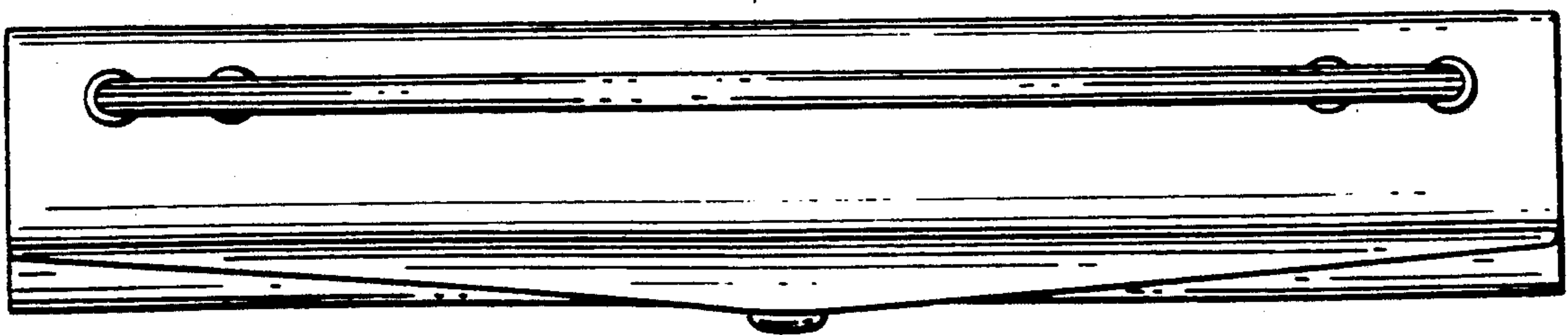


FIG. 4

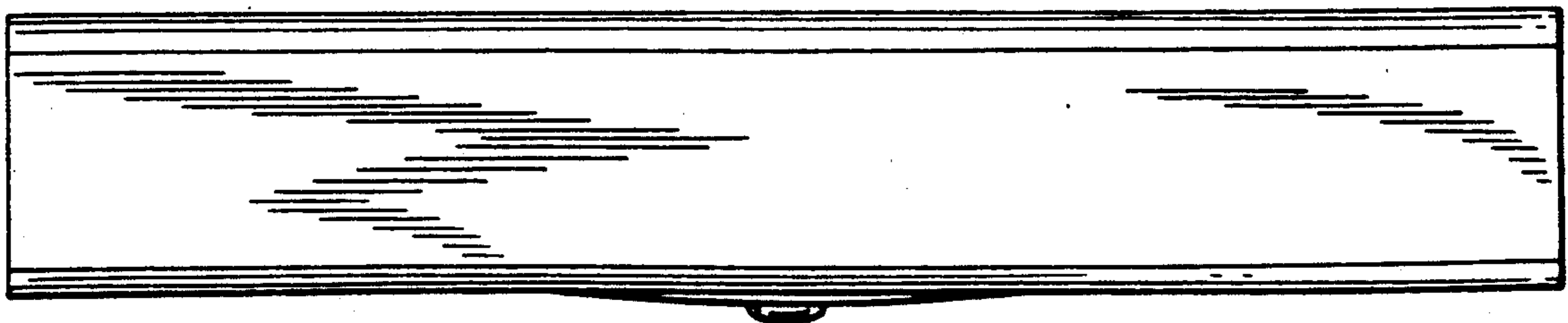
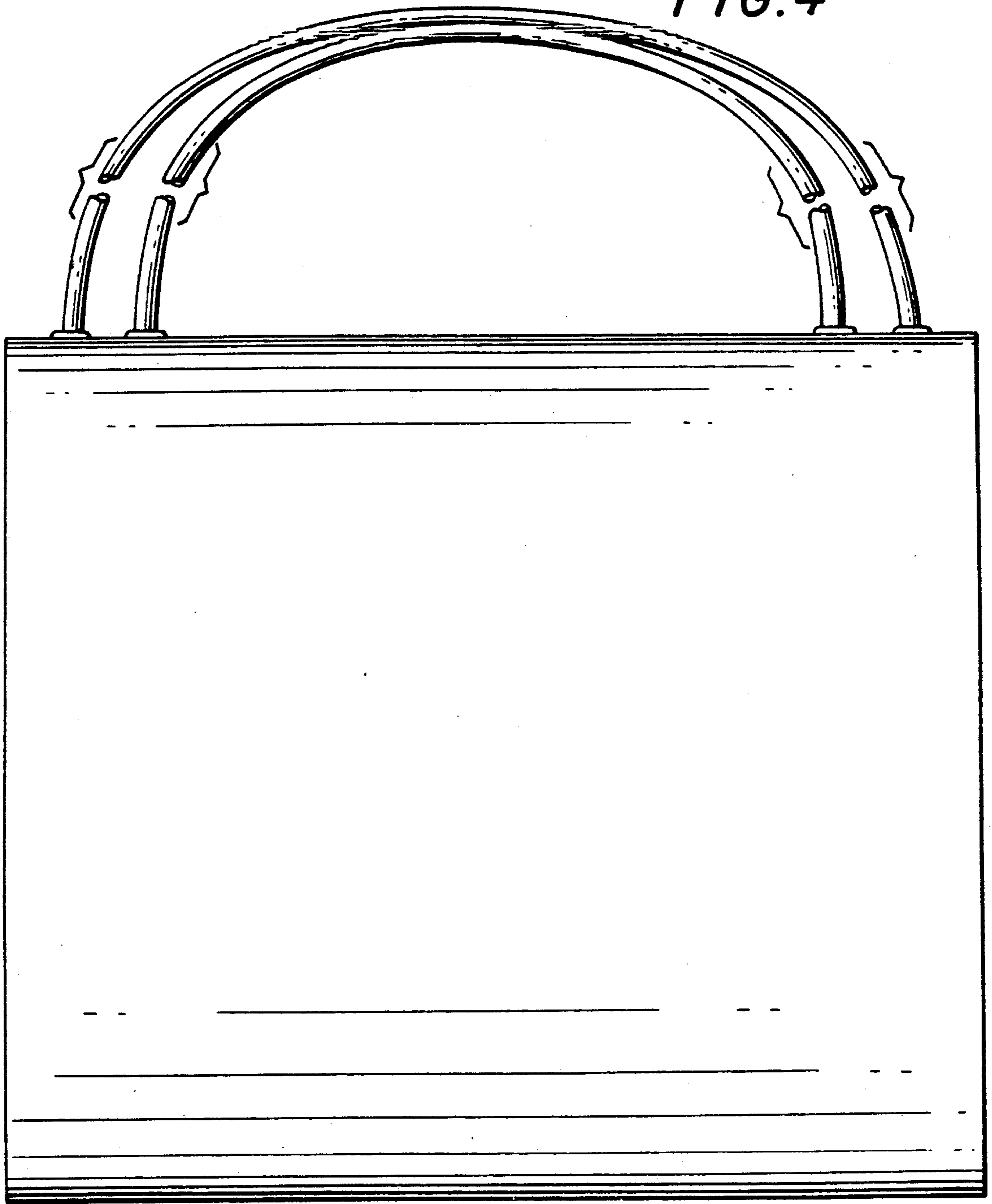


FIG. 5

FIG. 6

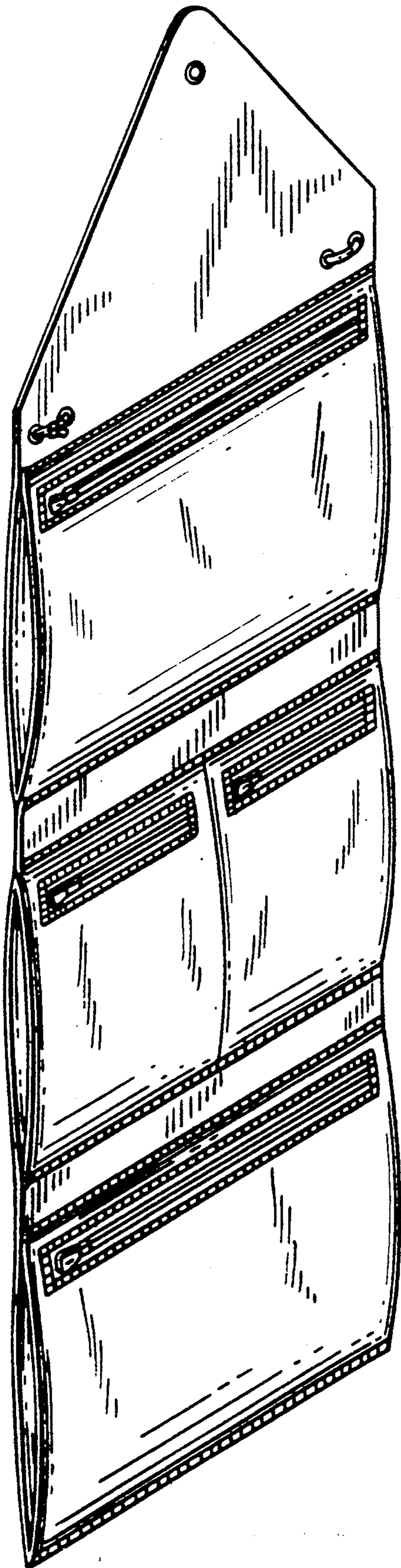


FIG. 7

