

[54] MOP BUCKET

[75] Inventor: Paul E. Delmerico, Winchester, Va.

[73] Assignee: Rubbermaid Commercial Products Inc., Winchester, Va.

[\*\*] Term: 14 Years

[21] Appl. No.: 314,204

[22] Filed: Feb. 23, 1989

[52] U.S. Cl. .... D32/53

[58] Field of Search ..... D32/35, 37, 53, 53.1, D32/54; D34/5, 39-45; D7/601-603; D9/349, 352, 355, 379; 15/260-264; 220/85 R, 91, 94 R, 94 A, 95, 904, DIG. 13-DIG. 14; 229/910; 280/79.2

[56] References Cited

U.S. PATENT DOCUMENTS

- D. 236,796 9/1975 Deuschle ..... D32/53
- D. 248,610 7/1978 Schwartz ..... D32/53
- 4,713,859 12/1987 Smith, Jr. .... 15/264

FOREIGN PATENT DOCUMENTS

2219731 12/1989 United Kingdom ..... 15/264

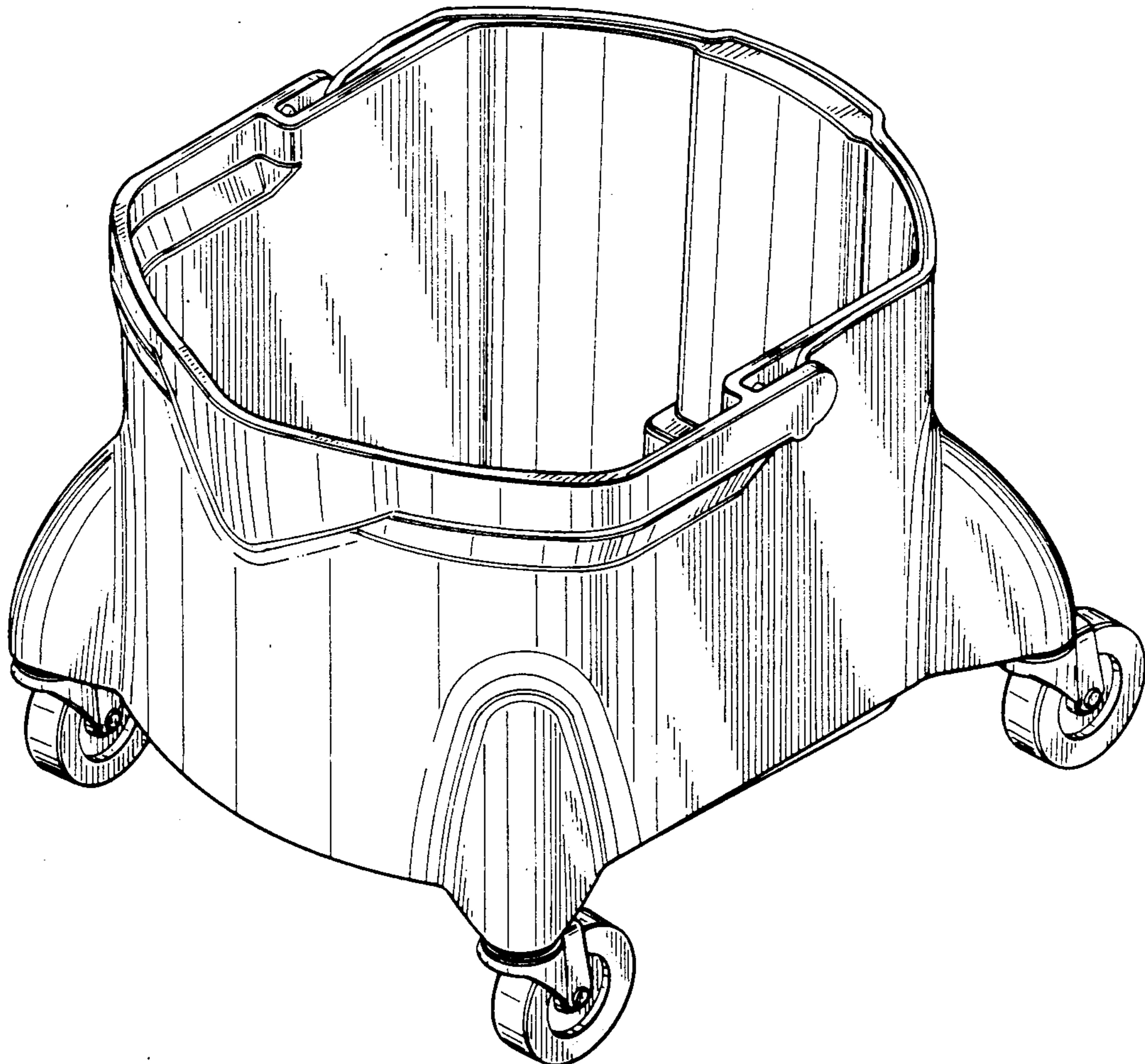
Primary Examiner—James M. Gandy  
Assistant Examiner—Lavone D. Tabor  
Attorney, Agent, or Firm—Richard B. O’Planick

[57] CLAIM

The ornamental design for a mop bucket, as shown and described.

DESCRIPTION

FIG. 1 is a front perspective view of a mop bucket embodying my new design.  
 FIG. 2 is a front elevational view thereof.  
 FIG. 3 is a rear elevational view thereof.  
 FIG. 4 is a top plan view thereof.  
 FIG. 5 is a bottom plan view thereof.  
 FIG. 6 is a side elevational view thereof; the opposite side being a mirror image.  
 FIG. 7 is longitudinal sectional view thereof taken along the line 7—7 of FIG. 2.  
 The broken line showing of a handle in FIG. 2 is for illustrative purposes only and forms no part of the claimed design.



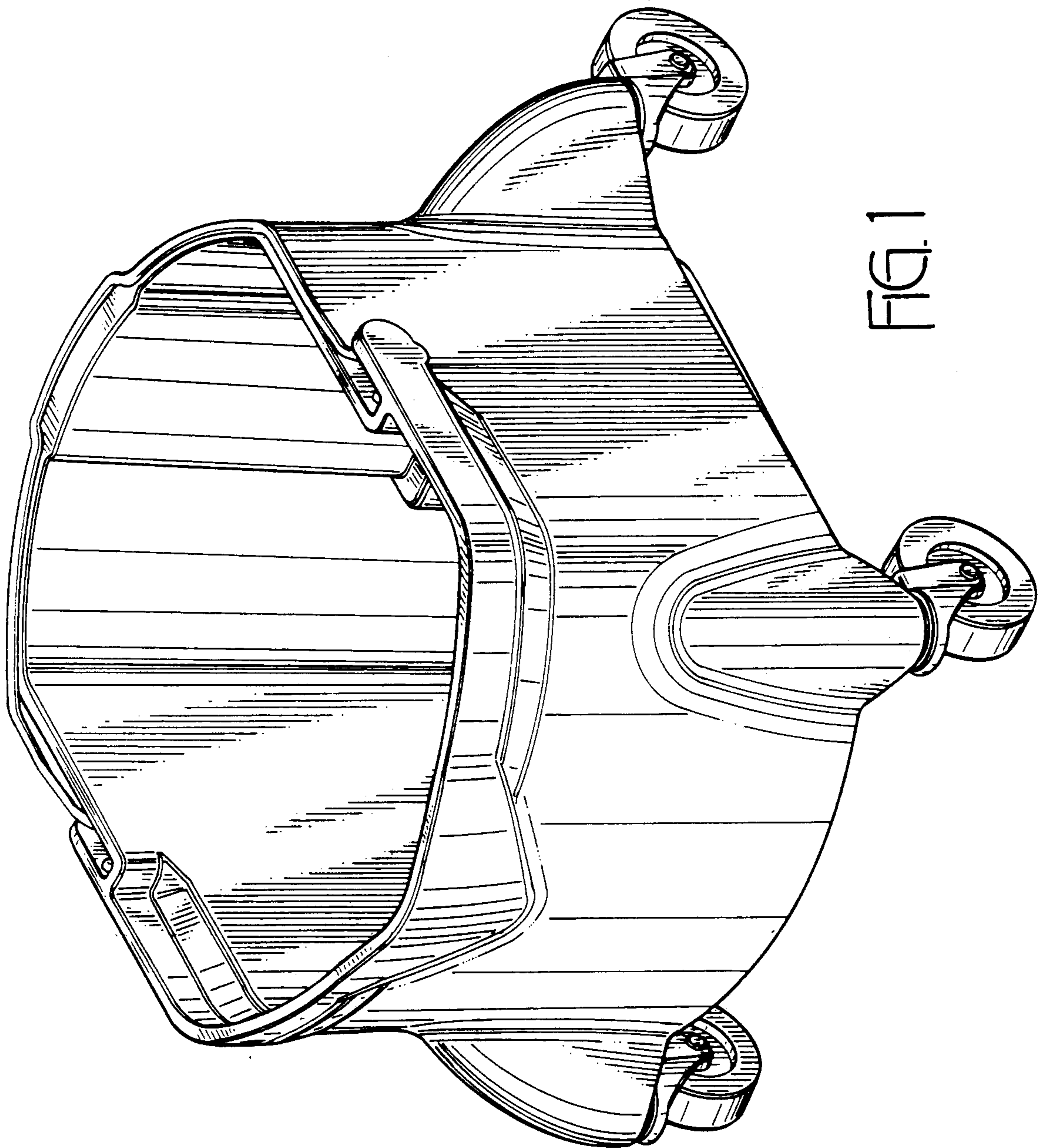


FIG. 1

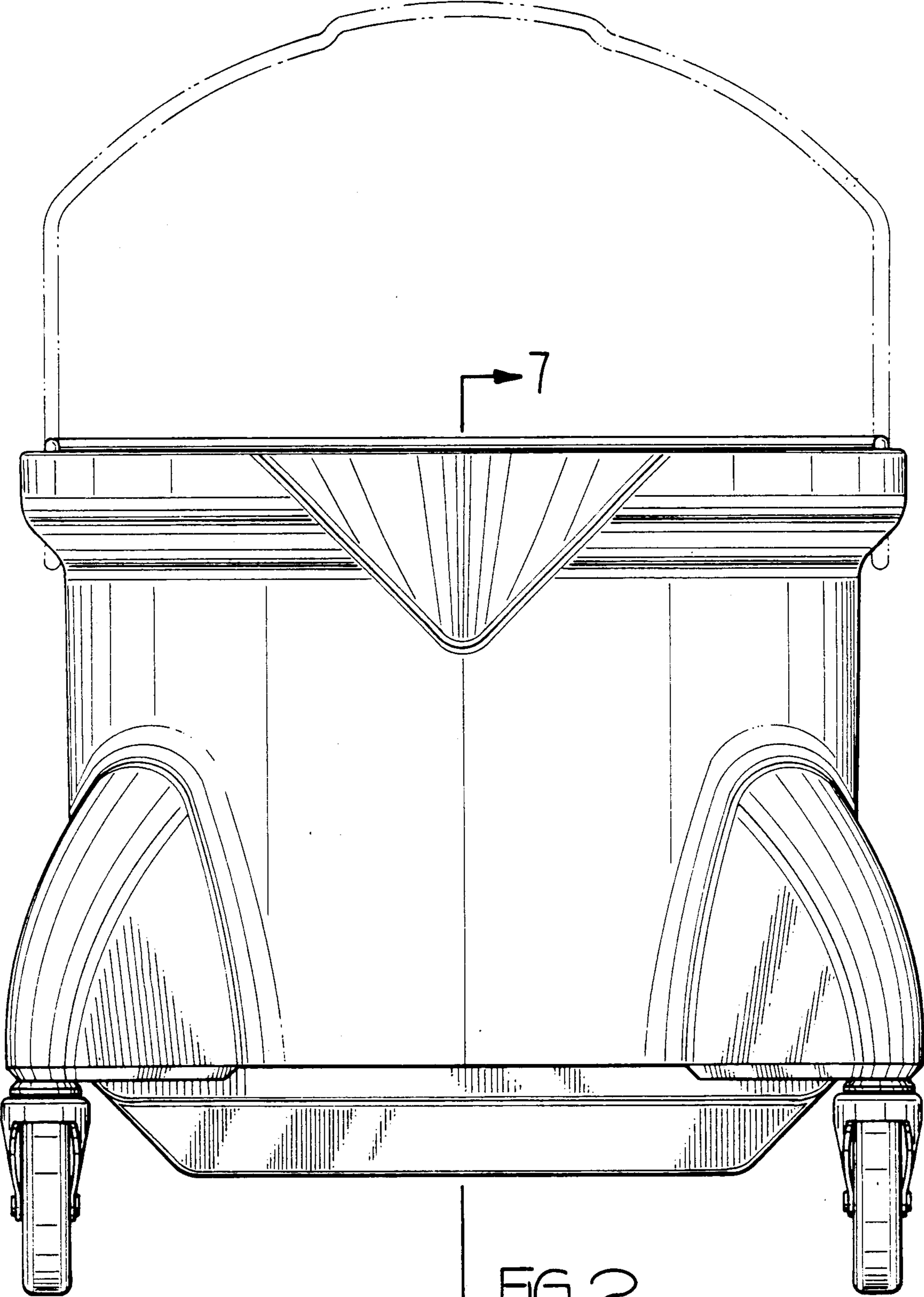


FIG. 2  
7

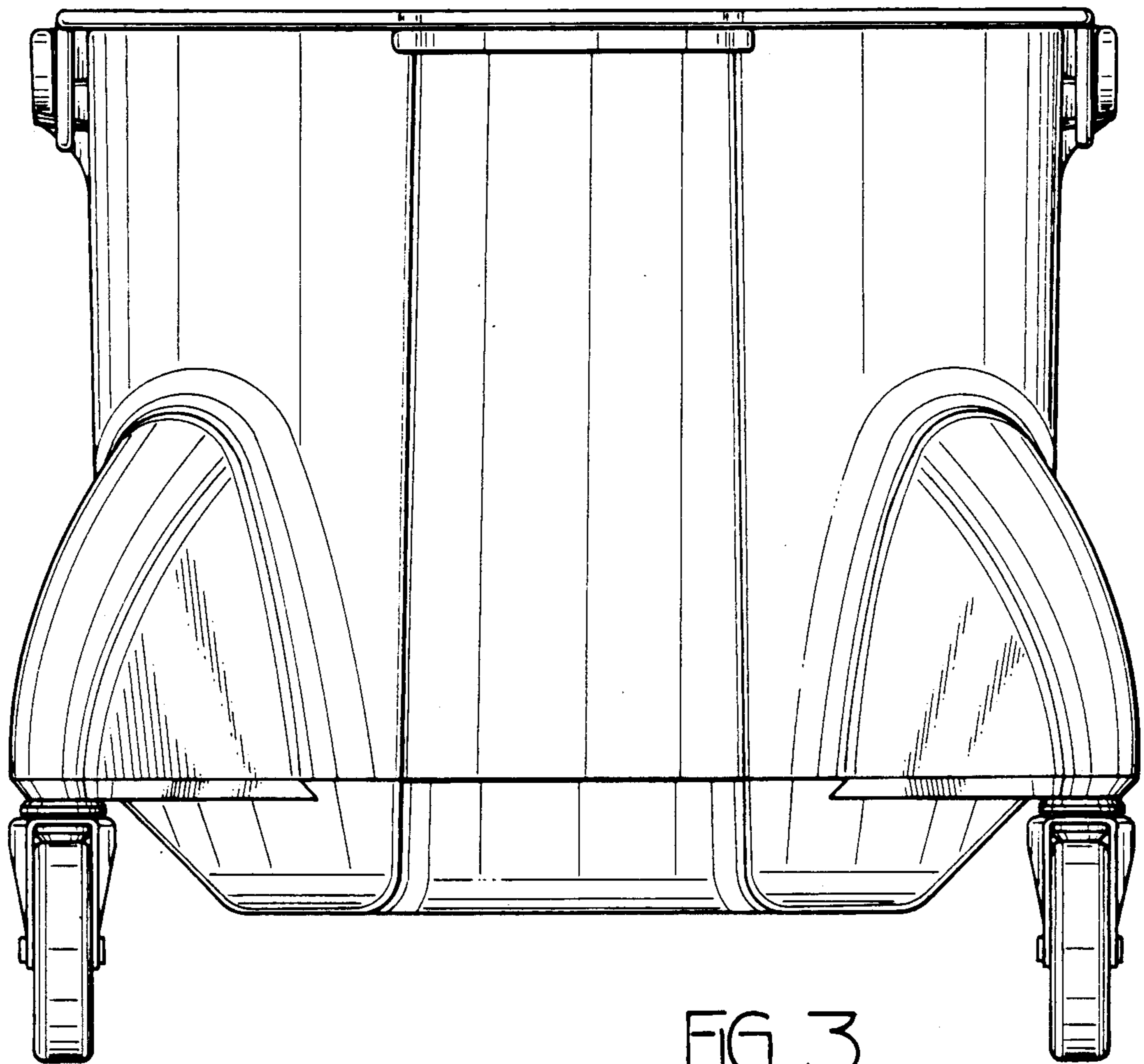


FIG. 3

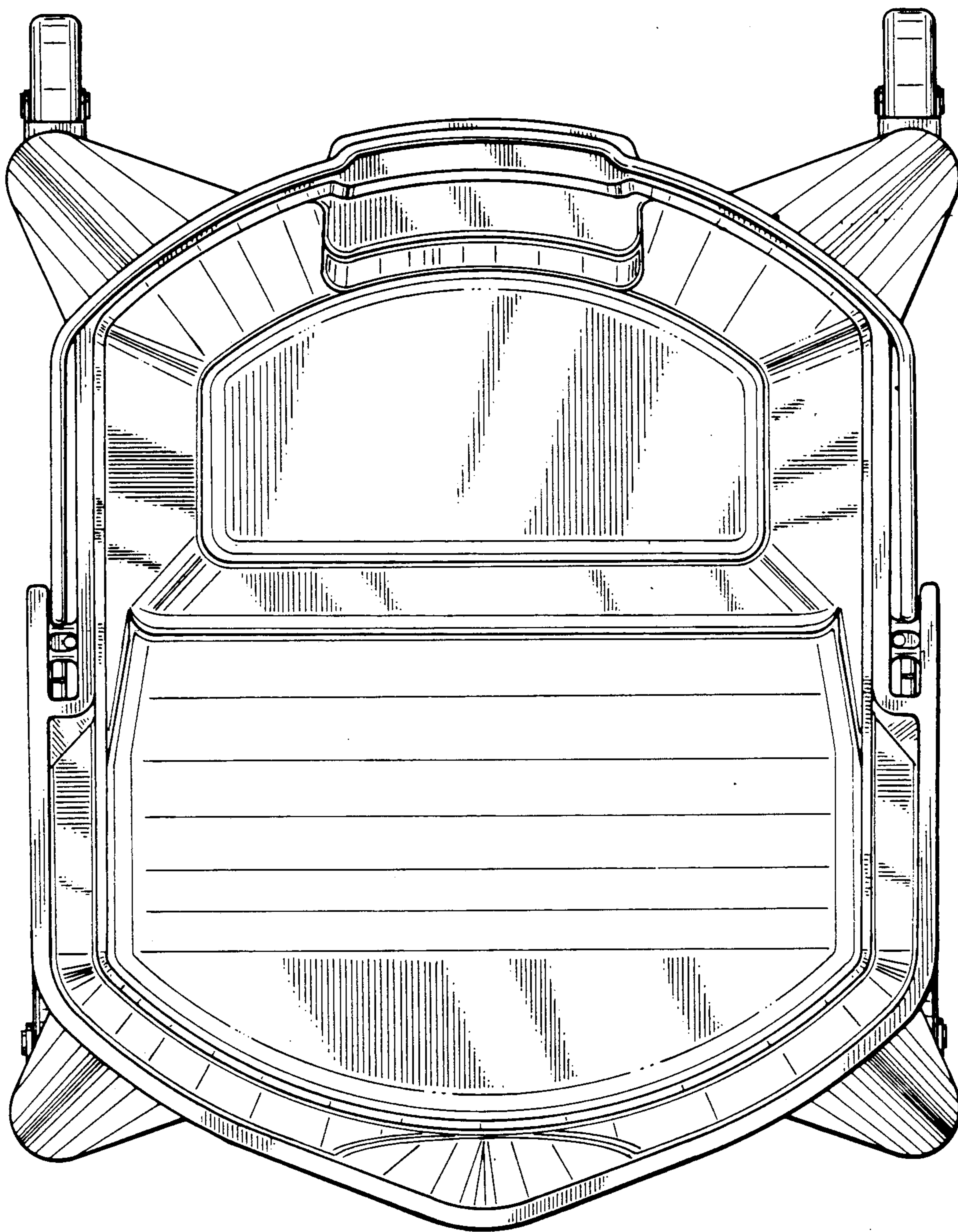


FIG. 4

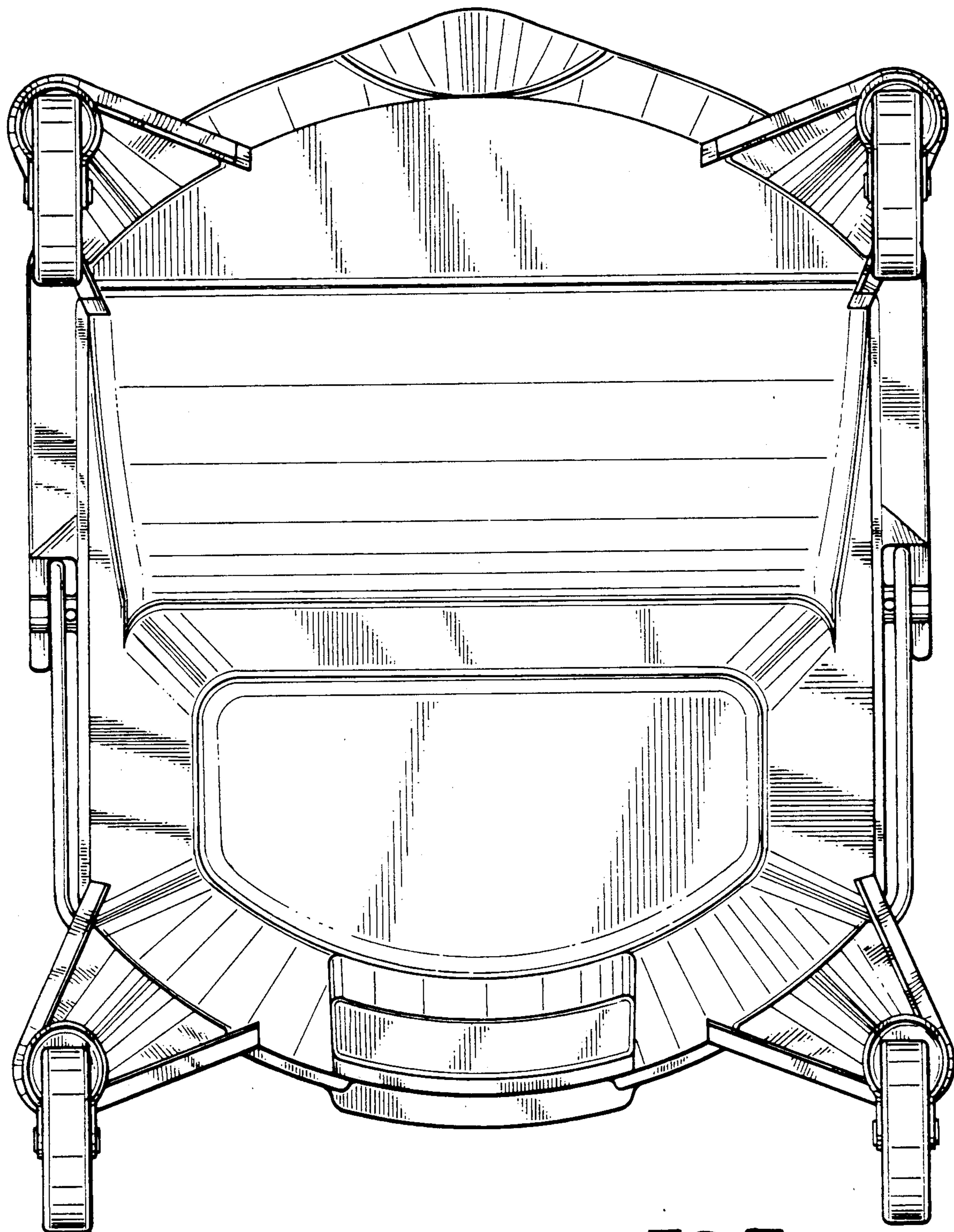


FIG. 5

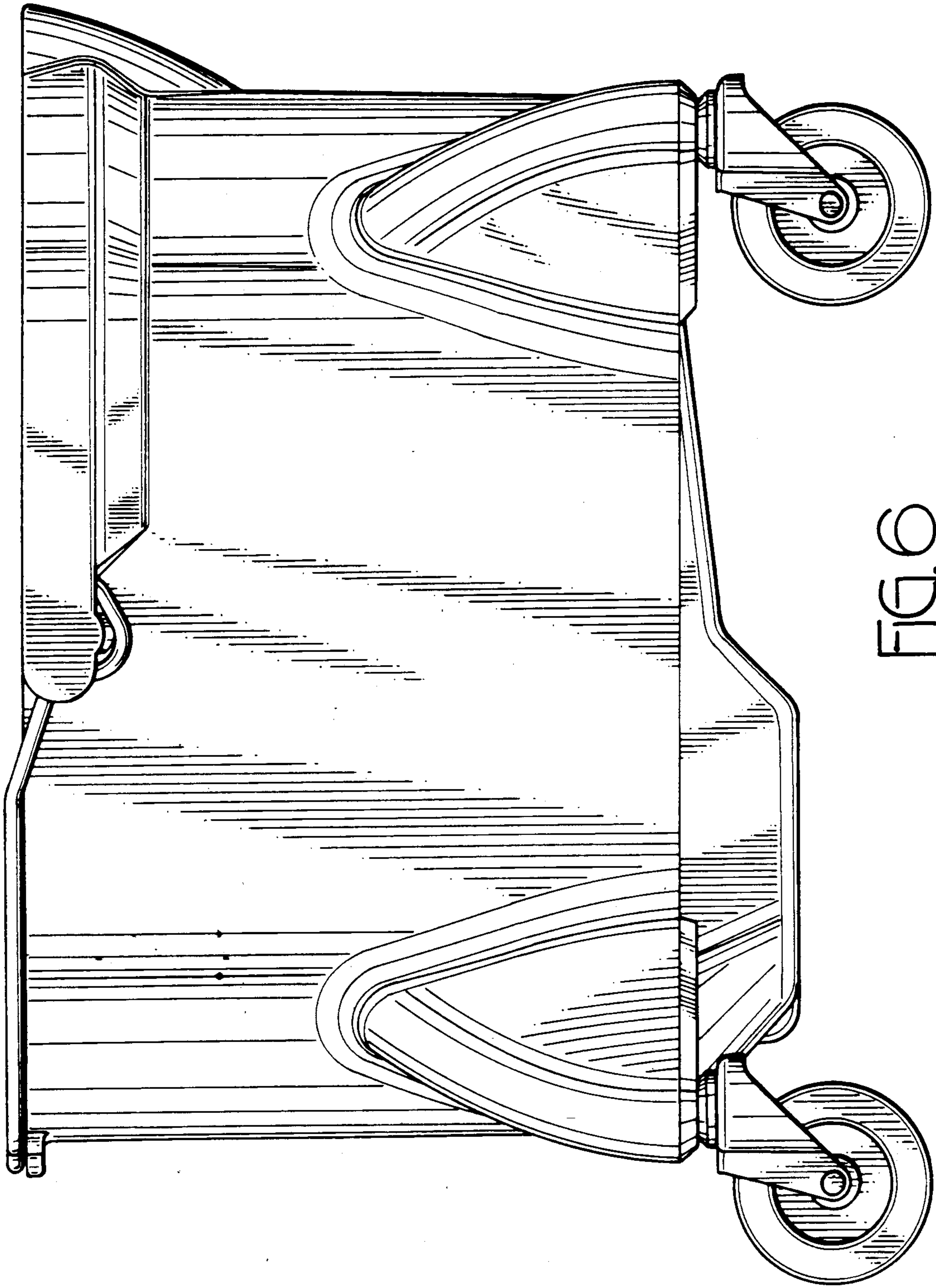


FIG. 6

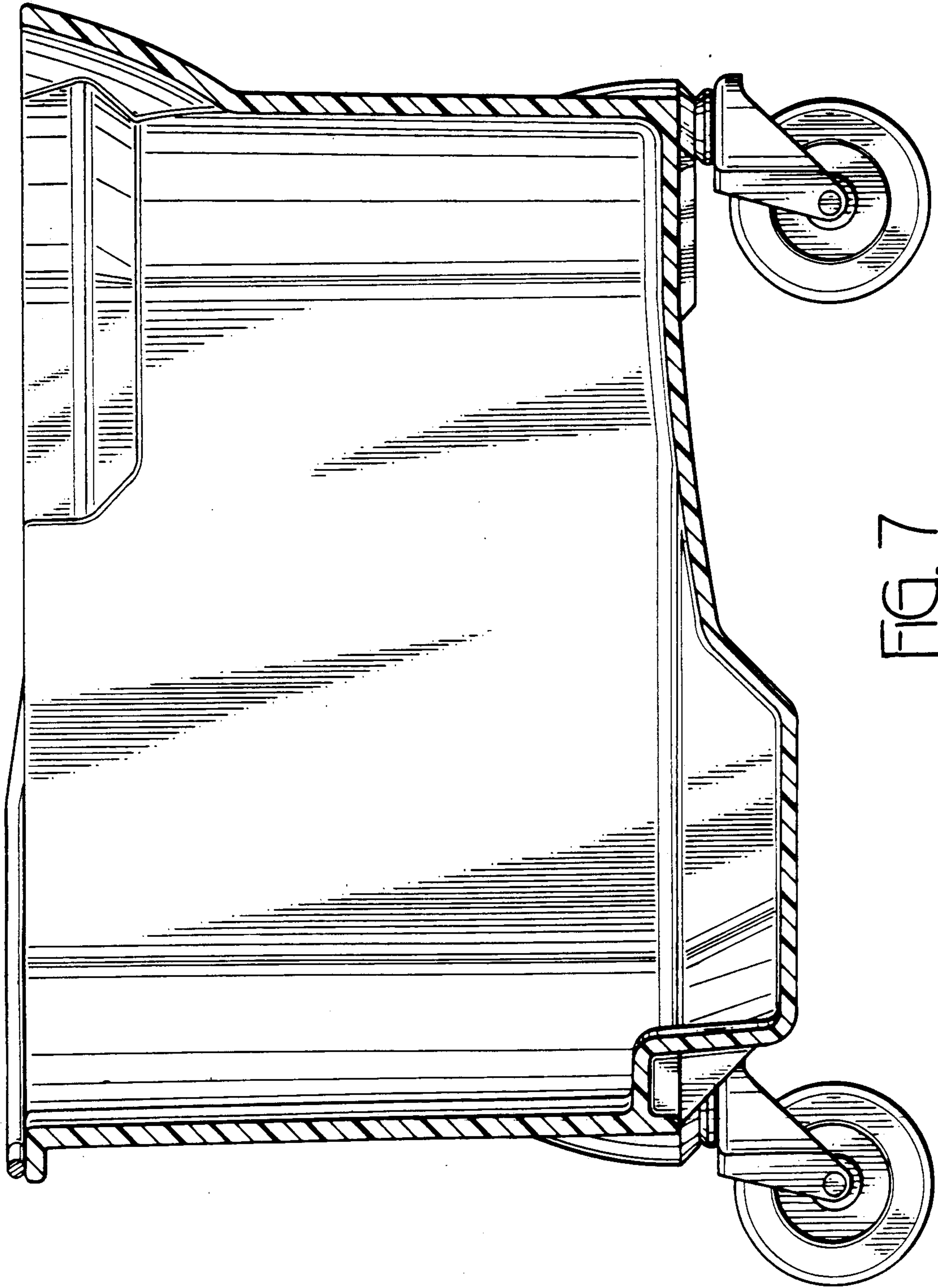


FIG. 7