

[54] PORTABLE BLOWER

[75] Inventor: Jonathan L. Miner, Timonium, Md.

[73] Assignee: Black & Decker Inc., Newark, Del.

[*] Notice: The portion of the term of this patent subsequent to Aug. 13, 2005 has been disclaimed.

[**] Term: 14 Years

[21] Appl. No.: 120,002

[22] Filed: Nov. 13, 1987

[52] U.S. Cl. D32/15

[58] Field of Search D32/1, 15-18, D32/25, 32; D23/383, 393; 15/404-405, 344, 414, 415 R, 415 A, 420, 330-331, 337, 335; 417/234, 423.2, 236

[56] References Cited

U.S. PATENT DOCUMENTS

- D. 147,125 7/1947 Harvuot D32/32
- D. 150,177 7/1948 Vose D32/17
- D. 181,095 10/1957 Geary D8/2
- D. 192,345 3/1962 Nerheim D32/18
- D. 209,274 11/1967 Richards et al. D32/18
- D. 211,751 7/1968 Richards et al. D32/18
- D. 214,339 6/1969 Fossella D32/18
- D. 215,875 11/1969 Hoadley D32/32
- D. 219,883 2/1971 Zijlstra D32/18
- D. 220,969 6/1971 Rawson, Jr. et al. D32/18
- D. 255,864 7/1980 Bennett D32/21
- D. 258,908 4/1981 Satoh D23/4
- D. 263,547 3/1982 Carsello D32/18
- D. 266,355 9/1982 Mariol D23/155
- D. 266,587 10/1982 Satoh D23/155
- D. 279,319 6/1985 McCloskey et al. D32/15
- D. 280,661 9/1985 Hill D23/383
- D. 286,927 11/1986 Aiyama D32/15
- D. 294,414 2/1988 Berfield et al. D32/31
- D. 297,274 8/1988 Komiya et al. D32/15

- 1,364,360 1/1921 Emery .
- 2,068,496 1/1937 Linghammar 15/155
- 3,477,087 11/1969 Robinson 15/344
- 4,132,507 1/1979 Akiyama et al. 417/234
- 4,269,571 5/1981 Shikutani et al. 417/234
- 4,288,886 9/1981 Siegler 15/330
- 4,413,371 11/1983 Tuggle et al. 15/405
- 4,734,017 3/1988 Levin 417/366

FOREIGN PATENT DOCUMENTS

3540898 5/1986 Fed. Rep. of Germany .

OTHER PUBLICATIONS

Hardware Age, vol. 220, Dec. 1983, p. 472.

Primary Examiner—A. Hugo Word

Assistant Examiner—Doris V. Coles

Attorney, Agent, or Firm—Charles E. Yocum; Dennis A. Dearing; John D. Del Ponti

[57] CLAIM

The ornamental design for a portable blower, as shown and described.

DESCRIPTION

FIG. 1 is a perspective view of a portable blower, showing our new design;

FIG. 2 is a side elevational view thereof;

FIG. 3 is a top plan view thereof;

FIG. 4 is a bottom plan view thereof;

FIG. 5 is a front elevational view thereof;

FIG. 6 is a rear elevational view thereof;

FIG. 7 is a partial rear elevational view thereof, with the guard removed;

FIG. 8 is a side elevational view of the second embodiment;

FIG. 9 is a partial side elevational view thereof;

FIG. 10 is a front elevational view thereof;

FIG. 11 is a partial side elevational view thereof; and

FIG. 12 is a rear elevational view thereof.

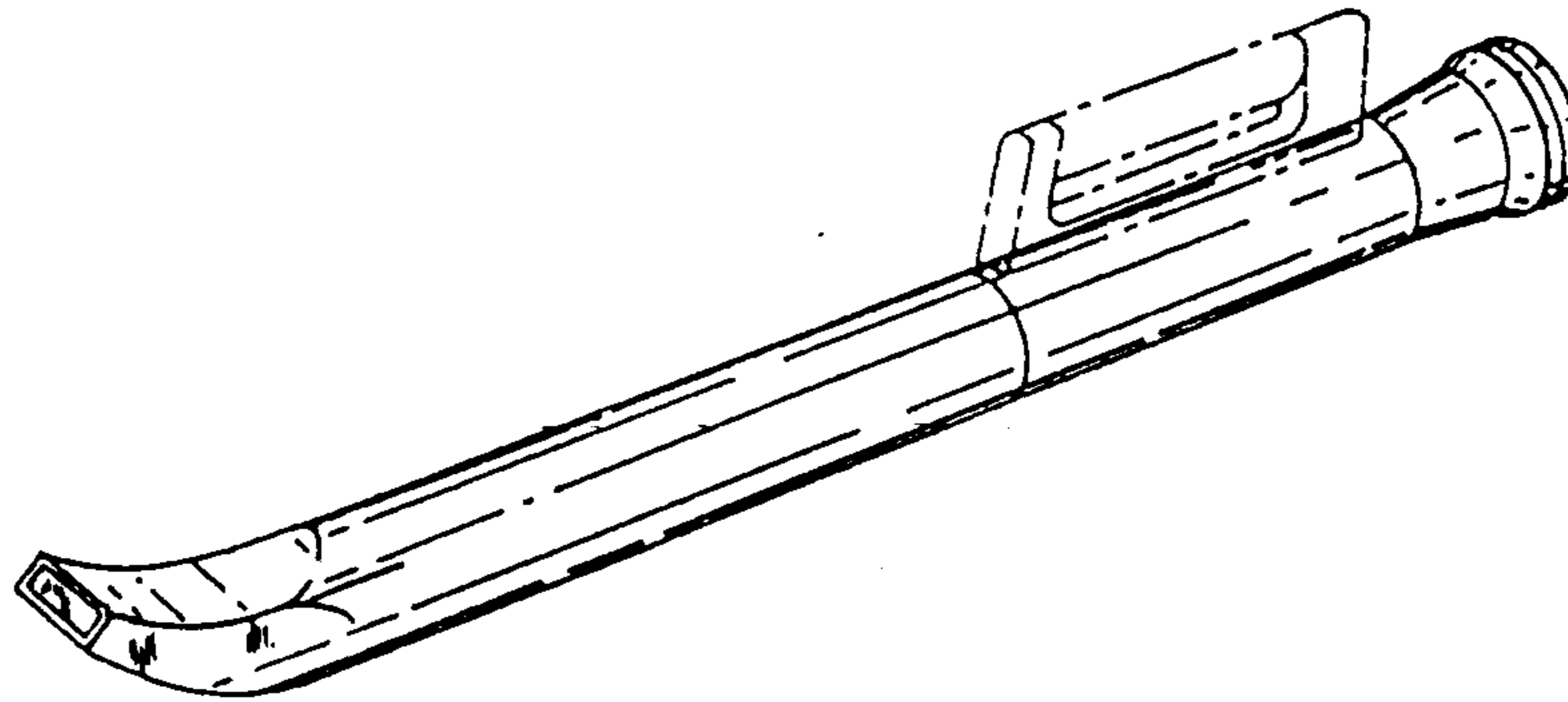


FIG. 1

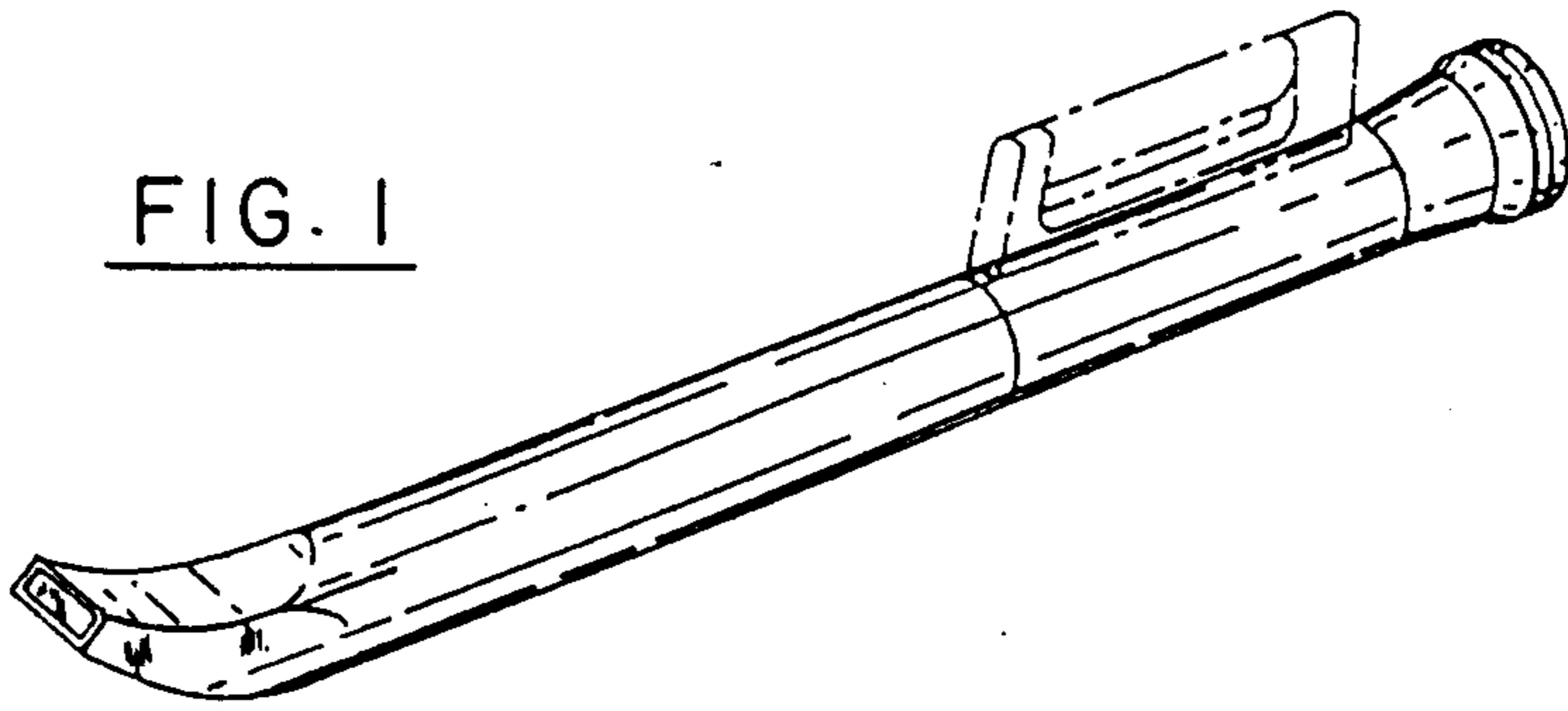


FIG. 2

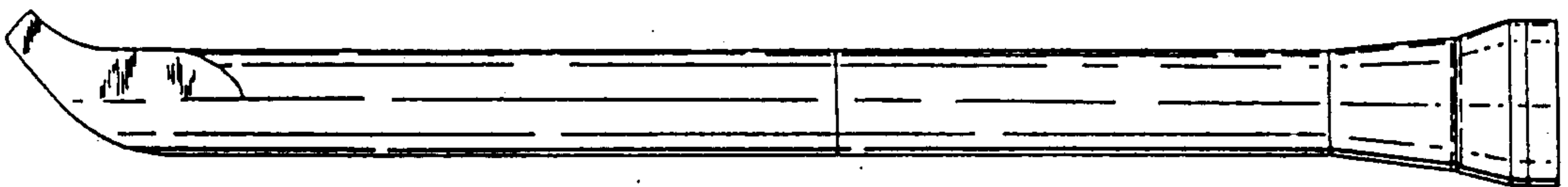


FIG. 3

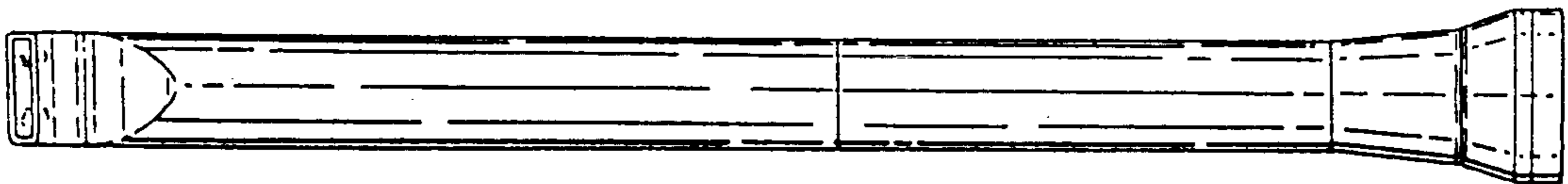


FIG. 4

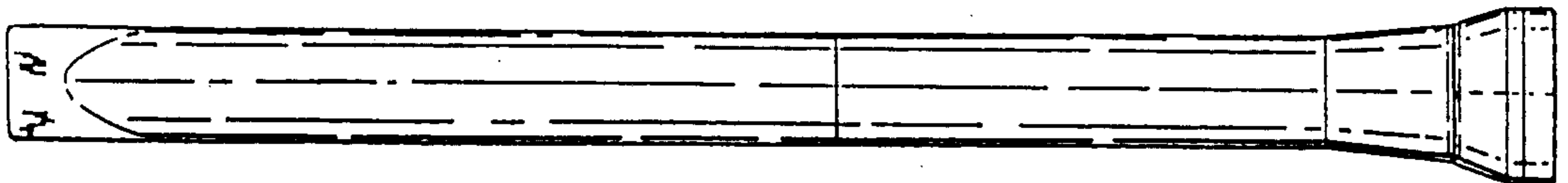


FIG. 5

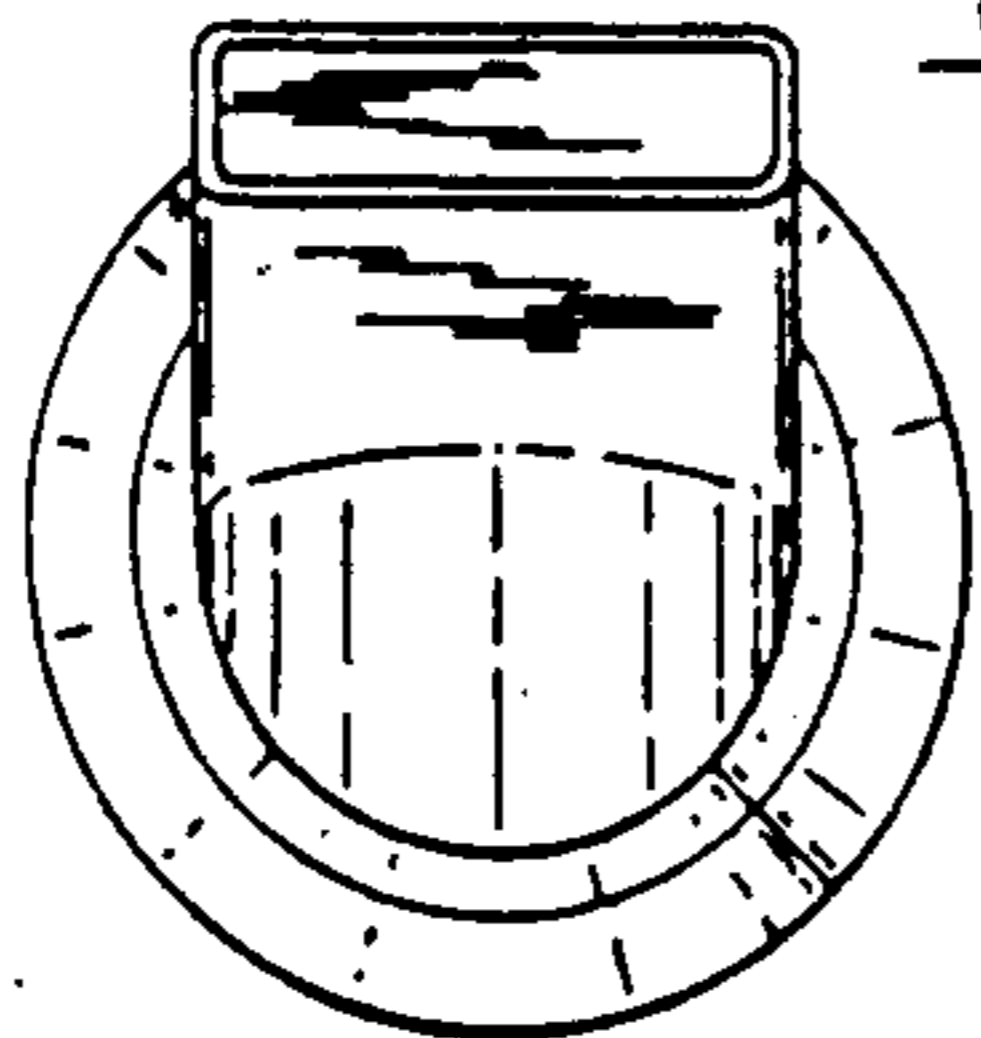
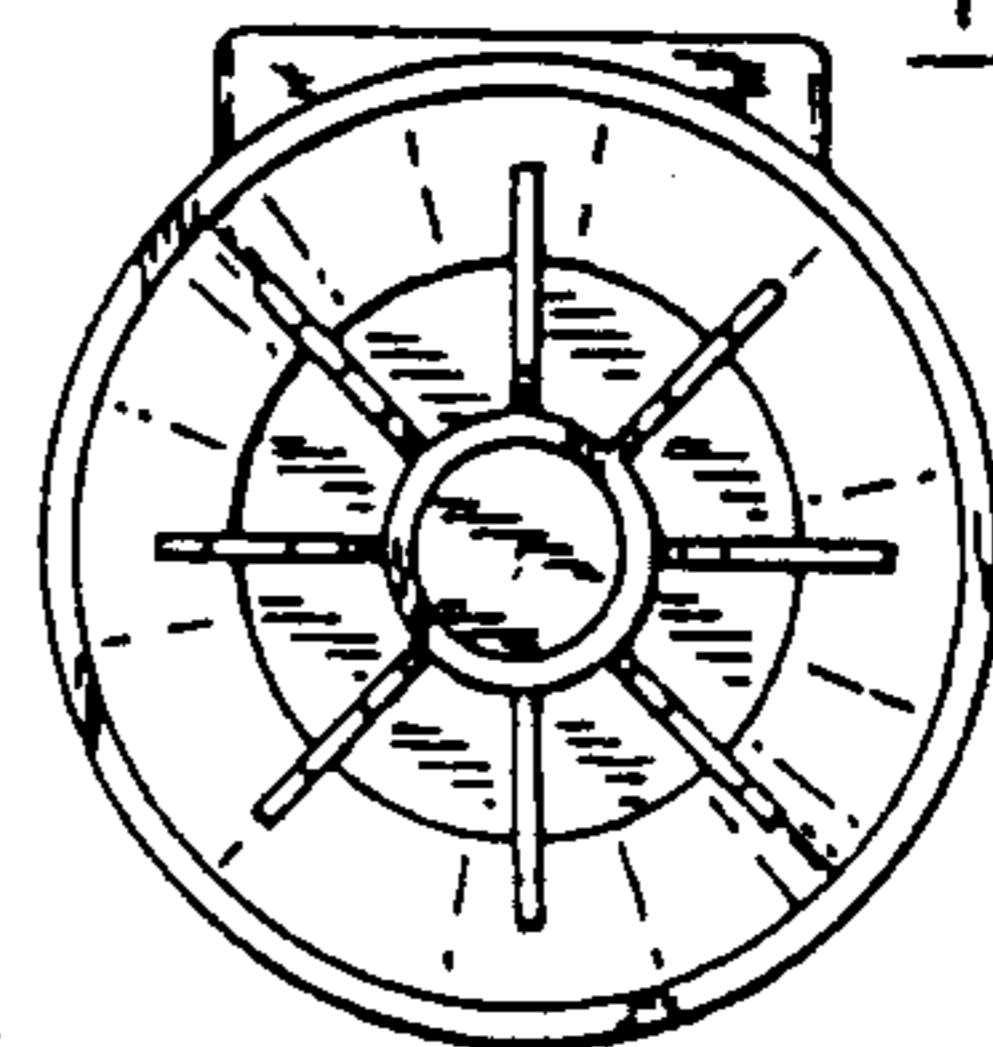


FIG. 6



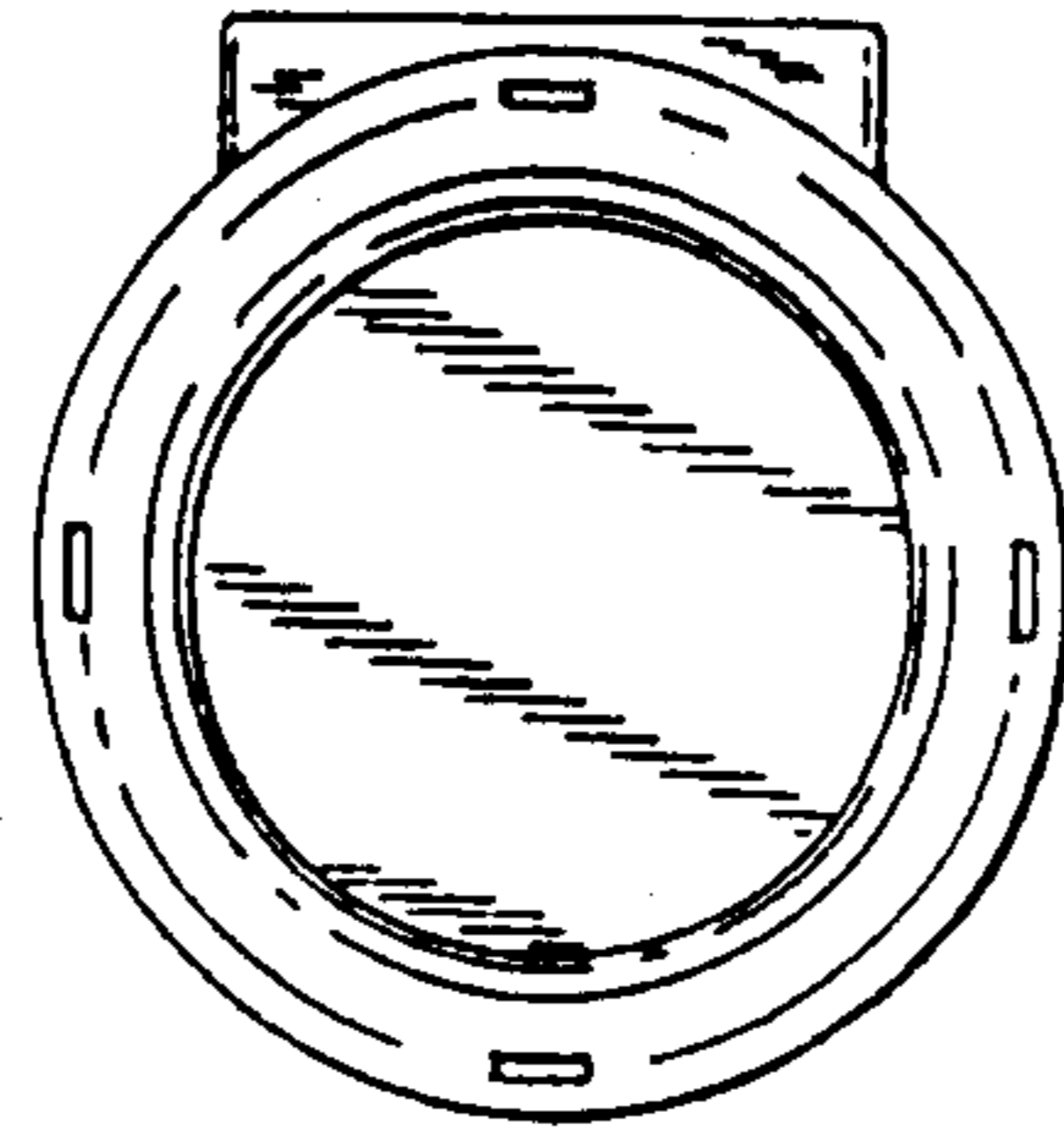


FIG. 7

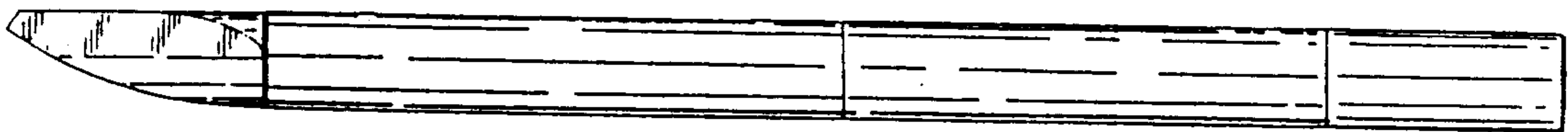


FIG. 8

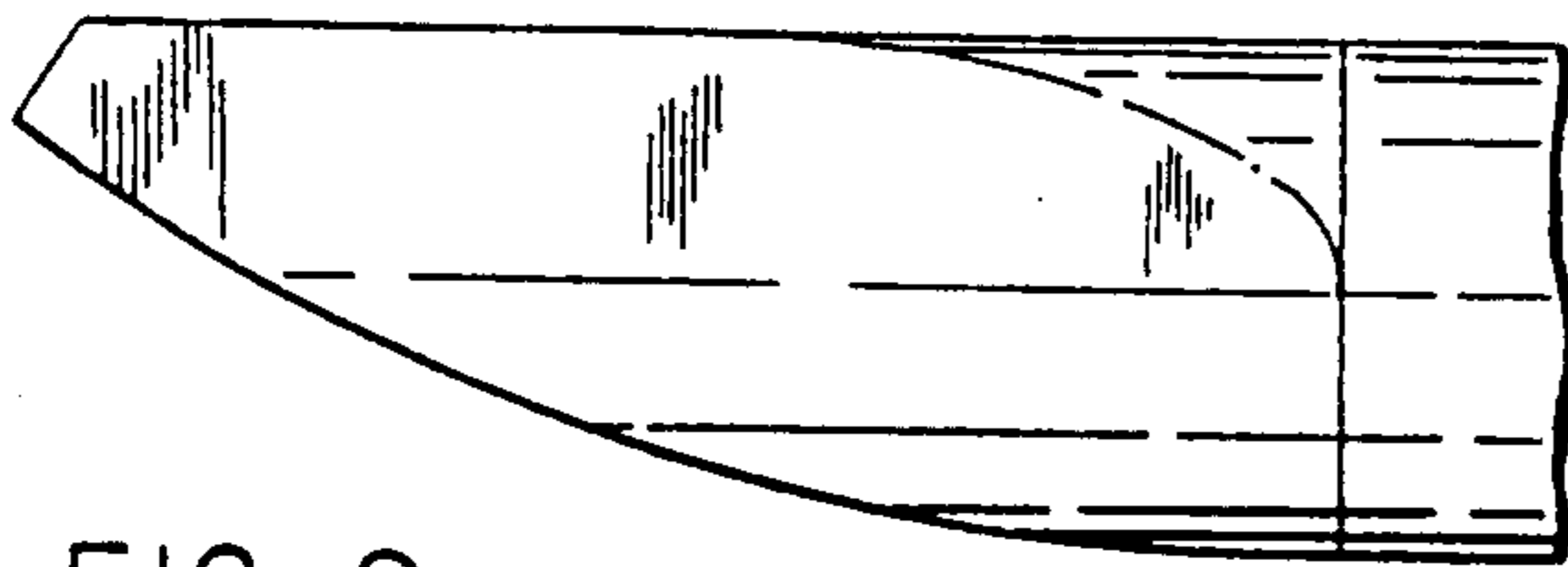


FIG. 9

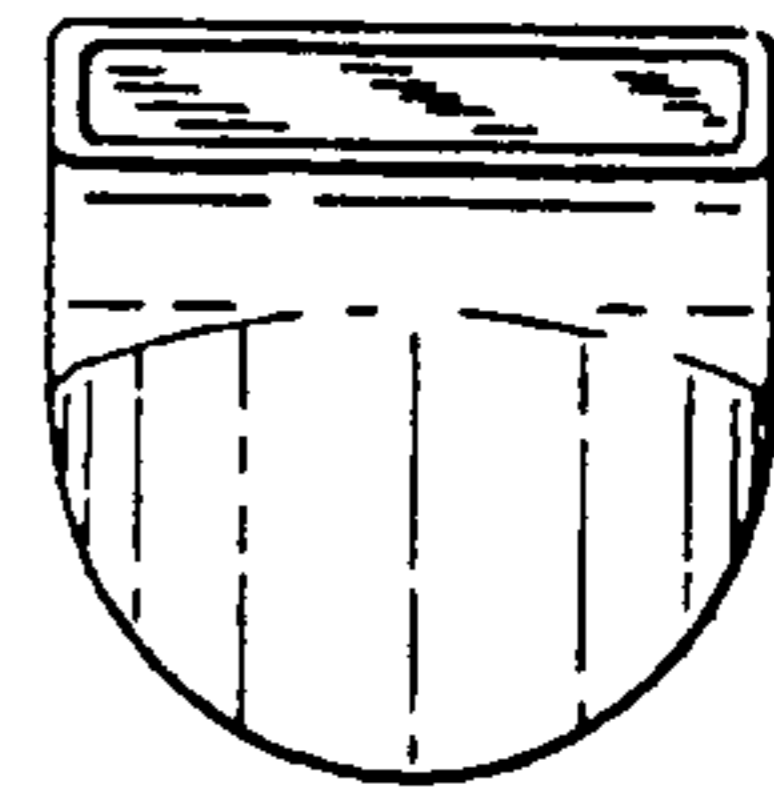


FIG. 10

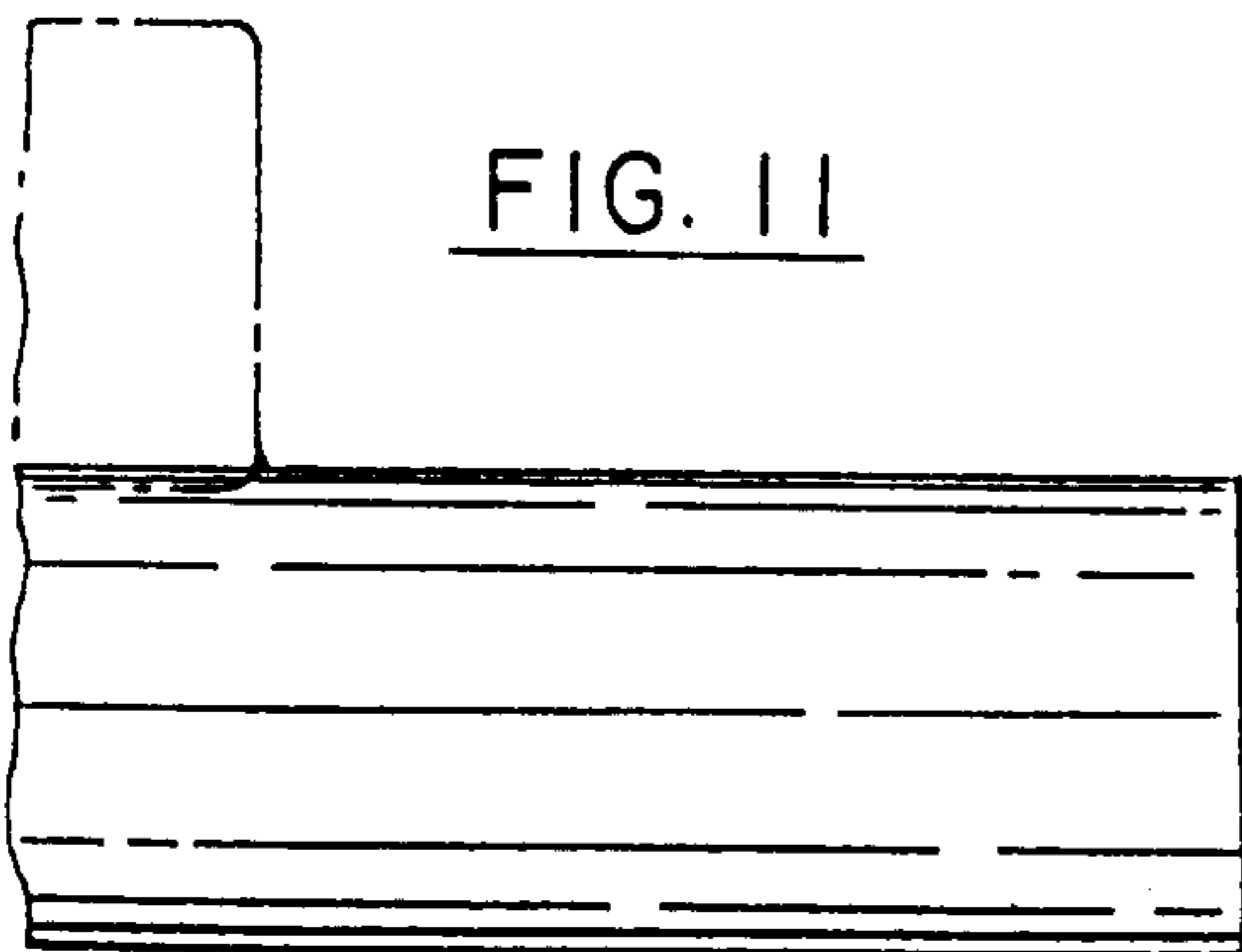


FIG. 11

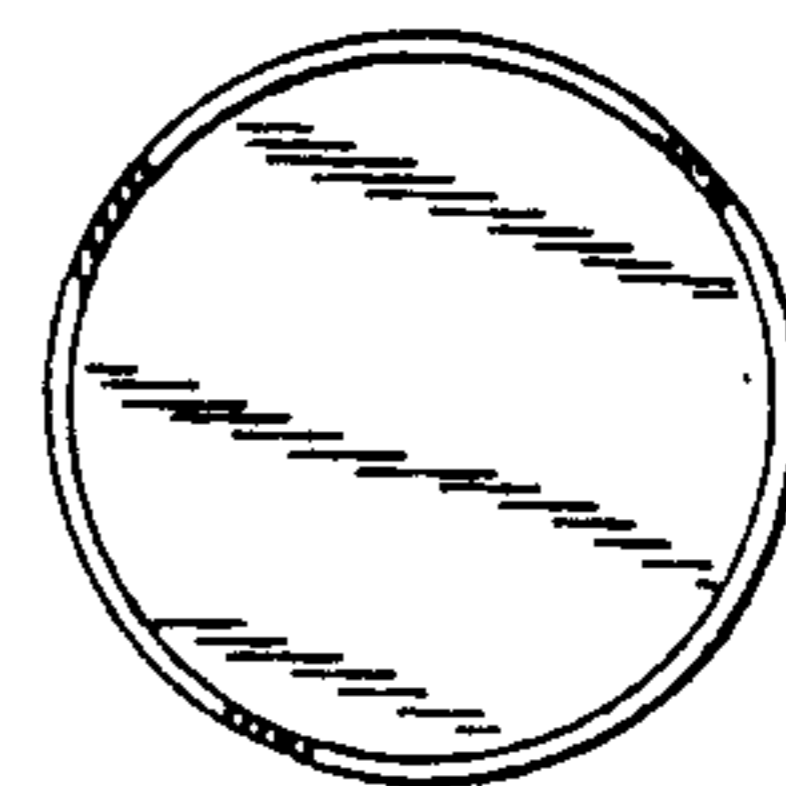


FIG. 12

UNITED STATES PATENT AND TRADEMARK OFFICE
CERTIFICATE OF CORRECTION

PATENT NO. : Des. 320,294
DATED : September 24, 1991
INVENTOR(S) : Jonathan L. Miner et al.

It is certified that error appears in the above-identified patent and that said Letters Patent is hereby corrected as shown below:

On the title page, delete the inventor's name and address, "Jonathan L. Miner, Timonium, Md." and replace with the following three names and addresses:

-- Jonathan L. Miner, Timonium; Vernon R. Lacher, Fallston;
Martin P. Gierke, Baltimore, all of Maryland.--

**Signed and Sealed this
Second Day of June, 1992**

Attest:

DOUGLAS B. COMER

Attesting Officer

Acting Commissioner of Patents and Trademarks

UNITED STATES PATENT AND TRADEMARK OFFICE
CERTIFICATE OF CORRECTION

PATENT NO. : Des. 320,294
DATED : September 24, 1991
INVENTOR(S) : Jonathan L. Miner et al

It is certified that error appears in the above-identified patent and that said Letters Patent is hereby corrected as shown below:

On the title page, item [75] Inventor: please delete the inventor's name and address, "Jonathan L. Miner, Timonium, Md." and replace with the following three names and addressed:

--Jonathan L. Miner, Timonium; Vernon R. Lacher, Fallston;
Martin P. Gierke, Baltimore, all of Maryland.--.

On the title page, item [19] change "Miner" to read --Miner et al--.

**Signed and Sealed this
Ninth Day of June, 1992**

Attest:

Attesting Officer

DOUGLAS B. COMER

Acting Commissioner of Patents and Trademarks