

[54] PORTABLE BLOWER

[75] Inventors: Martin P. Gierke; Robert P. Straub, both of Baltimore; Jonathan L. Miner, Timonium, all of Md.

[73] Assignee: Black & Decker Inc., Newark, Del.

[**] Term: 14 Years

[21] Appl. No.: 119,998

[22] Filed: Nov. 13, 1987

[52] U.S. Cl. D32/15

[58] Field of Search D32/1, 15-18, D32/25, 32; D23/383, 393; 15/404-405, 344, 414, 415 R, 415 A, 420, 330-331, 335, 337; 417/234, 423.2, 236

[56] References Cited

U.S. PATENT DOCUMENTS

| | | | |
|------------|---------|---------------------|---------|
| D. 147,125 | 7/1947 | Harvuot . | |
| D. 192,345 | 3/1962 | Nerheim . | |
| D. 209,274 | 11/1967 | Richards . | |
| D. 211,751 | 7/1968 | Richards . | |
| D. 255,864 | 7/1980 | Bennett . | |
| D. 258,908 | 4/1981 | Satoh | D23/155 |
| D. 266,355 | 9/1982 | Mariol | D23/383 |
| D. 266,587 | 10/1982 | Satoh | D23/155 |
| D. 280,661 | 9/1985 | Hill | D23/383 |
| D. 297,274 | 8/1988 | Komiya et al. | D32/15 |
| 2,068,496 | 1/1937 | Linghammar | 15/155 |
| 4,132,507 | 1/1979 | Akiyama et al. | 417/234 |

| | | | |
|-----------|---------|-----------------------|---------|
| 4,228,886 | 9/1981 | Siegler | 15/330 |
| 4,269,571 | 5/1981 | Shikutani et al. | 417/234 |
| 4,413,371 | 11/1983 | Tuggle et al. | 15/405 |
| 4,734,017 | 3/1988 | Levin | 417/366 |

OTHER PUBLICATIONS

Hardware Age, vol. 220, Dec. 1983, p. 472.

Primary Examiner—A. Hugo Word

Assistant Examiner—Doris V. Coles

Attorney, Agent, or Firm—Charles E. Yocum; Dennis A. Dearing; John D. Del Ponti

[57] CLAIM

The ornamental design for a portable blower, as shown and described.

DESCRIPTION

FIG. 1 is a perspective view of a portable blower, showing our new design;

FIG. 2 is a side elevational view thereof; with the strap cut away for the convenience of illustration;

FIG. 3 is a top plan view thereof;

FIG. 4 is a bottom plan view thereof;

FIG. 5 is a front elevational view thereof;

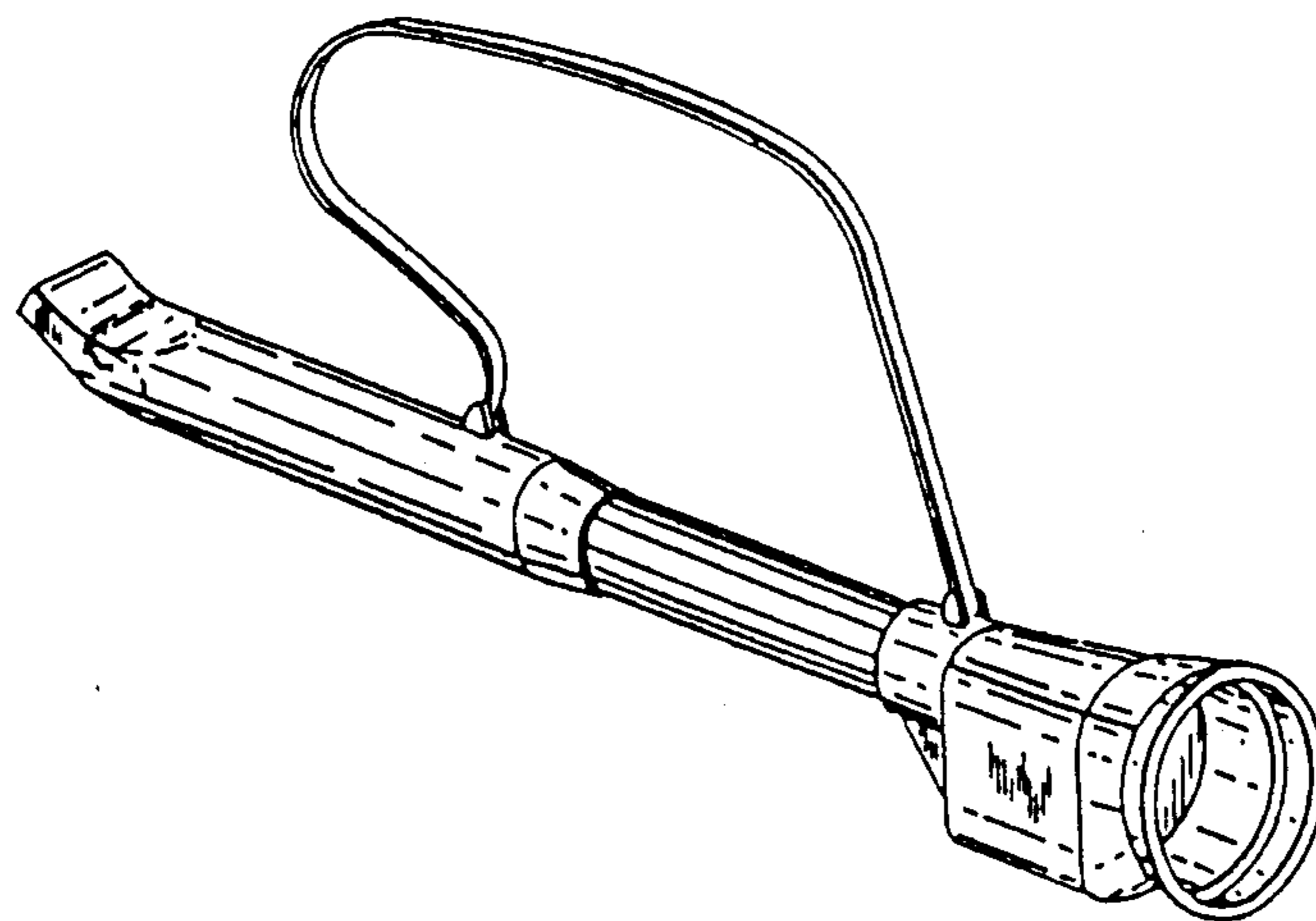
FIG. 6 is a rear elevational view thereof;

FIG. 7 is another perspective view, with the strap and attachment means removed;

FIG. 8 is a side elevational view of the second embodiment;

FIG. 9 is a partial side elevational view thereof; and

FIG. 10 is a partial front elevational view thereof.



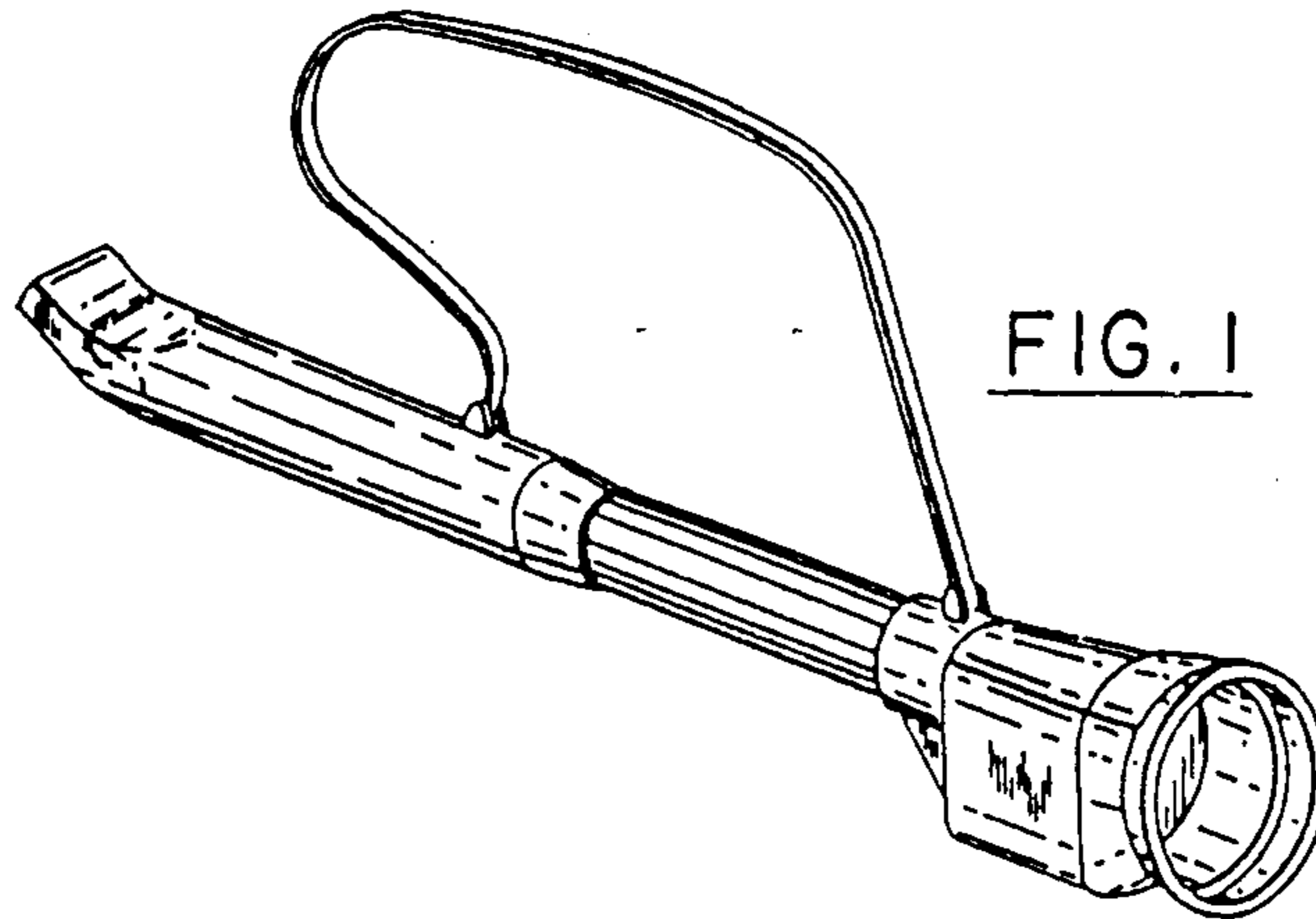


FIG. 1

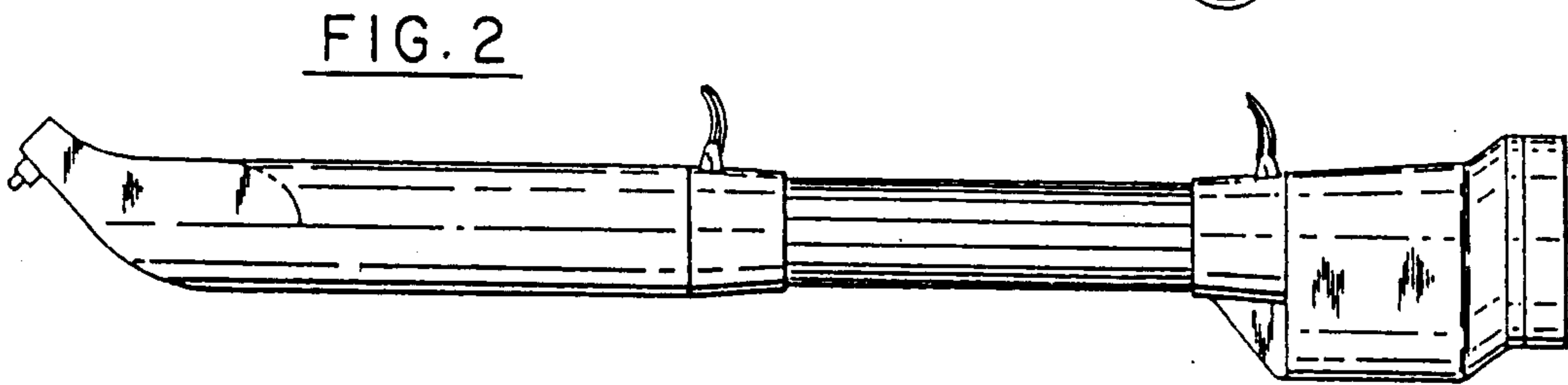


FIG. 2

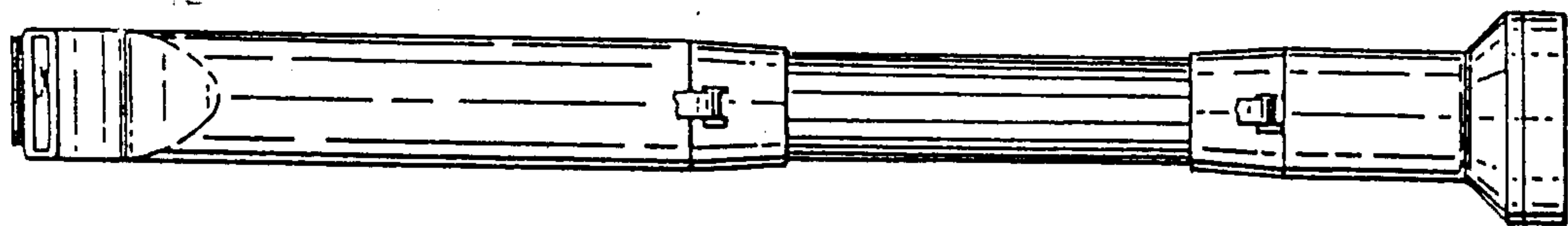


FIG. 3

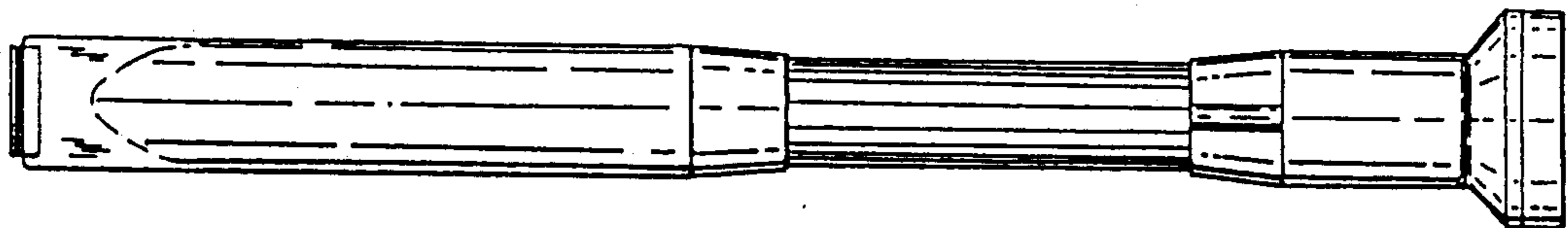


FIG. 4

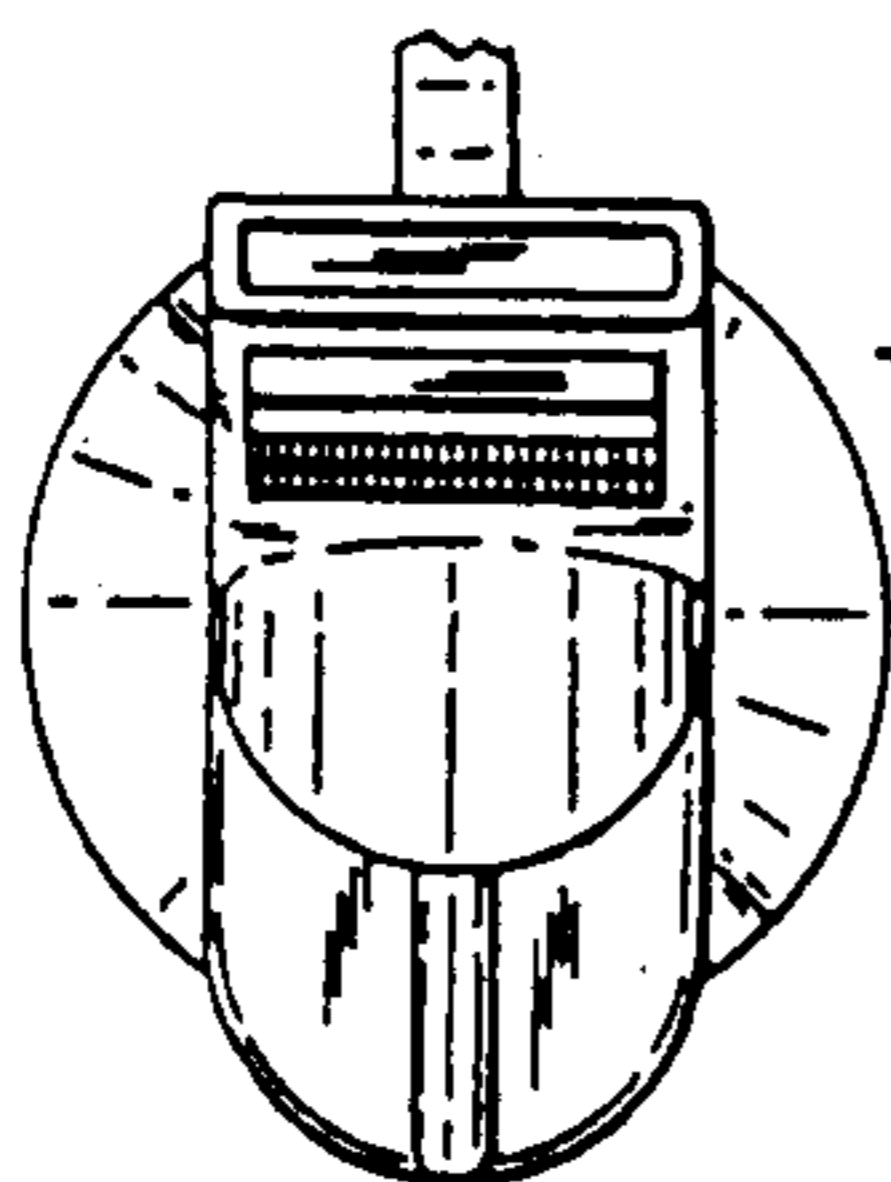


FIG. 5

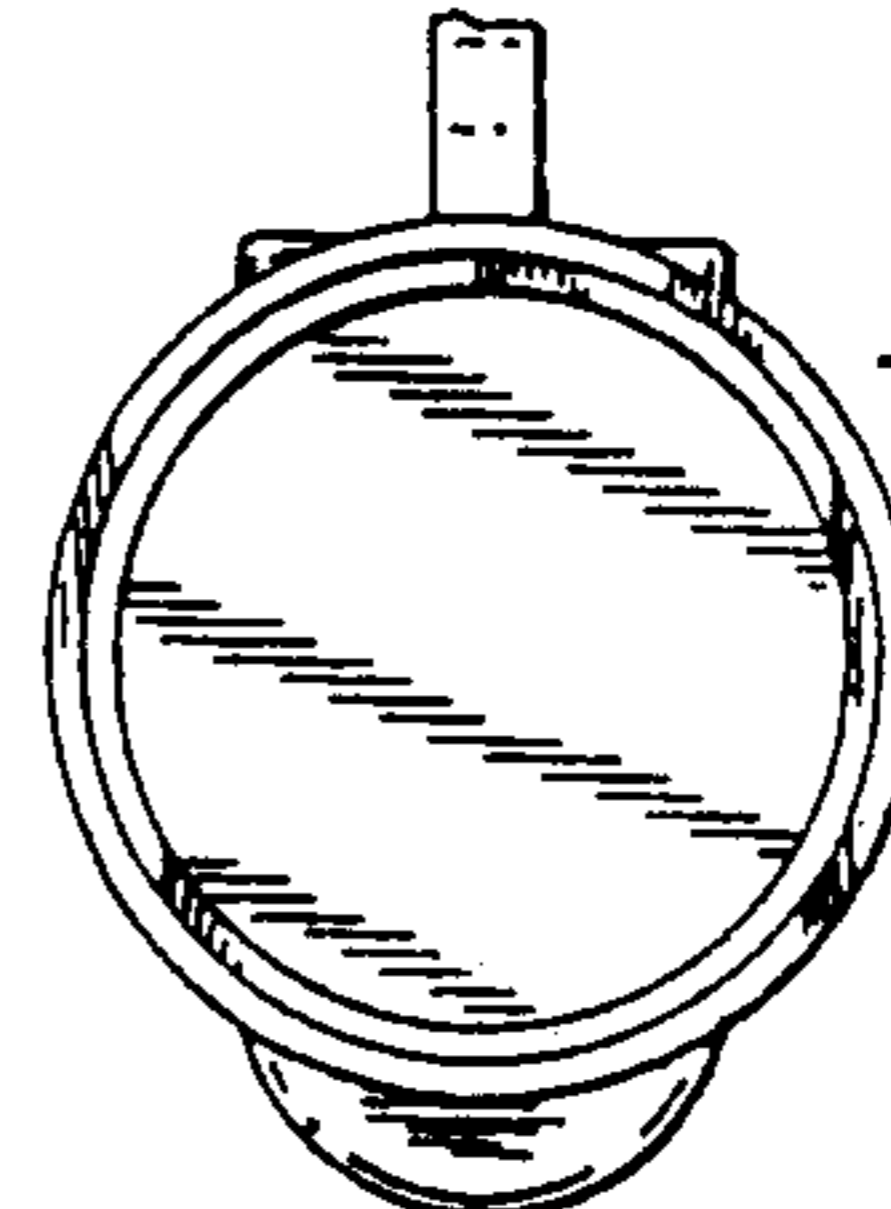


FIG. 6

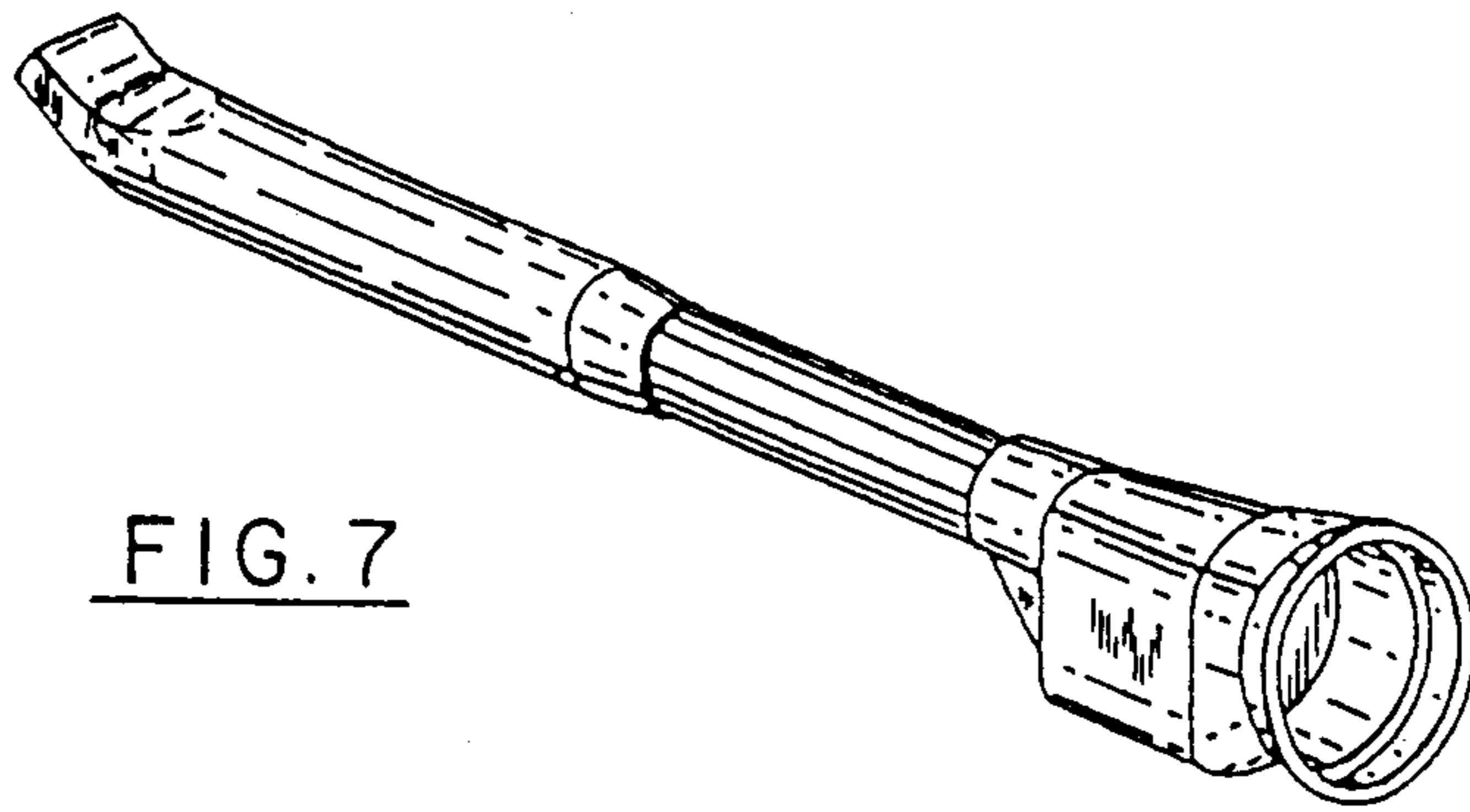


FIG. 7

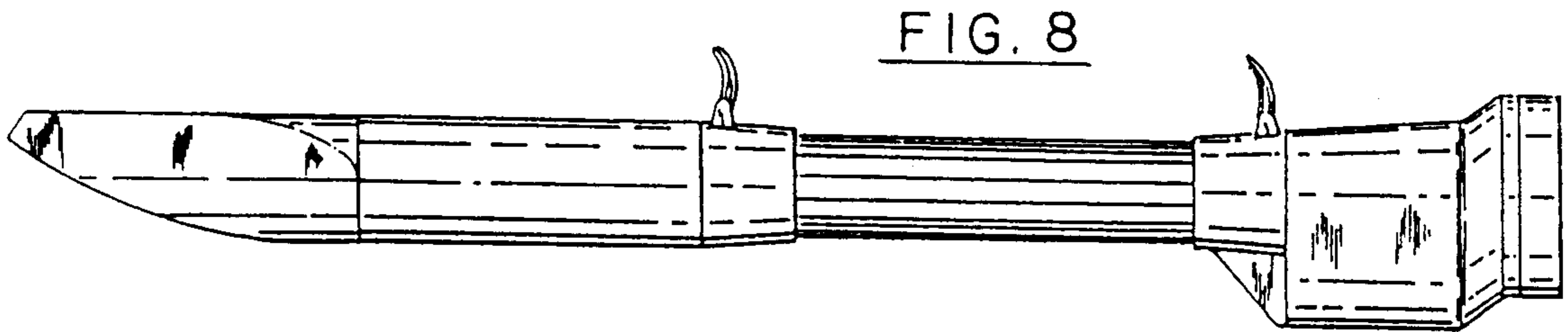


FIG. 8

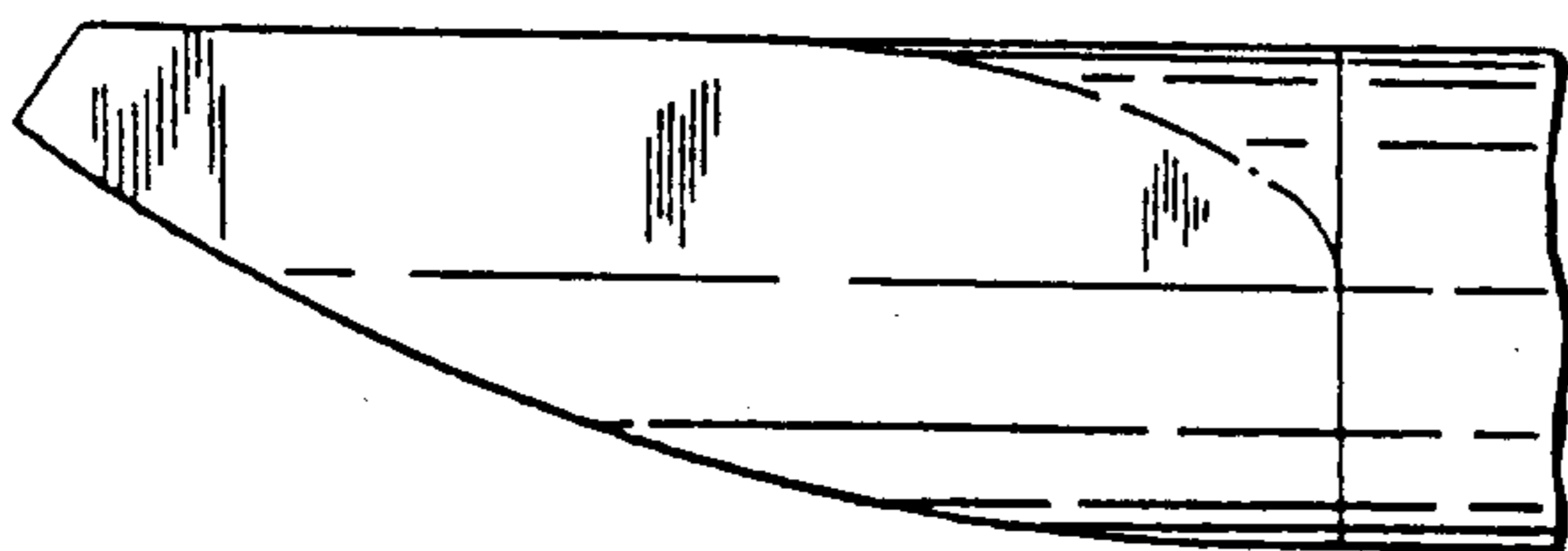


FIG. 9

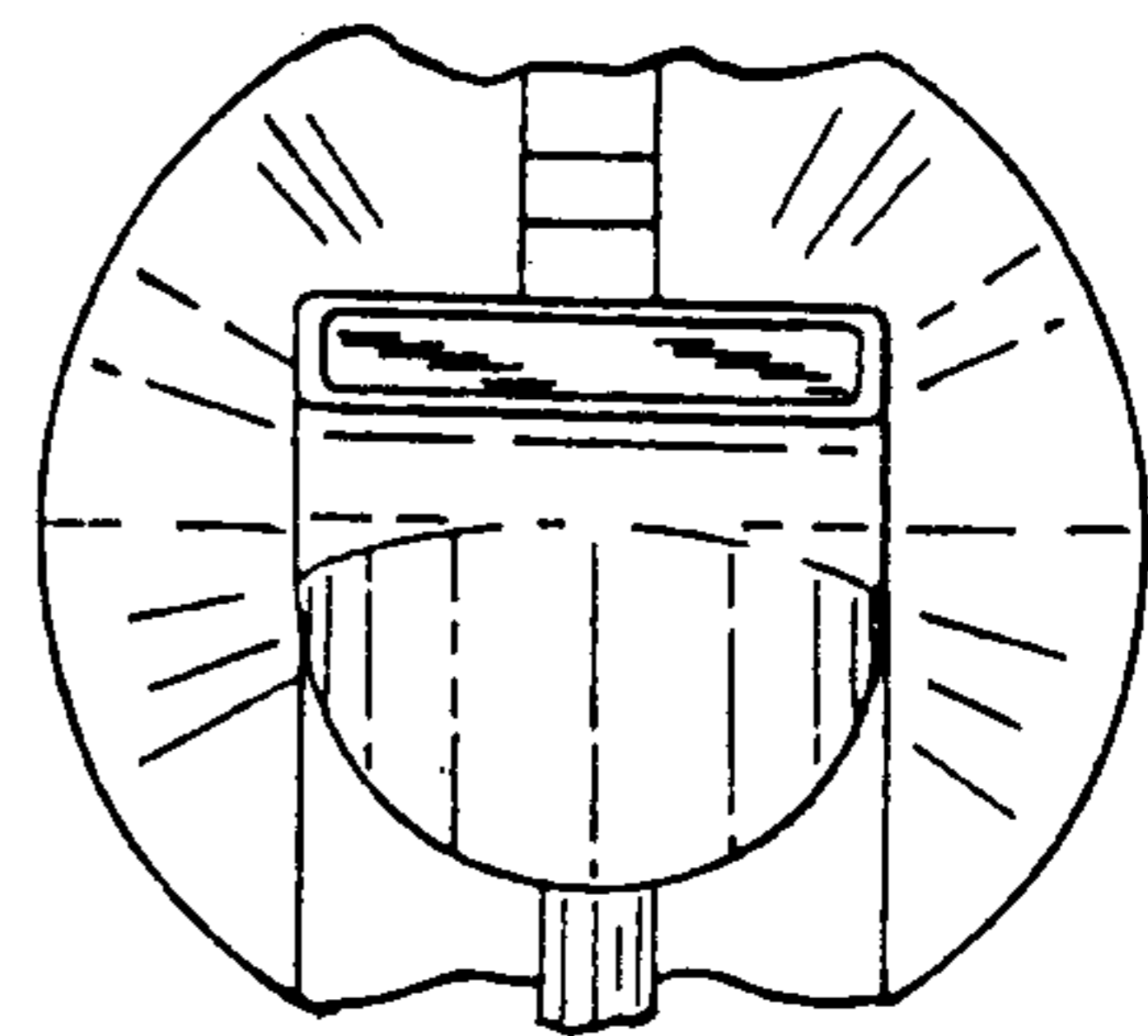


FIG. 10