

[54] BIRD FEEDER BASE

[76] Inventor: Peter Kilham, Mill Rd., Foster; R.I.
02825

[**] Term: 14 Years

[21] Appl. No.: 411,587

[22] Filed: Sep. 25, 1989

[52] U.S. Cl. D30/127

[58] Field of Search D30/121, 122, 124-128,
D30/133; D6/520, 523; 119/18, 24, 25, 26, 29,
48, 49, 51.03, 52.1, 52.2, 52.3, 55, 57.8, 57.9, 61,
69, 72, 75

[56] References Cited

U.S. PATENT DOCUMENTS

D. 251,021	2/1979	Blasbalg	D30/127
D. 252,591	8/1979	Hyde, Jr.	D30/127
D. 282,019	12/1985	Kilham	D30/127
3,568,641	3/1971	Kilham	D30/127
4,201,155	5/1980	Hyde, Jr.	119/57.8
4,216,742	8/1980	Kirchhoffer	119/18
4,318,364	3/1982	Bescherer	119/57.8

OTHER PUBLICATIONS

Duncraft Specialties for Birdfeeding Catalog; p. 12,
item No. B12PK Feeder.

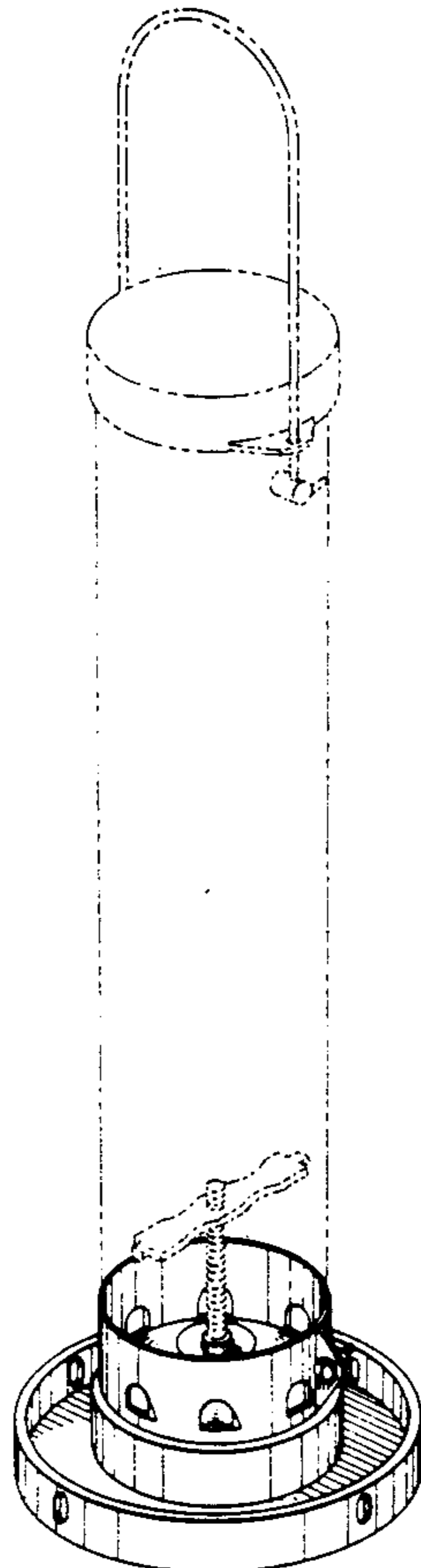
Primary Examiner—Louis S. Zarfaz
Assistant Examiner—CathyAnne MacCormac
Attorney, Agent, or Firm—Robert J. Doherty

[57] CLAIM

The ornamental design for a bird feeder base, as shown
and described.

DESCRIPTION

FIG. 1 is a perspective view of a bird feeder base showing my new design;
FIG. 2 is a front elevational view thereof, the rear being a mirror image of the front view shown;
FIG. 3 is a right side elevational view thereof;
FIG. 4 is a top plan view thereof;
FIG. 5 is a bottom plan view thereof;
FIG. 6 is a perspective view of a second embodiment of FIG. 1;
FIG. 7 is a front elevational view of FIG. 6, the rear being a mirror image of the view shown;
FIG. 8 is a right side elevational view of FIG. 6;
FIG. 9 is a top plan view of FIG. 6; and
FIG. 10 is a bottom plan view of FIG. 6.
The broken lines in FIG. 1 are for purposes of illustration only and form no part of the claimed design.



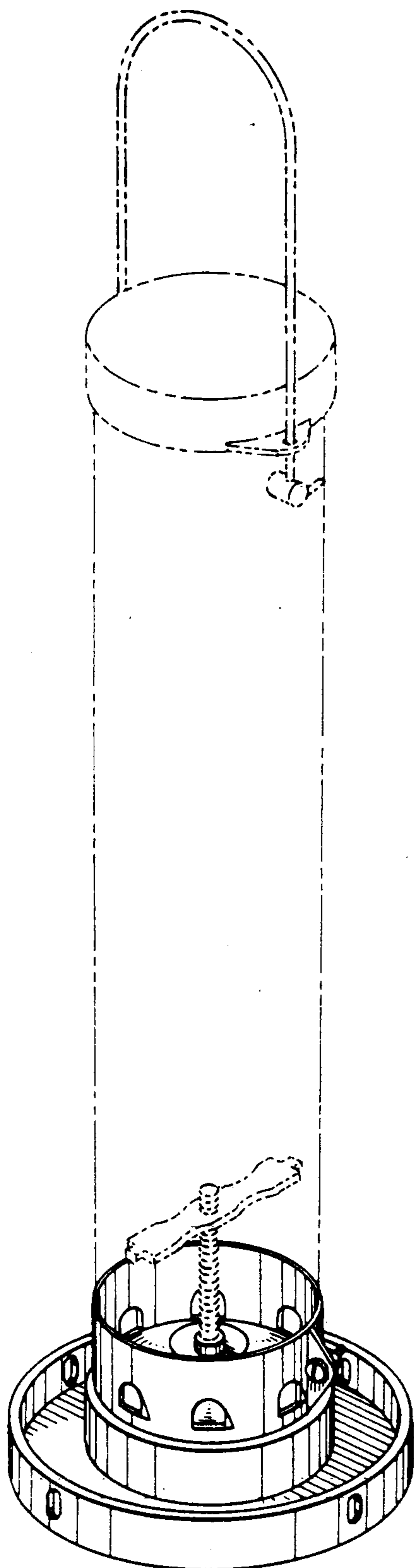


FIG. 1

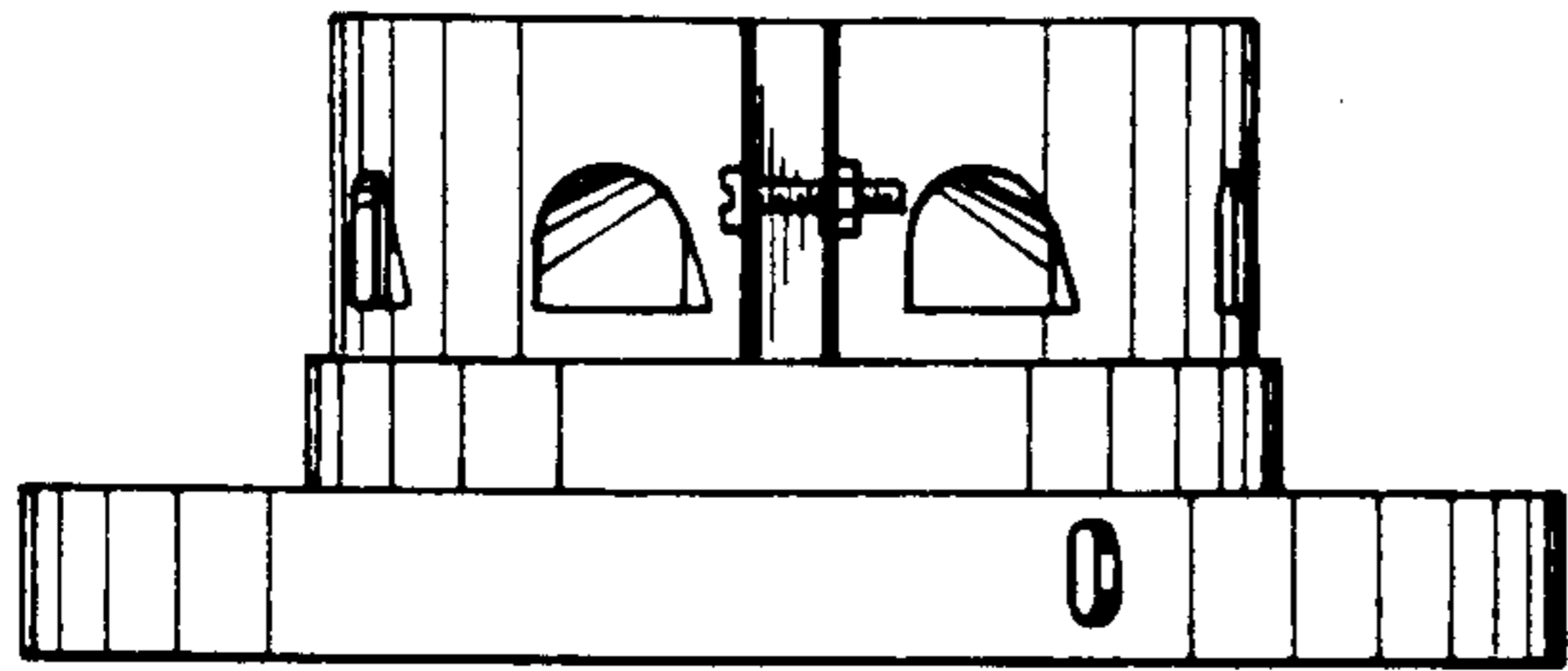


FIG. 3

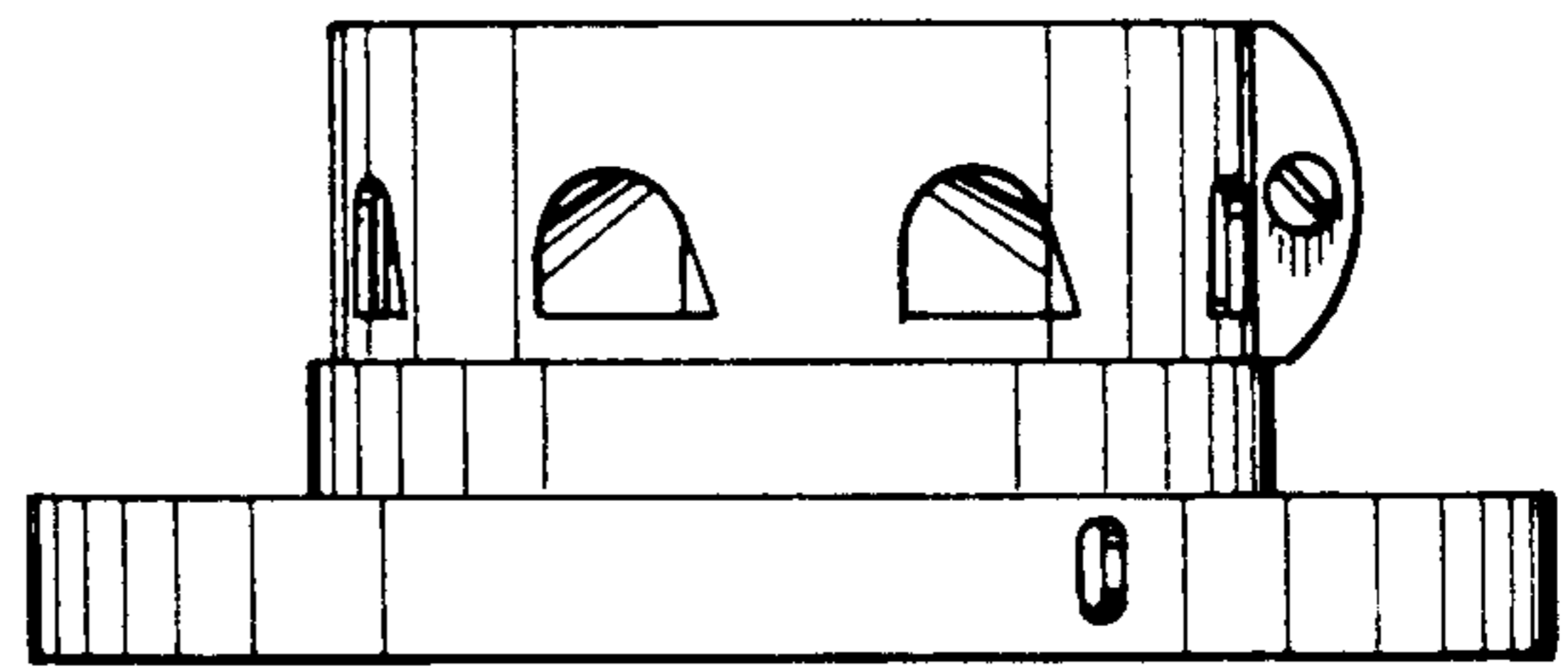


FIG. 2

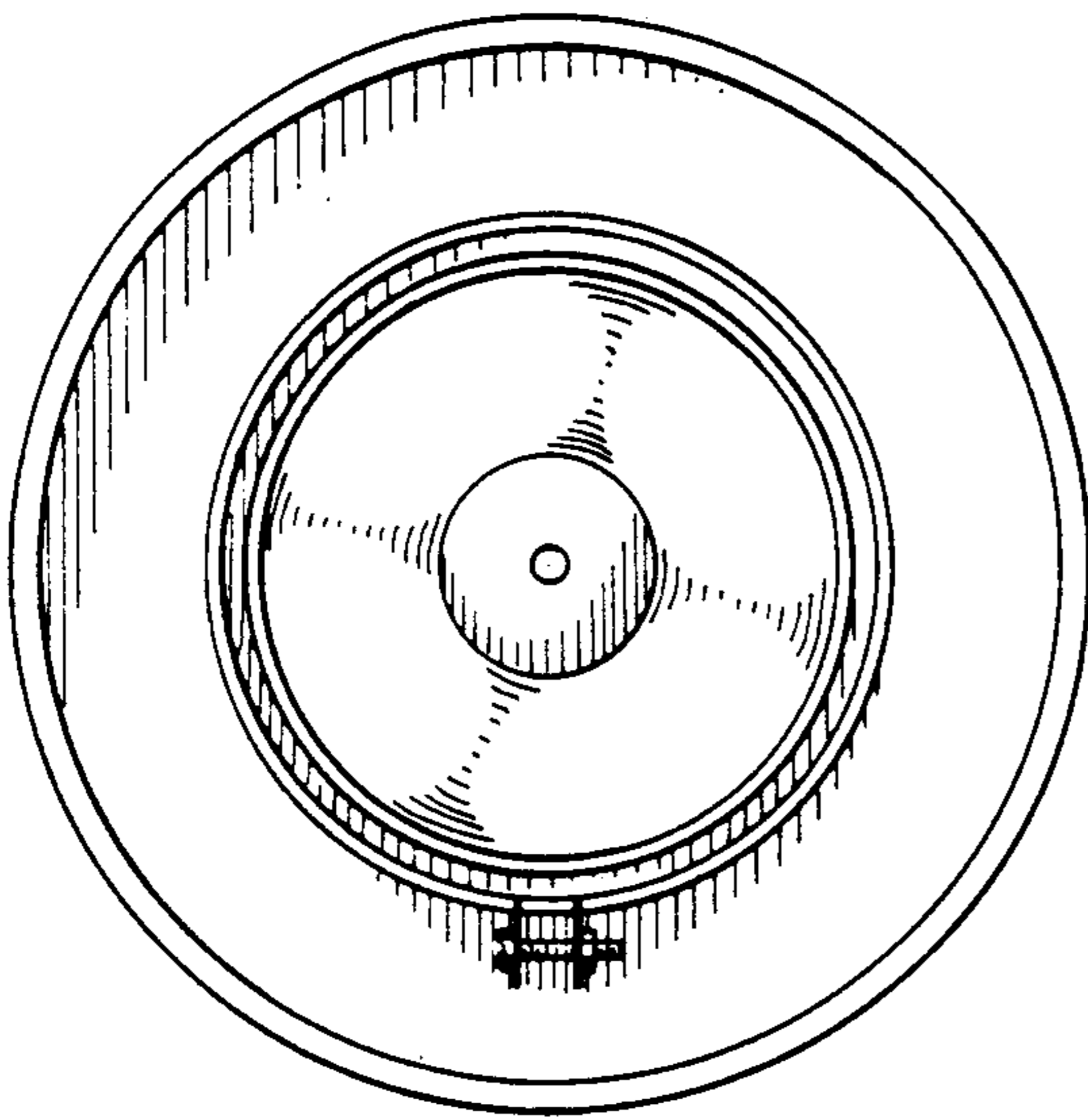


FIG. 4

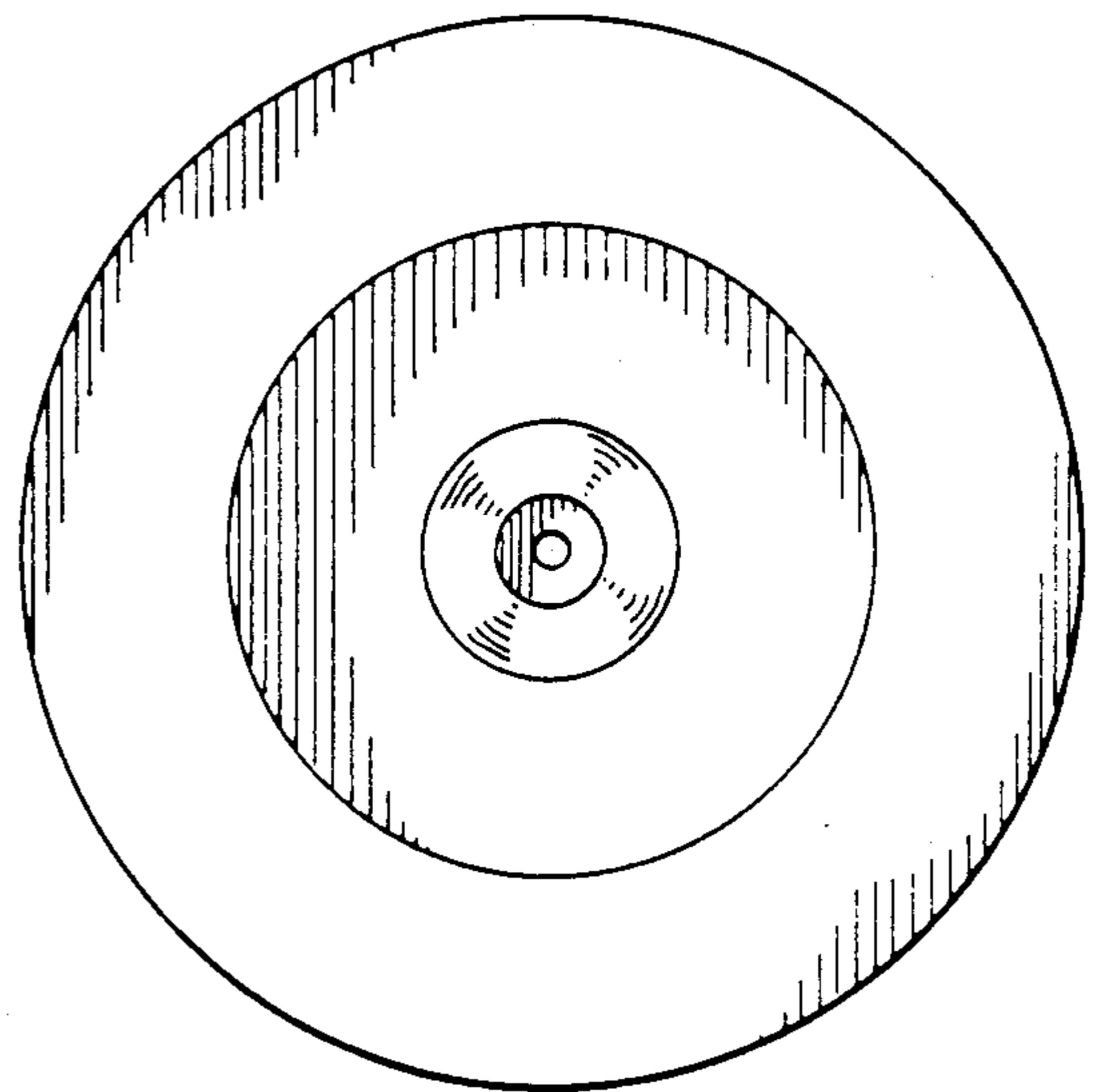


FIG. 5

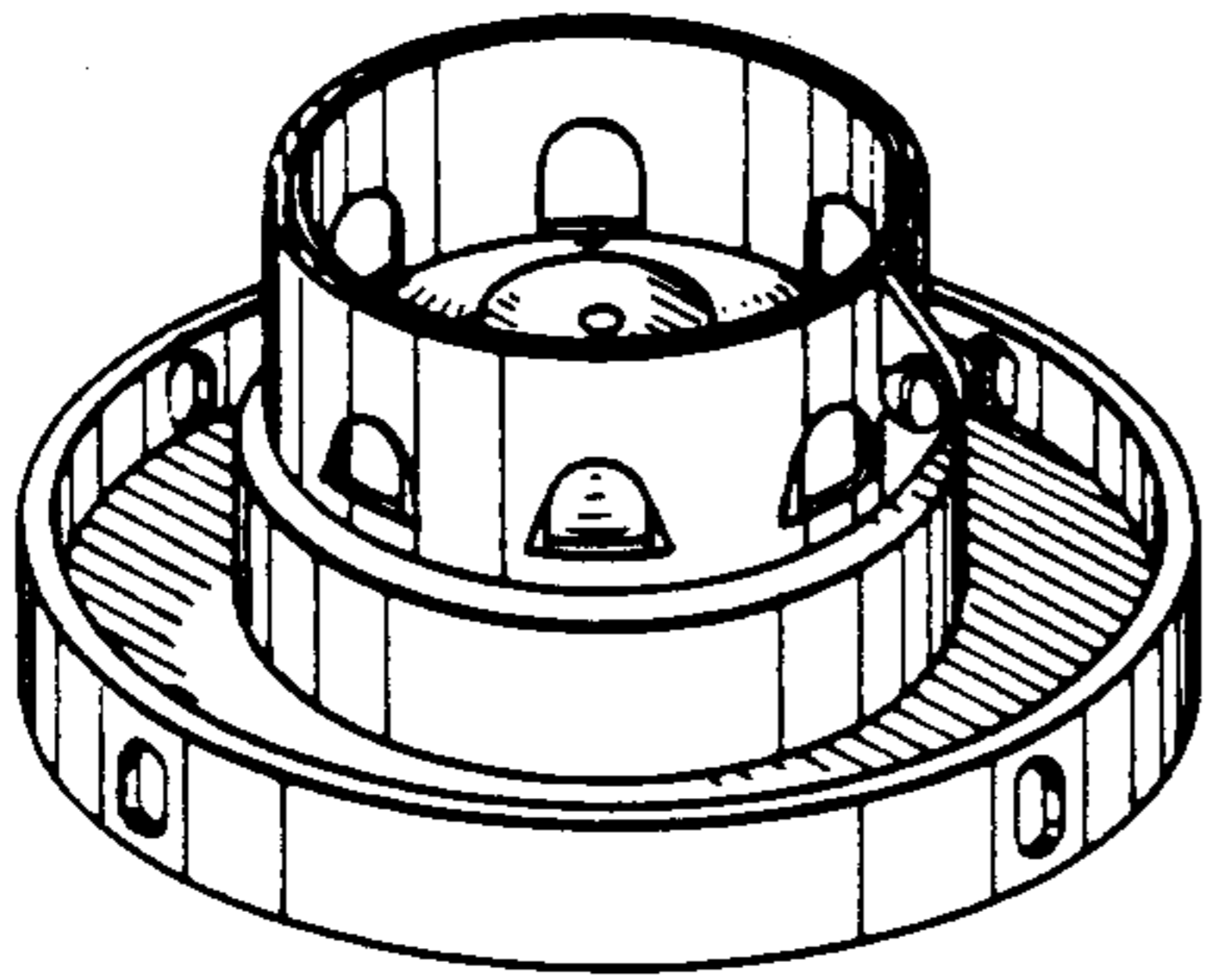


FIG. 6

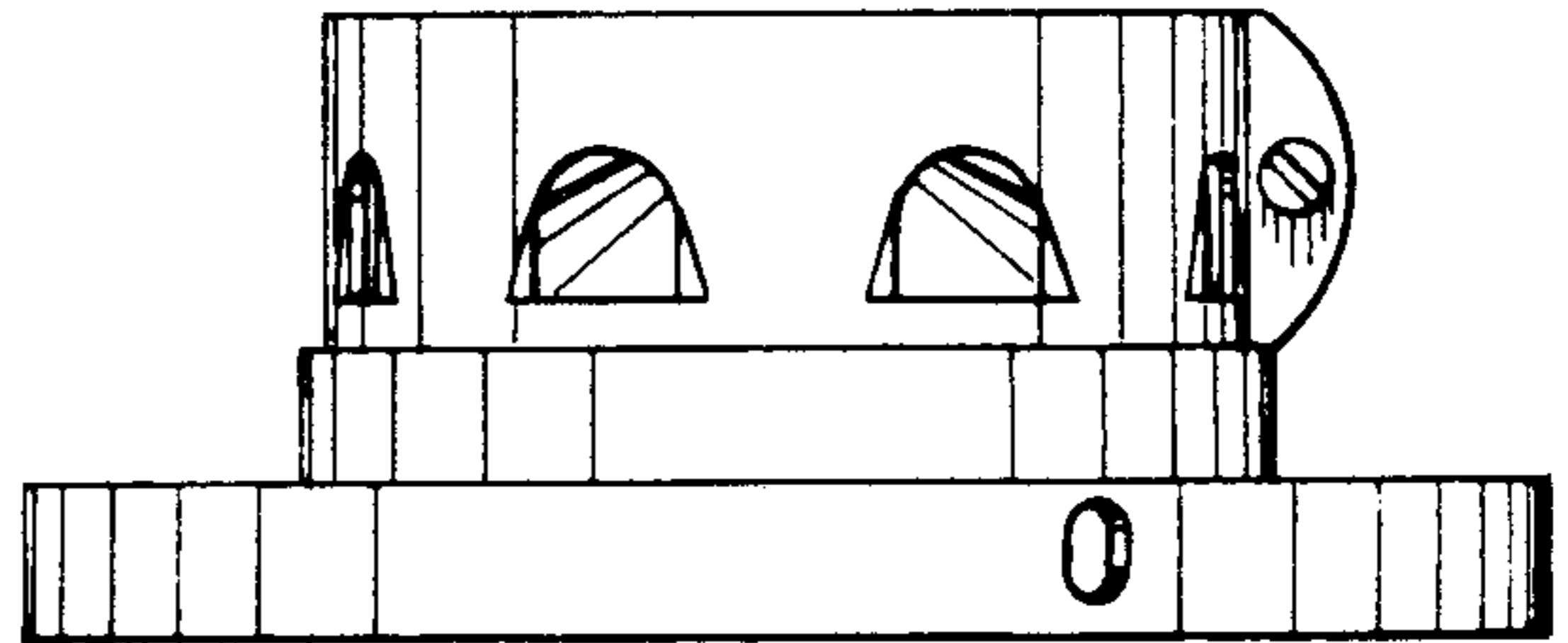


FIG. 7

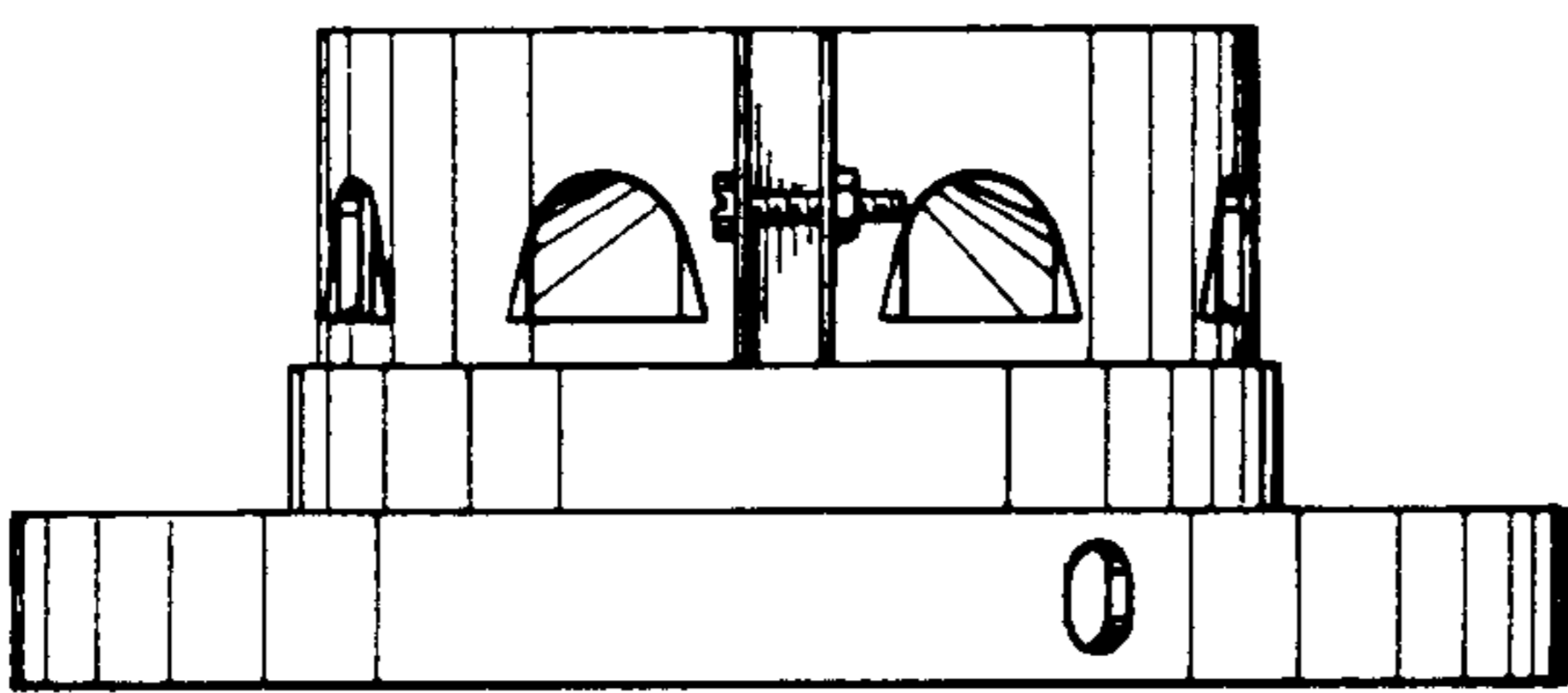


FIG. 8

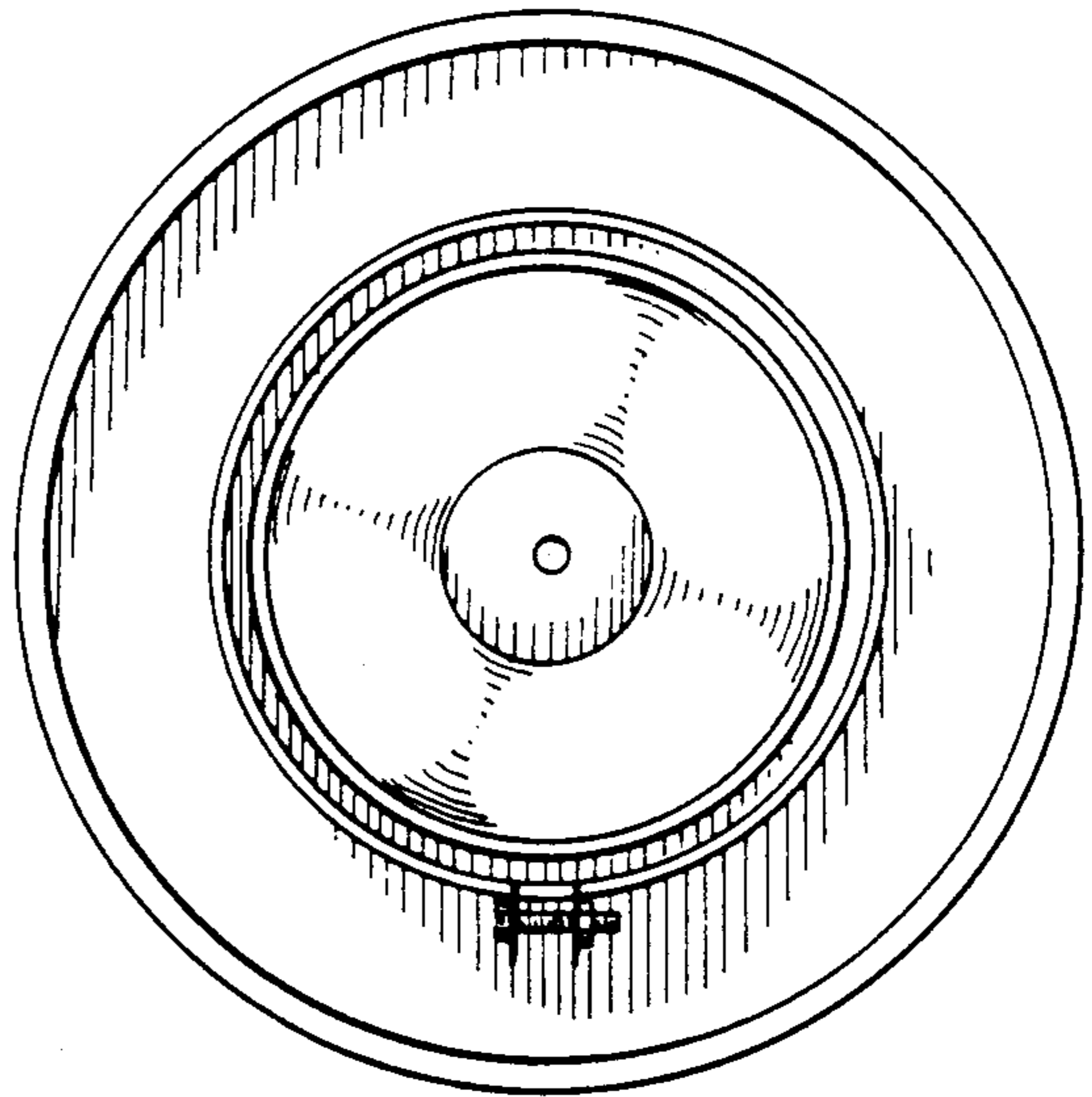


FIG. 9

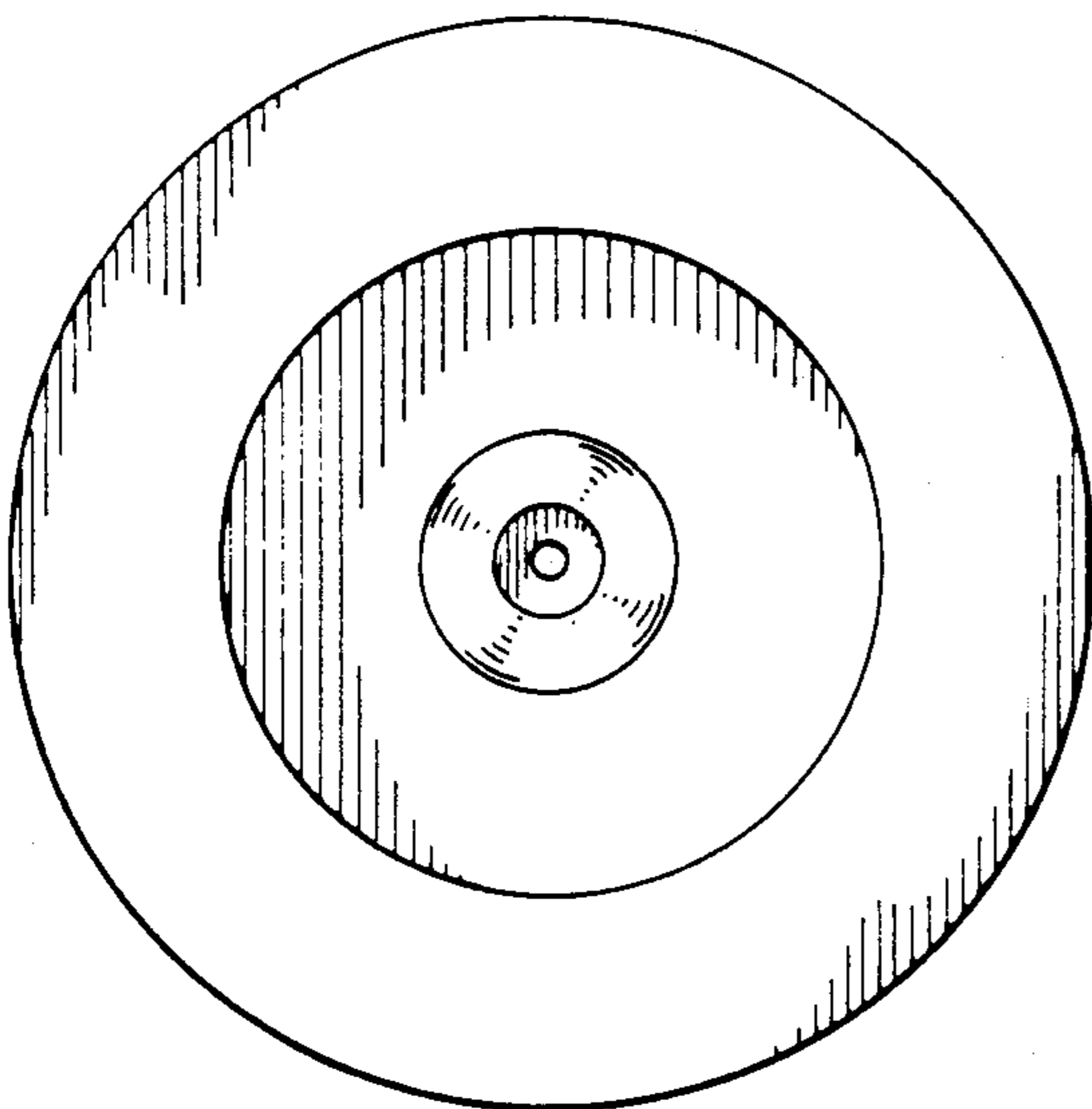


FIG. 10