

[54] LIGHTER

[75] Inventor: Richard F. M. Peersmann, Scheveningen, Netherlands

[73] Assignee: Pollyflame International B.V., Roelofarendsveen, Netherlands

[\*\*] Term: 14 Years

[21] Appl. No.: 451,029

[22] Filed: Dec. 15, 1989

[30] Foreign Application Priority Data

Jun. 16, 1989 [XB] Benelux ..... 64405-00

[52] U.S. Cl. .... D27/148

[58] Field of Search ..... D27/141-160; 431/124-144; D21/232; 273/3 R, 9

[56] References Cited

U.S. PATENT DOCUMENTS

- D. 207,782 5/1967 Benkoe ..... D21/232
- D. 229,841 1/1974 Crossman ..... D21/232
- D. 291,369 8/1987 Ichikawa ..... D27/148

- D. 293,382 12/1987 Ichikawa ..... D27/148
- 1,443,266 4/1921 King ..... D21/232 X

OTHER PUBLICATIONS

Toys and Novelties, Jun. 1, 1964, p. 52, toy pool table, located in lower left-hand corner.  
Toys and Novelties, Jun. 1, 1964, p. 45, pool table, located lower right-hand corner.

Primary Examiner—Wallace R. Burke  
Assistant Examiner—Holly H. Baynham  
Attorney, Agent, or Firm—Foley & Lardner

[57] CLAIM

The ornamental design for a lighter, as shown.

DESCRIPTION

FIG. 1 is a top perspective view of a lighter, showing my new design;  
FIG. 2 is a top plan view thereof;  
FIG. 3 is a front side elevational view thereof;  
FIG. 4 is a rear side elevational view thereof;  
FIG. 5 is a left side elevational view thereof;  
FIG. 6 is a right side elevational view thereof; and  
FIG. 7 is a bottom plan view thereof.

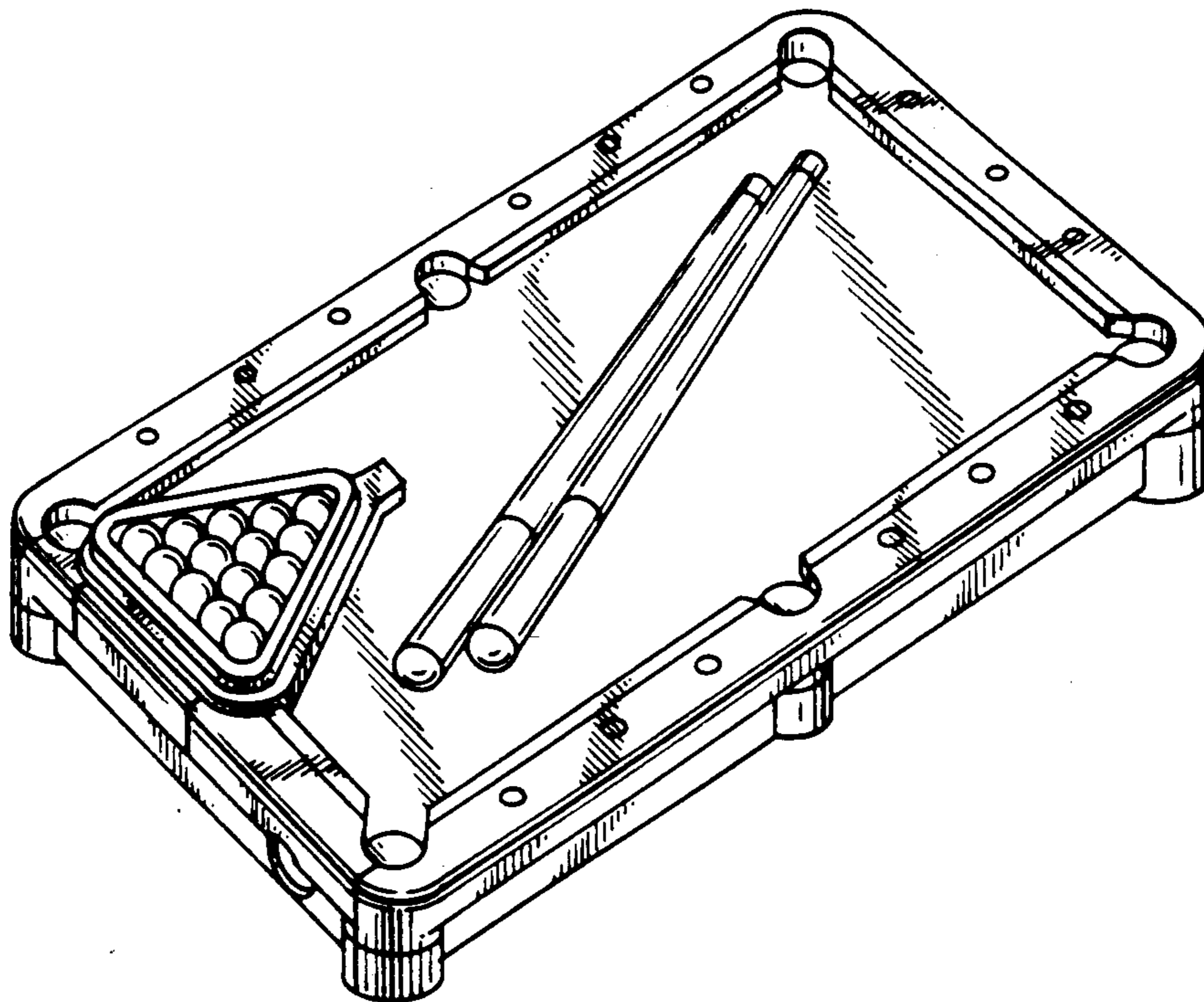


FIG. 1

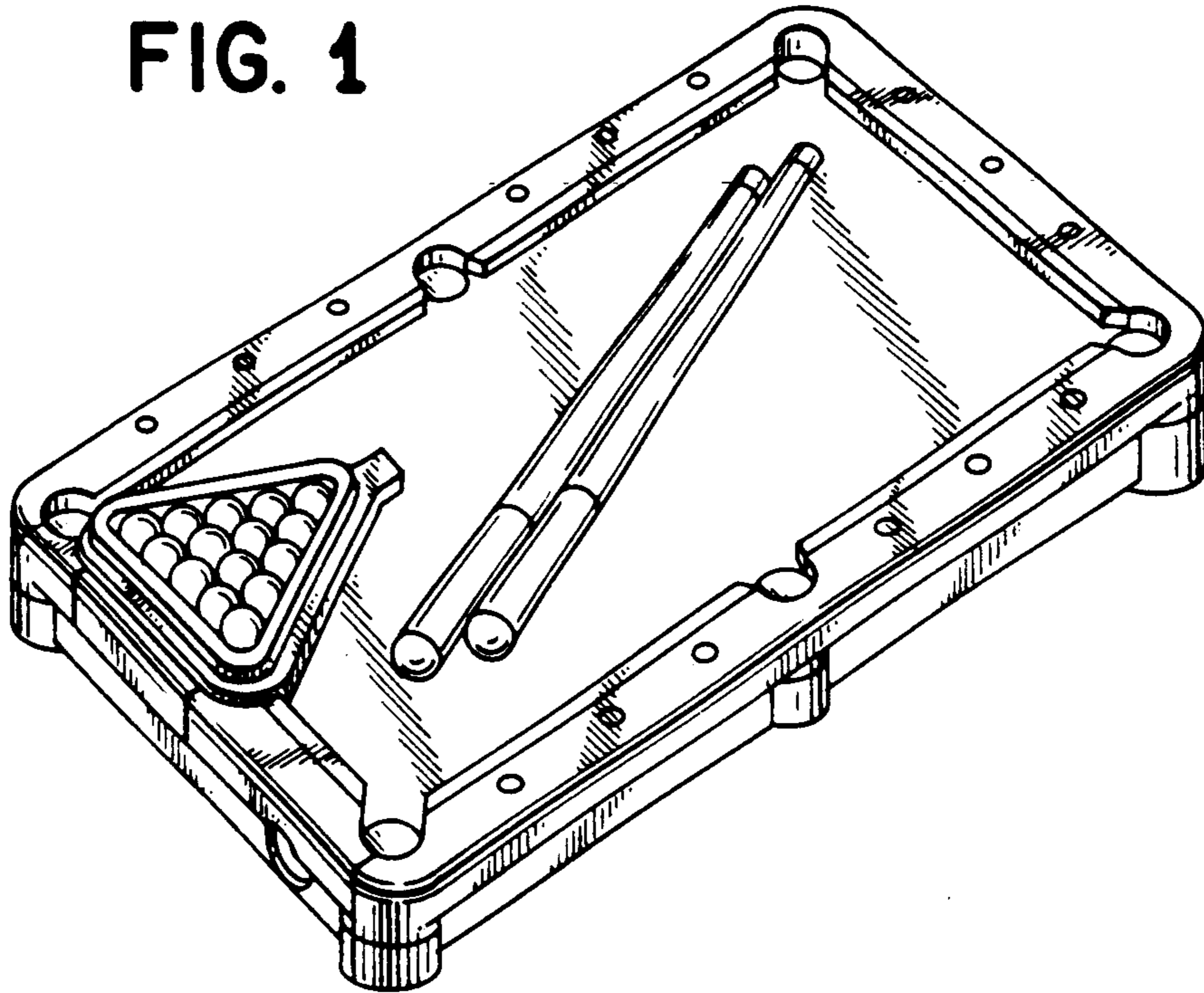


FIG. 2

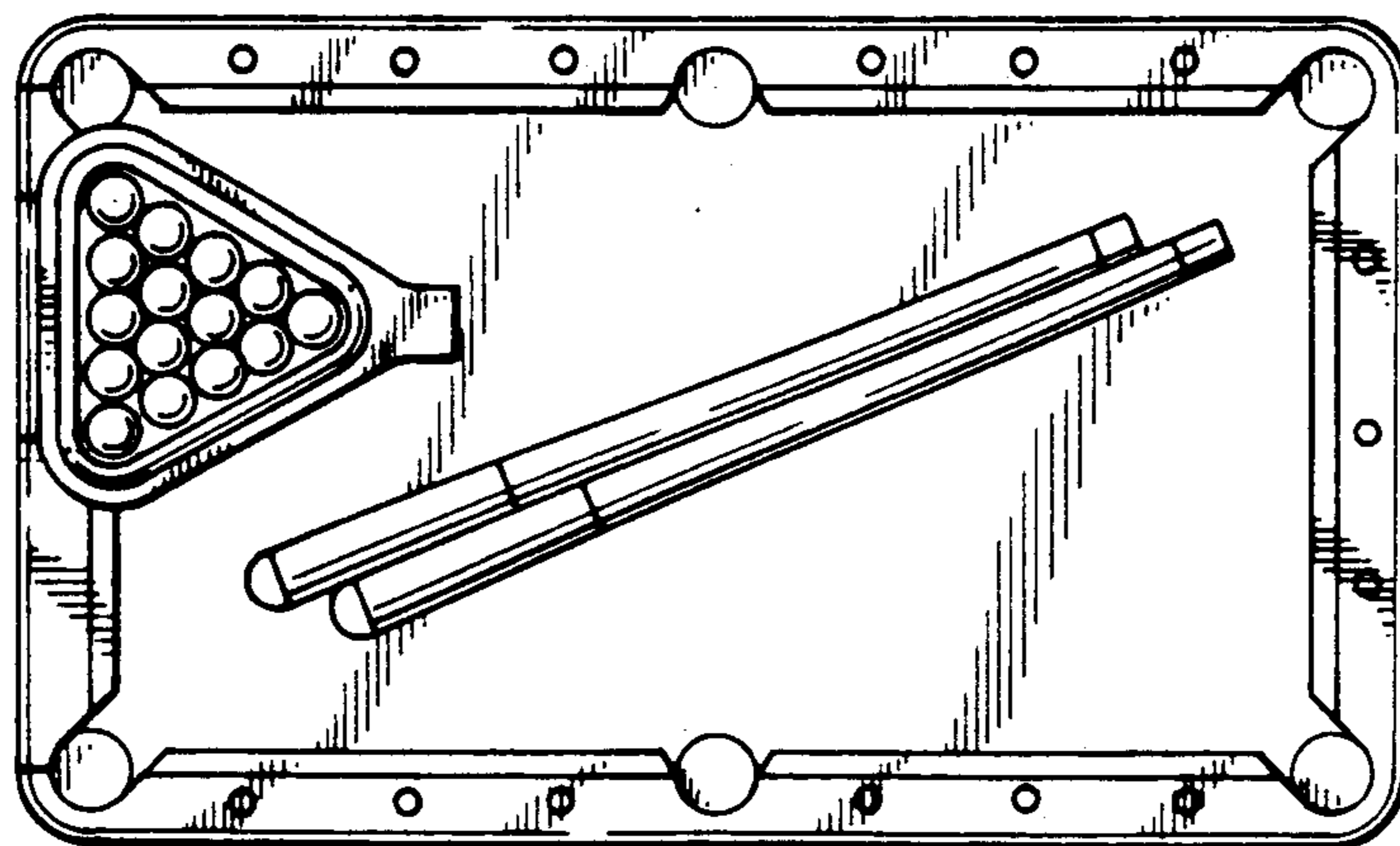


FIG. 3

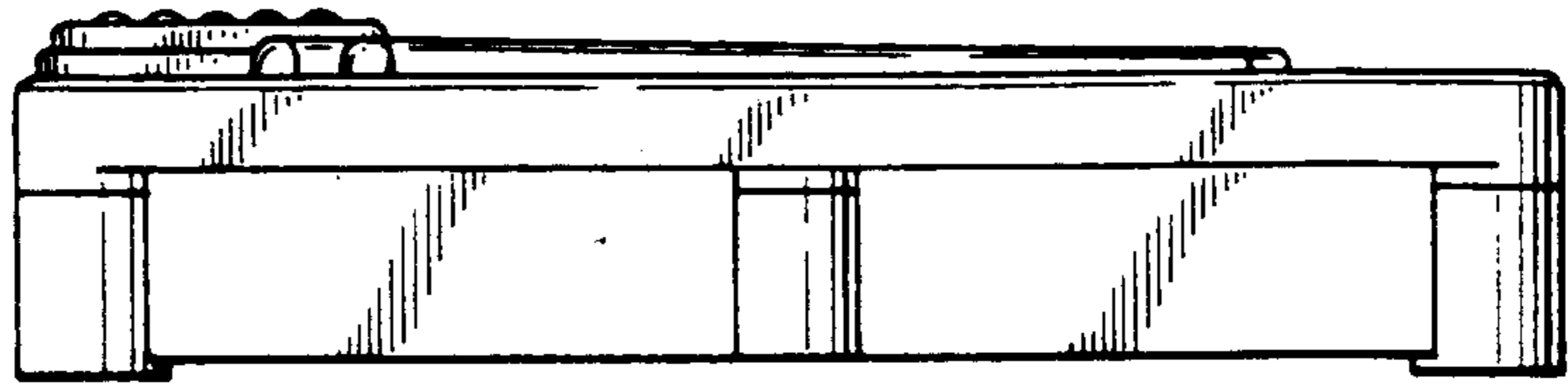


FIG. 4

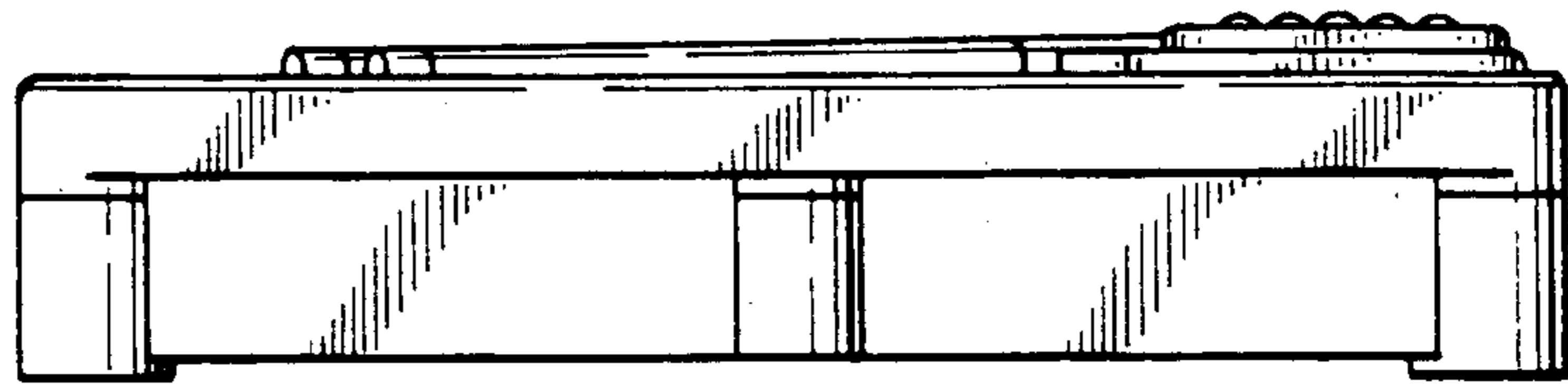


FIG. 5

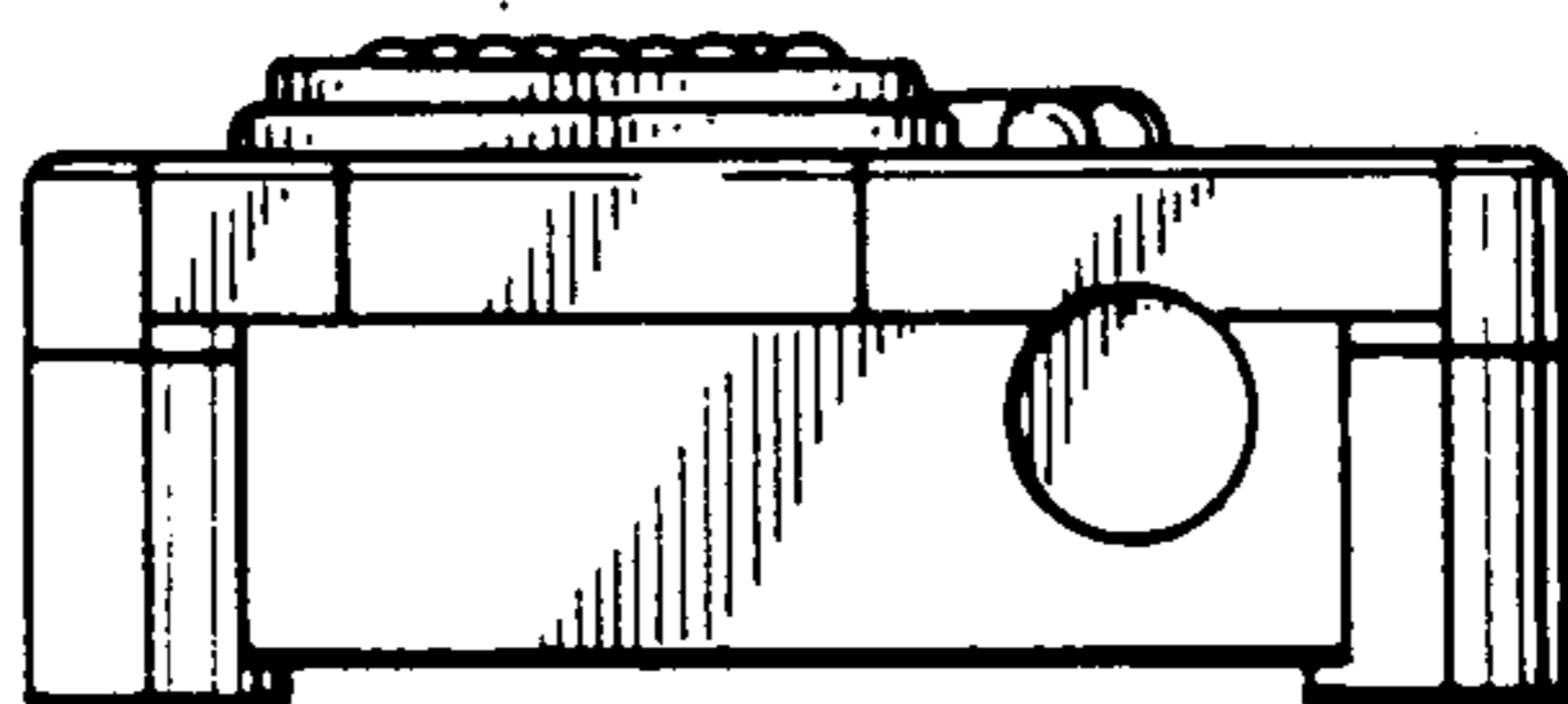


FIG. 6

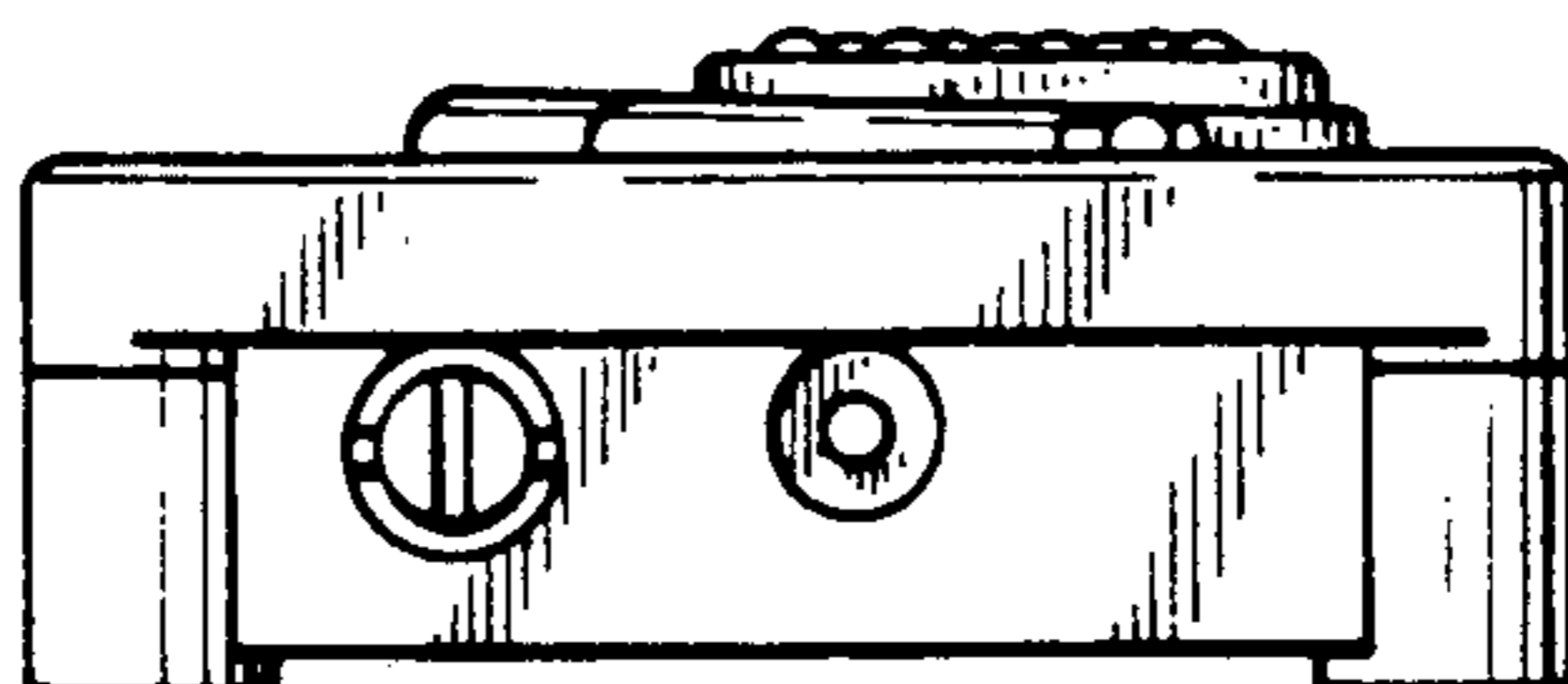


FIG. 7

