

[54] **FLUORESCENT LIGHTING FIXTURE GRILL**

[75] **Inventor: Jack Burkarth, Dallas, Tex.**
[73] **Assignee: Gulton Industries, Inc., Plano, Tex.**
[**] **Term: 14 Years**
[21] **Appl. No.: 391,496**

[22] **Filed: Aug. 8, 1989**
[52] **U.S. Cl. D26/121; D26/77**
[58] **Field of Search 362/217, 220, 221, 222, 362/223, 224, 225; D26/72, 75-79, 80-92, 121**

[56] **References Cited**
U.S. PATENT DOCUMENTS

D. 188,436 7/1960 Budke et al. D26/77
D. 192,745 5/1962 Guth, Jr. D26/76
D. 292,026 9/1987 Krol D26/77

D. 308,259 5/1990 Burkarth D26/78
2,960,604 11/1960 Guth, Sr. 362/354
4,122,511 10/1978 Petersen 362/354 X
4,625,267 11/1986 Mikalonis 362/150

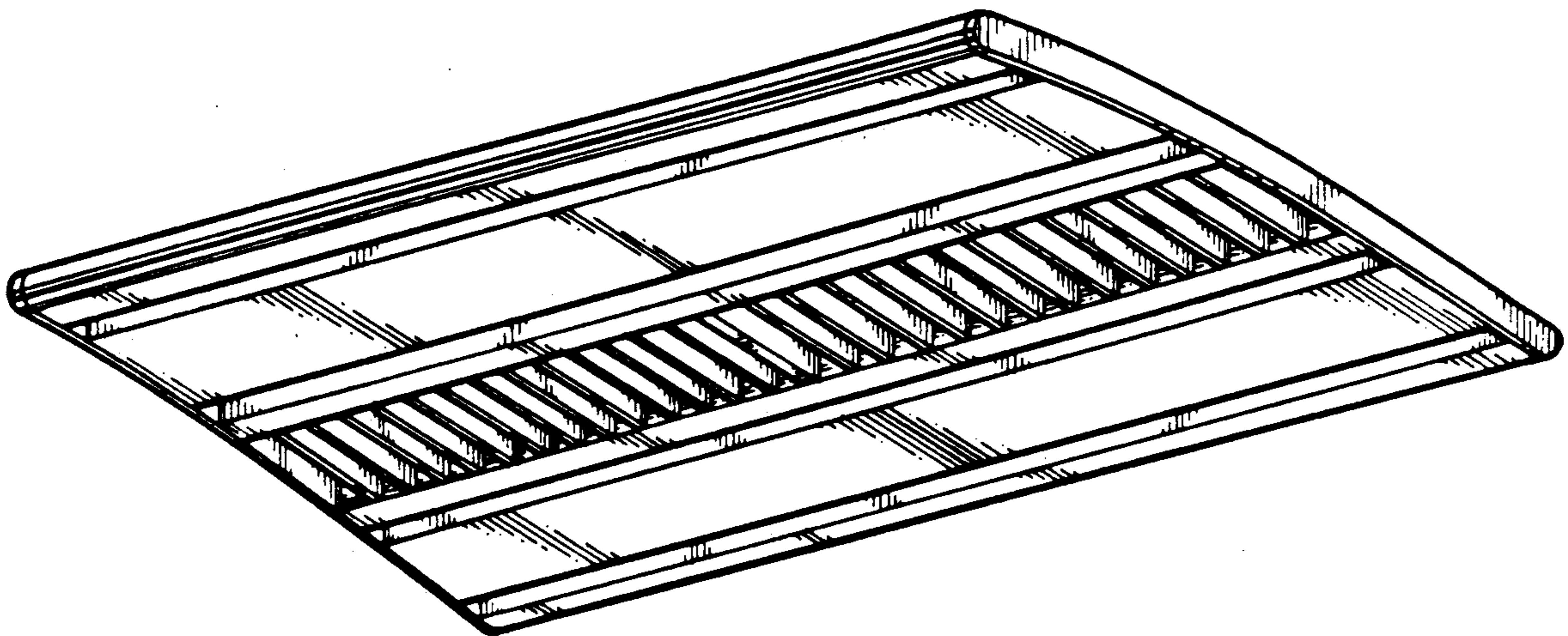
Primary Examiner—Susan J. Lucas
Attorney, Agent, or Firm—Darby & Darby

[57] **CLAIM**

The ornamental design for a fluorescent lighting fixture grill, as shown and described.

DESCRIPTION

FIG. 1 is a bottom perspective view of a fluorescent lighting fixture grill showing my new design;
FIG. 2 is a front elevational view thereof, the rear being a mirror image;
FIG. 3 is a bottom plan view thereof;
FIG. 4 is a right end elevational view thereof, the left end being a mirror image;
FIG. 5 is a top plan view thereof.



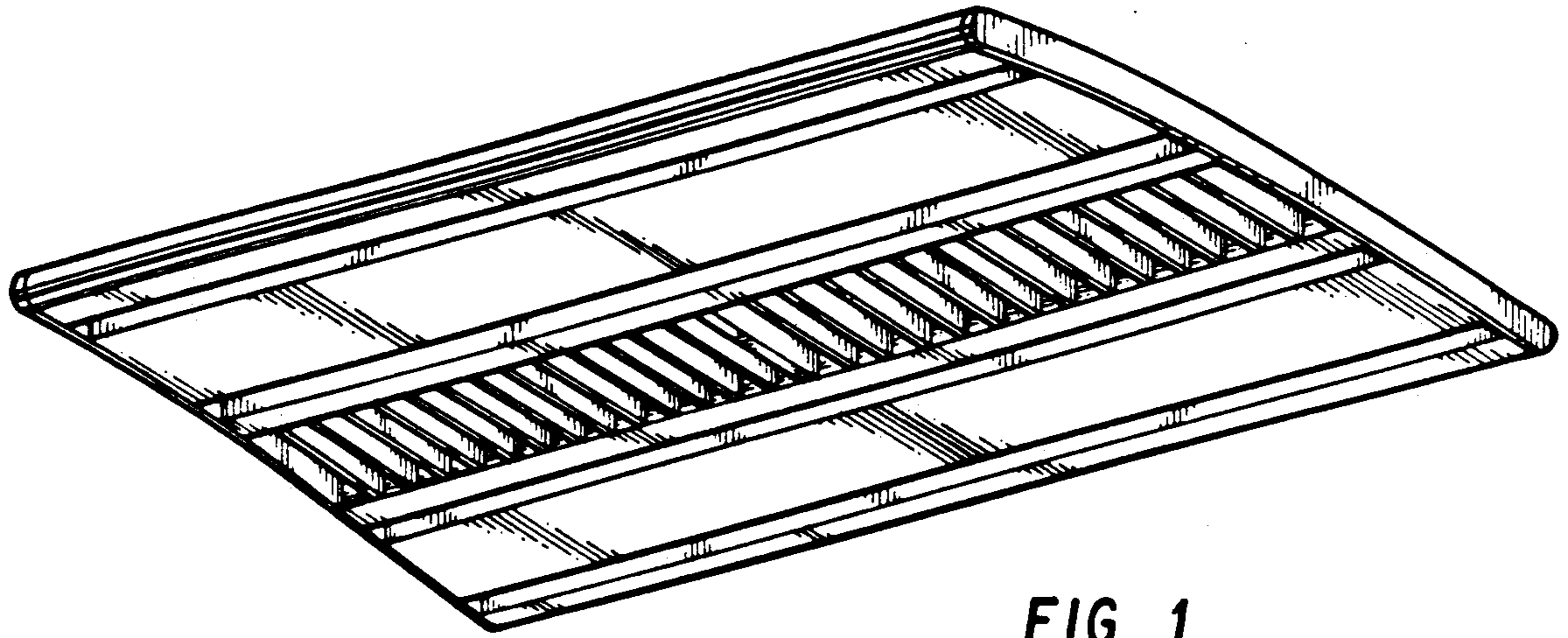


FIG. 1

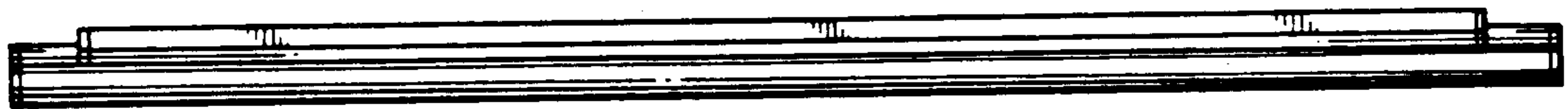


FIG. 2

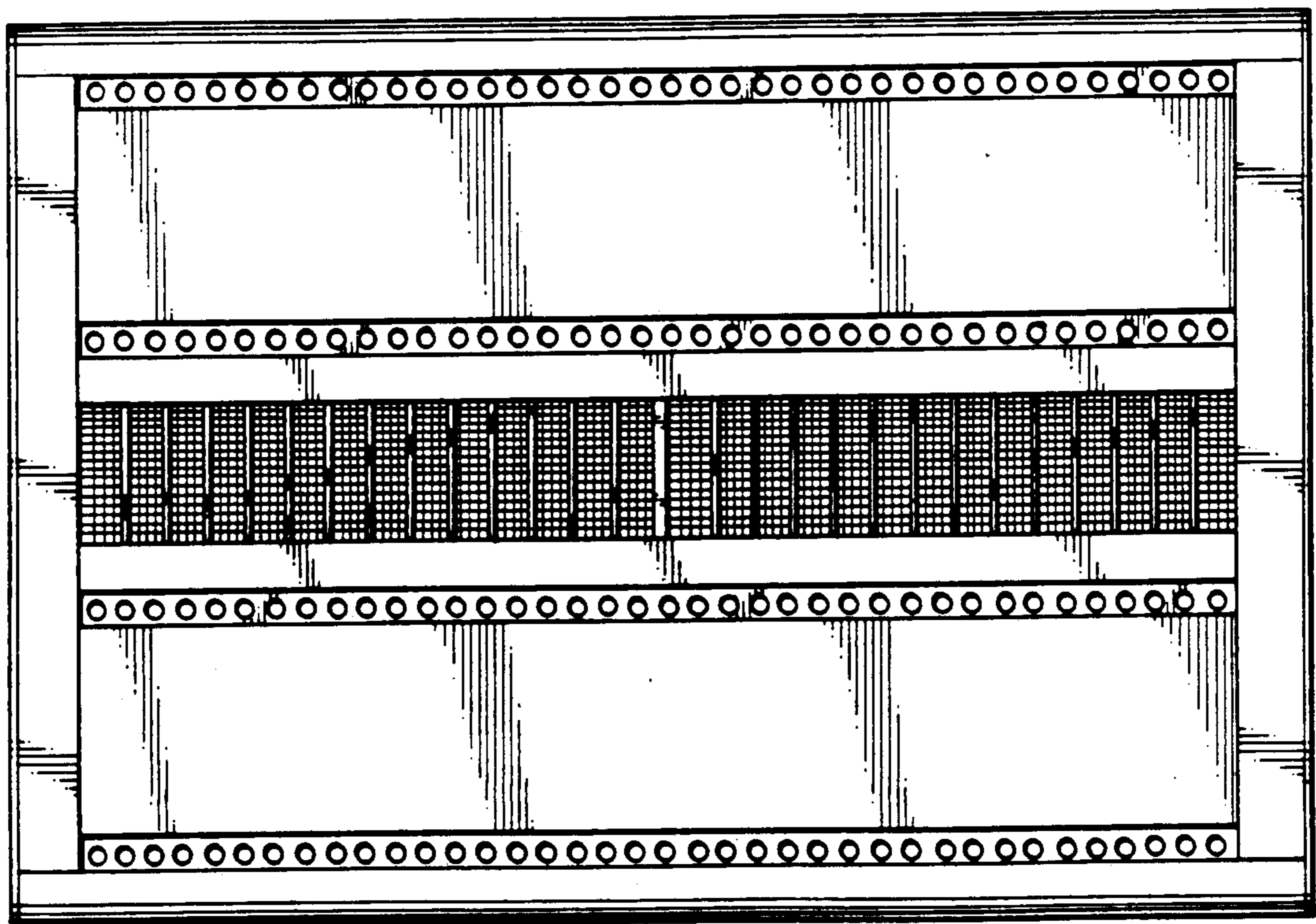


FIG. 3



FIG. 4

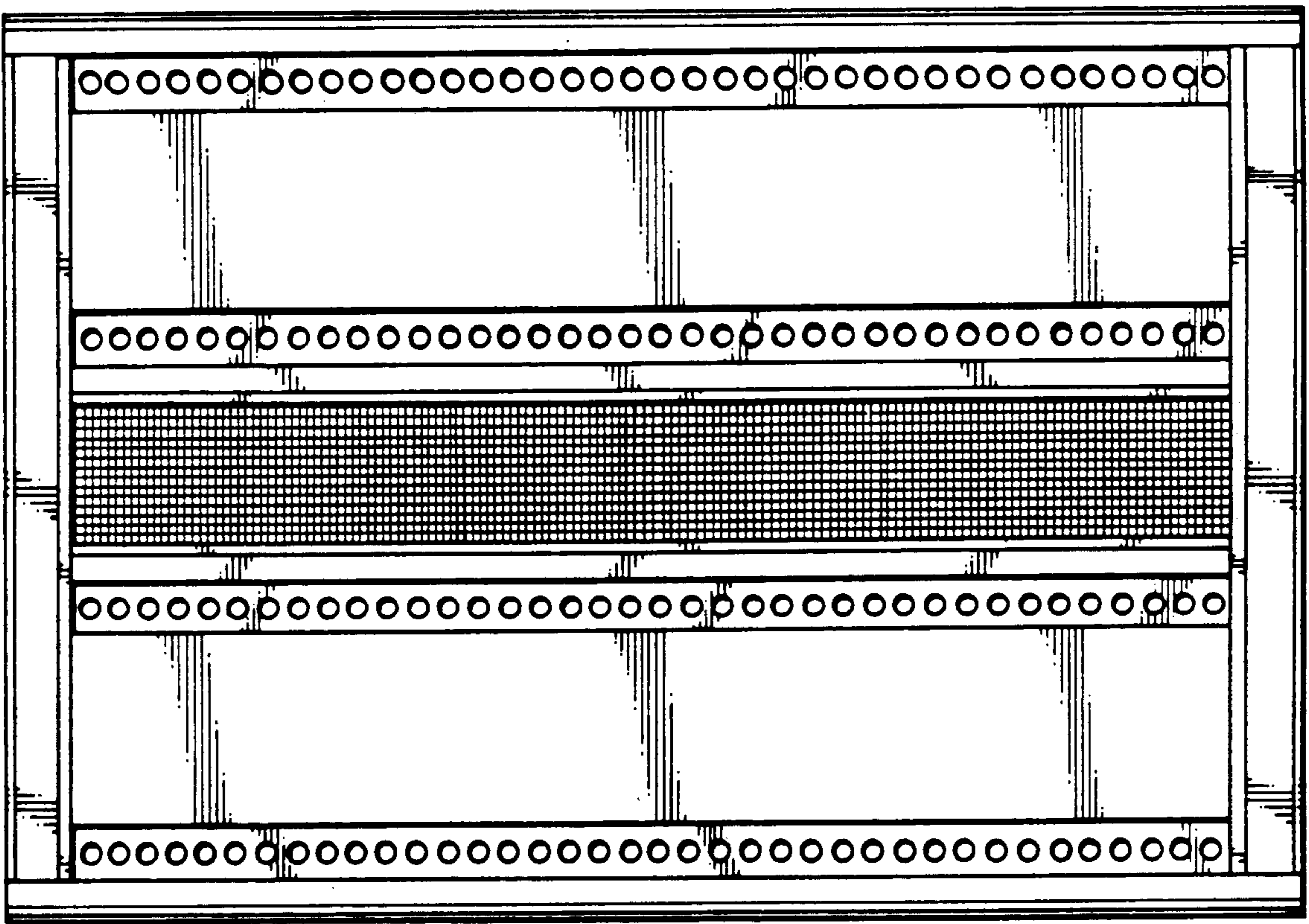


FIG. 5