

United States Patent [19]

McQueen

[11] Patent Number: **Des. 320,279**

[45] Date of Patent: **** Sep. 24, 1991**

[54] **FACIAL TONER**

[76] Inventor: **Rita E. McQueen**, 3741 Countryside La., Long Beach, Calif. 90806

[**] Term: **14 Years**

[21] Appl. No.: **325,497**

[22] Filed: **Mar. 20, 1989**

[52] U.S. Cl. **D24/215; D24/200; D28/61**

[58] Field of Search **D24/40, 41, 42; 128/24.1, 67, 61, 46; D28/61**

[56] **References Cited**

U.S. PATENT DOCUMENTS

- D. 226,043 1/1973 Wolff D24/41
- D. 249,707 9/1978 Burke et al. D24/41

- D. 273,328 4/1984 Hastings et al. D24/41
- D. 296,929 7/1988 Yokoyama et al. D24/40 X

Primary Examiner—Stella Reid
Attorney, Agent, or Firm—Kelly Bauersfeld & Lowry

[57] **CLAIM**

The ornamental design for a facial toner, as shown and described.

DESCRIPTION

FIG. 1 is a top, front and left side perspective view of a facial toner, showing my new design;
 FIG. 2 is a left side elevational view thereof, the right side elevational view being a mirror image;
 FIG. 3 is a top plan view thereof;
 FIG. 4 is a bottom plan view thereof;
 FIG. 5 is a front end elevational view thereof; and
 FIG. 6 is a rear end elevational view thereof.

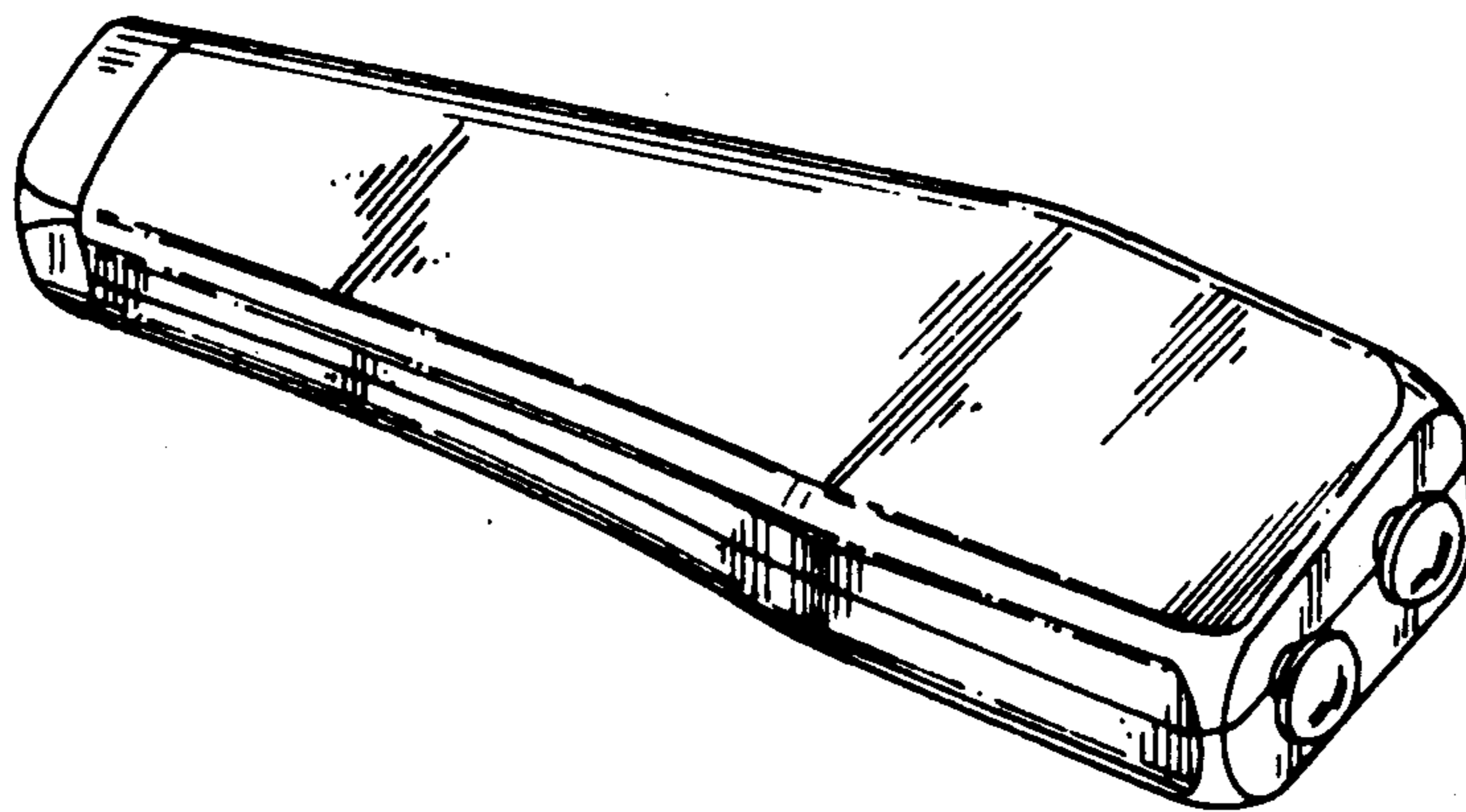


FIG. 1

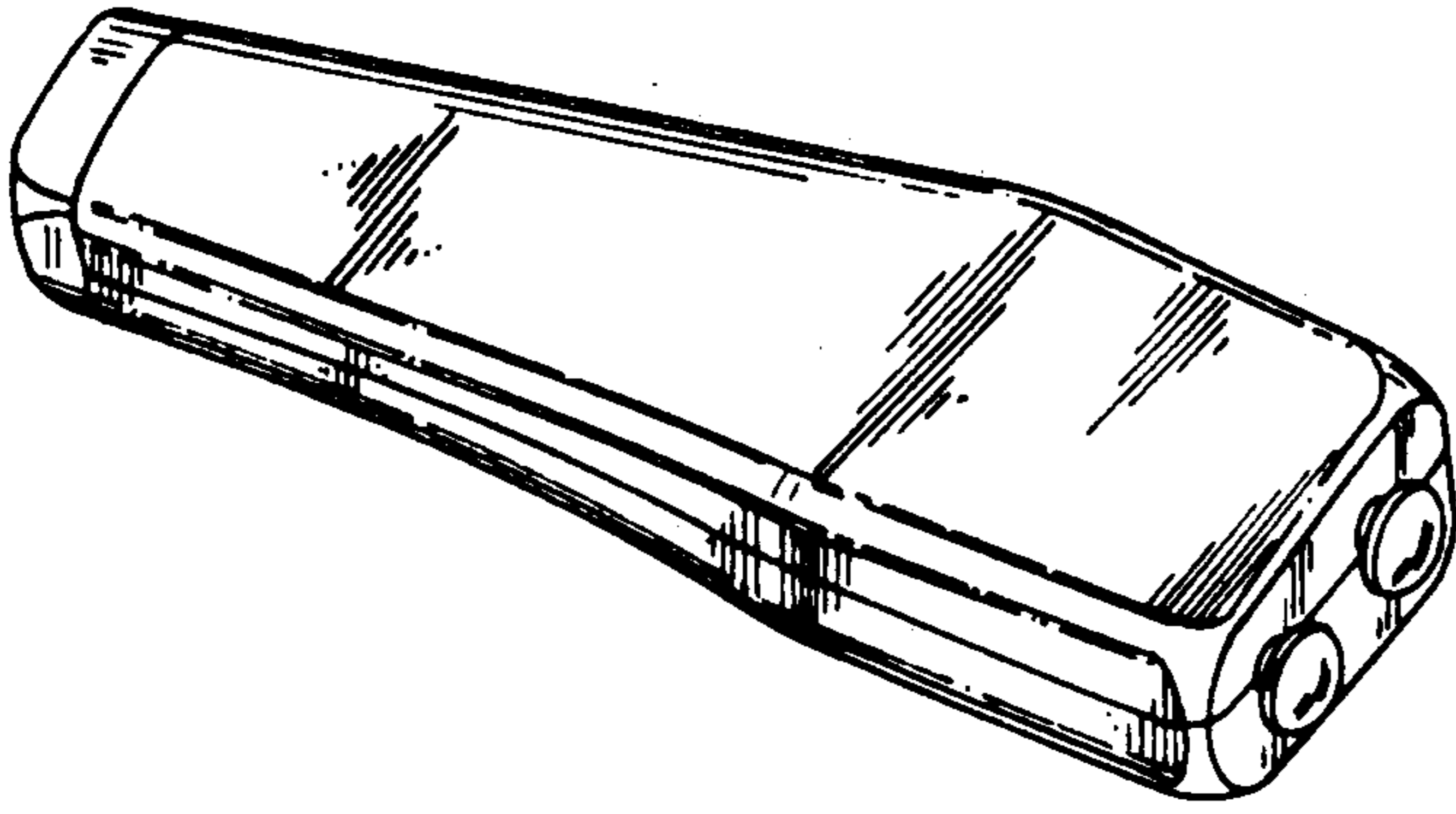


FIG. 2

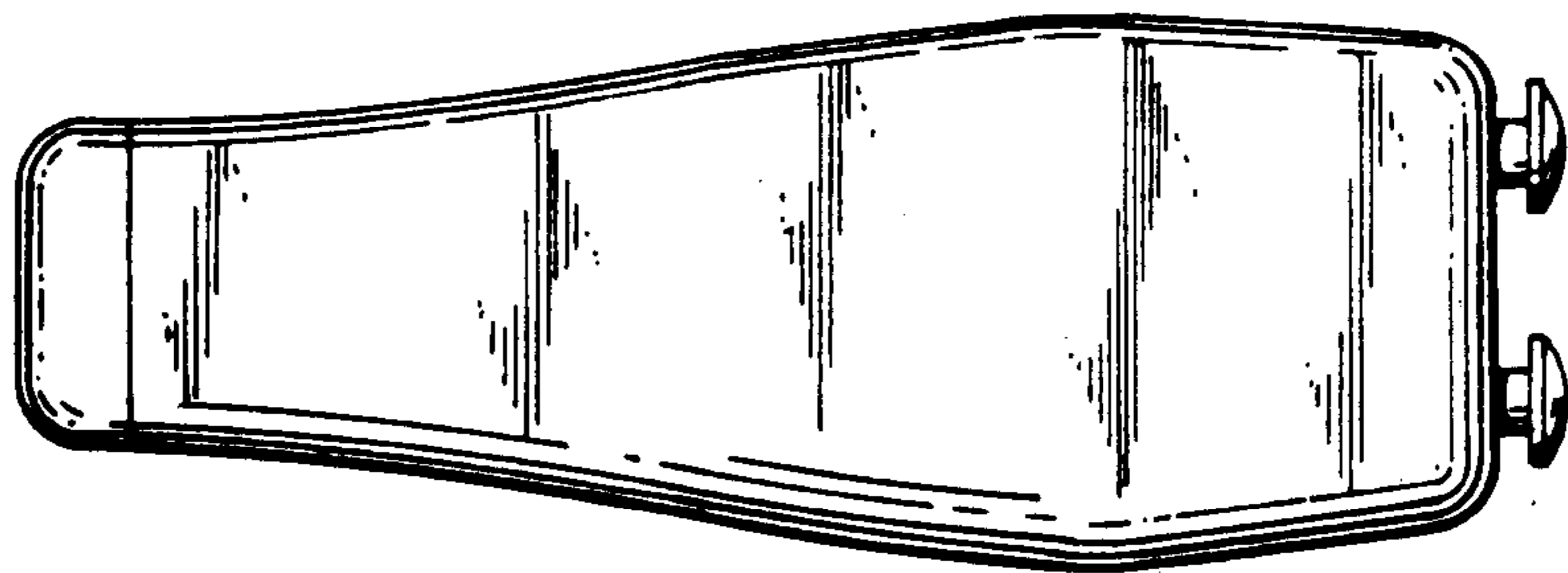


FIG. 3

FIG. 4

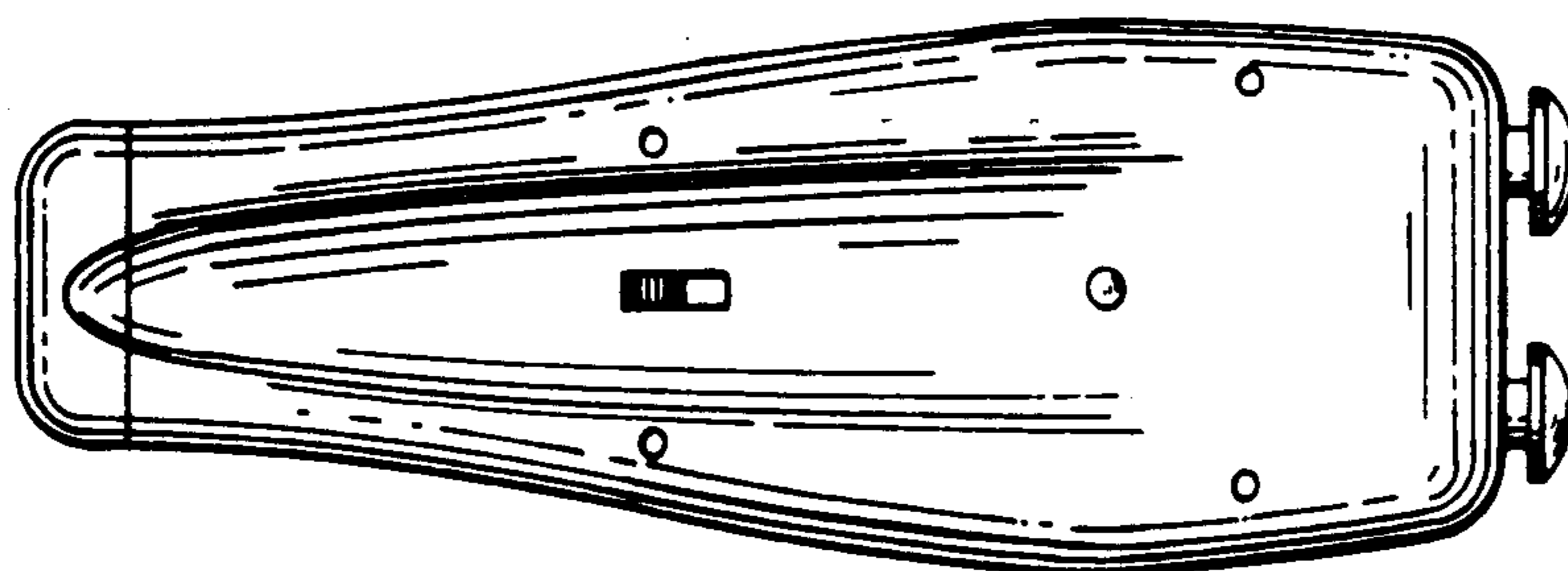


FIG. 5

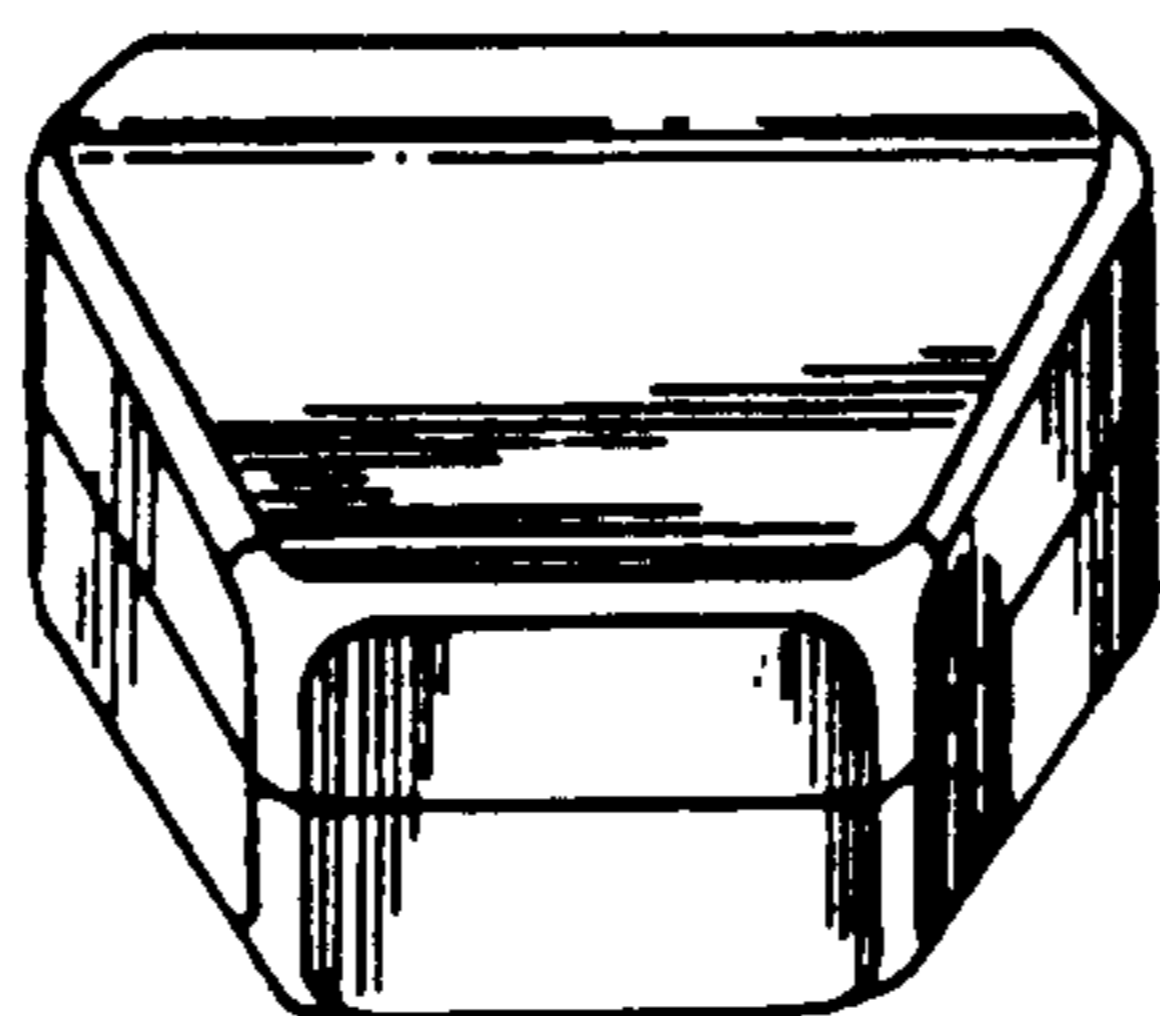
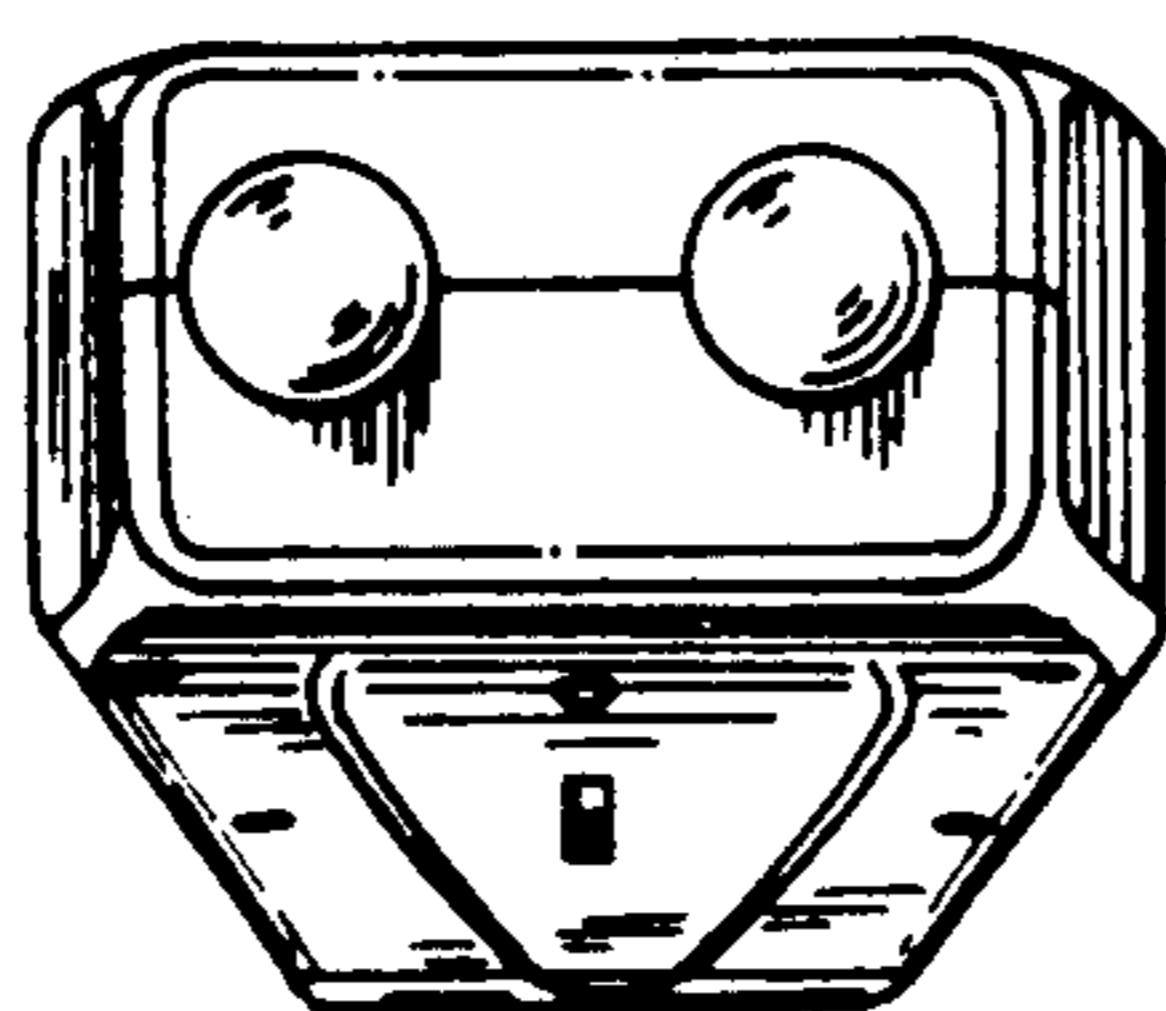


FIG. 6