

- [54] CONTACT LENS DISINFECTOR
- [75] Inventors: Francis E. Ryder, Arab; Rowland W. Kanner, Guntersville; Fred E. Williams, Arab, all of Ala.
- [73] Assignee: Ryder International Corporation, Arab, Ala.
- [**] Term: 14 Years
- [21] Appl. No.: 321,469
- [22] Filed: Mar. 9, 1989

4,677,280 6/1987 Kai 219/521
 4,743,738 5/1988 Ryder et al. 219/521

Primary Examiner—Stella Reid
 Attorney, Agent, or Firm—Trexler, Bushnell, Giangiorgi & Blackstone, Ltd.

[57] CLAIM

The ornamental design for a contact lens disinfector, as shown and described.

DESCRIPTION

FIG. 1 is a perspective view of a contact lens disinfector, showing our new design;
 FIG. 2 is a right side elevational view thereof, the left side elevational view being a mirror image;
 FIG. 3 is a front elevational view thereof;
 FIG. 4 is a top plan view thereof;
 FIG. 5 is a bottom plan view thereof;
 FIG. 6 is a rear elevational view thereof;
 FIG. 7 is a perspective view of a second embodiment of the contact lens disinfector;
 FIG. 8 is a right side elevational view thereof, the left side elevational view being a mirror image;
 FIG. 9 is a front elevational view thereof;
 FIG. 10 is a top plan view thereof;
 FIG. 11 is a bottom plan view thereof; and
 FIG. 12 is a rear elevational view thereof.
 The broken line showing of the contact lens case in FIGS. 1 and 7 is for illustrative purposes only and forms no part of the claimed design.

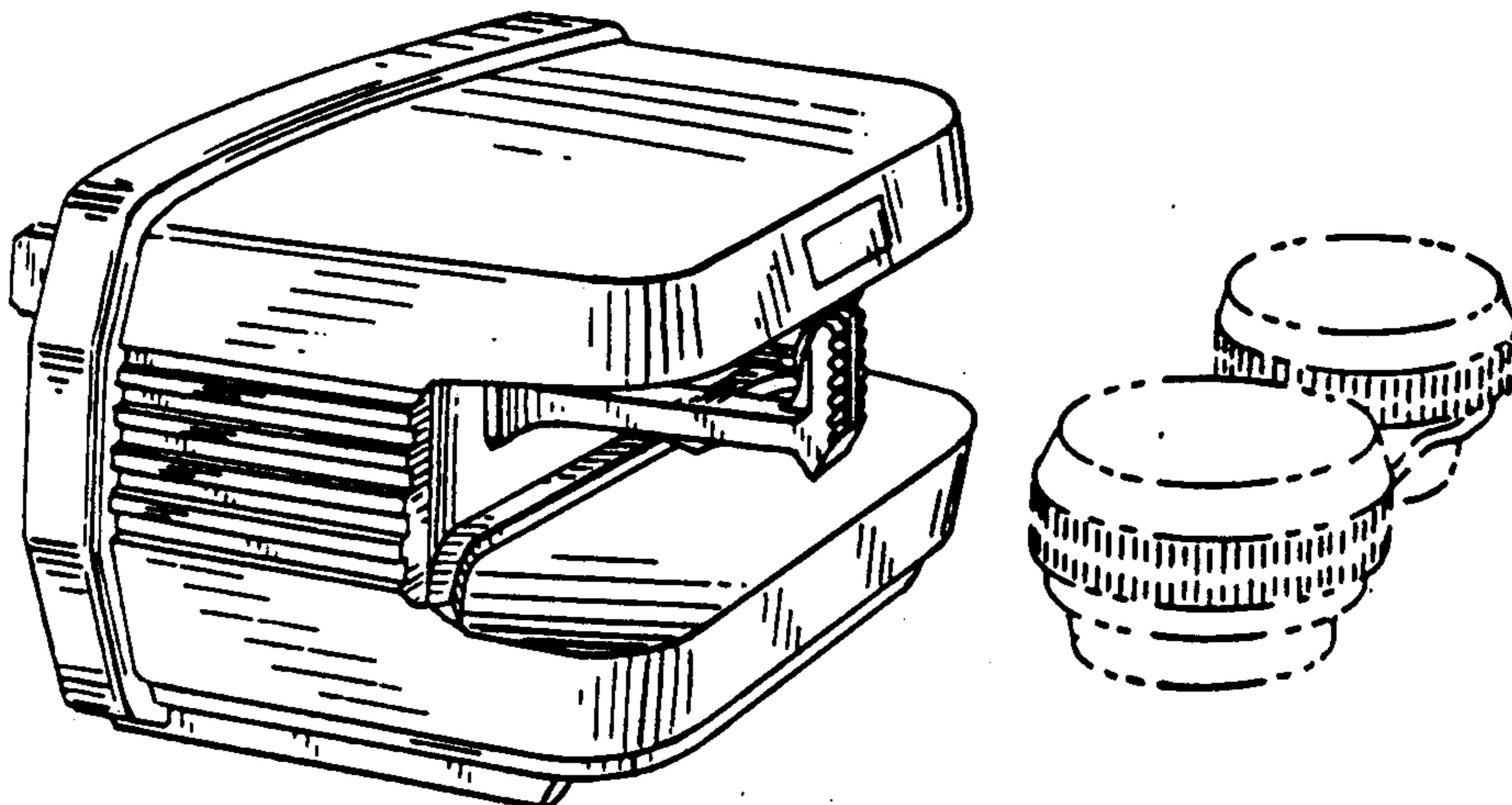
Related U.S. Application Data

- [63] Continuation-in-part of Ser. No. 221,283, Jul. 19, 1988, Pat. No. 4,873,424.
- [52] U.S. Cl. D24/218
- [58] Field of Search D24/9; 219/521, 439; 134/901; 422/307, 300, 299, 297, 199; 206/5.1, 5

References Cited

U.S. PATENT DOCUMENTS

- D. 256,390 8/1980 Thomas et al. D24/9
- D. 276,552 11/1984 Ripingill, Jr. et al. D24/9
- 4,242,572 12/1980 Thomas et al. 422/199
- 4,307,289 12/1981 Thomas et al. 219/521
- 4,388,521 6/1983 Thomas et al. 219/521
- 4,529,868 7/1985 Bowen et al. 219/439
- 4,578,566 3/1986 Bowen 219/521



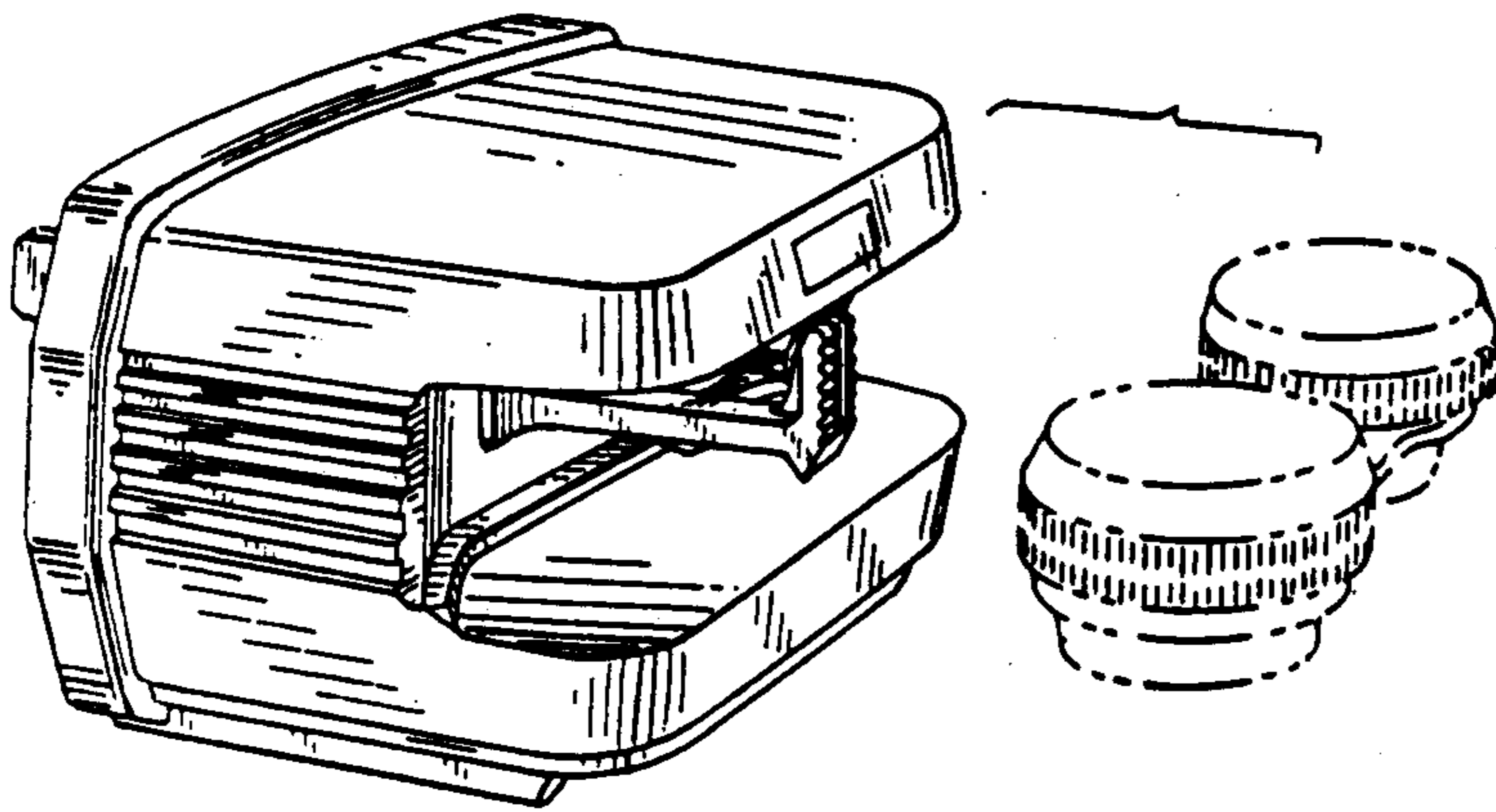


FIG. 1

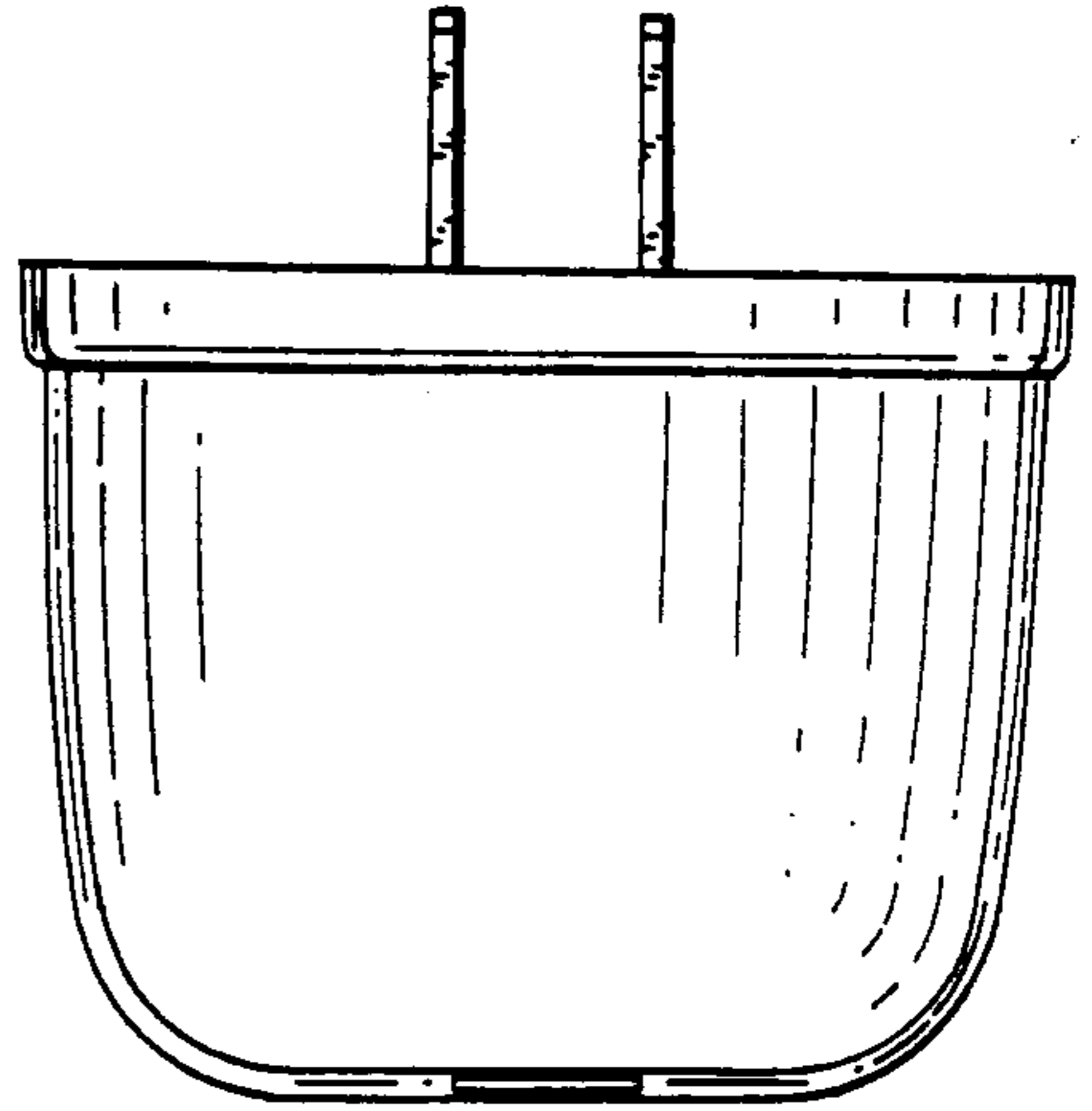


FIG. 4

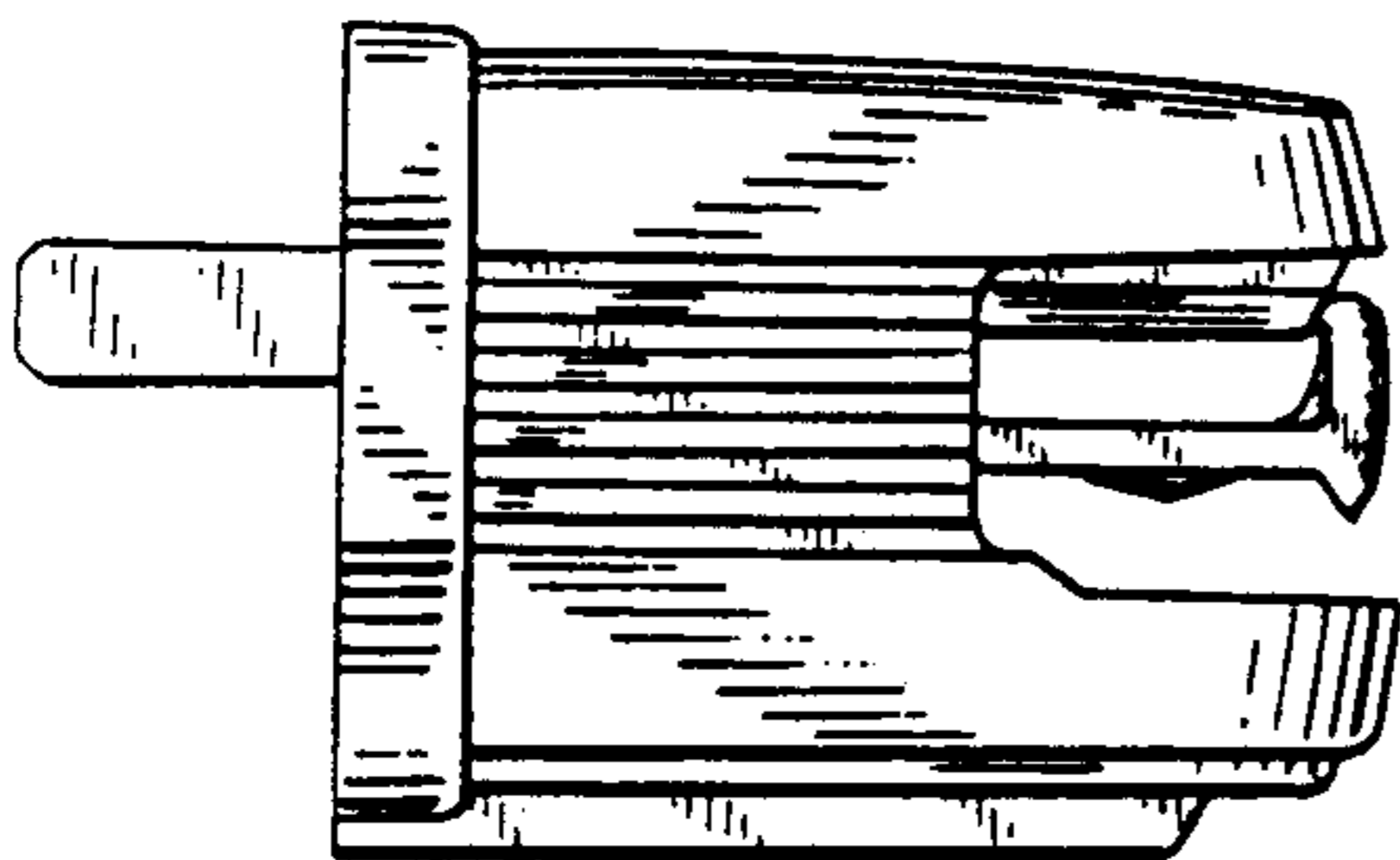


FIG. 2

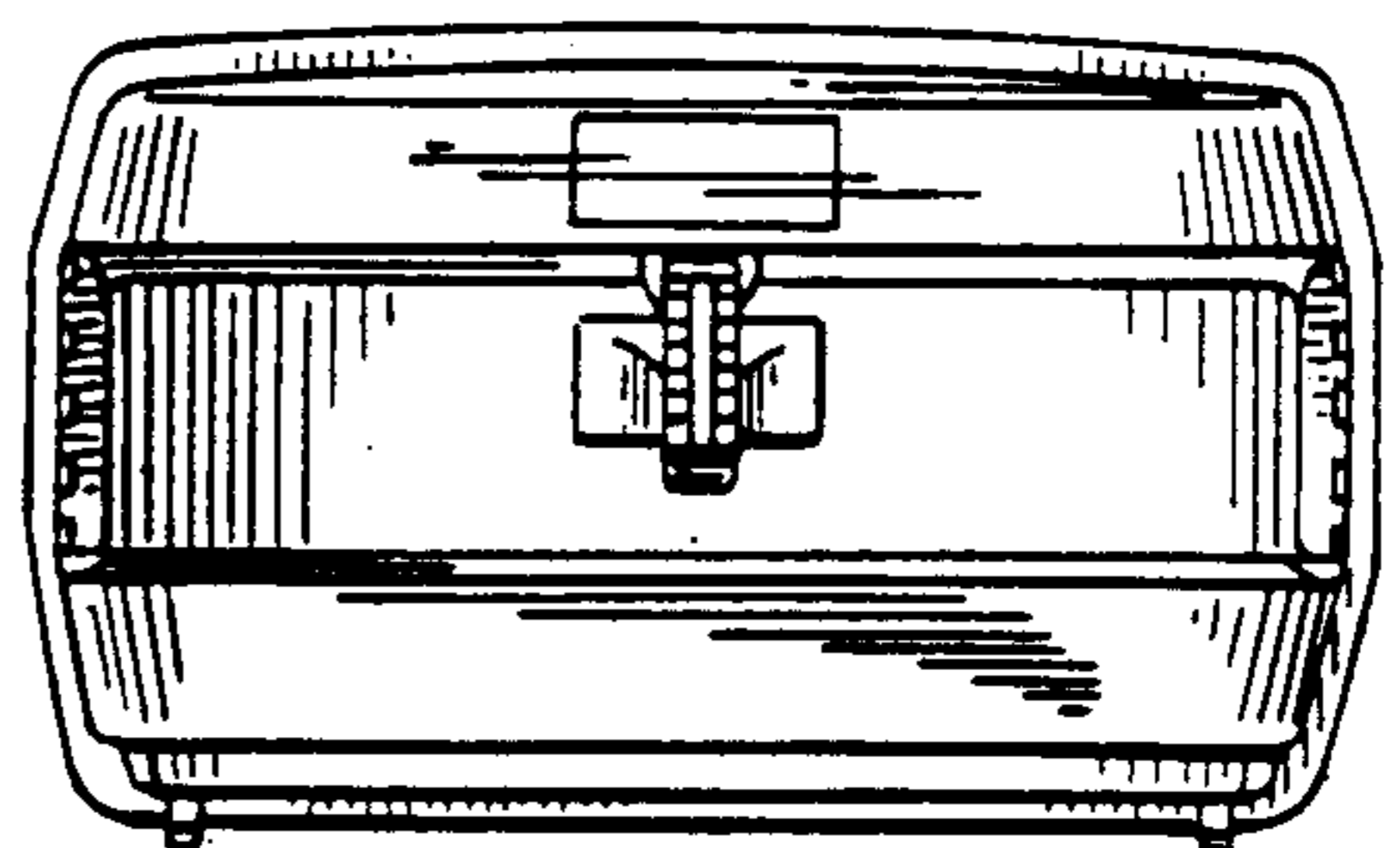


FIG. 3

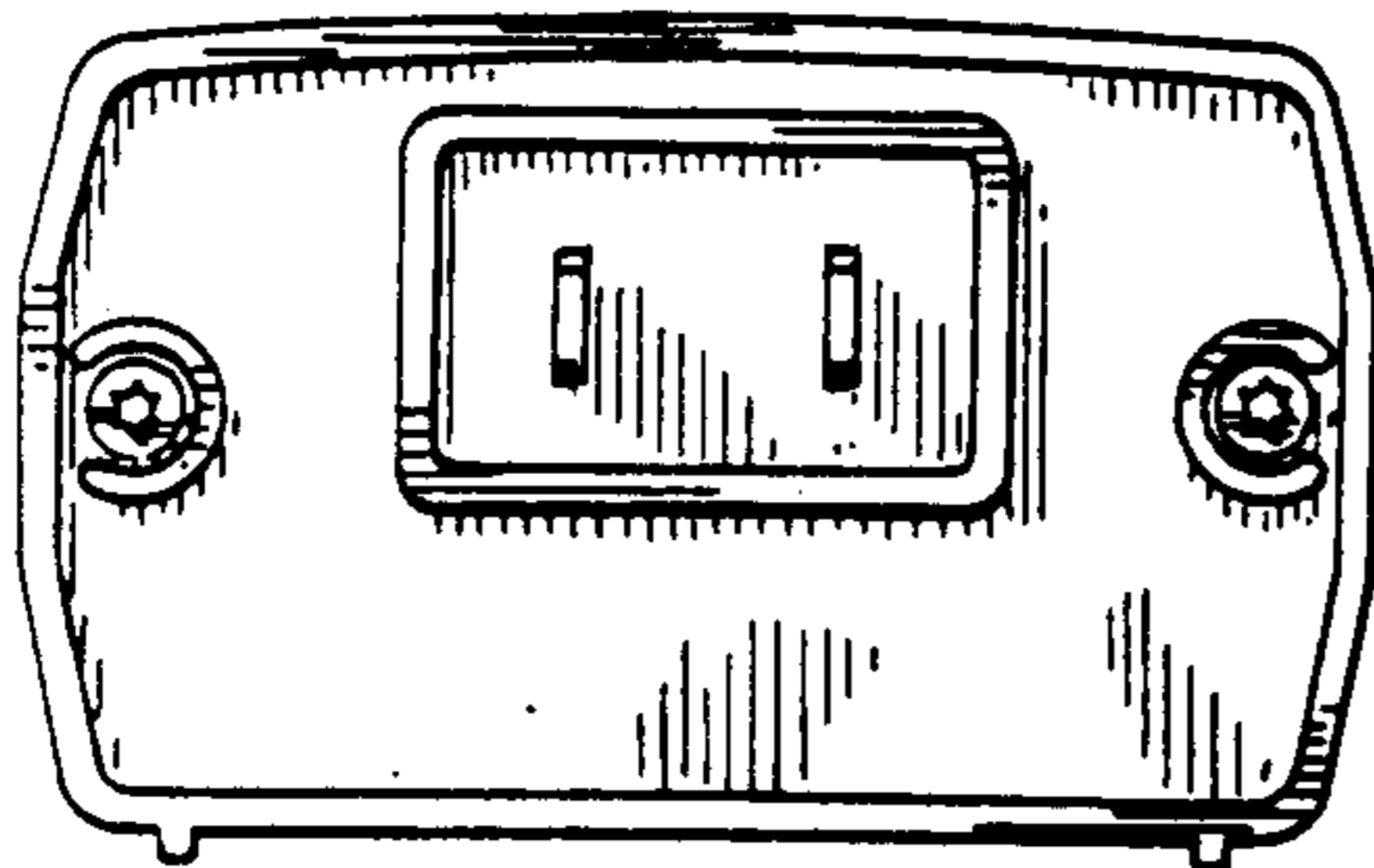


FIG. 6

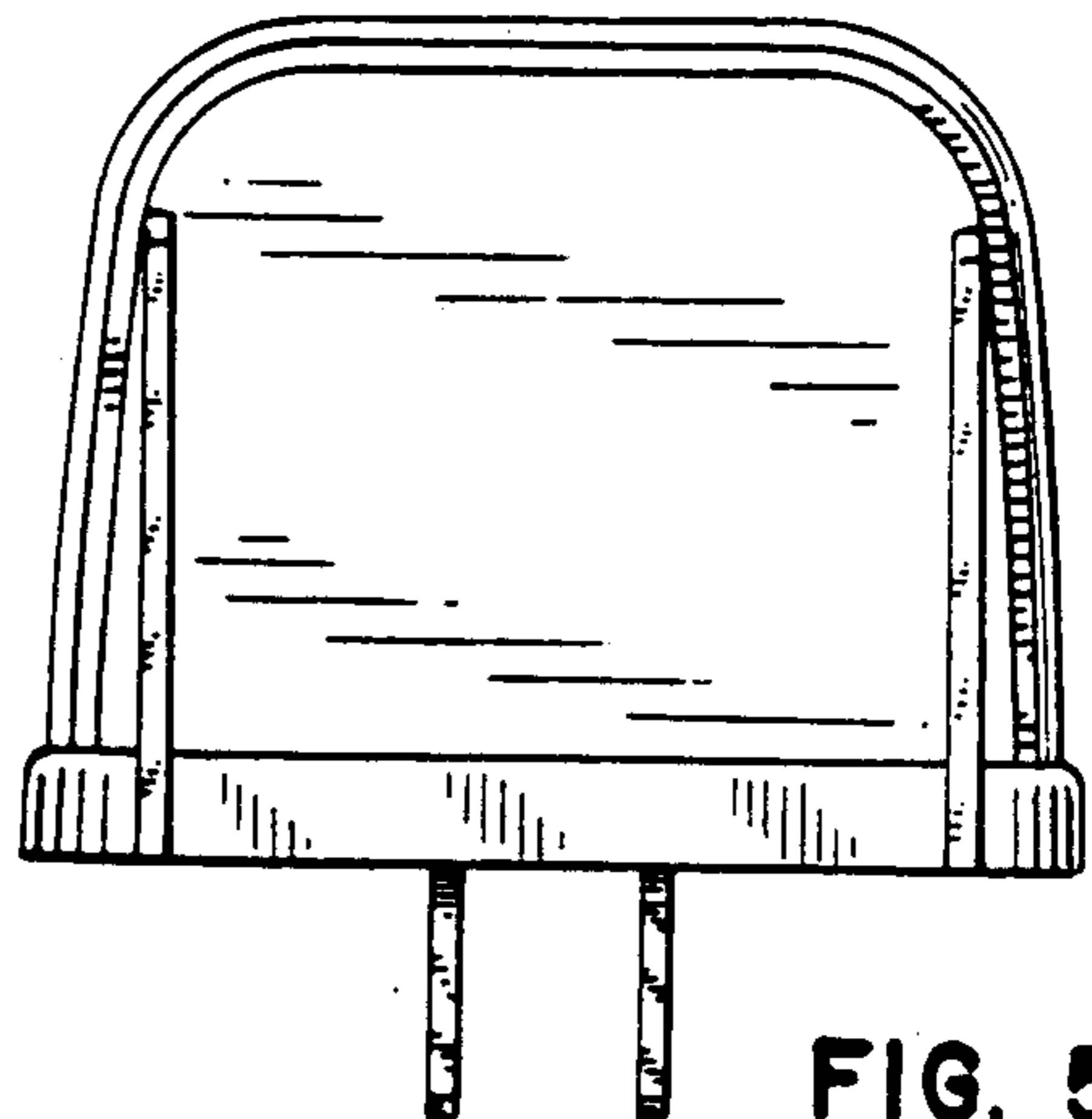


FIG. 5

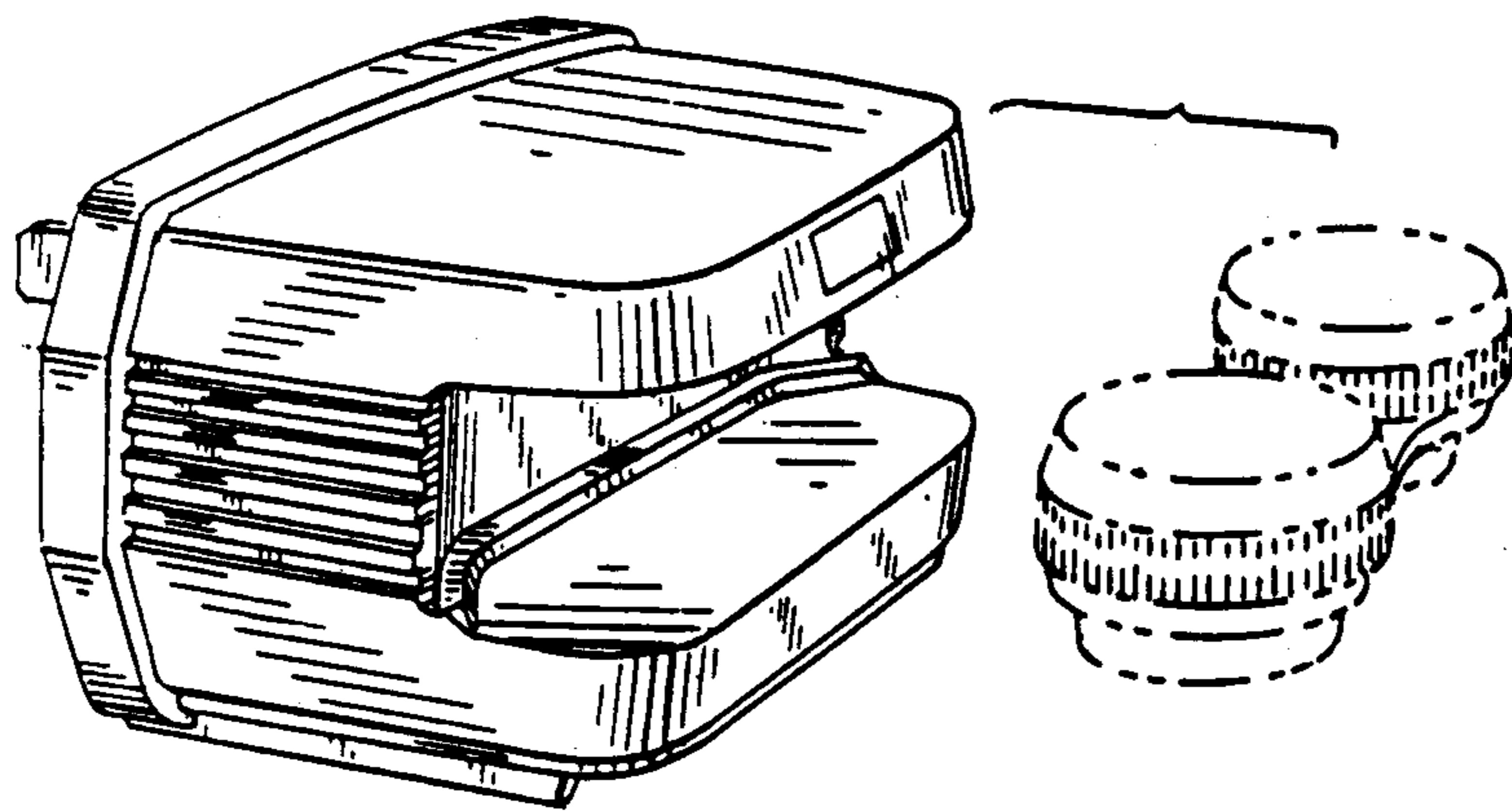


FIG. 7

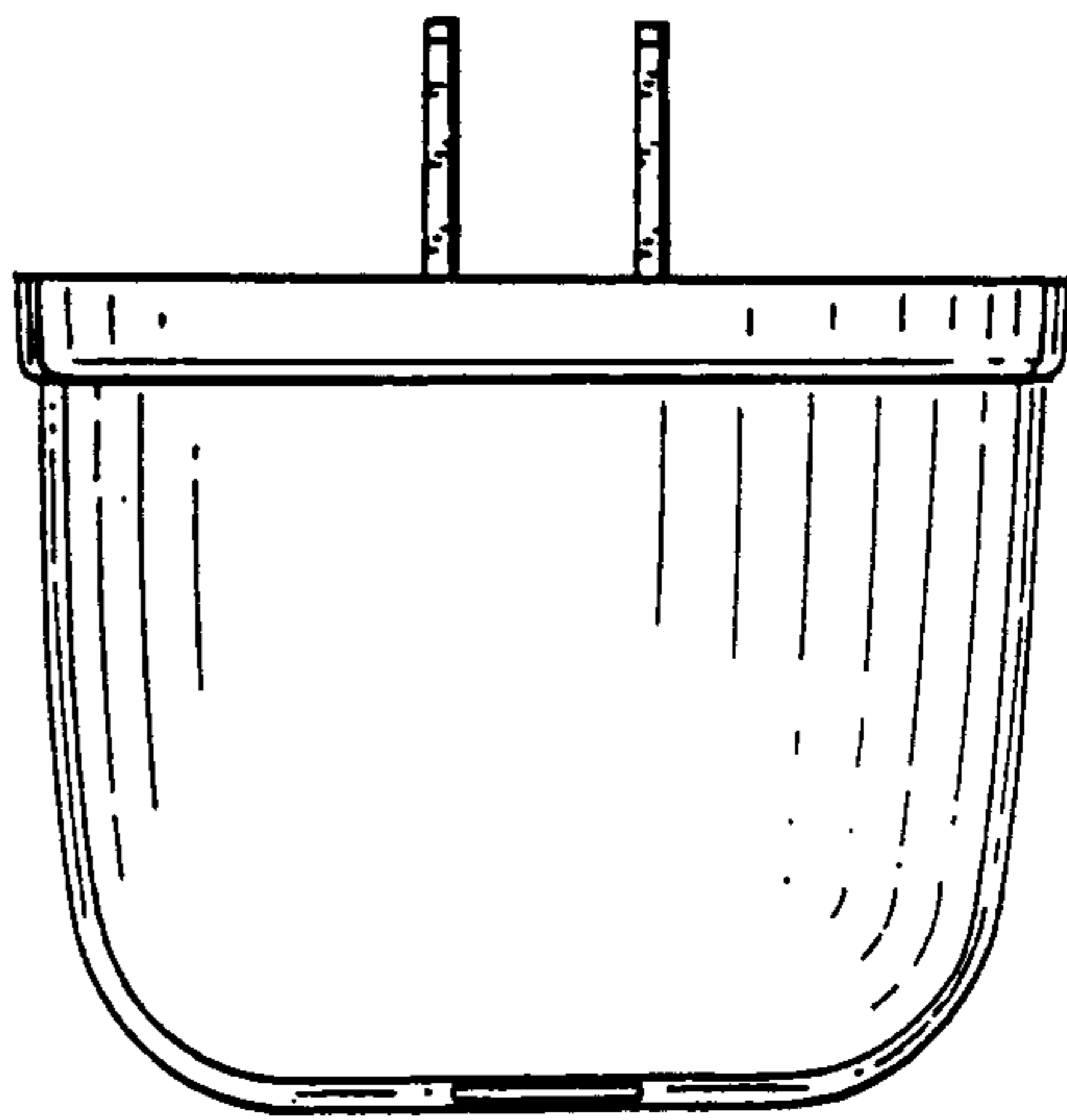


FIG. 10

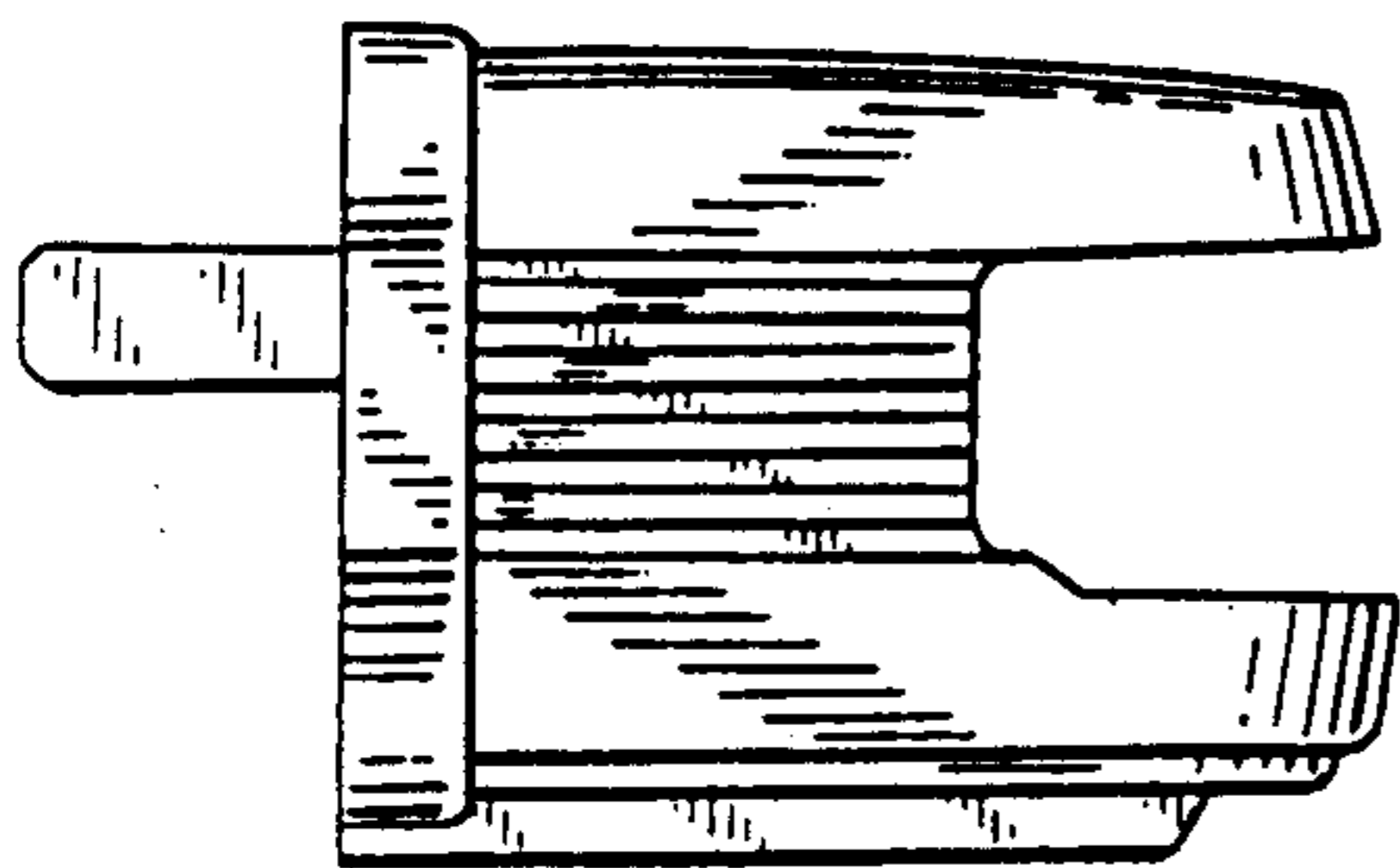


FIG. 8

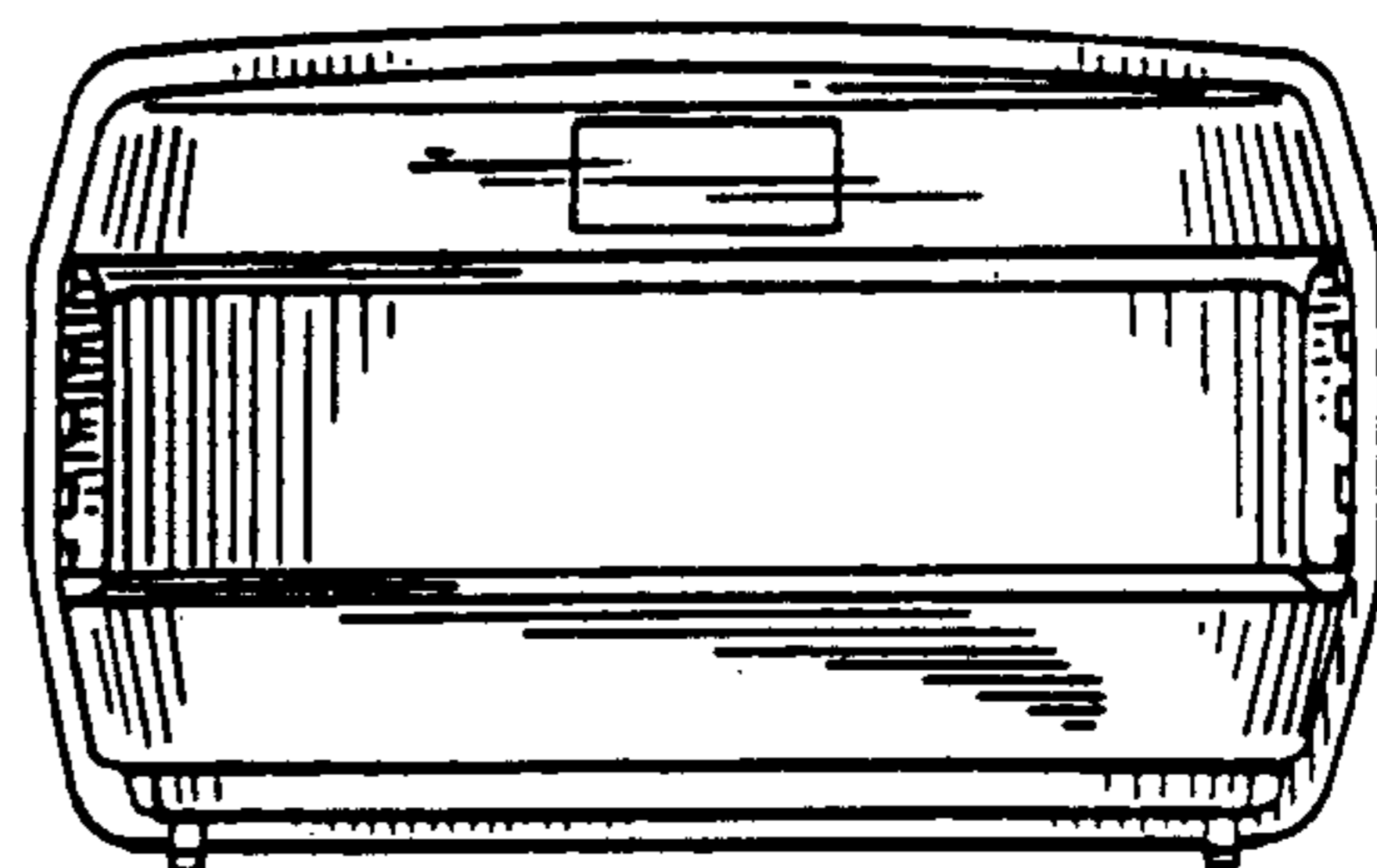


FIG. 9

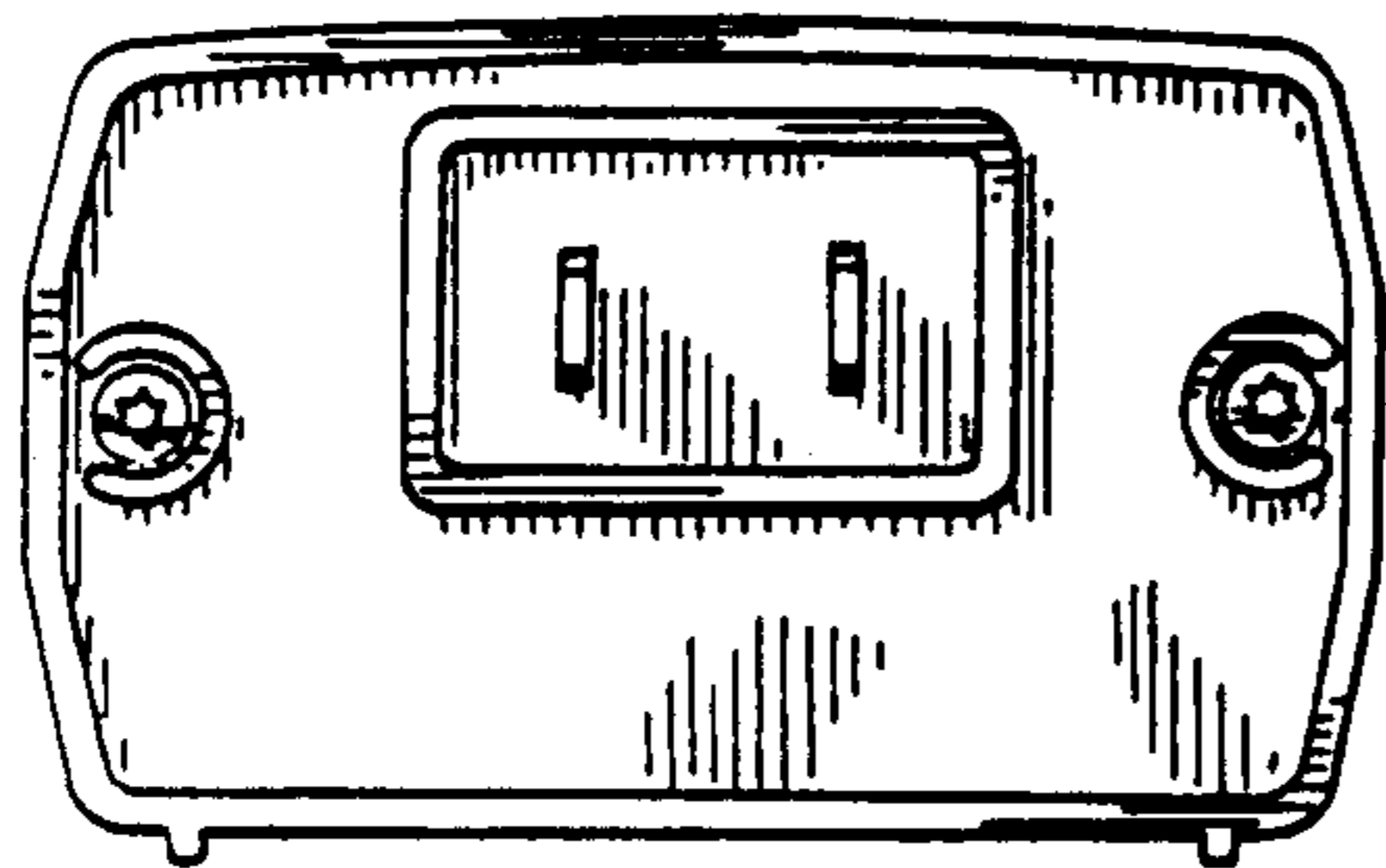


FIG. 12

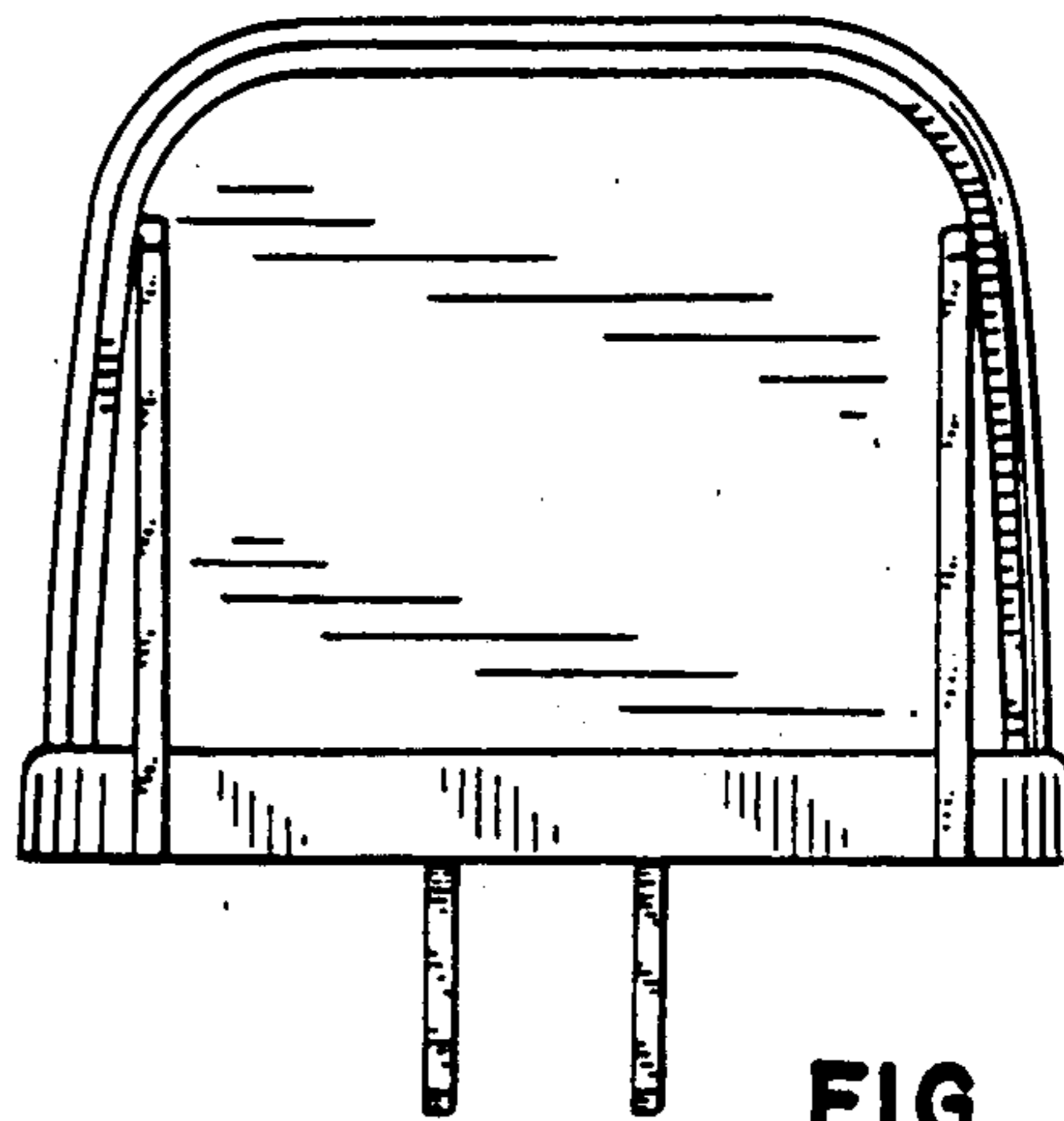


FIG. 11