

[54] IMPLANT GUN

[75] Inventors: Keith V. Ball, Burwood; Karl-Heinz Halblander, Hampton Park, both of Australia

[73] Assignee: Schering Agrochemicals Limited, Saffron Walden, Great Britain

[**] Term: 14 Years

[21] Appl. No.: 171,292

[22] Filed: Mar. 21, 1988

[30] Foreign Application Priority Data

Sep. 21, 1987 [AU] Australia 3463/87

[52] U.S. Cl. D24/113

[58] Field of Search D24/24; 604/61, 62; D15/139; D8/14.1

[56] References Cited

U.S. PATENT DOCUMENTS

- D. 189,172 11/1960 Cordis D24/24
- D. 207,894 6/1967 Eisenhand D24/24
- D. 208,610 9/1967 Parisi D24/24
- D. 263,635 3/1982 Wendt D24/24
- 797,183 8/1905 Davis .
- 1,347,622 7/1920 Deininger .
- 3,153,500 10/1964 Pachmayr et al. .
- 3,428,169 2/1969 Hilti .
- 3,693,220 9/1972 Pabich .
- 3,774,607 11/1973 Schmitz 604/62
- 3,812,961 5/1974 Merrick et al. .
- 4,077,406 3/1978 Sandhage et al. .

- 4,106,618 8/1978 Haytayan .
- 4,154,239 5/1979 Turley .
- 4,447,223 5/1984 Kaye et al. .
- 4,451,254 5/1984 Dinius et al. .
- 4,474,572 10/1984 McNaughton et al. .
- 4,531,938 7/1985 Kaye et al. .
- 4,560,061 12/1985 Haytayan .
- 4,574,954 3/1986 Reid .
- 4,576,591 3/1986 Kaye et al. .
- 4,720,374 1/1988 Ramachandran .
- 4,762,515 8/1988 Grimm .
- 4,976,686 3/1988 Ball .

FOREIGN PATENT DOCUMENTS

- 0090899 12/1983 European Pat. Off. .
- 840276 7/1960 United Kingdom .
- 1583816 2/1981 United Kingdom .

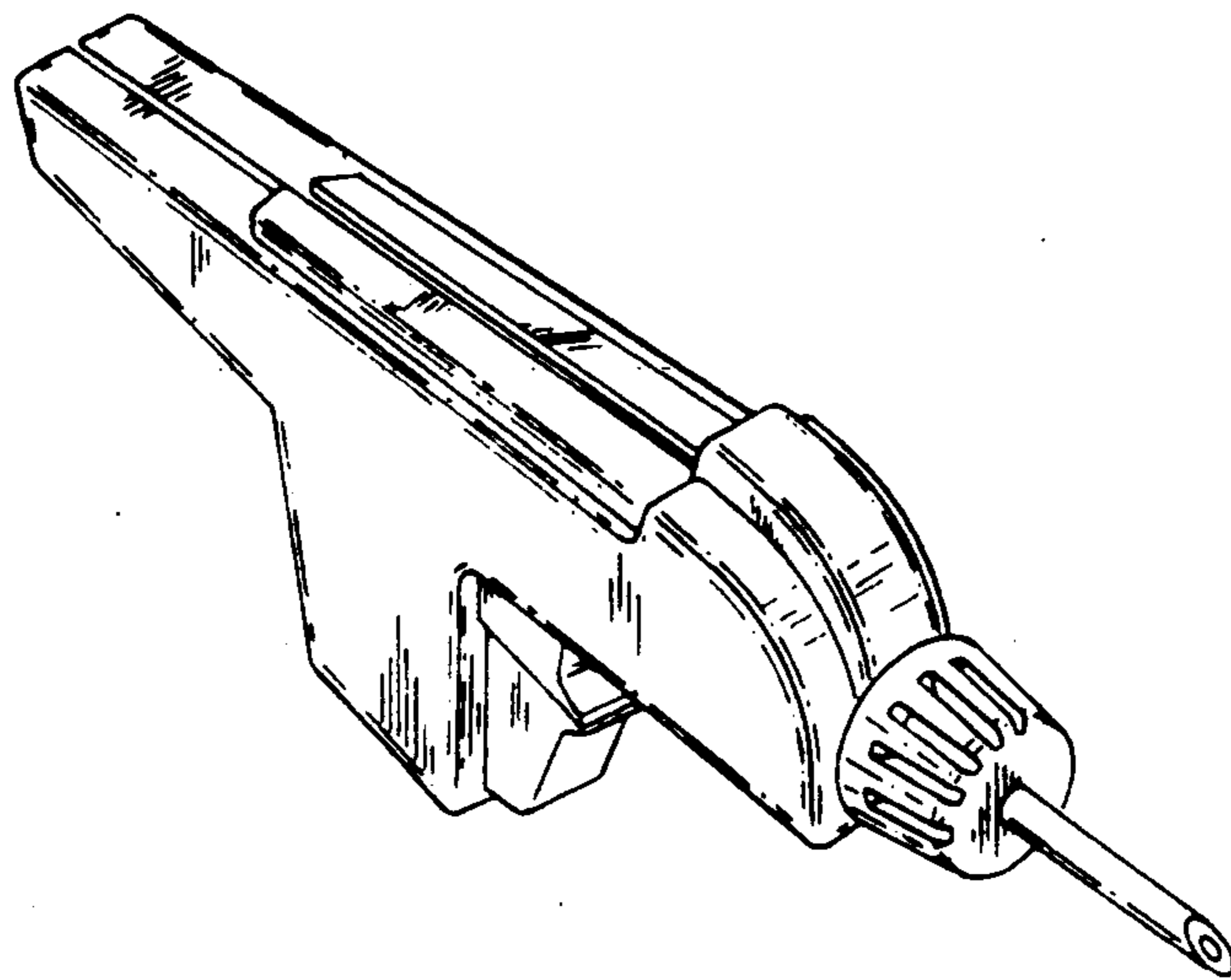
Primary Examiner—Stella Reid
Attorney, Agent, or Firm—Merchant & Gould

[57] CLAIM

The ornamental design for an implant gun, as shown and described.

DESCRIPTION

FIG. 1 is a perspective view of an implant gun, showing our new design;
FIG. 2 is a side elevational view thereof, the opposite side being identical thereto;
FIG. 3 is a top plan view thereof;
FIG. 4 is a bottom plan view thereof;
FIG. 5 is a front end elevational view thereof; and
FIG. 6 is a rear end elevational view thereof.



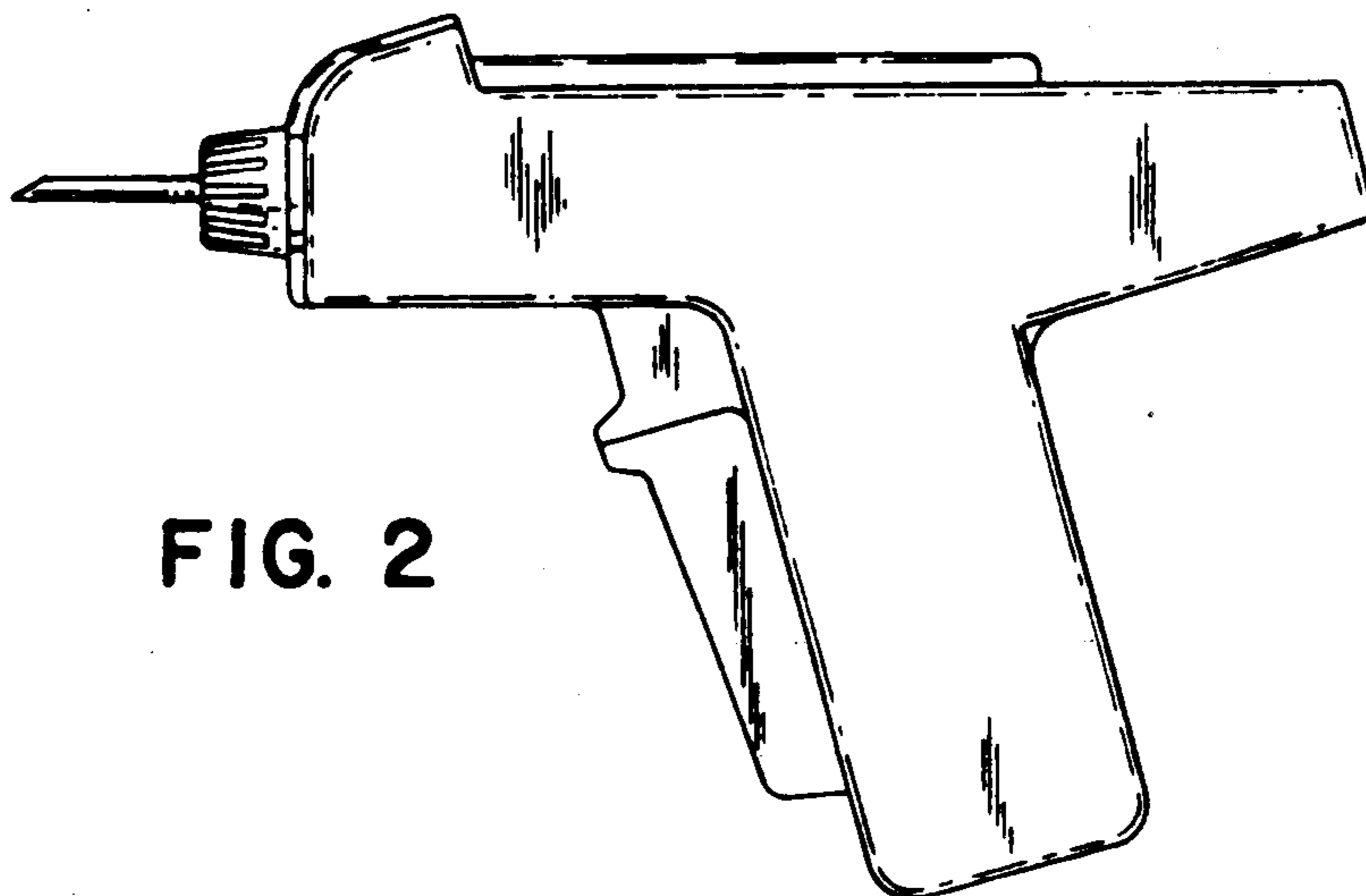


FIG. 2

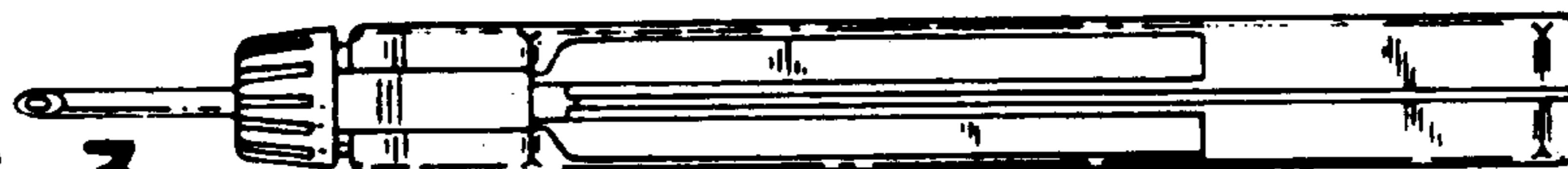


FIG. 3



FIG. 4



FIG. 5



FIG. 6

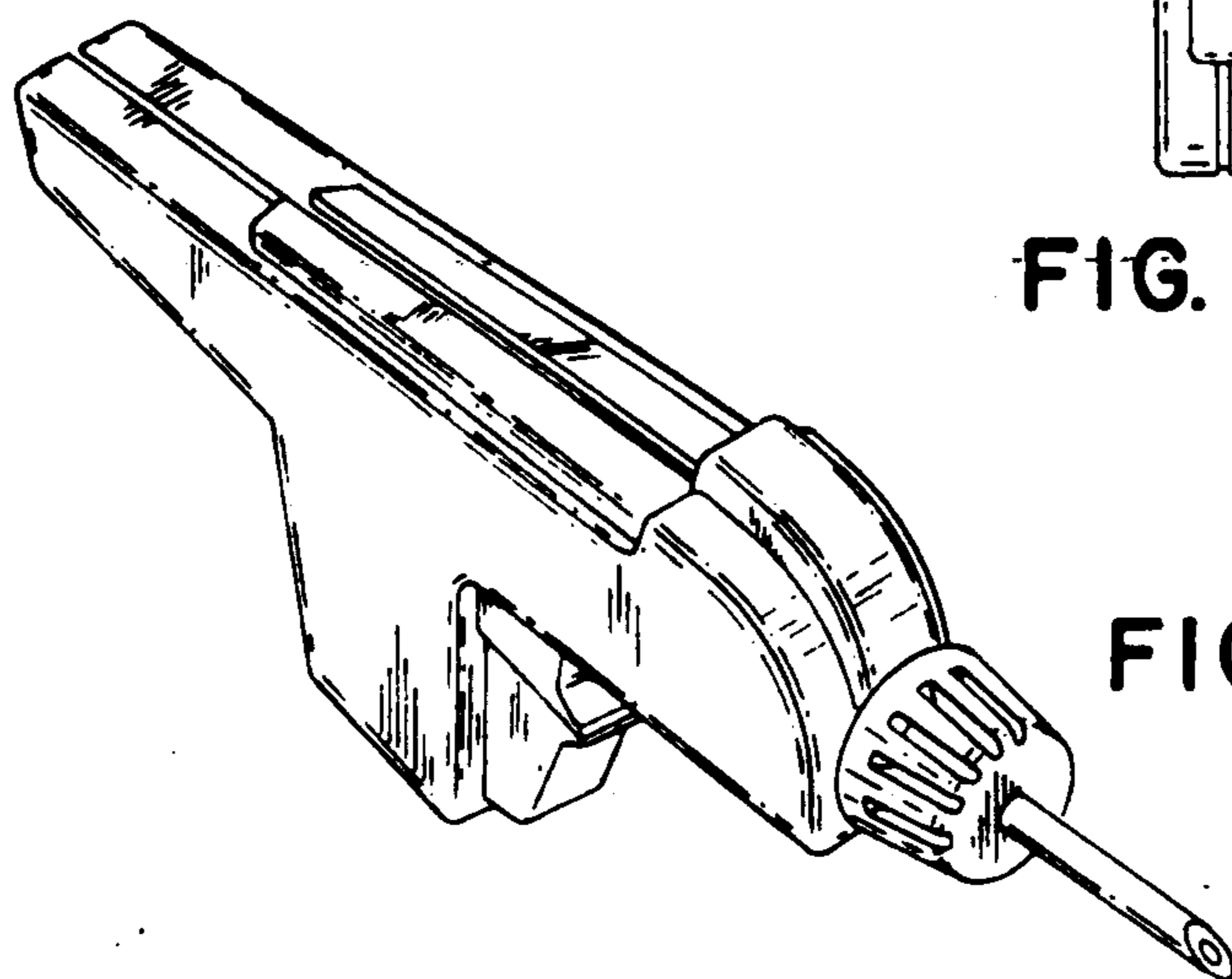


FIG. 1