

[54] LAVATORY

[75] Inventor: Scott Lenahan, Castaic, Calif.

[73] Assignee: Gruber Systems, Inc., Valencia, Calif.

[**] Term: 14 Years

[21] Appl. No.: 463,980

[22] Filed: Jan. 12, 1990

[52] U.S. Cl. D23/294

[58] Field of Search D23/270-274,
D23/284-294, 308; 4/619, 625, 630-659

[56] References Cited

U.S. PATENT DOCUMENTS

| | | | | |
|------------|---------|-----------------|-------|---------|
| D. 177,587 | 5/1956 | Ponti | | D23/294 |
| D. 191,432 | 10/1961 | Chapman | | D23/294 |
| D. 191,860 | 12/1961 | Holberson | | D23/294 |
| D. 202,410 | 9/1965 | Sundberg et al. | | D23/294 |
| D. 211,524 | 6/1968 | Planthalt | | D23/294 |
| D. 217,967 | 7/1970 | Korol | | D23/284 |
| D. 217,968 | 7/1970 | Armstrong | | D23/293 |
| D. 218,520 | 8/1970 | Audino et al. | | D23/294 |
| D. 222,586 | 11/1971 | Hives | | D23/294 |
| D. 232,638 | 9/1974 | Mather | | D23/284 |
| D. 235,344 | 6/1976 | Korol | | D23/294 |

| | | | | |
|------------|---------|-----------|-------|-----------|
| D. 240,825 | 8/1976 | Gruber | | D23/294 |
| D. 260,678 | 9/1981 | Hiller | | D23/294 X |
| D. 262,785 | 12/1981 | Wissinger | | D23/284 X |
| D. 315,402 | 3/1991 | Lenahan | | D23/294 |

OTHER PUBLICATIONS

Ingersoll-Humphryes Div. of Borg-Warner Corp. brochure, p. 2, bottom 2 rows of Sinks.

Primary Examiner—James R. Largen

Attorney, Agent, or Firm—Poms, Smith, Lande & Rose

[57] CLAIM

The ornamental design for a lavatory, as shown and described.

DESCRIPTION

FIG. 1 is a right side elevational view of a lavatory showing my new design, the left side being a mirror image of the right side;

FIG. 2 is a top plan view thereof;

FIG. 3 is a front elevational view thereof;

FIG. 4 is a rear elevational view thereof;

FIG. 5 is a bottom plan view thereof; and

FIG. 6 is a cross sectional view taken on line VI—VI of FIG. 3.

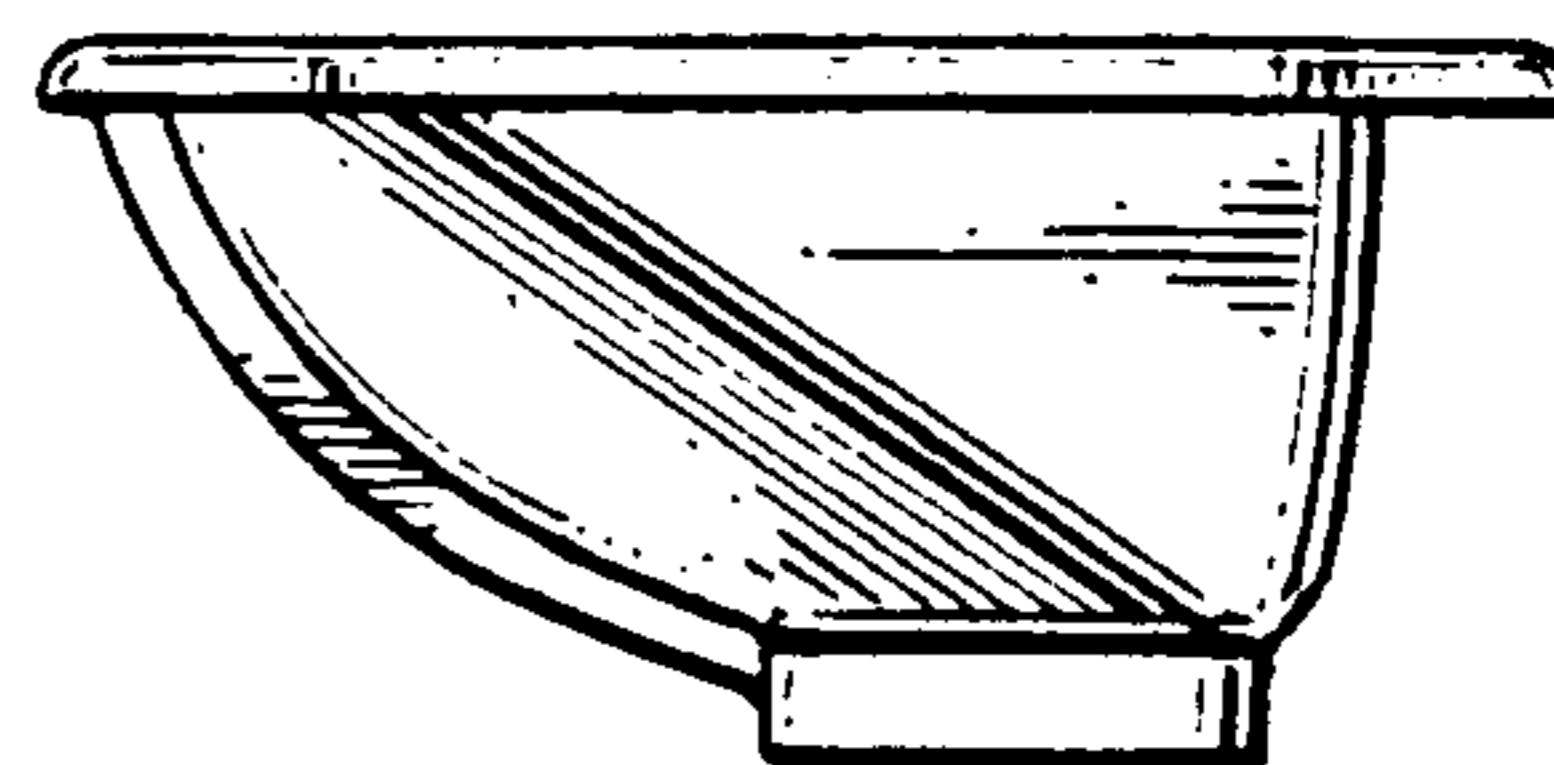
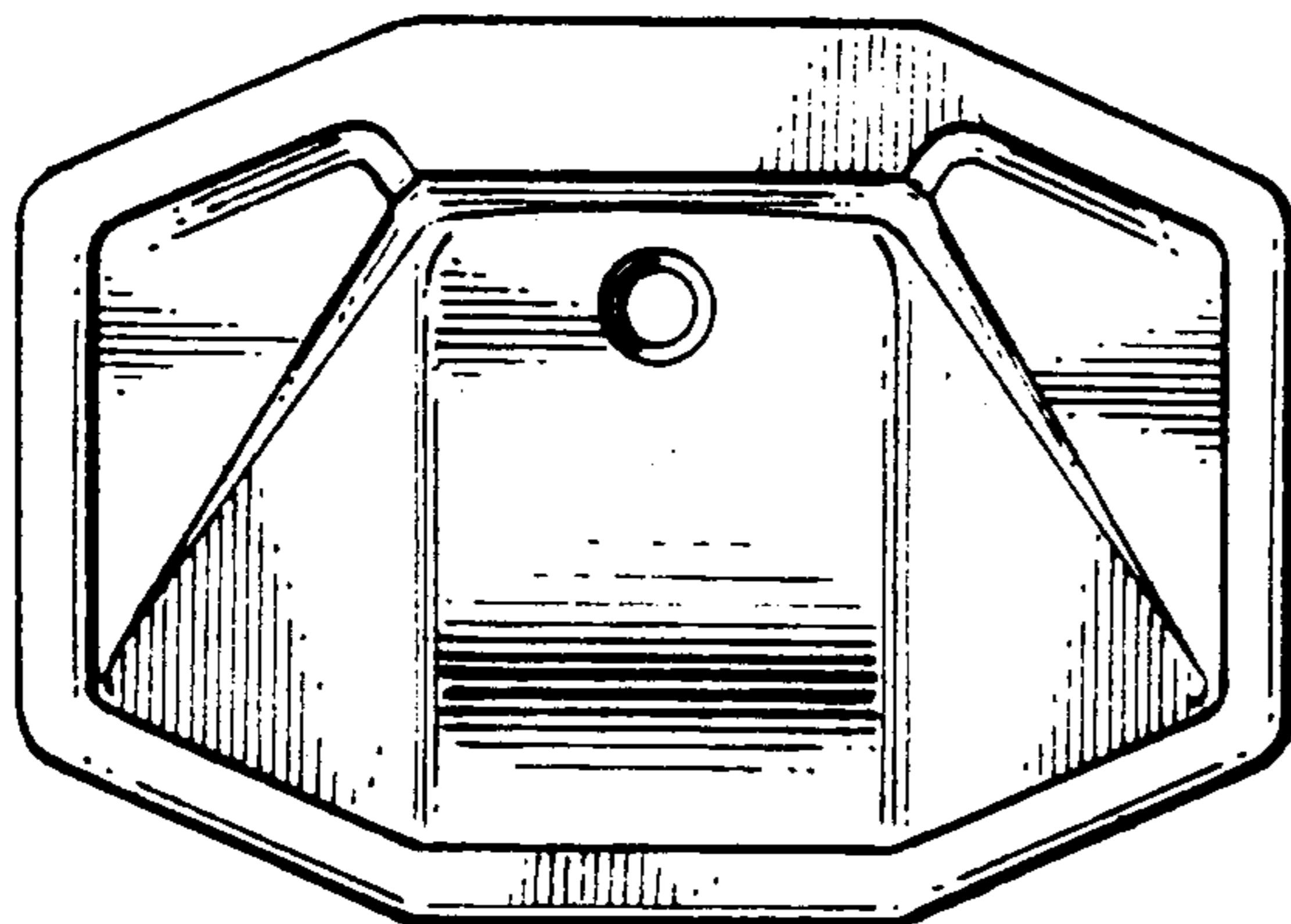


Fig. 2.

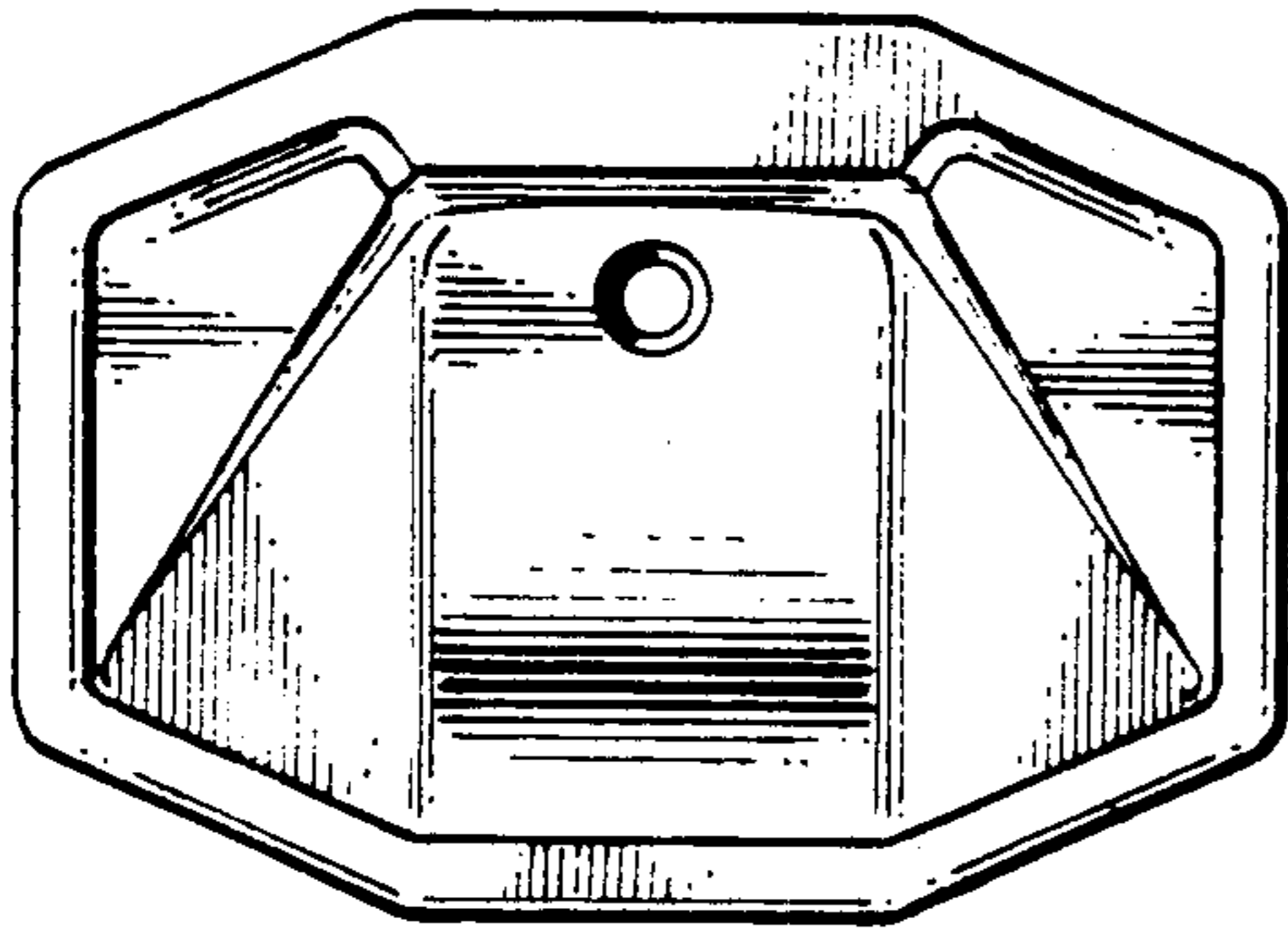


Fig. 1.

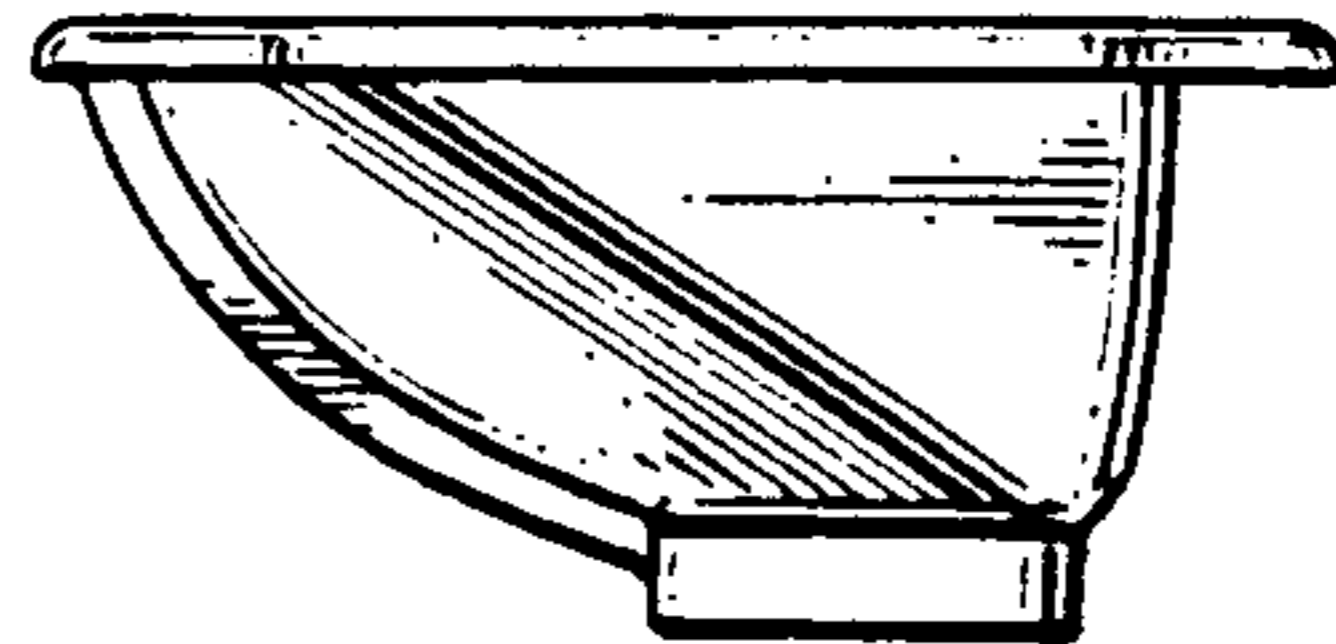


Fig. 3.

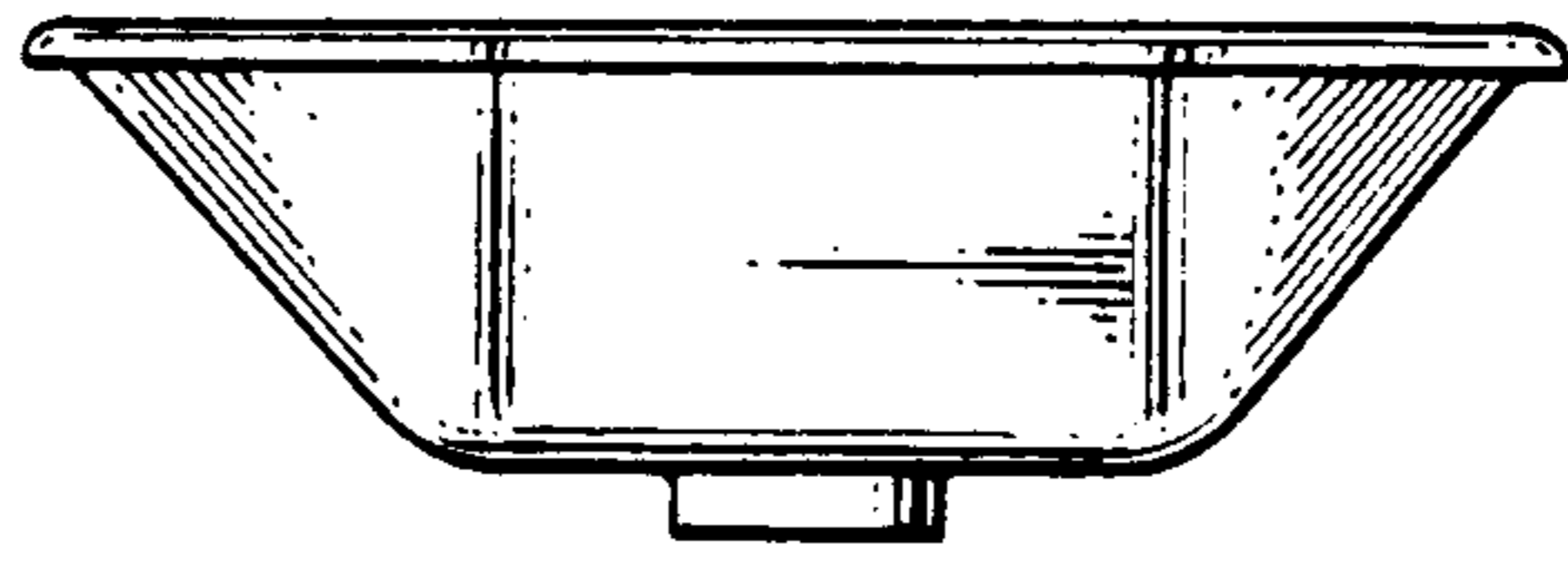
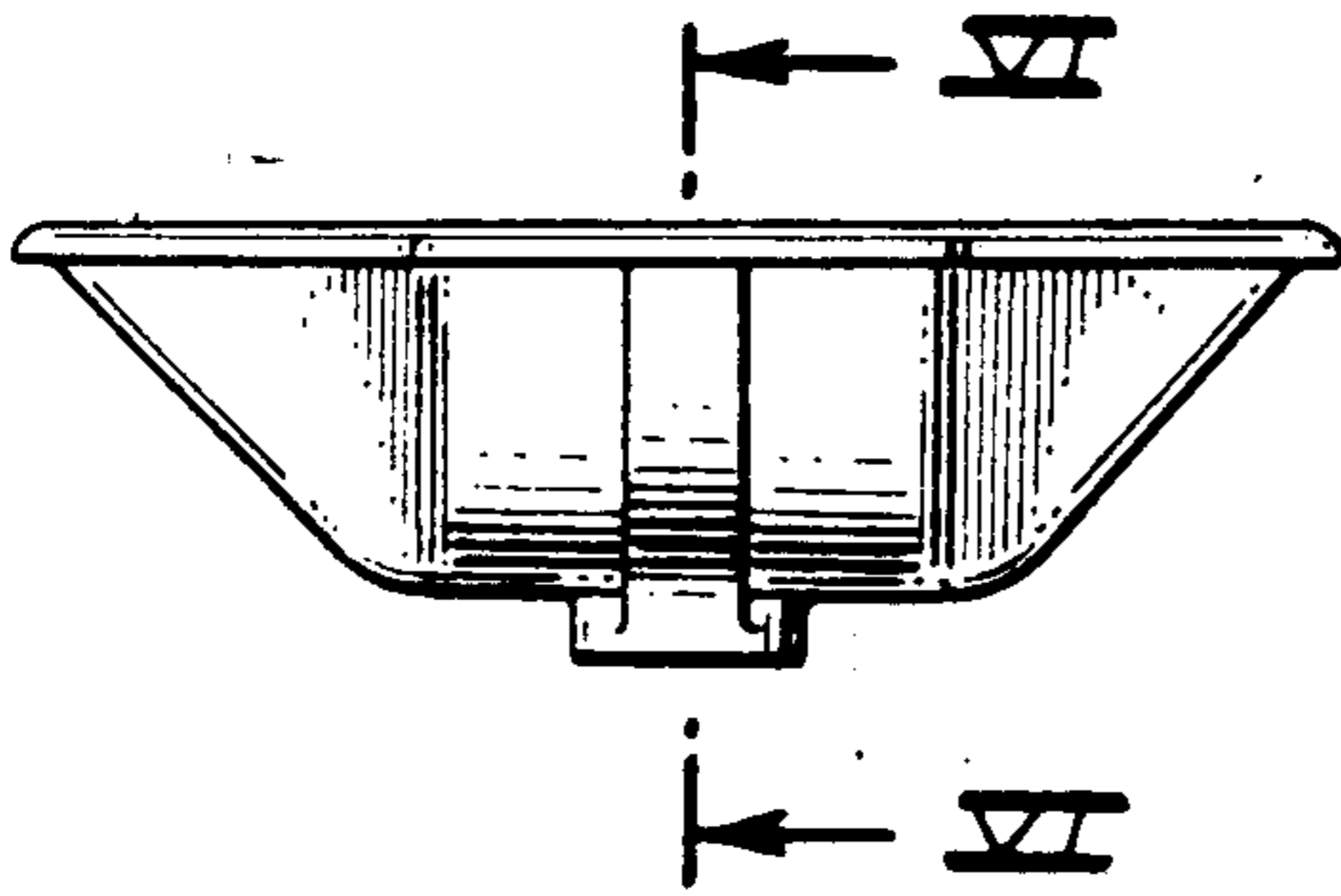


Fig. 4.

Fig. 5.

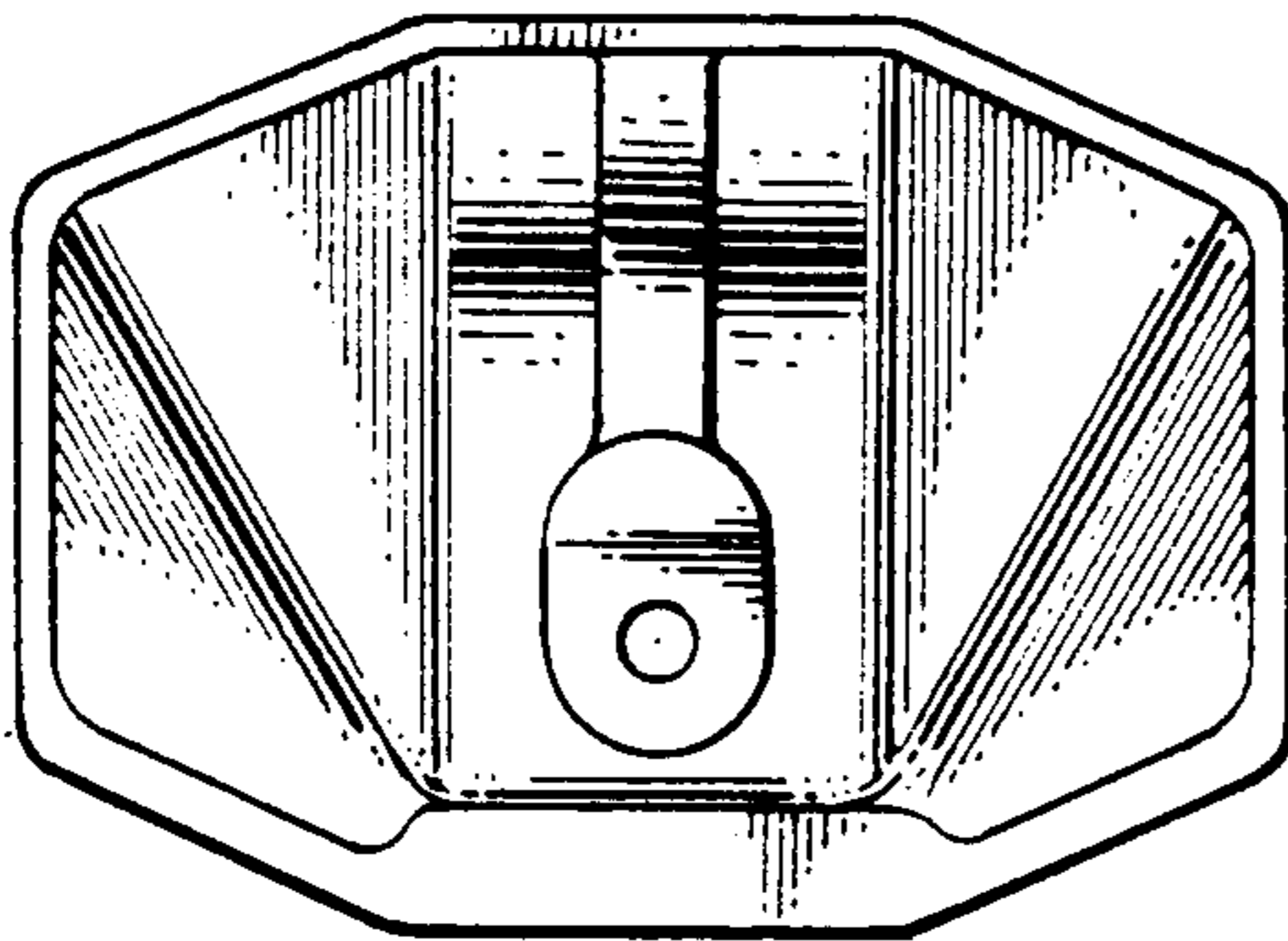


Fig. 6.

