

[54] **COUPLING FOR BUNG ADAPTER**

[75] **Inventor: Brook J. Beaston, Wichita, Kans.**

[73] **Assignee: Great Plains Industries, Inc.,  
Wichita, Kans.**

[\*] **Notice: The portion of the term of this patent  
subsequent to Jul. 23, 2005 has been  
disclaimed.**

[\*\*] **Term: 14 Years**

[21] **Appl. No.: 229,098**

[22] **Filed: Aug. 4, 1988**

[52] **U.S. Cl. .... D23/262**

[58] **Field of Search .... D23/260-261;  
D34/39; D9/434; 251/149.5; 220/228;  
222/399-400.7; 137/590, 212, 588**

[56] **References Cited**

**U.S. PATENT DOCUMENTS**

D. 274,548	7/1984	Shaw	.....	D23/260
3,439,844	4/1969	Johnston	.....	222/400.7
3,550,818	12/1970	Johnston	.....	222/400.7
3,822,716	7/1974	Martin et al.	.....	222/400.7

*Primary Examiner*—James R. Largen  
*Attorney, Agent, or Firm*—Bill D. McCarthy

[57] **CLAIM**

The ornamental design for a coupling for bung adapter,  
as shown and described.

**DESCRIPTION**

FIG. 1 is a top plan view of a coupling for bung adapter  
showing my new design;

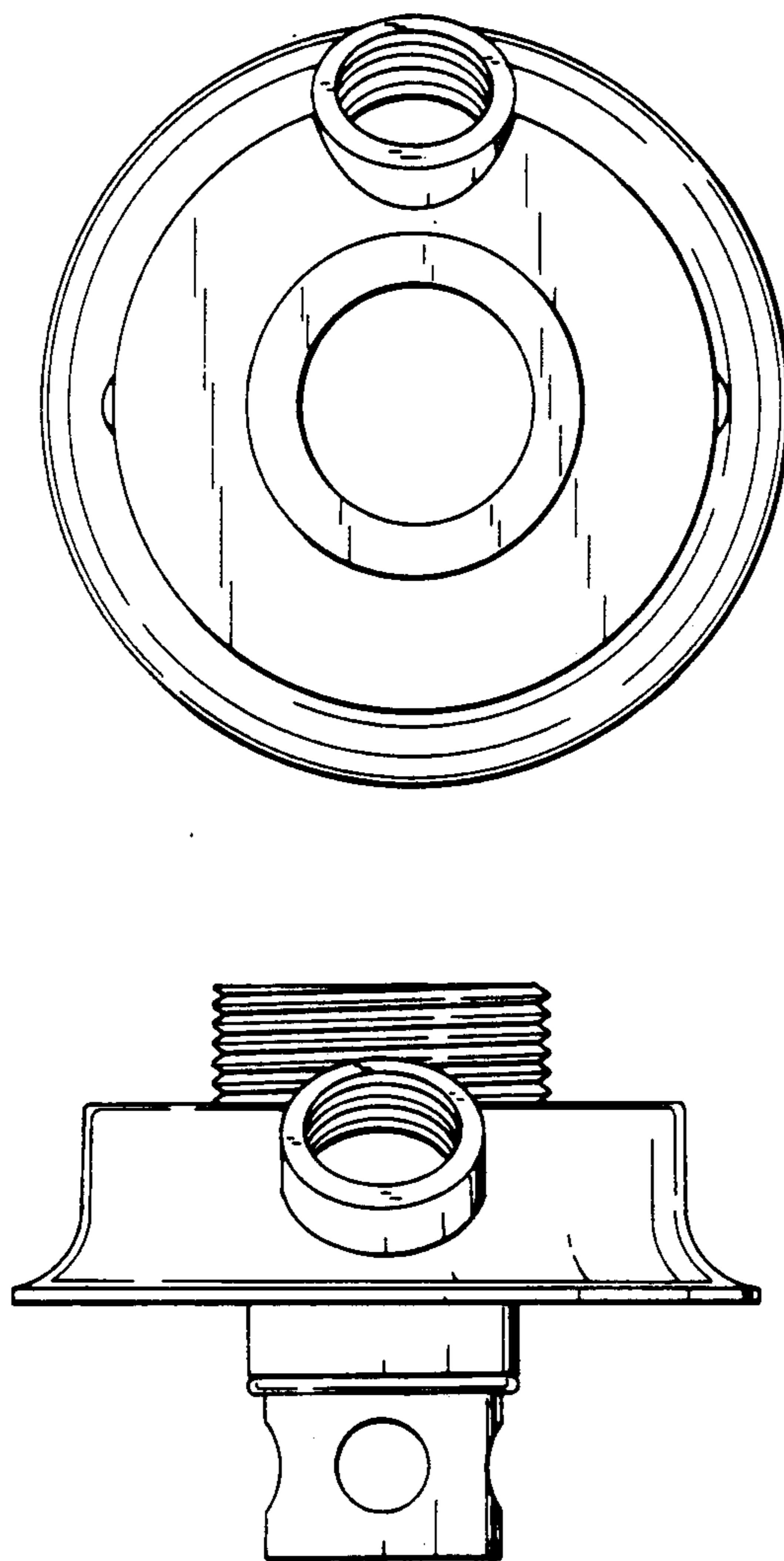
FIG. 2 is a bottom plan view thereof;

FIG. 3 is a front elevational view thereof;

FIG. 4 is a rear elevational view thereof;

FIG. 5 is a right side elevational view thereof; and

FIG. 6 is a left side elevational view thereof.



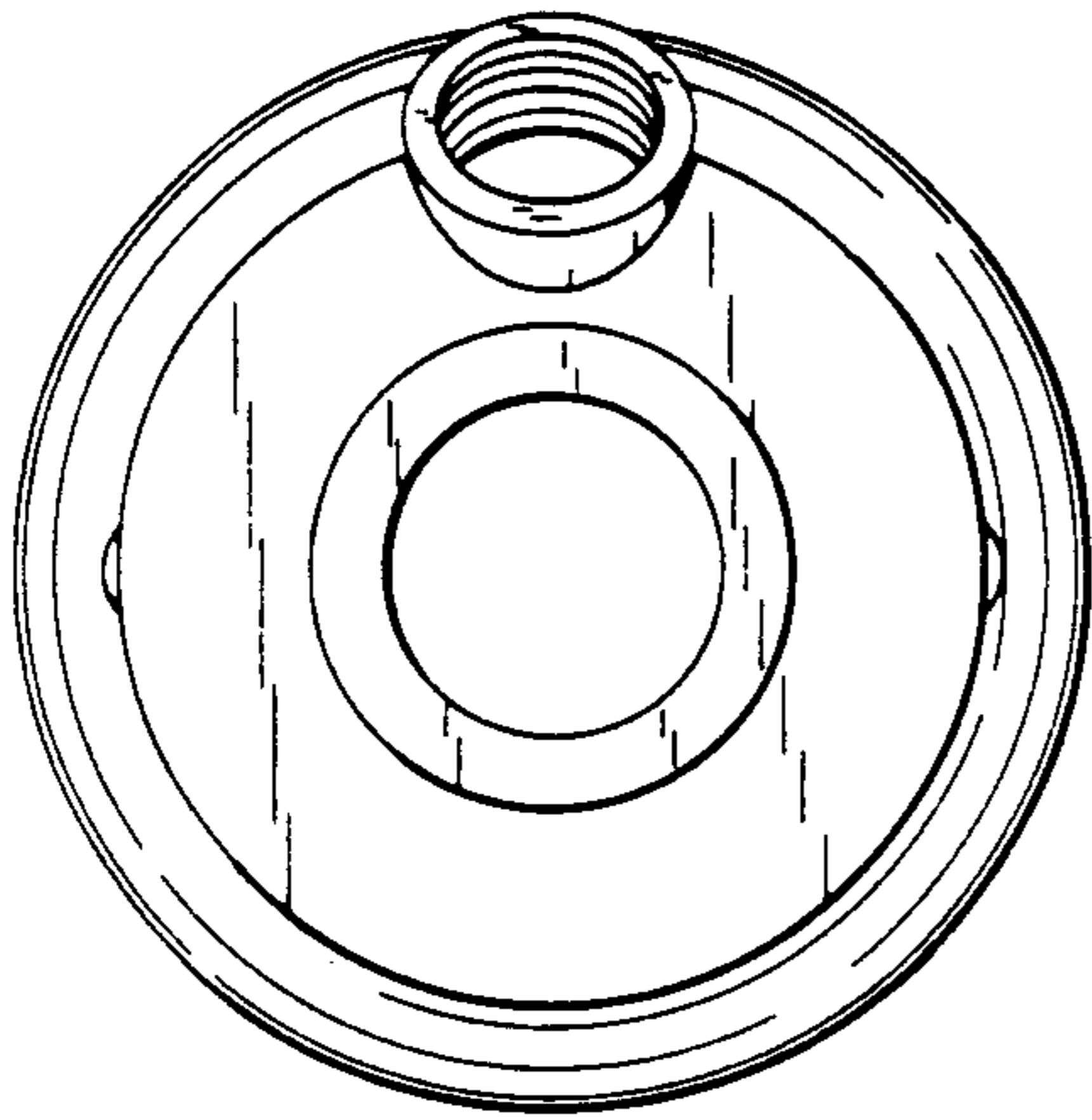


FIG. 1

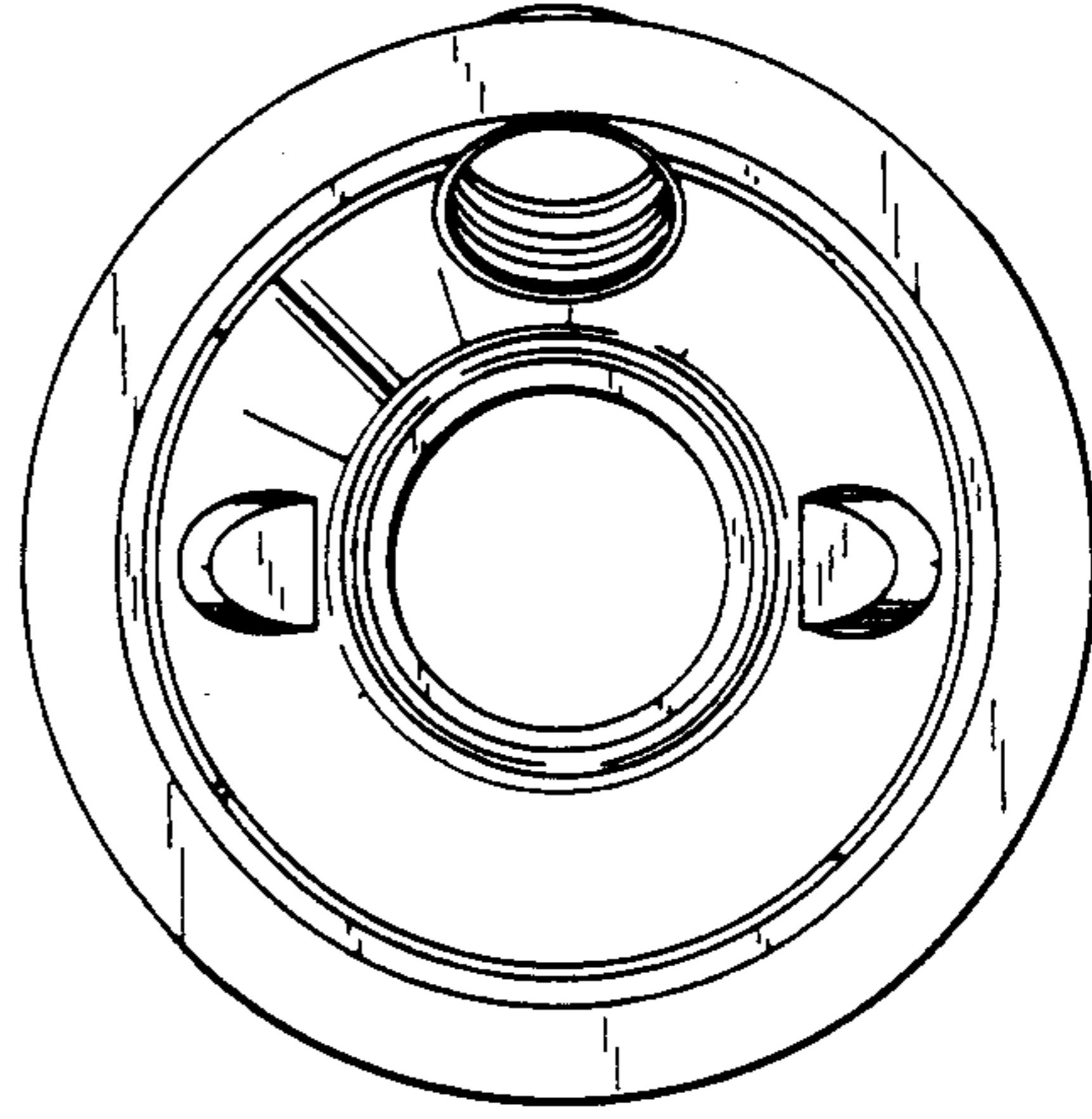


FIG. 2

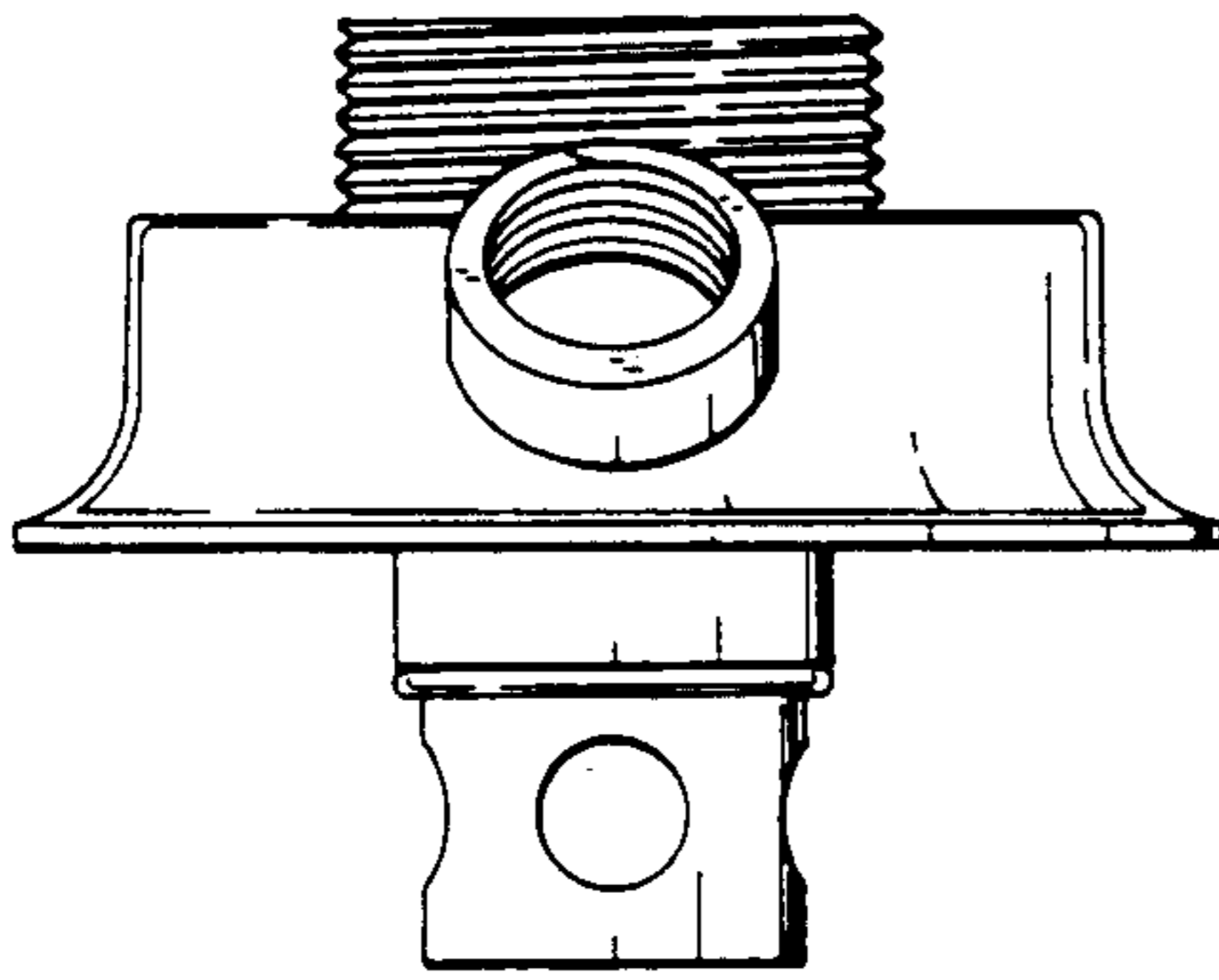


FIG. 3

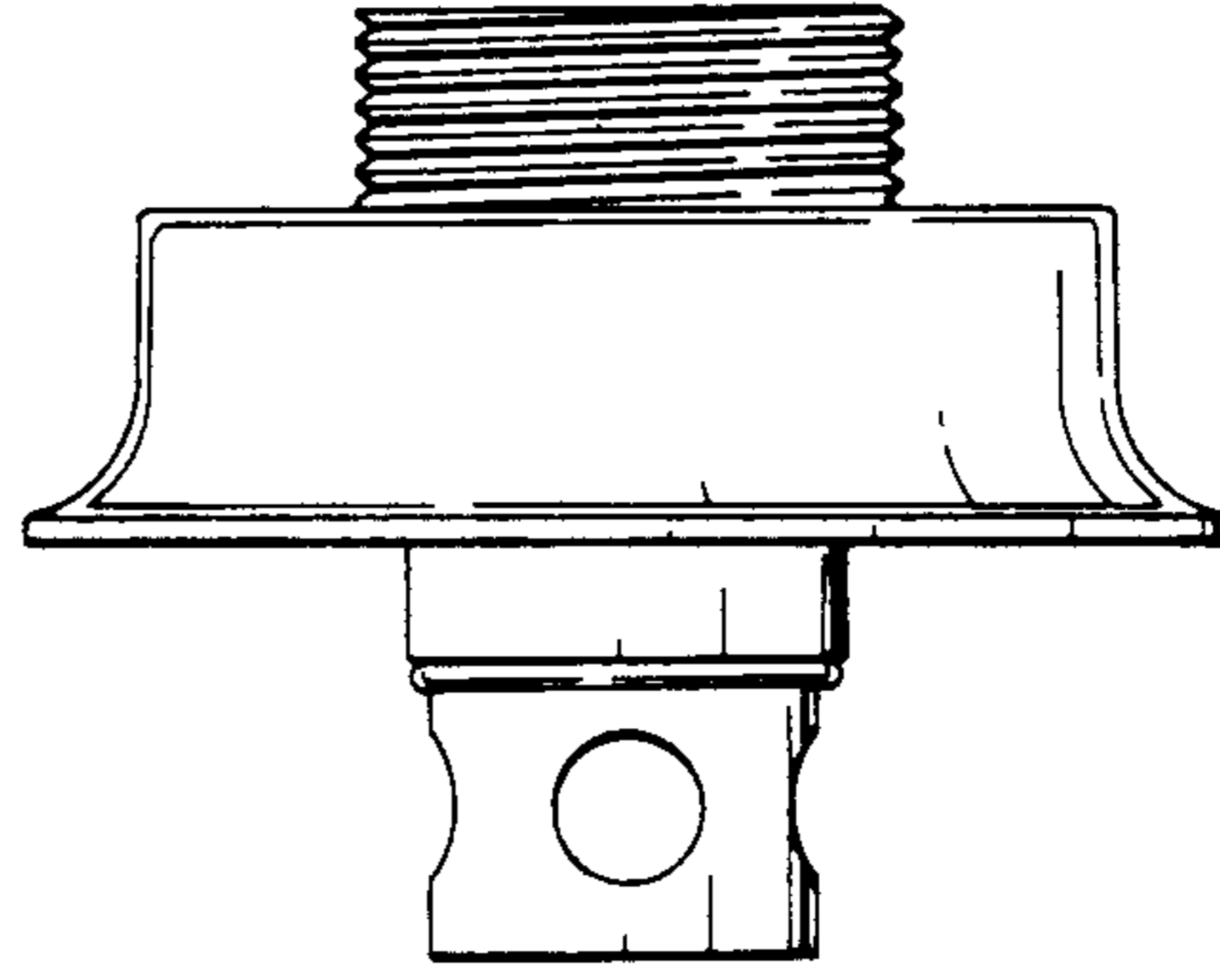


FIG. 4

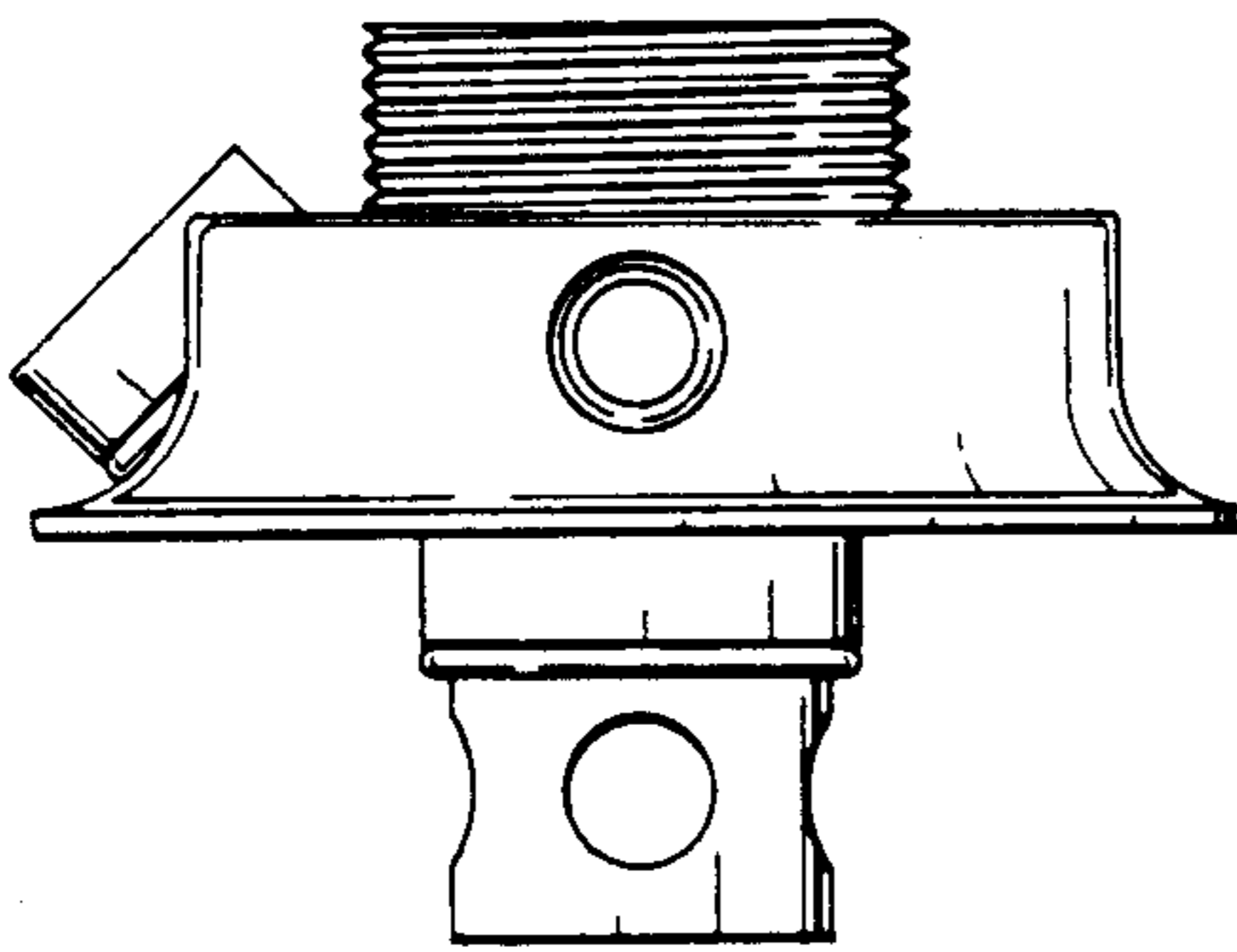


FIG. 5

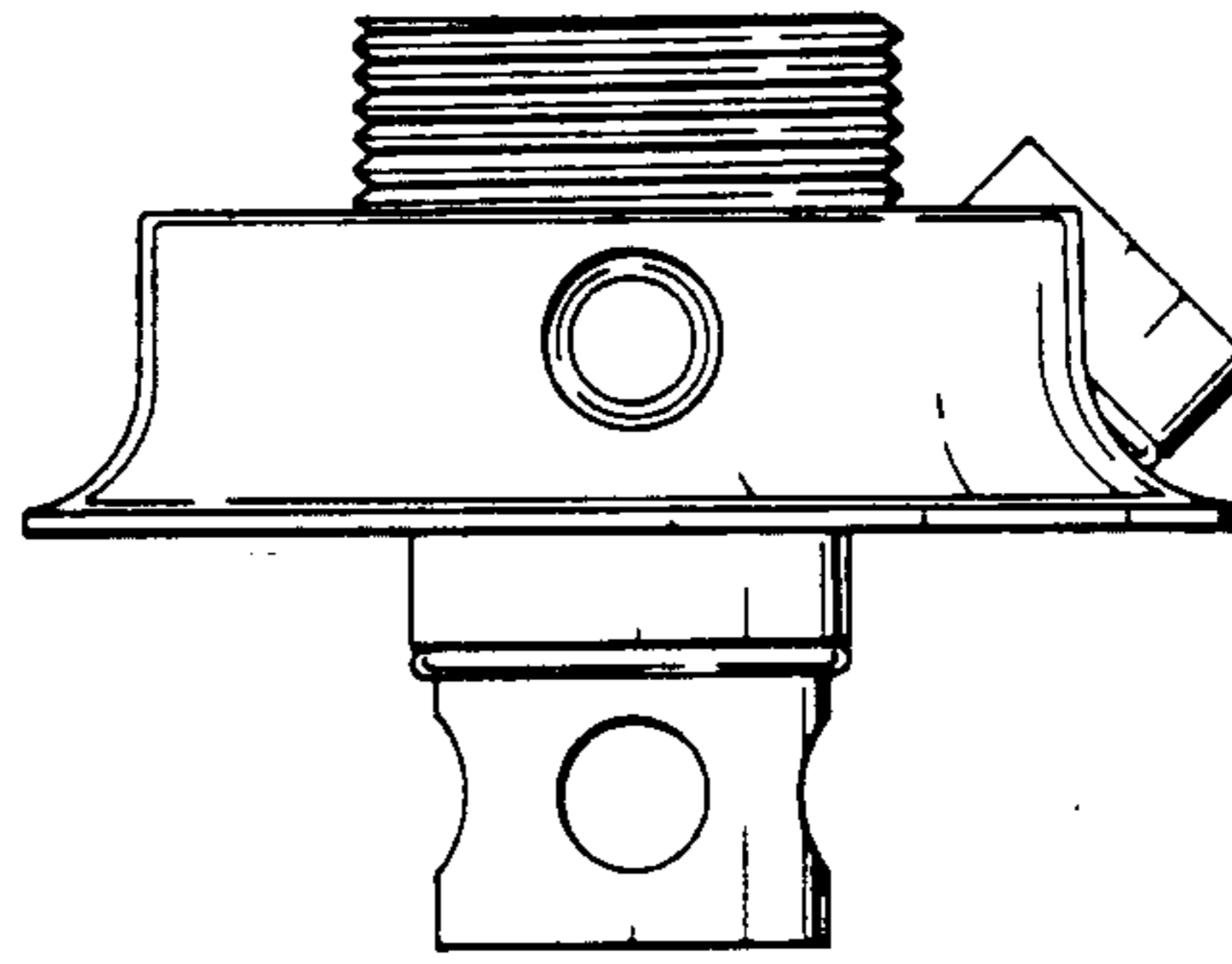


FIG. 6