

[54] **FAUCET**

[76] **Inventor: Jean-Claude Delepine, 23, rue Clapeyron, 75008 Paris, France**

[**] **Term: 14 Years**

[21] **Appl. No.: 183,165**

[22] **Filed: Apr. 19, 1988**

[30] **Foreign Application Priority Data**

Nov. 2, 1987 [XH] Hague DM/009602

[52] **U.S. Cl. D23/238**

[58] **Field of Search D23/238-243; 4/191, 192; 137/216, 801**

[56] **References Cited**

U.S. PATENT DOCUMENTS

D. 80,830	10/1936	Dobrick	D23/32
D. 101,443	5/1936	Dreyfuss .	
D. 217,966	7/1970	Korol	D23/32
D. 224,402	7/1972	Jenner	D23/25
D. 233,235	10/1974	Arbon	D23/23
D. 268,949	5/1983	Delepine	D23/32
D. 289,076	3/1987	Paul	D23/238
D. 289,916	5/1987	Delepine	D23/32
D. 291,115	7/1987	Delepine	D23/32
D. 291,234	8/1987	Bergmann et al.	D23/238
D. 291,235	8/1987	Bergmann et al.	D23/238
D. 291,590	8/1987	Bengtsson	D23/238
D. 301,163	5/1989	Oberdorfer	D23/238
D. 309,655	7/1990	Reinecke	D23/238
1,383,886	7/1921	Webb	4/192

1,406,030	2/1922	Kelly .	
1,408,375	2/1922	Manelis .	
1,417,583	5/1922	Stratton	4/192
1,512,193	7/1922	Berven	4/591
2,679,652	5/1951	Eyring	4/181
2,993,213	2/1959	Carroll	4/591
4,231,123	11/1980	Cheng	4/651
4,334,328	6/1982	Delepine	4/191
4,513,458	4/1985	Delepine	4/192

FOREIGN PATENT DOCUMENTS

2219893	12/1972	Fed. Rep. of Germany	4/192
740490	1/1933	France	4/192
161778	5/1933	Switzerland	4/192
201451	8/1923	United Kingdom	4/591
576928	4/1946	United Kingdom	4/192

Primary Examiner—James R. Largen
Attorney, Agent, or Firm—Fisher, Christen & Sabol

[57] **CLAIM**

The ornamental design for a faucet, as shown and described.

DESCRIPTION

FIG. 1 is a perspective view taken from the top, front and right side of a faucet showing my new design; FIG. 2 is a front elevational view thereof; FIG. 3 is a rear elevational view thereof; FIG. 4 is a right side elevational view thereof, the left side being a mirror image of the right side shown; FIG. 5 is a top plan view thereof; and FIG. 6 is a bottom plan view thereof.

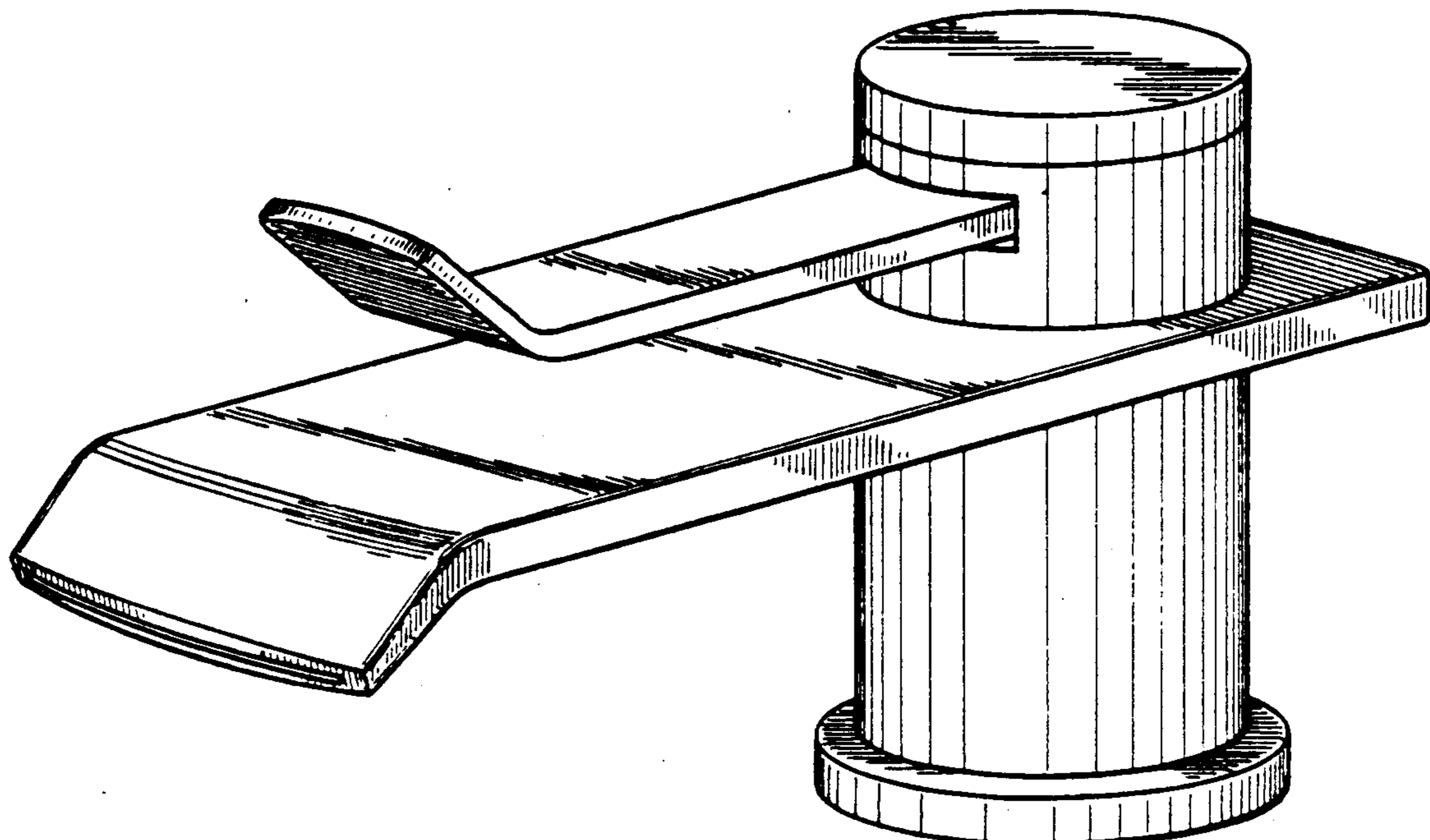


FIG. 1

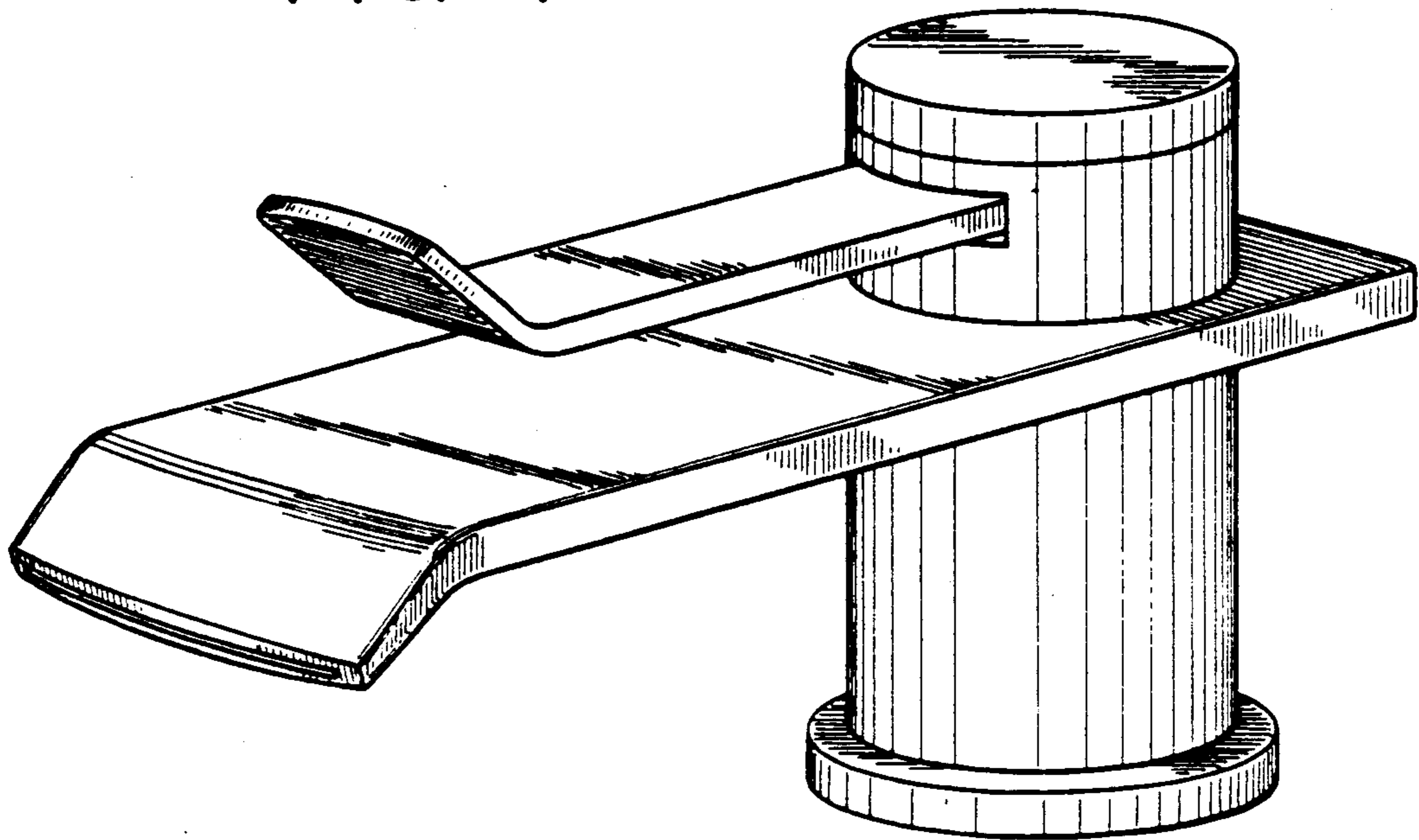


FIG. 2

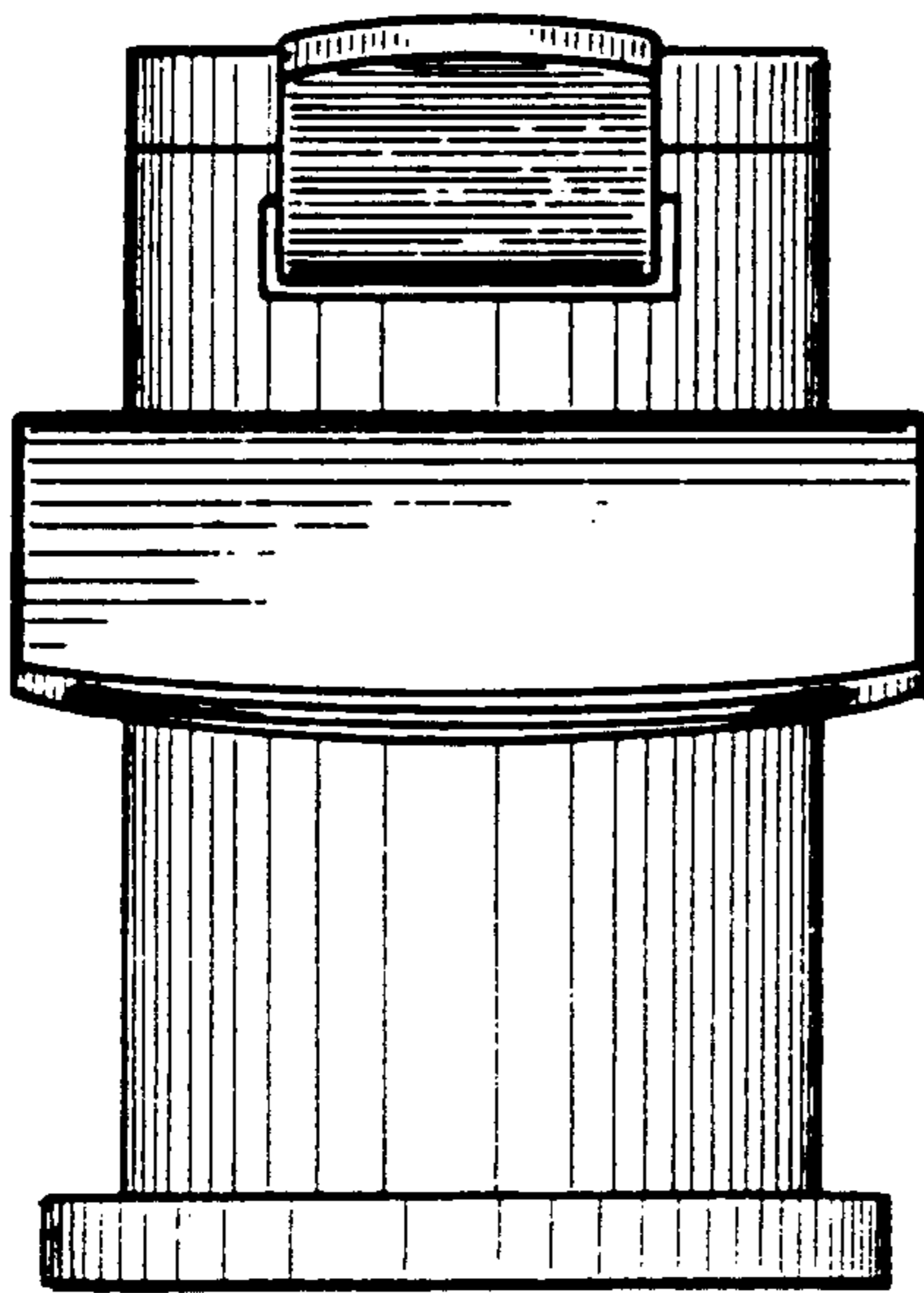


FIG. 3

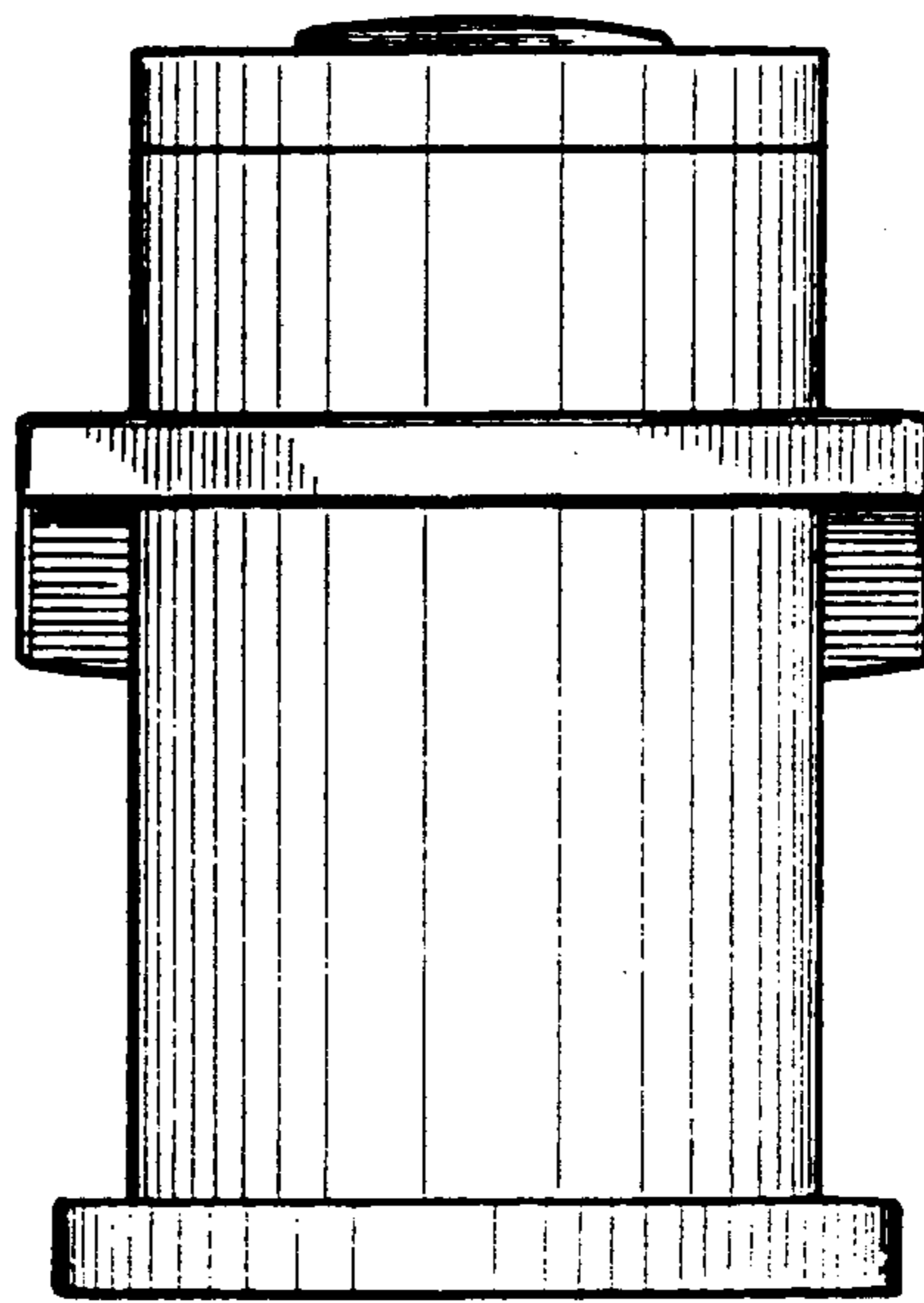


FIG. 4

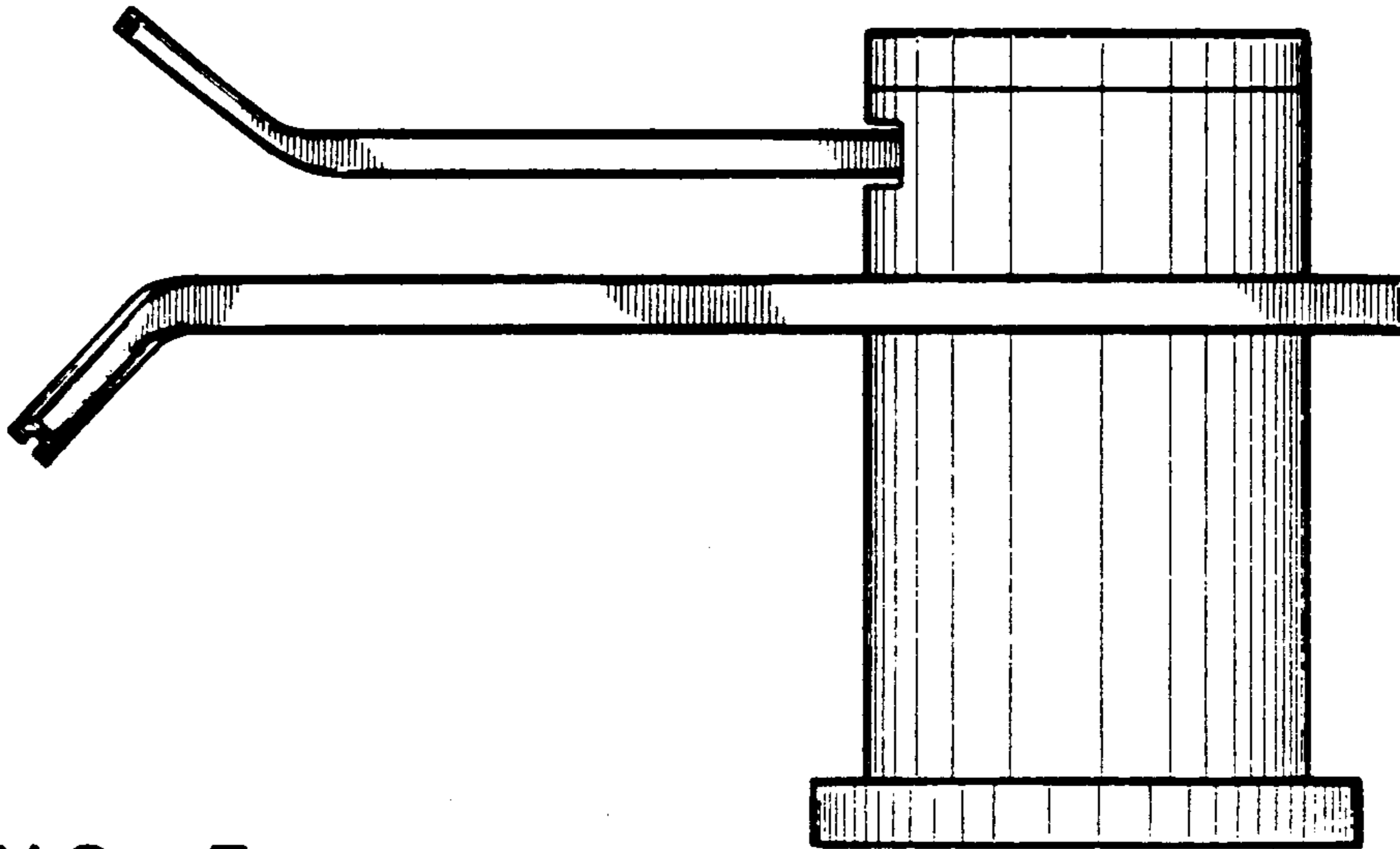


FIG. 5

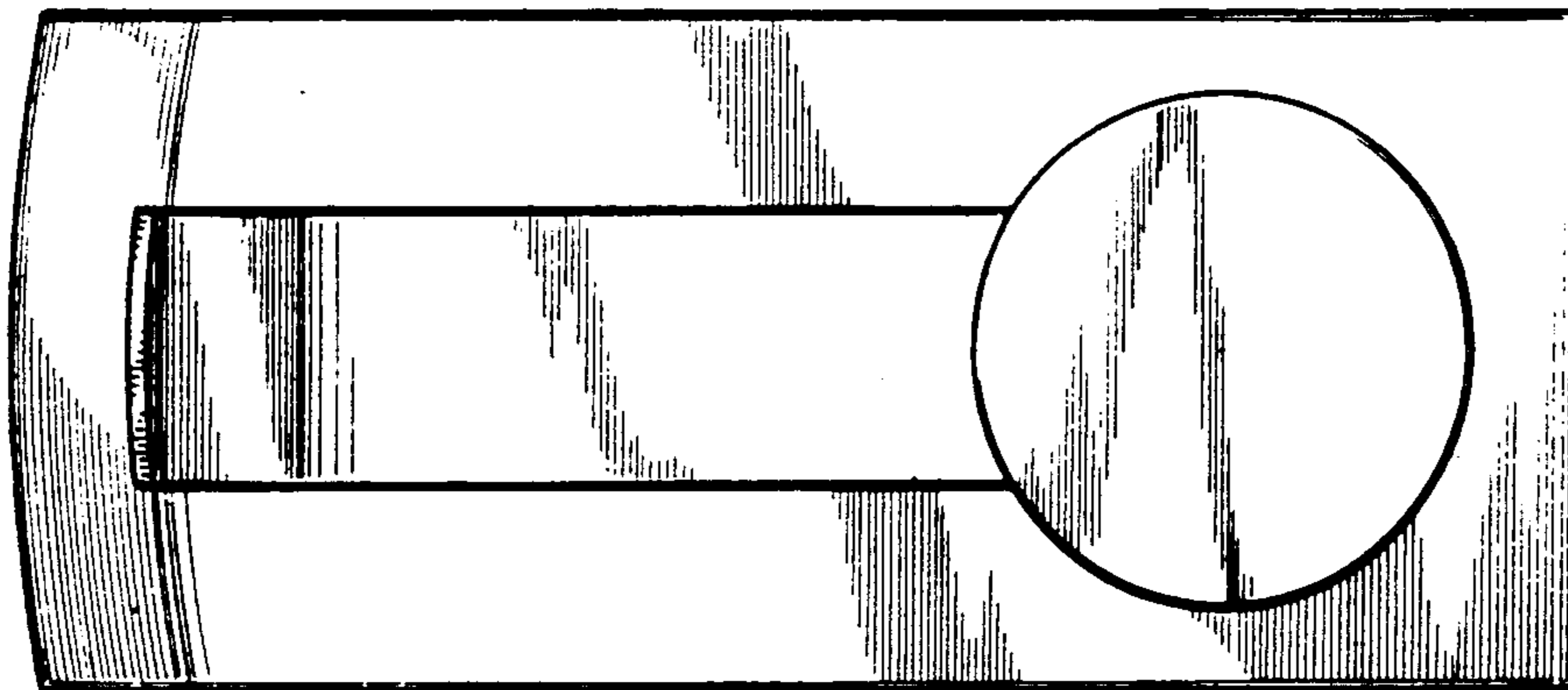


FIG. 6

