

[54] **VALVE**

[75] **Inventor: Sören N. Henriksson, Kallered, Sweden**

[73] **Assignee: Aktiebolaget Electrolux, Stockholm, Sweden**

[**] **Term: 14 Years**

[21] **Appl. No.: 609,086**

[22] **Filed: Nov. 2, 1990**

Related U.S. Application Data

[63] Continuation of Ser. No. 828,290, Feb. 11, 1986, abandoned.

[30] **Foreign Application Priority Data**

Aug. 15, 1985 [SE] Sweden 851926
[52] **U.S. Cl.** **D23/233**
[58] **Field of Search** D23/207-210,
D23/233-237, 244-249; 137/515, 515.5,
515.78, 533.11

[56]

References Cited

U.S. PATENT DOCUMENTS

D. 195,296	5/1963	Willinger	D23/209
D. 217,246	4/1970	Armand	D23/235
D. 218,560	9/1970	Lovitz	D23/209
D. 232,551	8/1974	Grover	D23/209
D. 248,485	7/1978	Strauss	D23/209
D. 269,633	7/1983	Willinger et al.	D23/237
D. 274,745	7/1984	Want	D23/209
2,461,206	2/1949	Fousp et al.	137/533.11
2,853,092	9/1958	Klikunas	137/202
3,256,905	6/1966	Griswold et al.	137/515 X
3,401,751	9/1968	Loftin et al.	137/202 X
3,955,542	5/1976	Skaggs	137/515 X

Primary Examiner—James R. Largen
Attorney, Agent, or Firm—Pearne, Gordon, McCoy & Granger

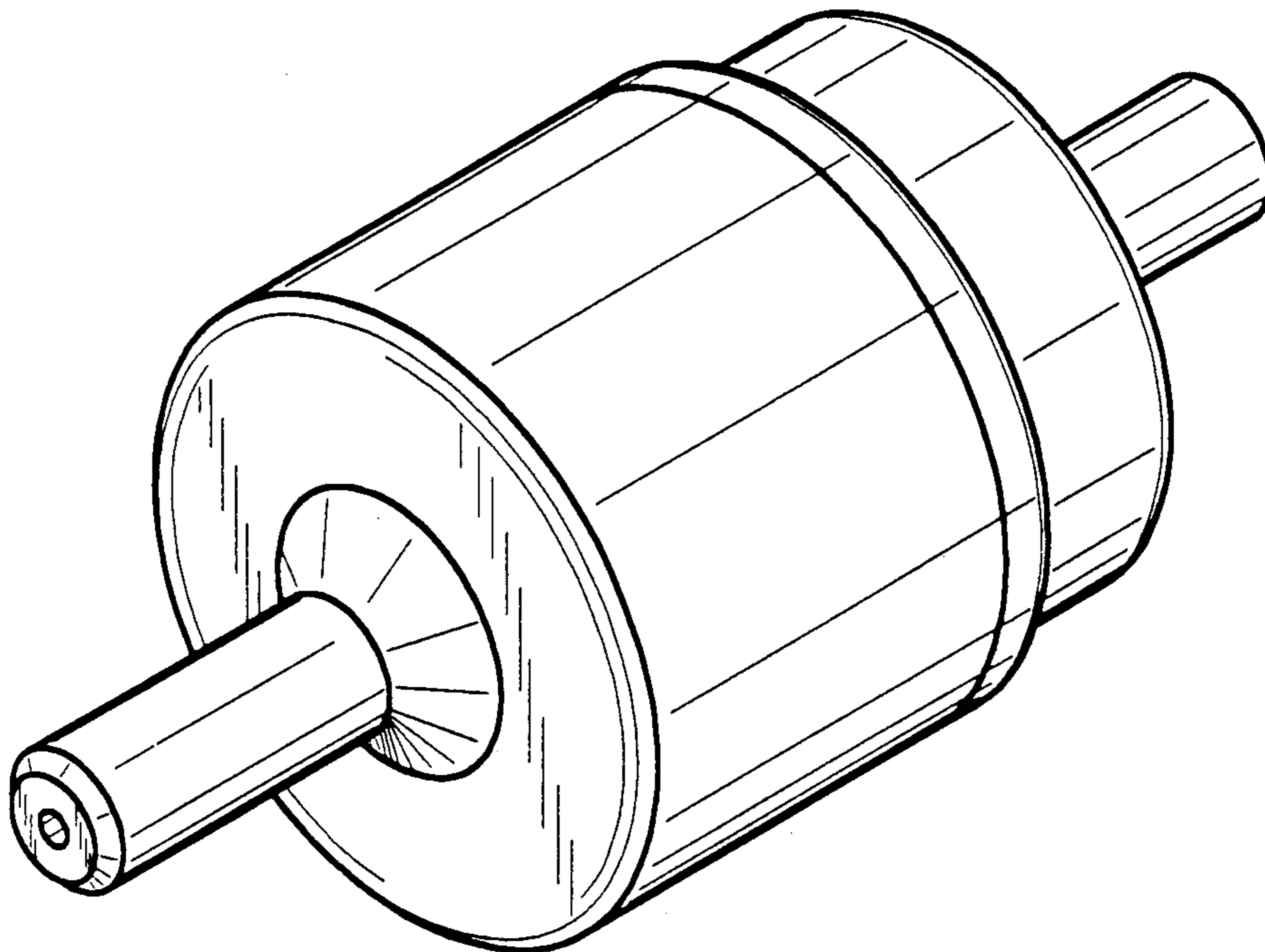
[57]

CLAIM

The ornamental design for a valve, as shown and described.

DESCRIPTION

FIG. 1 is a perspective view of a valve showing my new design;
FIG. 2 is a side elevational view thereof; the other sides being the same as the sides shown;
FIG. 3 is a front elevational view thereof; and
FIG. 4 is a rear elevational view thereof.



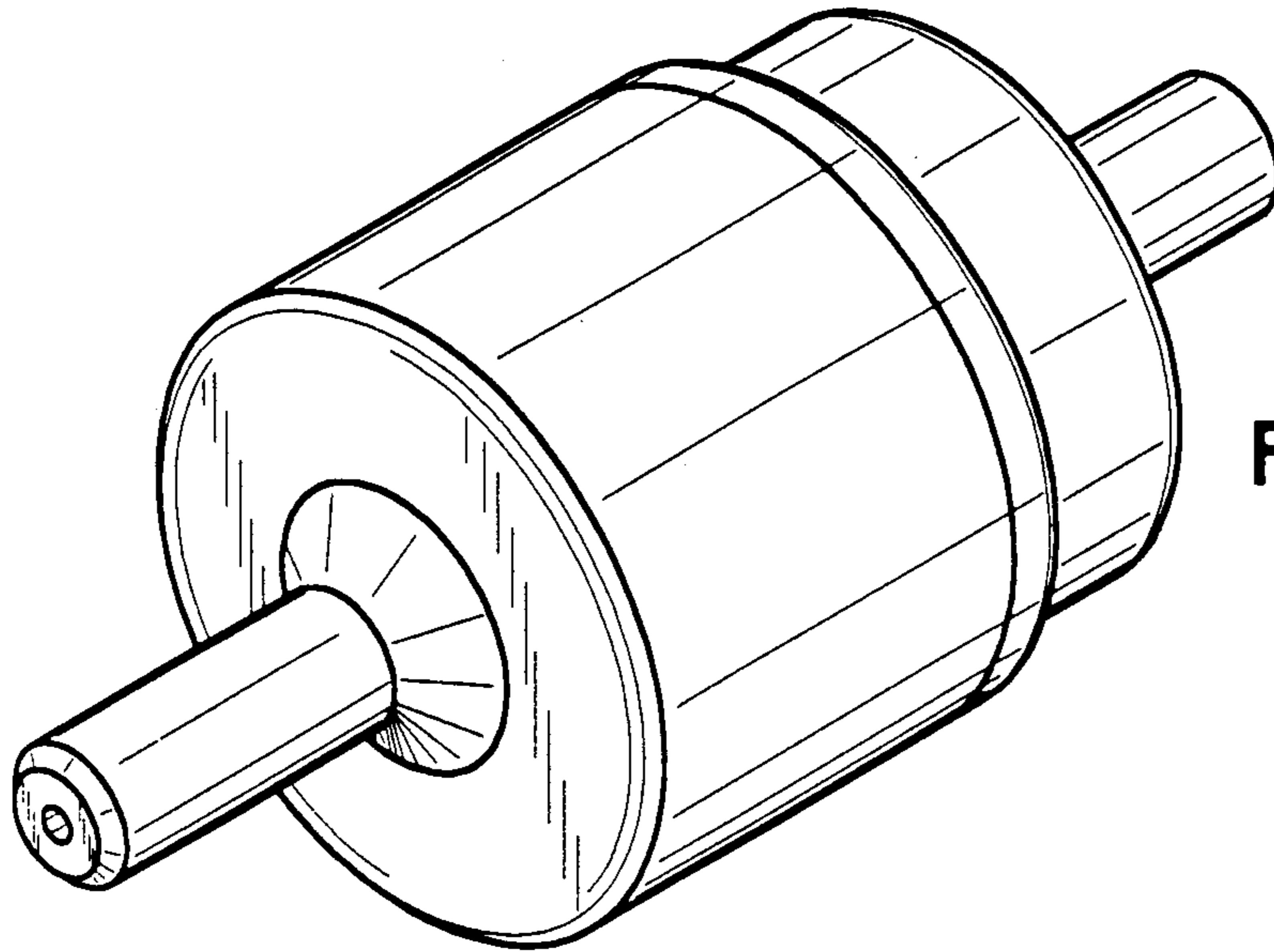


Fig.1

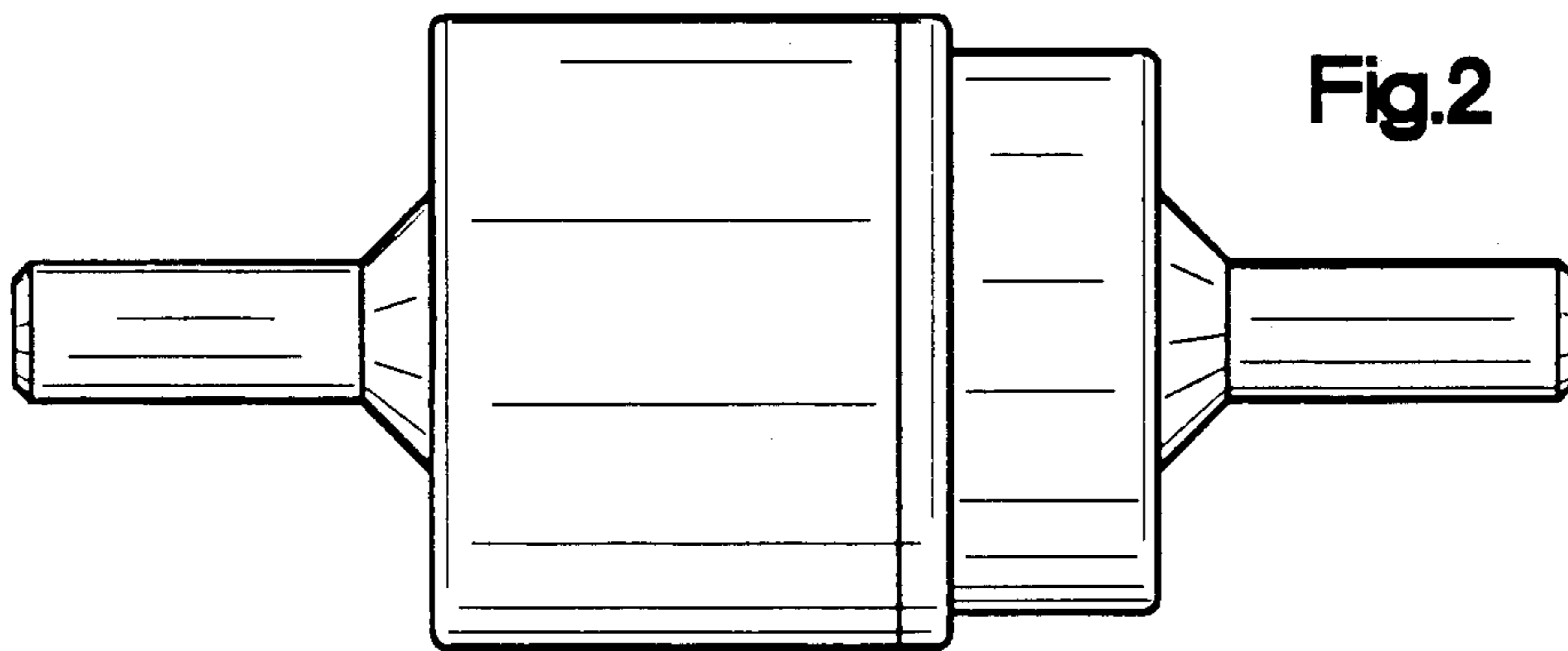


Fig.2

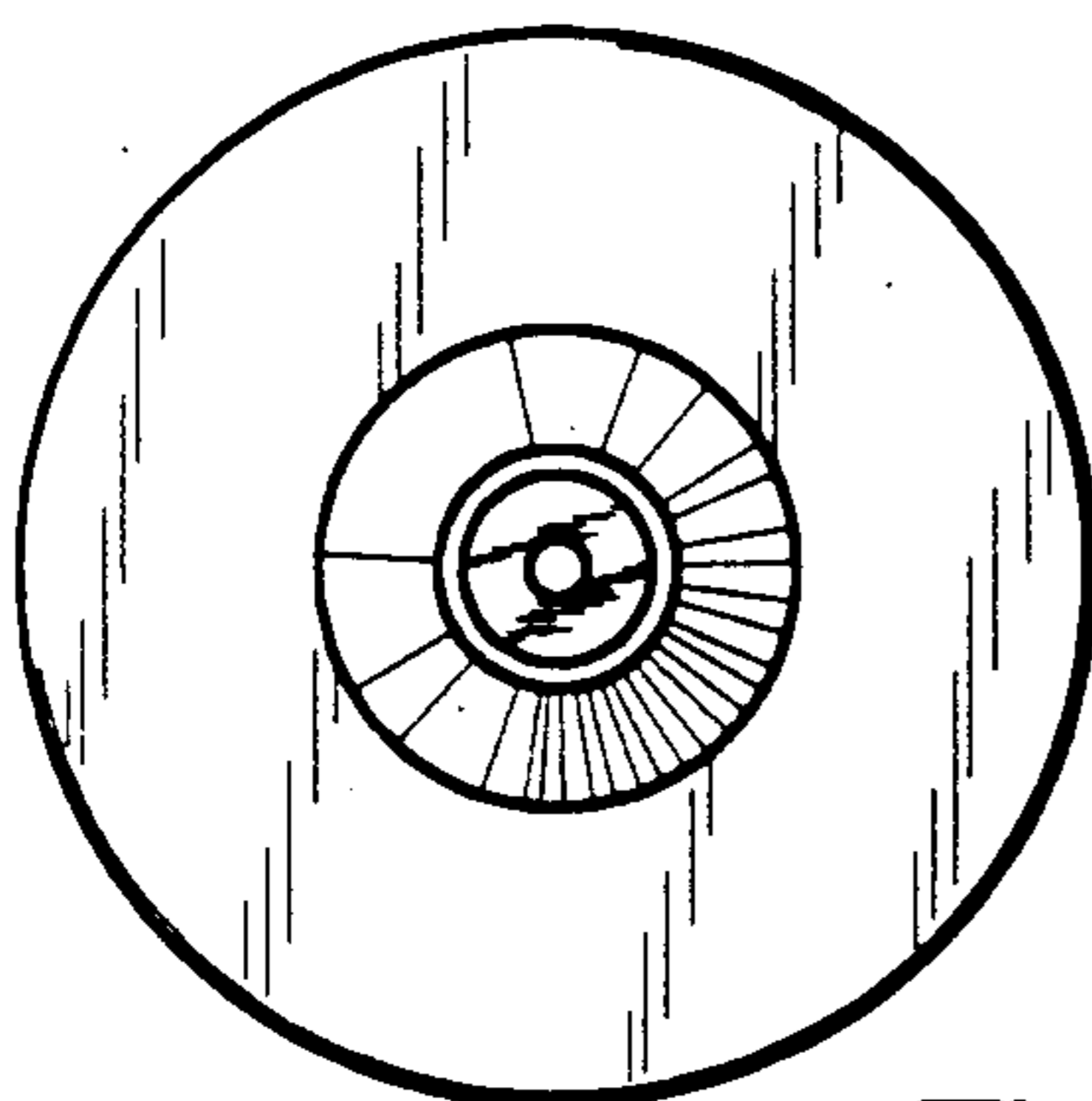


Fig.3

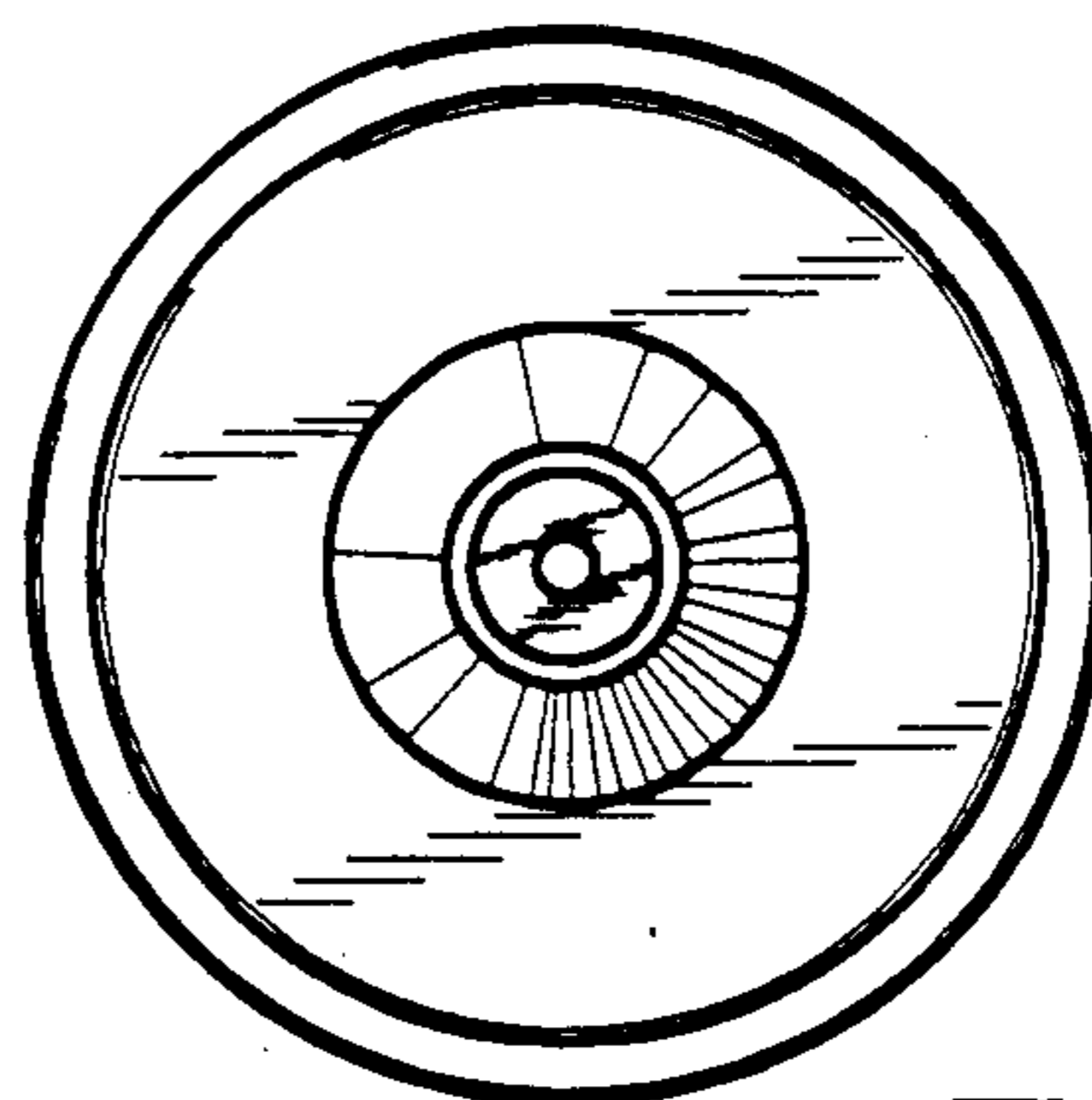


Fig.4